

US00D760356S

(12) **United States Design Patent**
Berger

(10) **Patent No.:** **US D760,356 S**
(45) **Date of Patent:** **** Jun. 28, 2016**

(54) **FAUCET HANDLE**

(71) Applicant: **AS IP Holdco, LLC**, Piscataway, NJ
(US)

(72) Inventor: **Ryan Robert Berger**, Columbus, OH
(US)

(73) Assignee: **AS IP Holdco, LLC**, Piscataway, NJ
(US)

(**) Term: **15 Years**

(21) Appl. No.: **29/527,075**

(22) Filed: **May 15, 2015**

(51) **LOC (10) Cl.** **23-01**

(52) **U.S. Cl.**
USPC **D23/251**

(58) **Field of Classification Search**
USPC D23/238-243, 249-253
CPC E03C 1/04; E03C 1/0401; E03C 1/0402;
E03C 1/0404; F16K 31/602; F16K 31/605;
F16K 31/607

See application file for complete search history.

(56) **References Cited**

U.S. PATENT DOCUMENTS

D292,226	S	*	10/1987	Hill	D23/252
5,222,672	A		6/1993	Hart et al.		
5,340,656	A		8/1994	Sachs et al.		
5,394,906	A		3/1995	Farley		
D378,123	S	*	2/1997	Warshawsky	D23/242
6,214,279	B1		4/2001	Yang et al.		
6,817,379	B2		11/2004	Perla		
6,936,212	B1		8/2005	Crawford		

7,155,759	B2		1/2007	Milne		
8,028,714	B2		10/2011	Chen		
D692,108	S	*	10/2013	Yu	D23/242
2008/0178957	A1		7/2008	Thomas et al.		
2013/0248005	A1		9/2013	Pitsch et al.		

OTHER PUBLICATIONS

Sosnovsky et al., Al Mashrabiya, <http://www.imj.org.il/exhibitions/2007/dream-makers/15dsys.html>, 2007.

ModernTech, Rapid Prototyping Services, <http://www.moderntechmech.com/3D-Printer/rapid-prototyping-services.html>, Apr. 5, 2012.

Houzz Announces 3-D Furniture Printing, <http://www.houzz.com/ideabooks/25459991/list/houzz-announces-3-d-furniture-printing>, Apr. 1, 2014.

* cited by examiner

Primary Examiner — Robert Delehanty

(74) *Attorney, Agent, or Firm* — Kramer Levin Naftalis & Frankel LLP

(57) **CLAIM**

The ornamental design for a faucet handle, as shown and described.

DESCRIPTION

FIG. 1 is a perspective view of a faucet handle showing the new design;

FIG. 2 is a top plan view thereof;

FIG. 3 is a side elevational view thereof, all other sides being mirror images of the side shown; and,

FIG. 4 is a bottom plan view thereof.

The features shown in broken lines form no part of the claimed design.

1 Claim, 2 Drawing Sheets

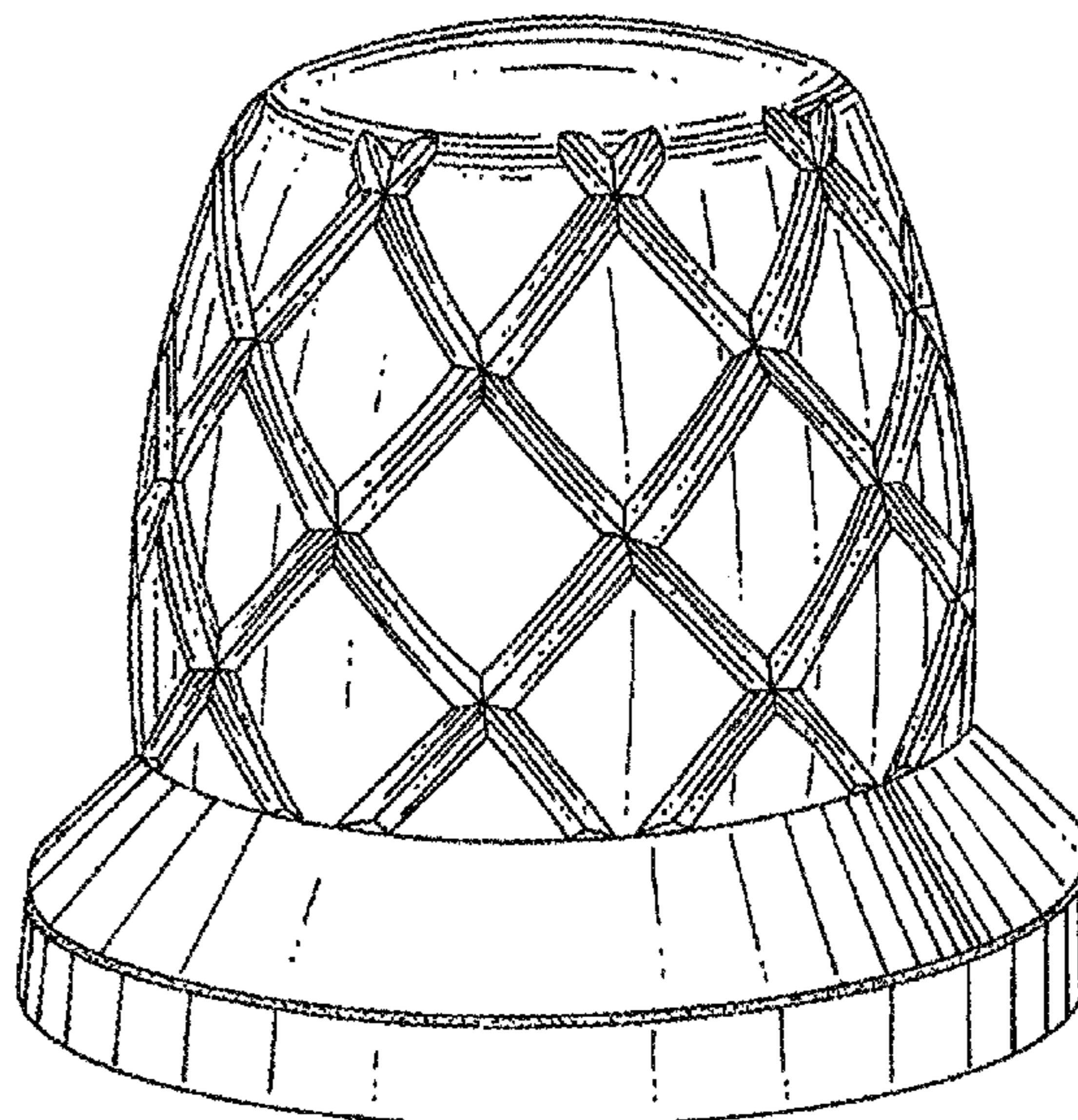


FIG. 1

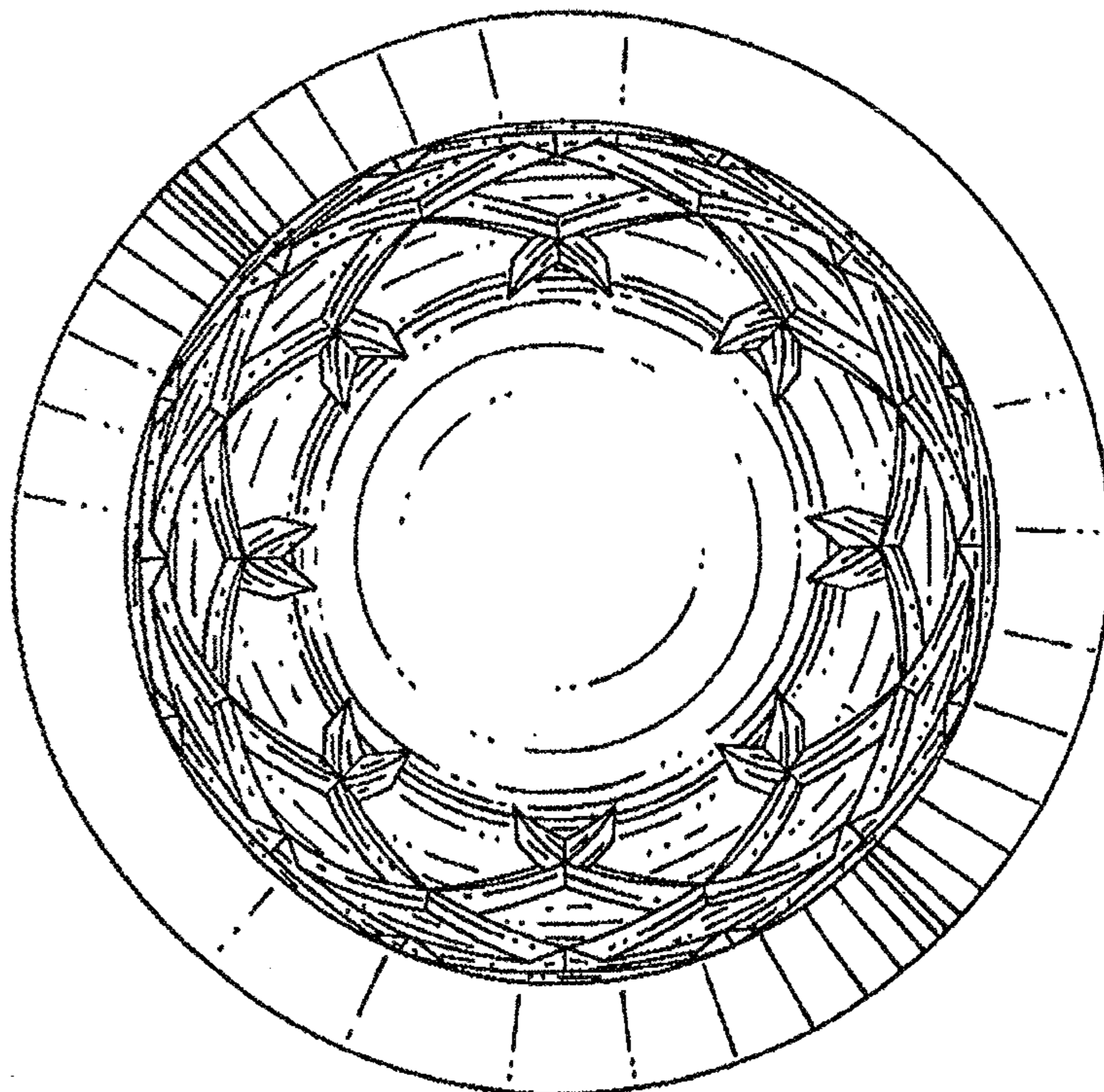
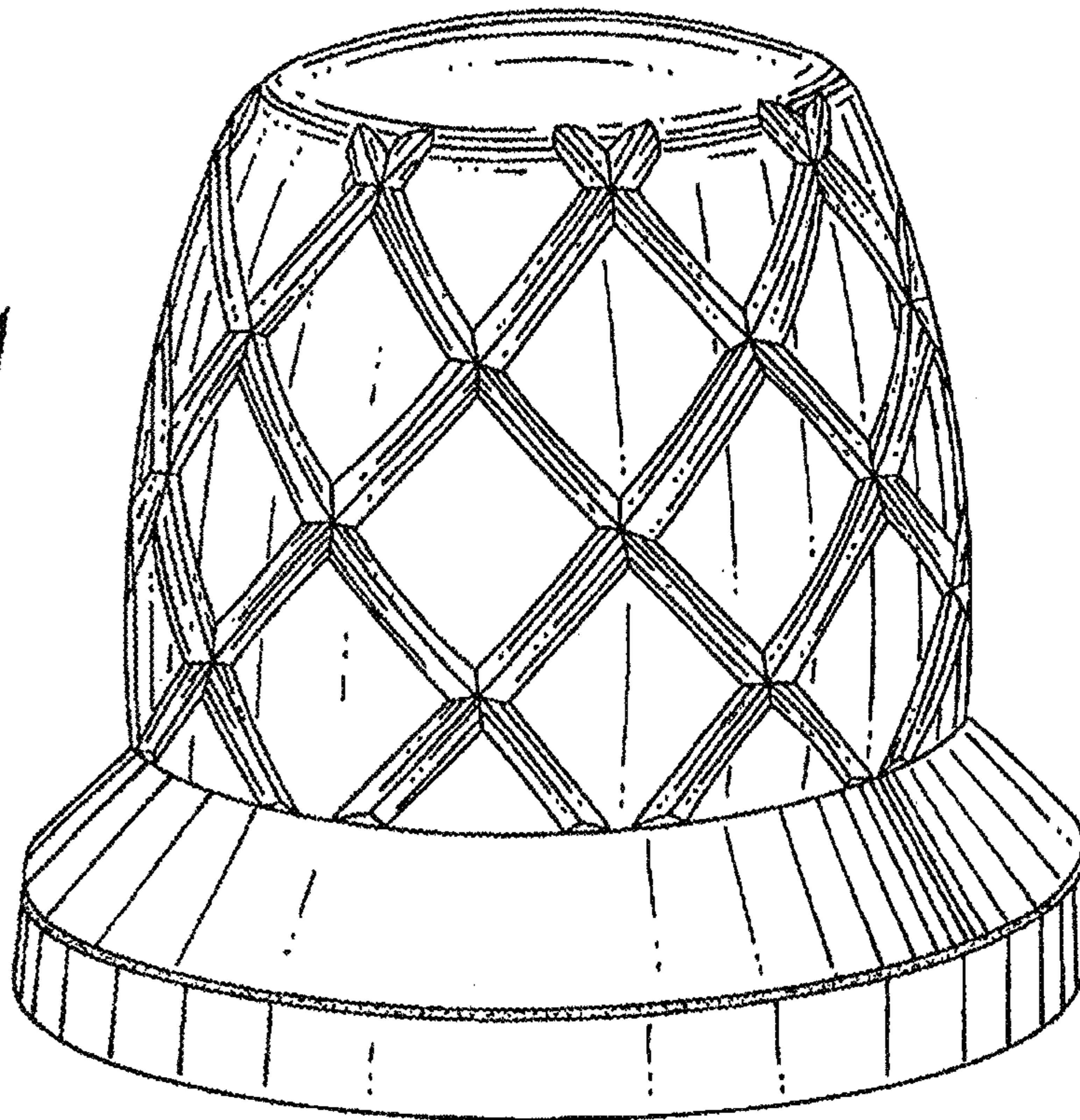


FIG. 2

FIG. 3

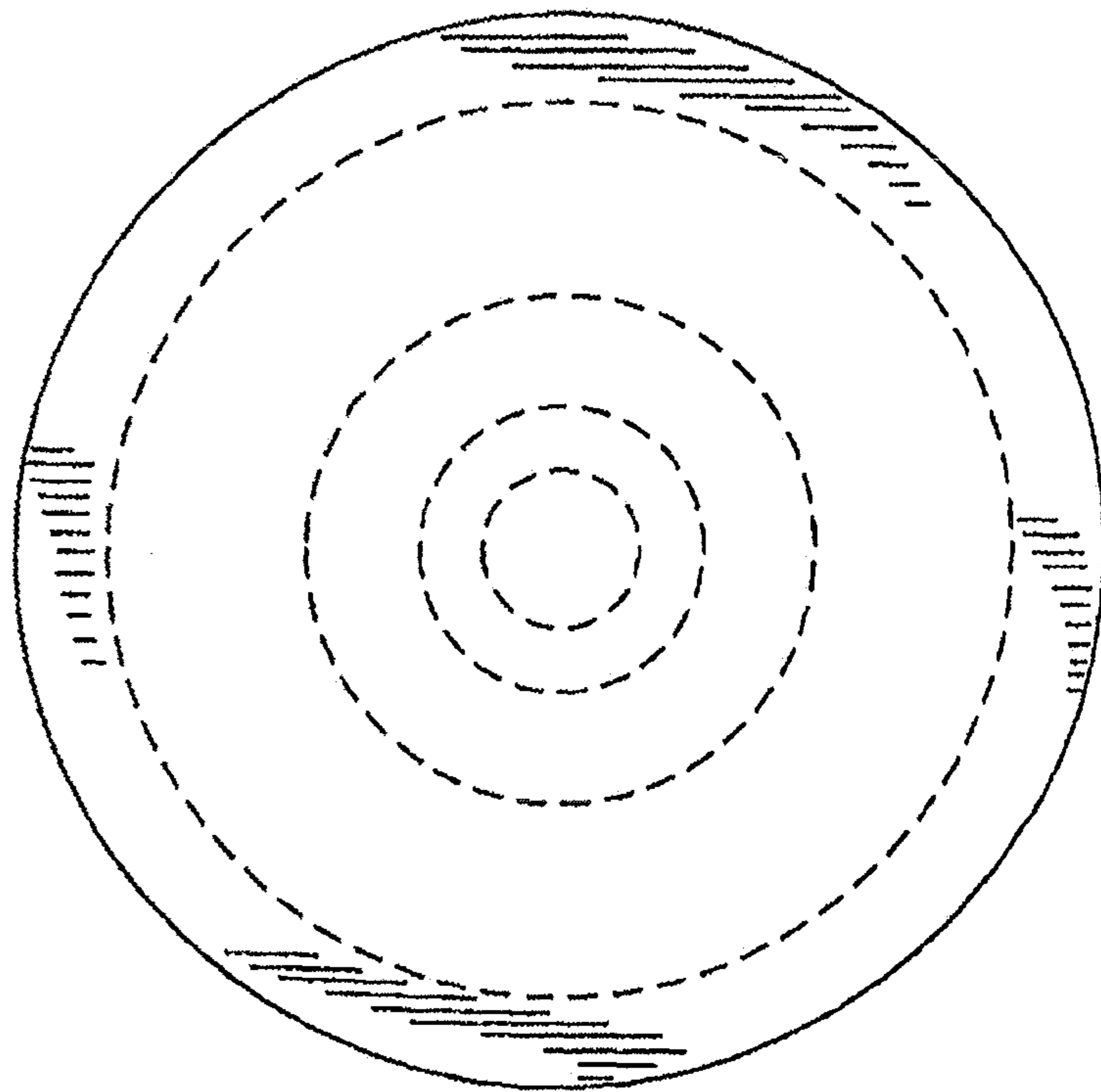
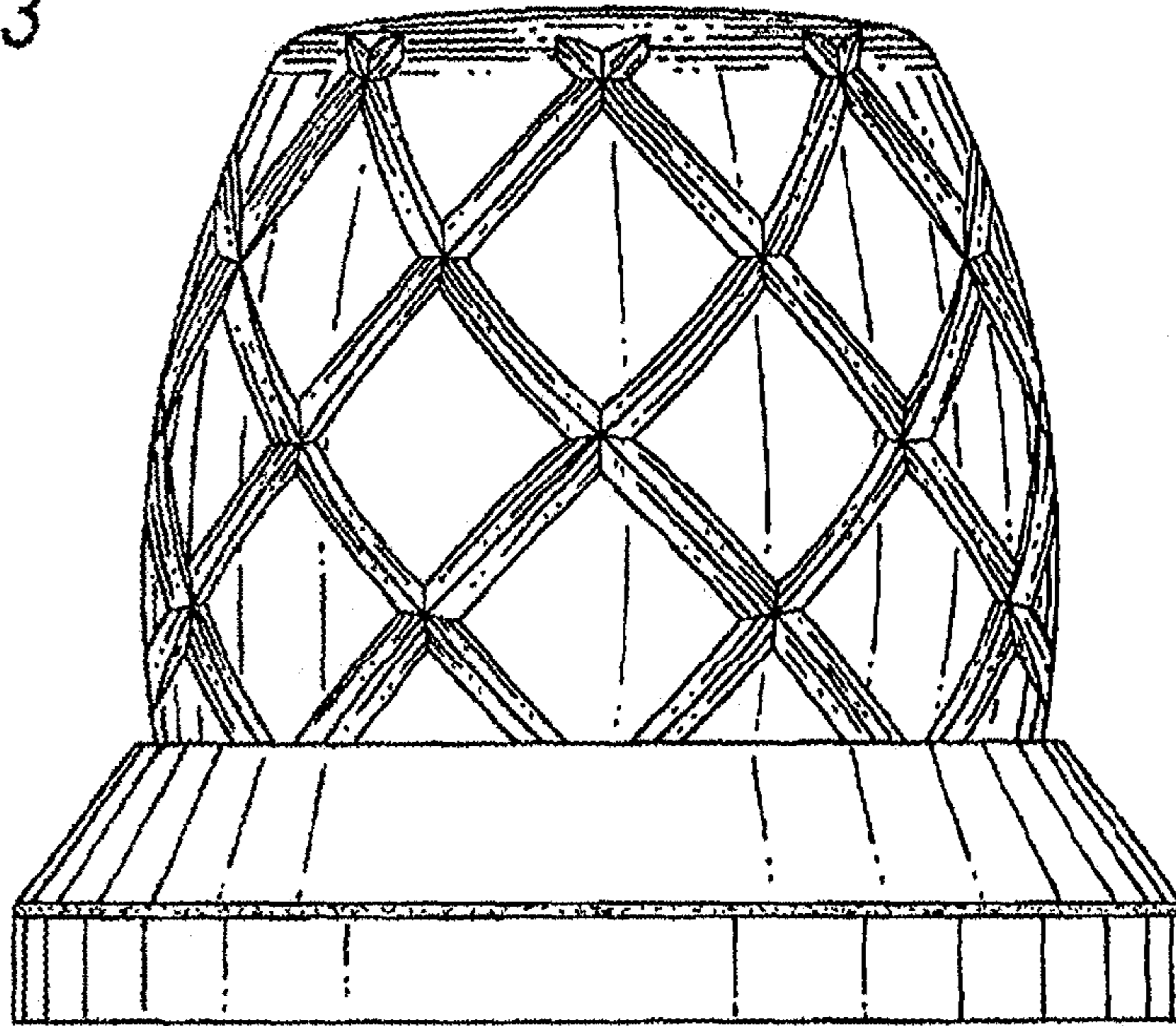


FIG. 4