



US00D760354S

(12) **United States Design Patent**
Citterio

(10) **Patent No.:** **US D760,354 S**
(45) **Date of Patent:** **** Jun. 28, 2016**

(54) **FAUCET**

(71) Applicant: **Hansgrohe SE**, Schiltach (DE)

(72) Inventor: **Antonio Citterio**, Milan (IT)

(73) Assignee: **Hansgrohe SE**, Schiltach (DE)

(**) Term: **15 Years**

(21) Appl. No.: **29/535,952**

(22) Filed: **Aug. 12, 2015**

(30) **Foreign Application Priority Data**

Feb. 17, 2015 (EM) 002635201-0001

(51) **LOC (10) Cl.** **23-02**

(52) **U.S. Cl.**
USPC **D23/238**

(58) **Field of Classification Search**
USPC D23/238, 241–243, 249, 250, 252,
D23/254–255, 257

CPC E03C 1/04; E03C 1/0401; E03C 1/0402;
E03C 1/0404

See application file for complete search history.

(56) **References Cited**

U.S. PATENT DOCUMENTS

D582,008 S *	12/2008	Citterio	D23/238
D698,421 S *	1/2014	Schoenherr	D23/238
D700,956 S *	3/2014	Schoenherr	D23/238
D714,426 S *	9/2014	Kulig	D23/252
D726,880 S *	4/2015	Kington	D23/238

* cited by examiner

Primary Examiner — Robert Delehanty

(74) *Attorney, Agent, or Firm* — Lora J. Graentzdoerffer

(57) **CLAIM**

The ornamental design for a faucet, as shown and described.

DESCRIPTION

FIG. 1 is a perspective view of a faucet showing my design;
FIG. 2 is a front elevation view;
FIG. 3 is a rear elevation view;
FIG. 4 is a side elevation view;
FIG. 5 is a top plan view; and,
FIG. 6 is a bottom plan view.

The broken lines indicate portions of the faucet that form no part of the claimed design.

1 Claim, 6 Drawing Sheets

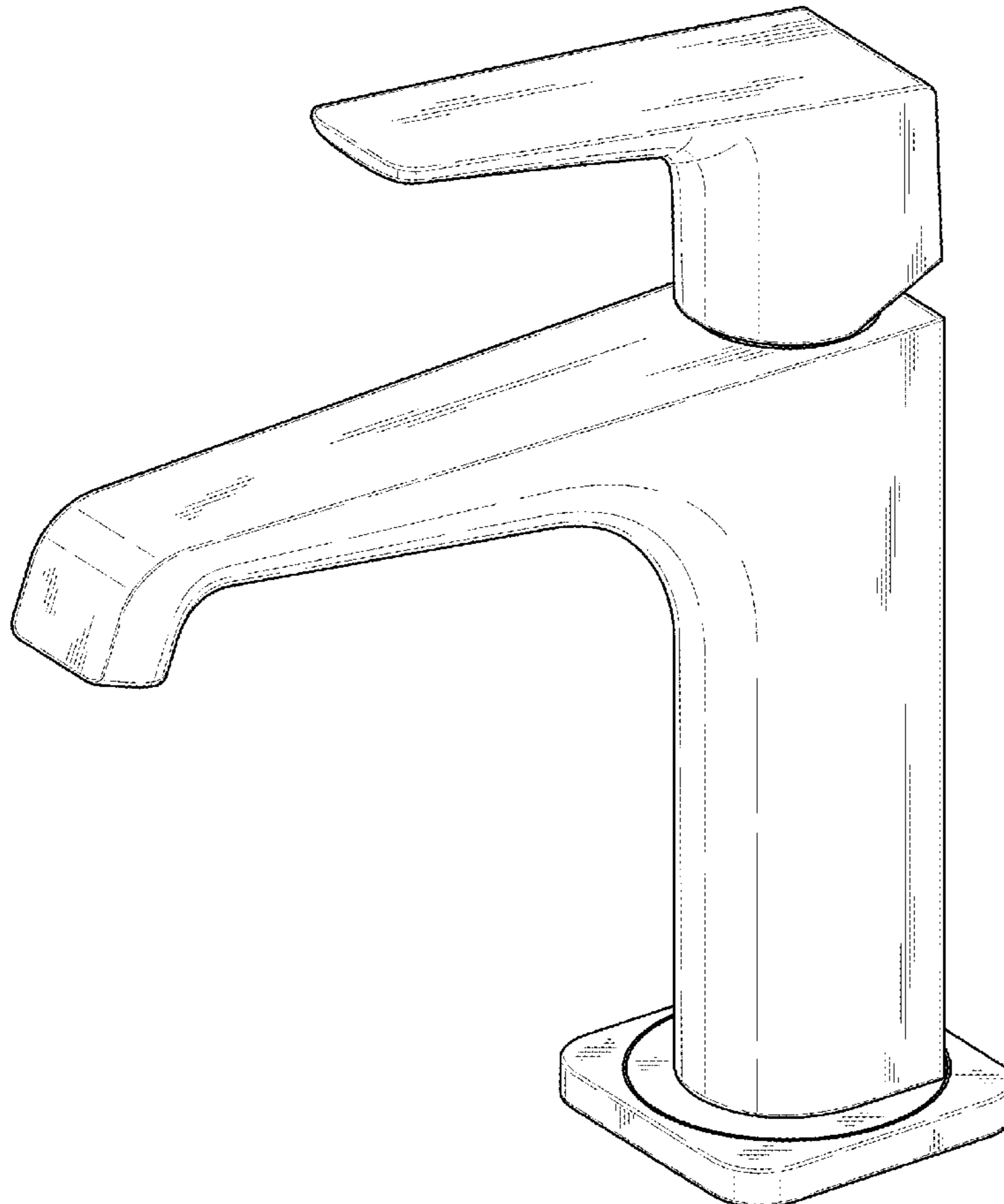


FIG. 1

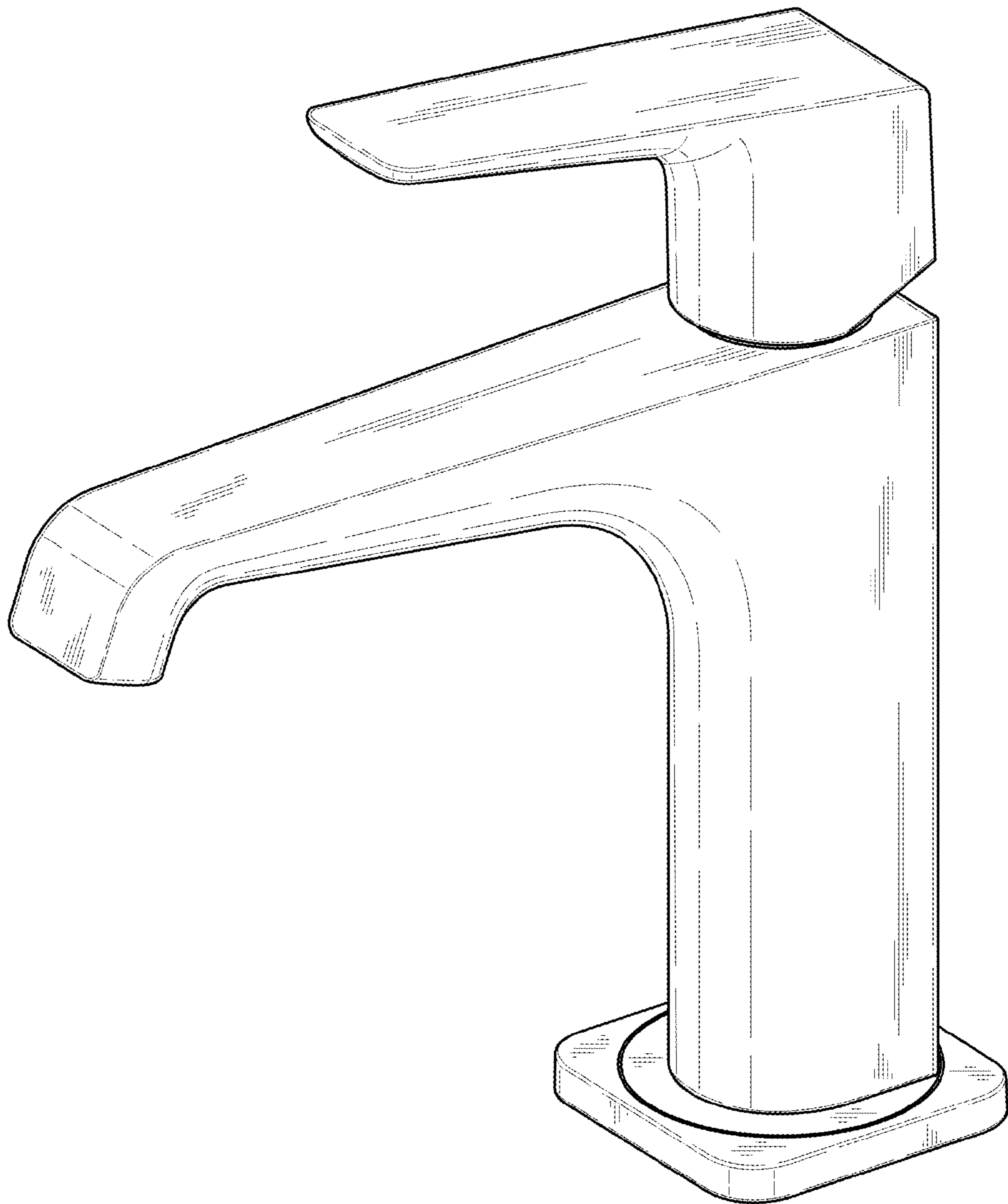


FIG. 2

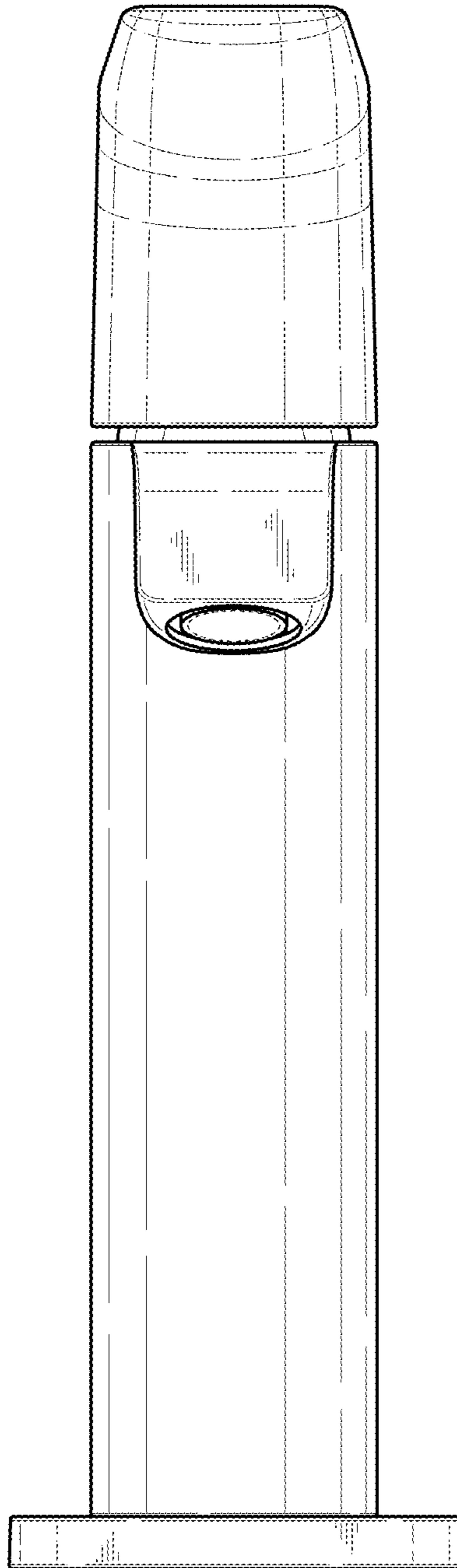


FIG. 3

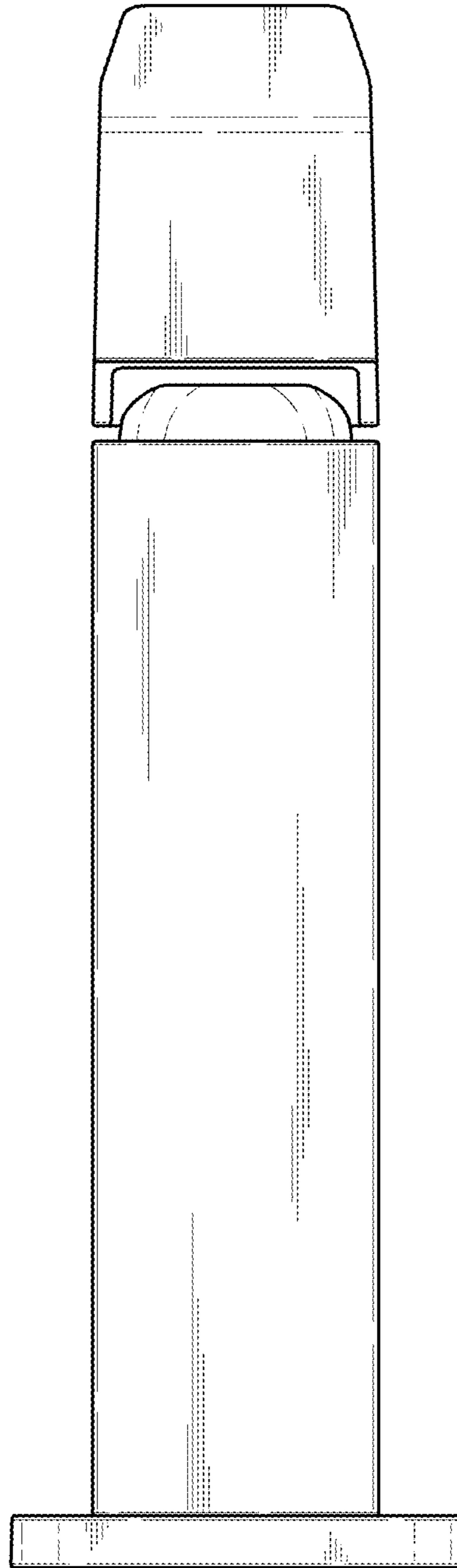


FIG. 4

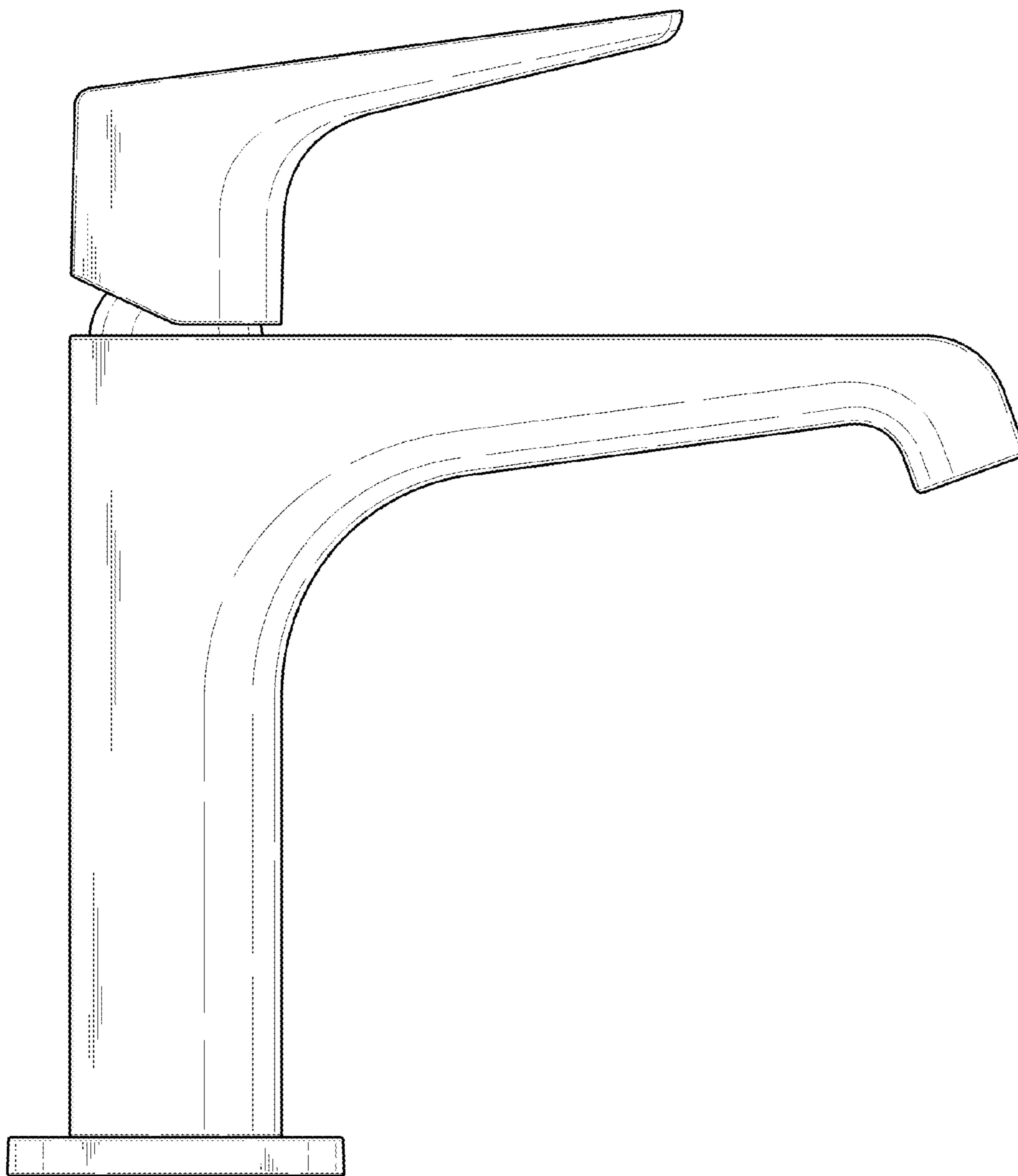


FIG. 5

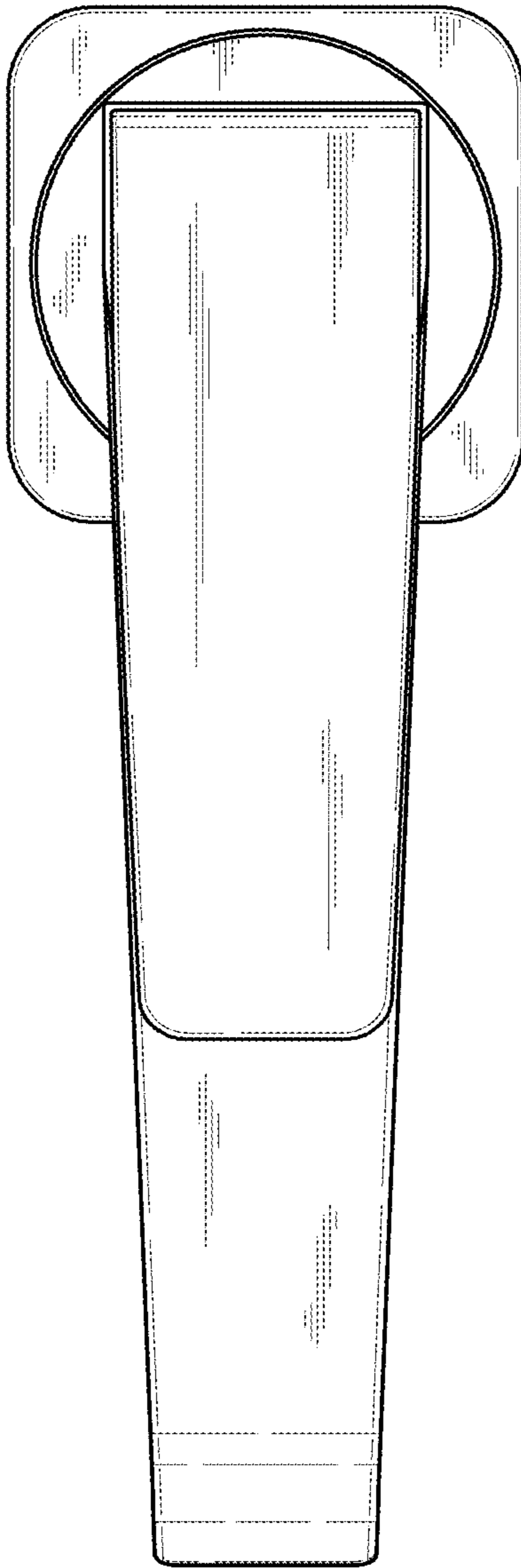


FIG. 6

