



US00D760353S

(12) **United States Design Patent**
Mangold

(10) **Patent No.:** **US D760,353 S**

(45) **Date of Patent:** **** Jun. 28, 2016**

(54) **VALVE**

(71) Applicant: **FESTO AG & Co. KG**, Esslingen (DE)

(72) Inventor: **Simone Mangold**, Esslingen (DE)

(73) Assignee: **FESTO AG & CO. KG**, Esslingen (DE)

(**) Term: **15 Years**

(21) Appl. No.: **29/530,842**

(22) Filed: **Jun. 19, 2015**

(30) **Foreign Application Priority Data**

Dec. 23, 2014 (WO) 861956301

(51) **LOC (10) CL.** **23-01**

(52) **U.S. CL.**
USPC **D23/233**

(58) **Field of Classification Search**
USPC D23/233-249, 213, 252; 137/487.5, 12,
137/14, 554, 556, 553; 251/129.12, 129.02,
251/129.03, 291, 292, 128, 129.11, 304,
251/129.13, 111, 93, 101, 97; D13/158,
D13/162, 164, 177, 184, 199
CPC F16K 31/0675; F16K 31/00; F16K 31/12;
F16K 31/043; F16K 31/055; F16K 31/44
See application file for complete search history.

(56) **References Cited**

U.S. PATENT DOCUMENTS

D322,657 S * 12/1991 Aarthun D23/233
D363,761 S * 10/1995 Eggleston D23/233
6,073,907 A * 6/2000 Schreiner, Jr. F16K 31/043
251/129.02

D461,873 S * 8/2002 Myran D23/233
7,048,251 B2 * 5/2006 Schreiner F16K 31/055
251/111
D638,521 S 5/2011 Matusche
D691,240 S * 10/2013 Iranyi D23/233
D691,701 S * 10/2013 Iranyi D23/233
8,632,054 B2 * 1/2014 Carlson F16K 31/44
251/128
D701,943 S 4/2014 Gaertner
D749,194 S * 2/2016 Yoshida D23/233

OTHER PUBLICATIONS

“System 8802 Continuous Classic” of Christian Burkert GmbH & Co, KG.

* cited by examiner

Primary Examiner — Cynthia Ramirez

Assistant Examiner — Gino Colan

(74) *Attorney, Agent, or Firm* — Hoffmann & Baron, LLP

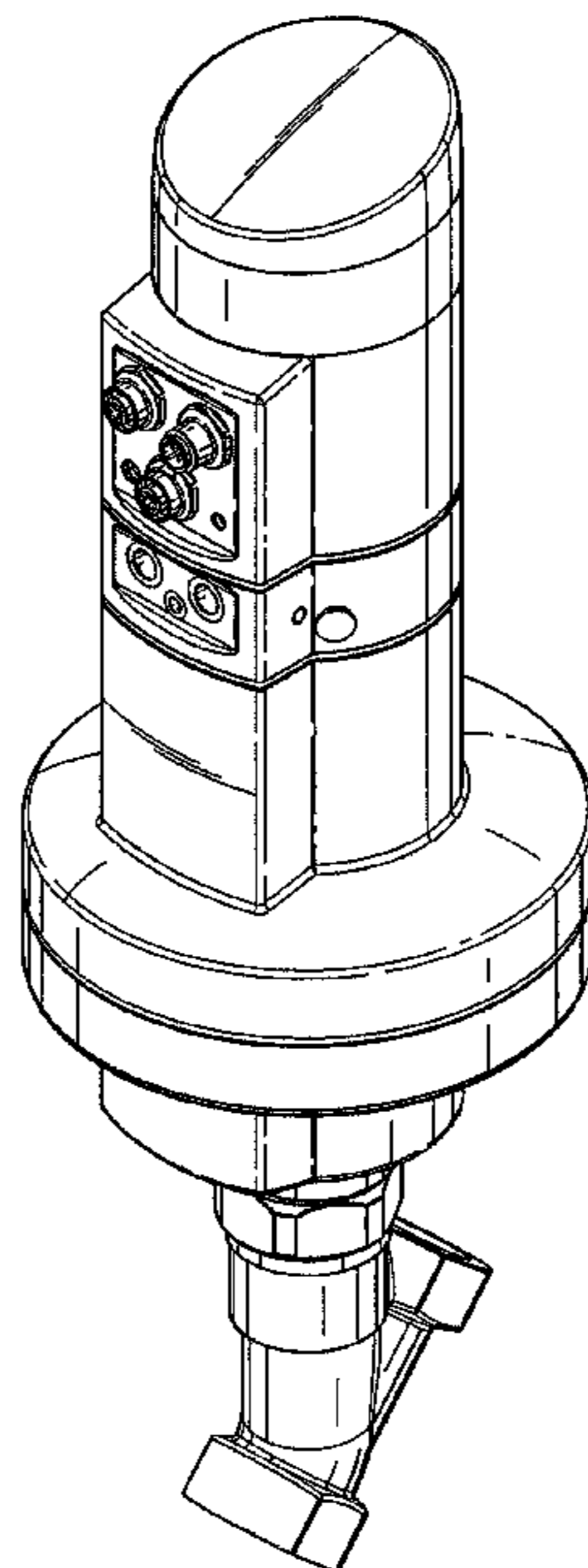
(57) **CLAIM**

The ornamental design for a valve, as shown and described.

DESCRIPTION

FIG. 1 is a top perspective view of a valve showing my new design;
FIG. 2 is a front view thereof;
FIG. 3 is a rear view thereof;
FIG. 4 is a left view thereof;
FIG. 5 is a right view thereof;
FIG. 6 is a top plan view thereof shown in a larger scale; and,
FIG. 7 is a bottom plan view thereof shown in a larger scale.
The broken line shown in the figures are included for the purpose of illustrating portions of the valve and form no part of the claimed design.

1 Claim, 7 Drawing Sheets



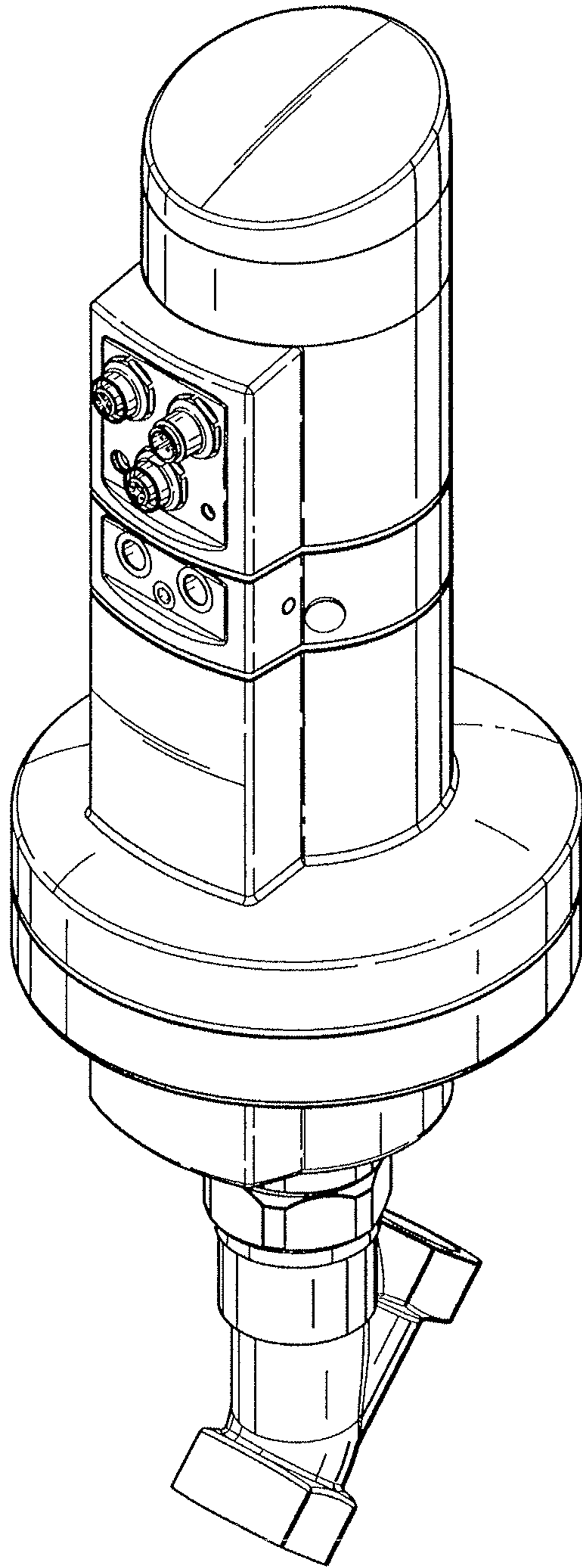


FIG. 1

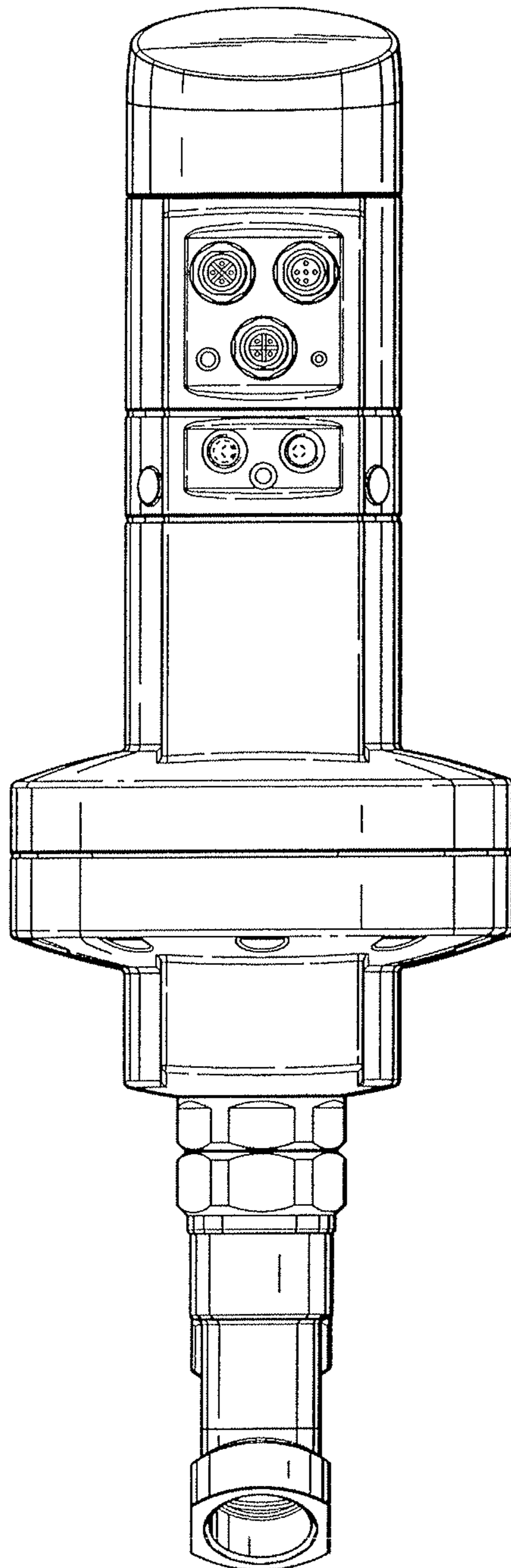


FIG. 2

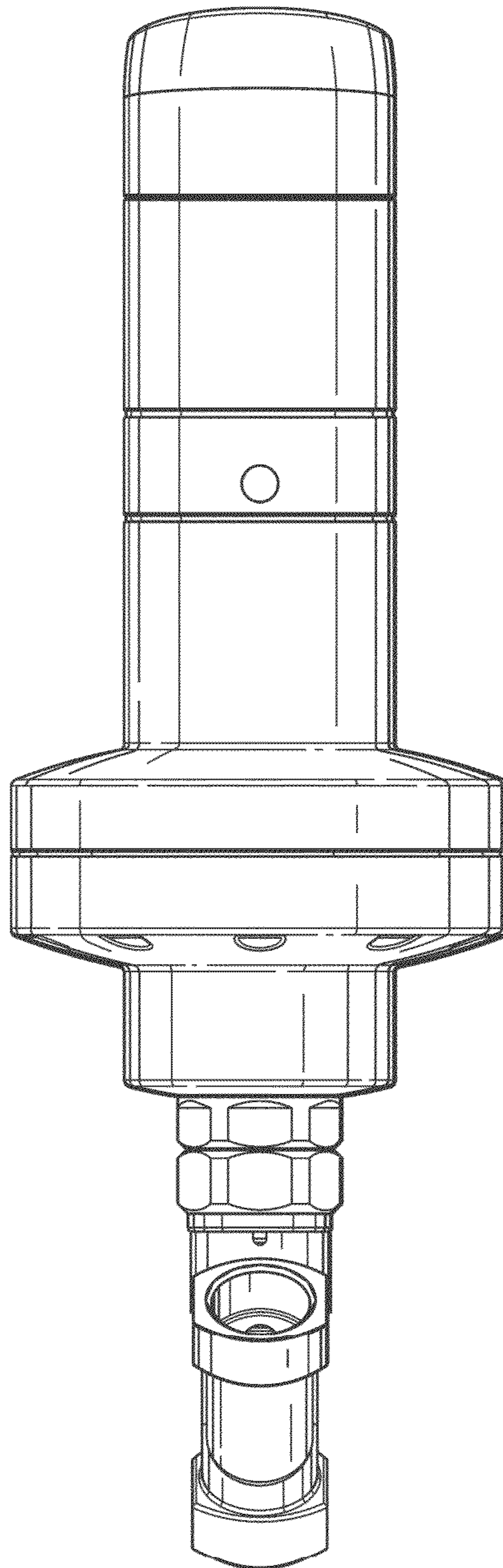


FIG. 3

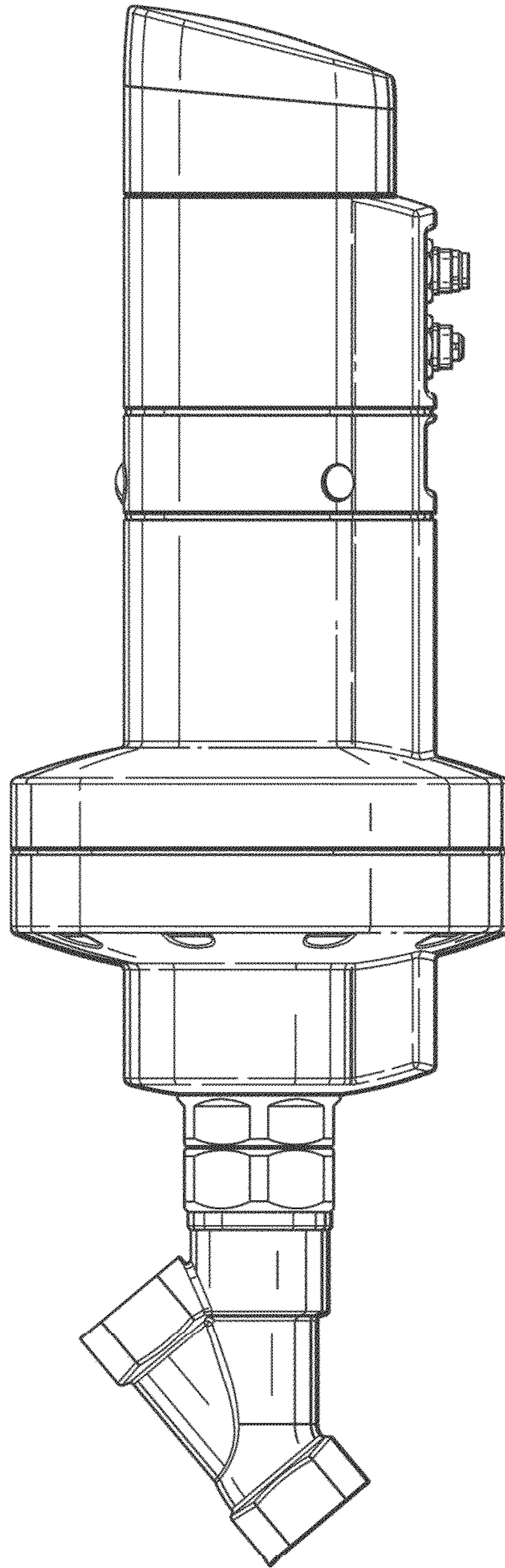


FIG. 4

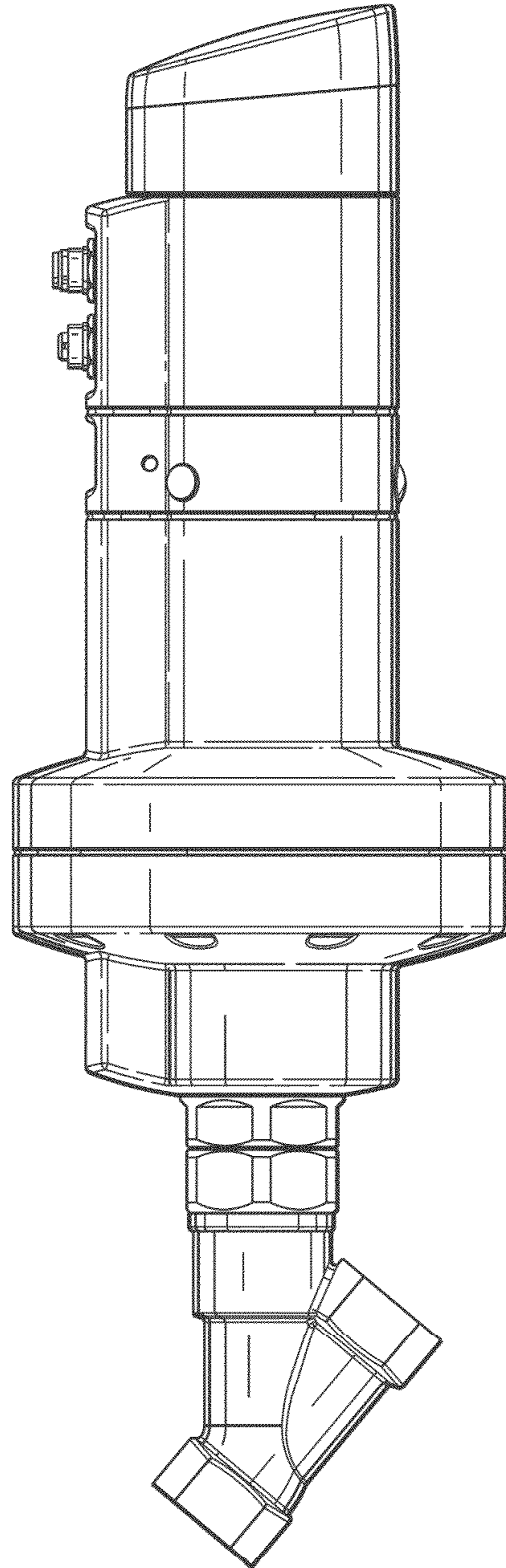


FIG. 5

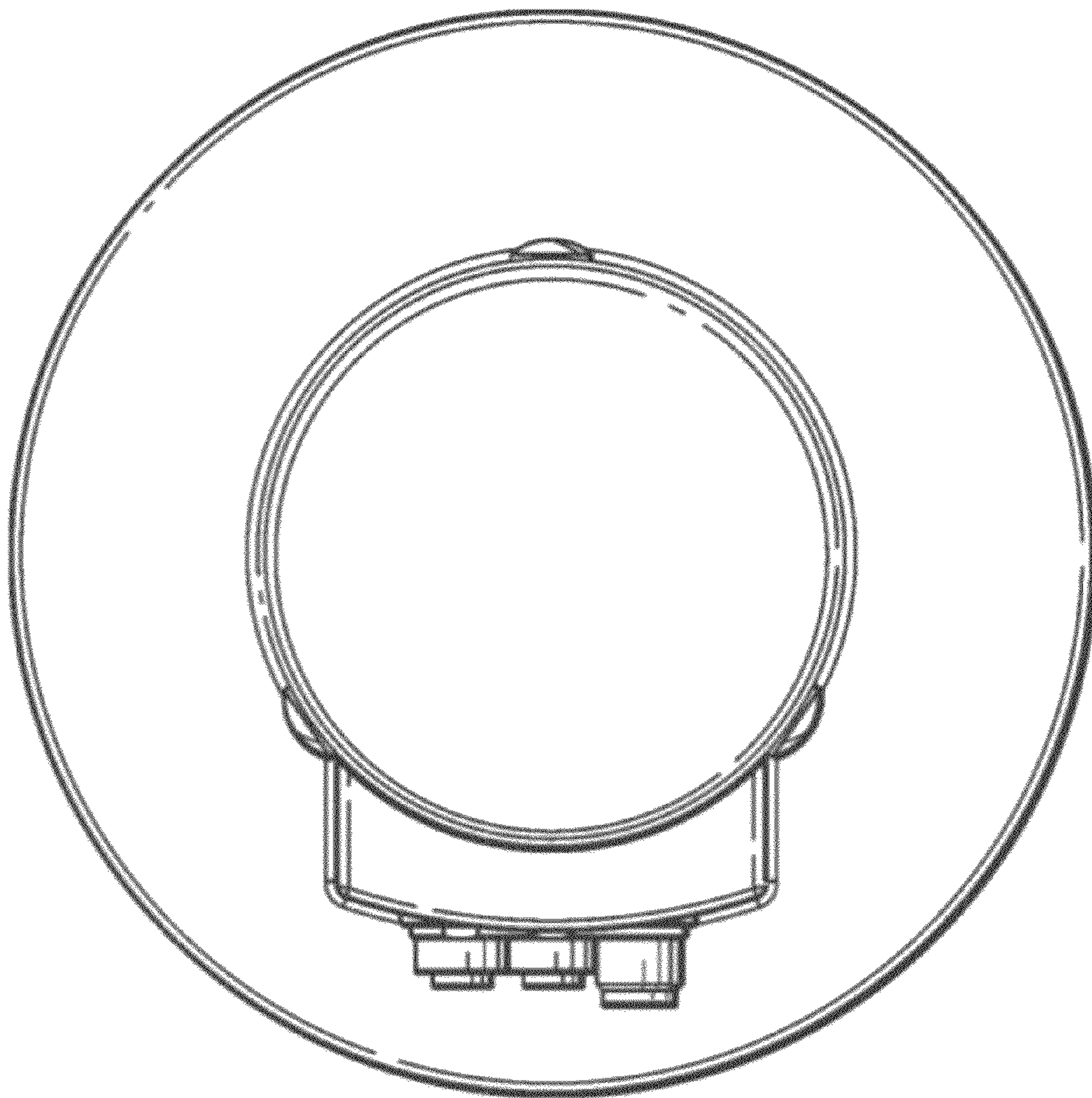


FIG. 6

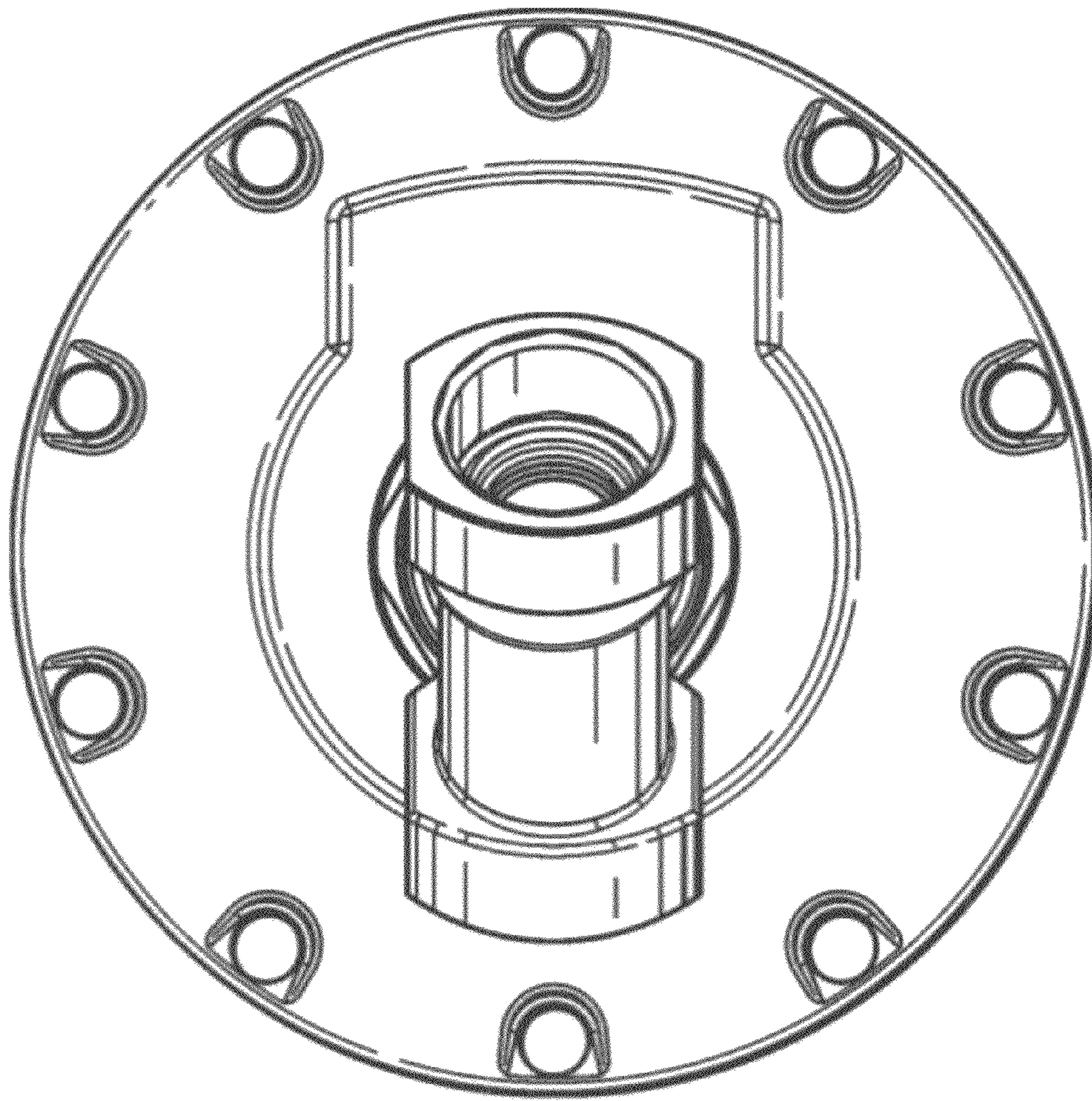


FIG. 7