



US00D760351S

(12) **United States Design Patent**
Weidmann

(10) **Patent No.:** **US D760,351 S**

(45) **Date of Patent:** **** Jun. 28, 2016**

(54) **SPRAY GUN**

(71) Applicant: **KRAUTZBERGER GMBH**, Eltville
(DE)

(72) Inventor: **Thomas Weidmann**, Bettendorf (DE)

(73) Assignee: **KRAUTZBERGER GMBH**, Eltville
(DE)

(**) Term: **14 Years**

(21) Appl. No.: **29/526,672**

(22) Filed: **May 12, 2015**

(30) **Foreign Application Priority Data**

Nov. 13, 2014 (EM) 002577502

(51) **LOC (10) Cl.** **23-01**

(52) **U.S. Cl.**
USPC **D23/226**

(58) **Field of Classification Search**
USPC D23/213, 223, 225, 226; 239/525-6
CPC B05B 9/01; B05B 1/005; B05B 5/1691
See application file for complete search history.

(56) **References Cited**

U.S. PATENT DOCUMENTS

D114,560 S *	5/1939	Roselund	D23/226
2,291,049 A *	7/1942	Magnuson	F16K 21/04 251/237
D282,394 S *	1/1986	Ettlinger	D23/226
D536,418 S *	2/2007	Huang	D23/226
D541,377 S *	4/2007	Chen	D23/223
D547,828 S *	7/2007	Huang	D23/226
D547,829 S *	7/2007	Huang	D23/226
D681,160 S *	4/2013	Chen	D23/226
D681,161 S *	4/2013	Chen	D23/226
D702,810 S *	4/2014	Stednitz	D23/213

* cited by examiner

Primary Examiner — Robin V Webster

(74) *Attorney, Agent, or Firm* — Hudak, Shunk & Farine Co.
LPA

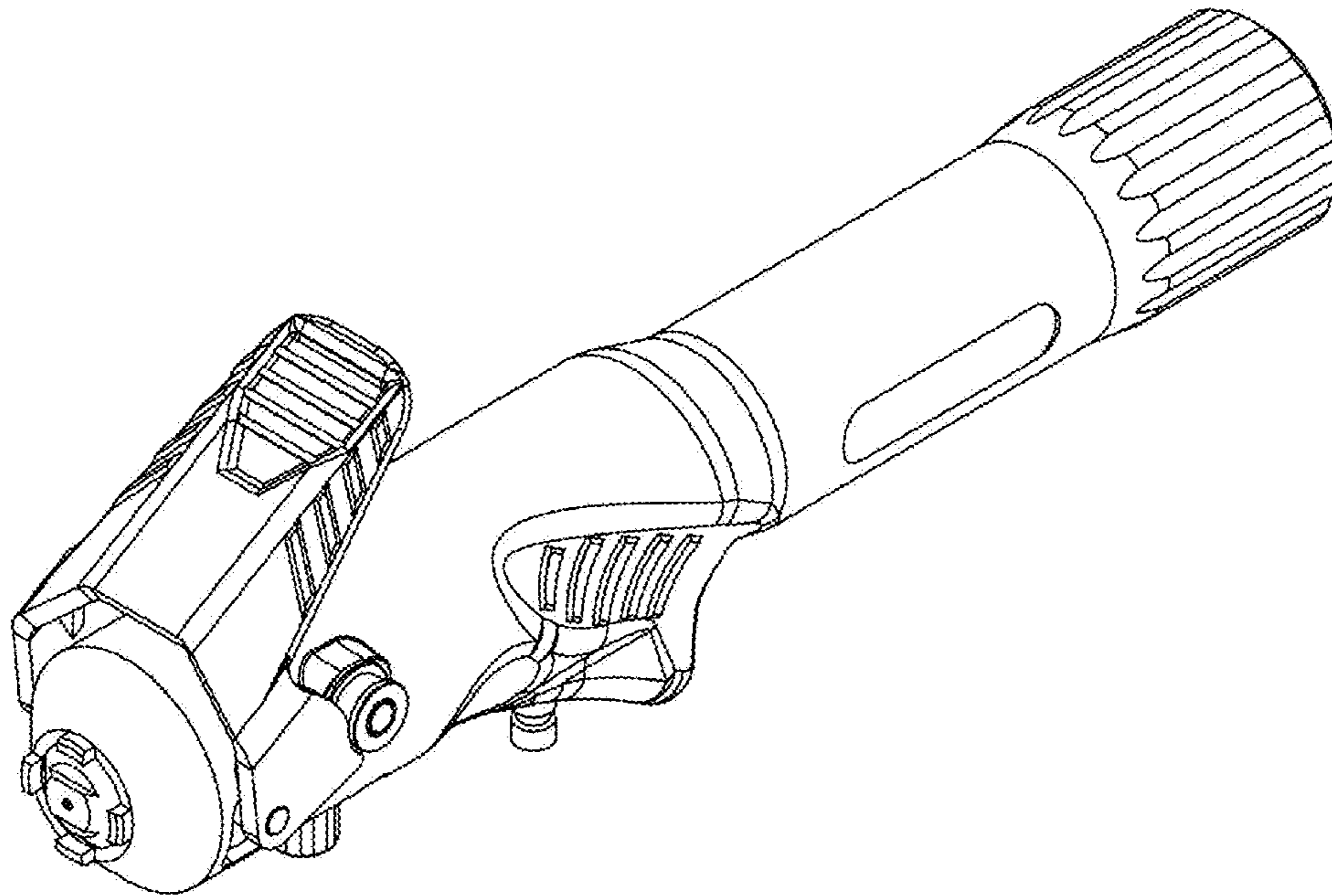
(57) **CLAIM**

The ornamental design for a “spray gun,” as shown and described.

DESCRIPTION

FIG. 1 is a front, side perspective view of the spray gun;
FIG. 2 is a left side view of the spray gun;
FIG. 3 is a right side view of the spray gun;
FIG. 4 is a top view of the spray gun;
FIG. 5 is a bottom view of the spray gun;
FIG. 6 is a front view of the spray gun; and,
FIG. 7 is a rear view of the spray gun.

1 Claim, 5 Drawing Sheets



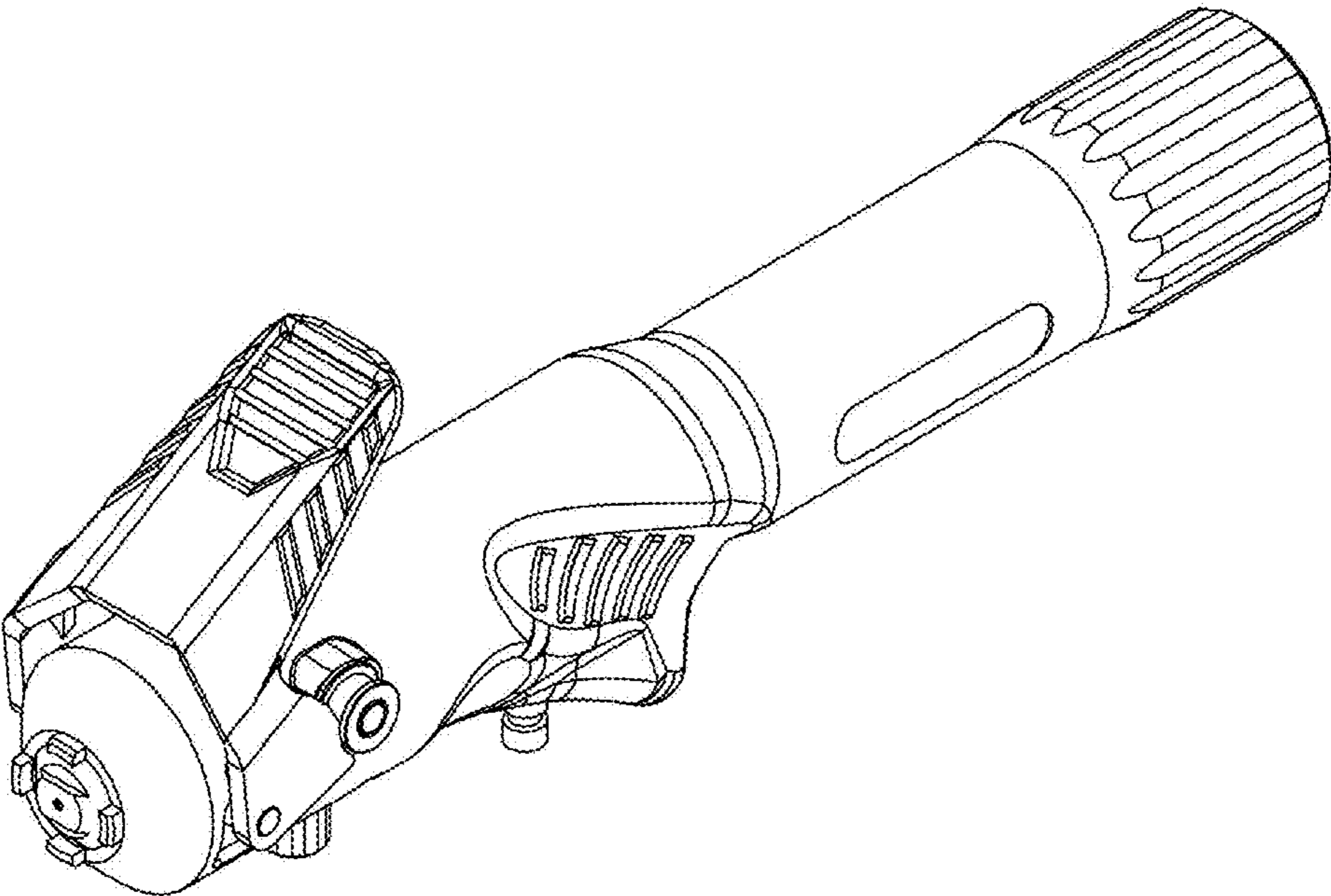


FIG. 1

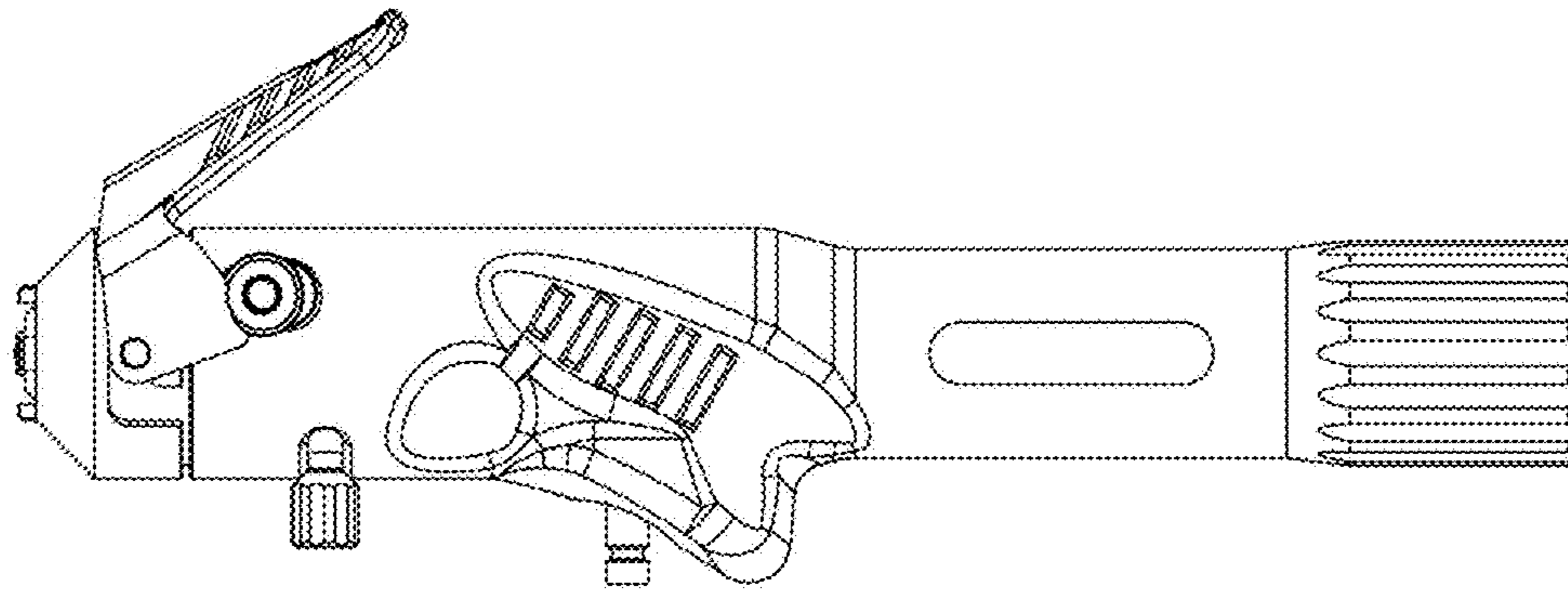


FIG. 2

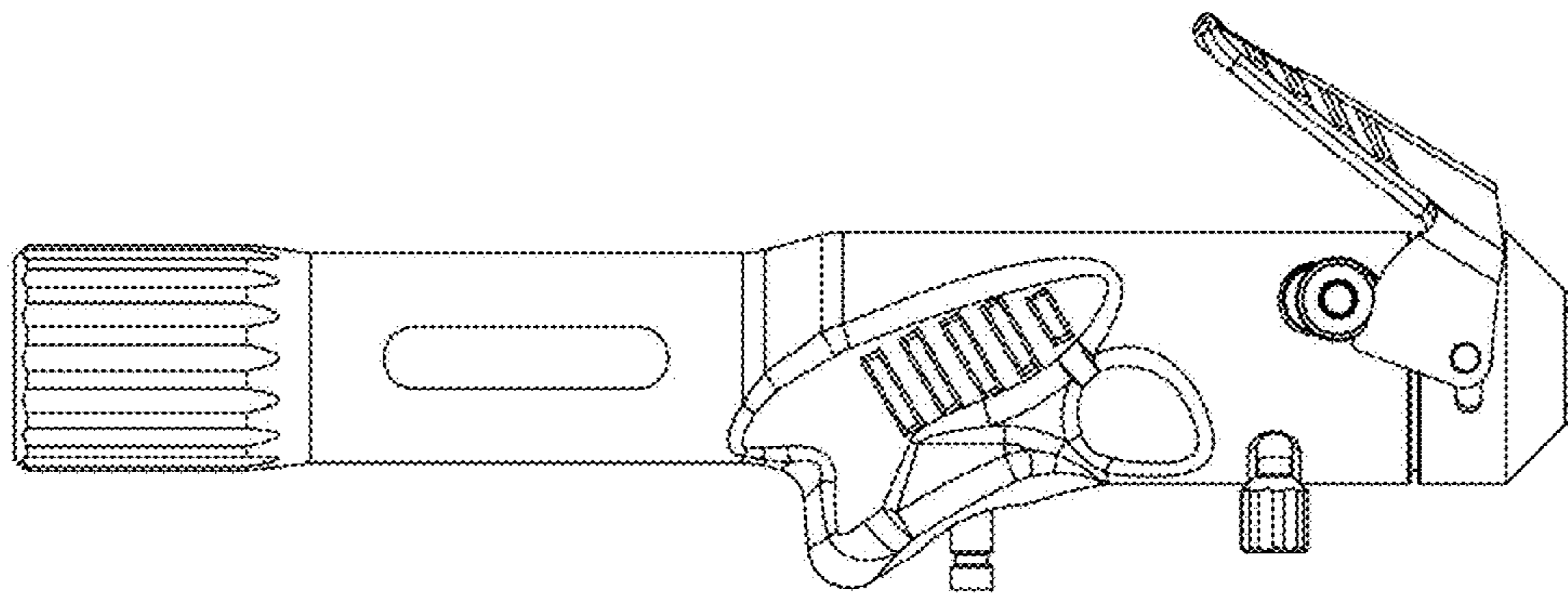


FIG. 3

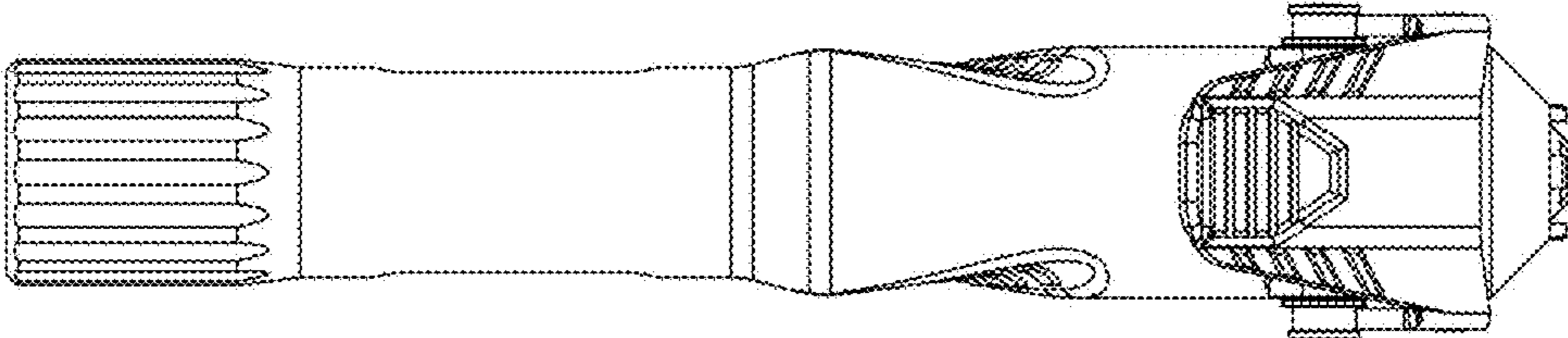


FIG. 4

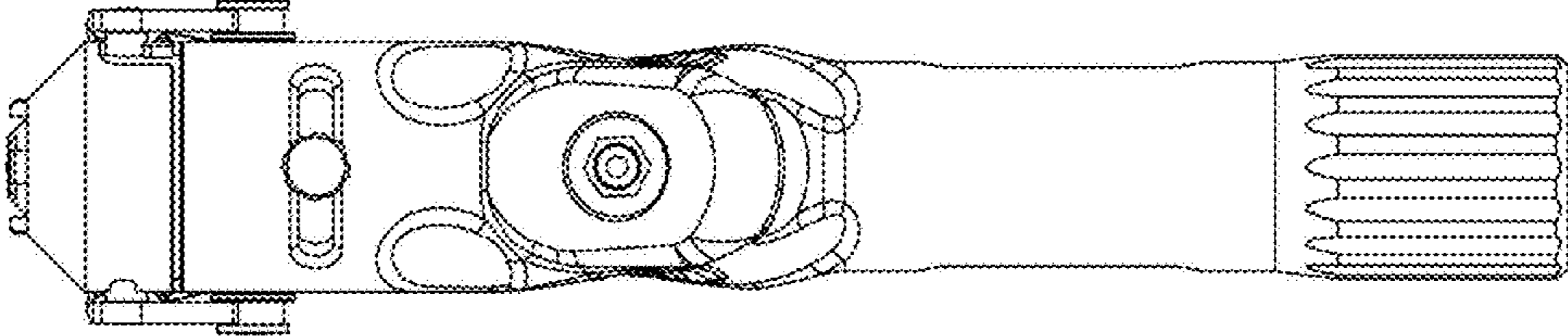


FIG. 5

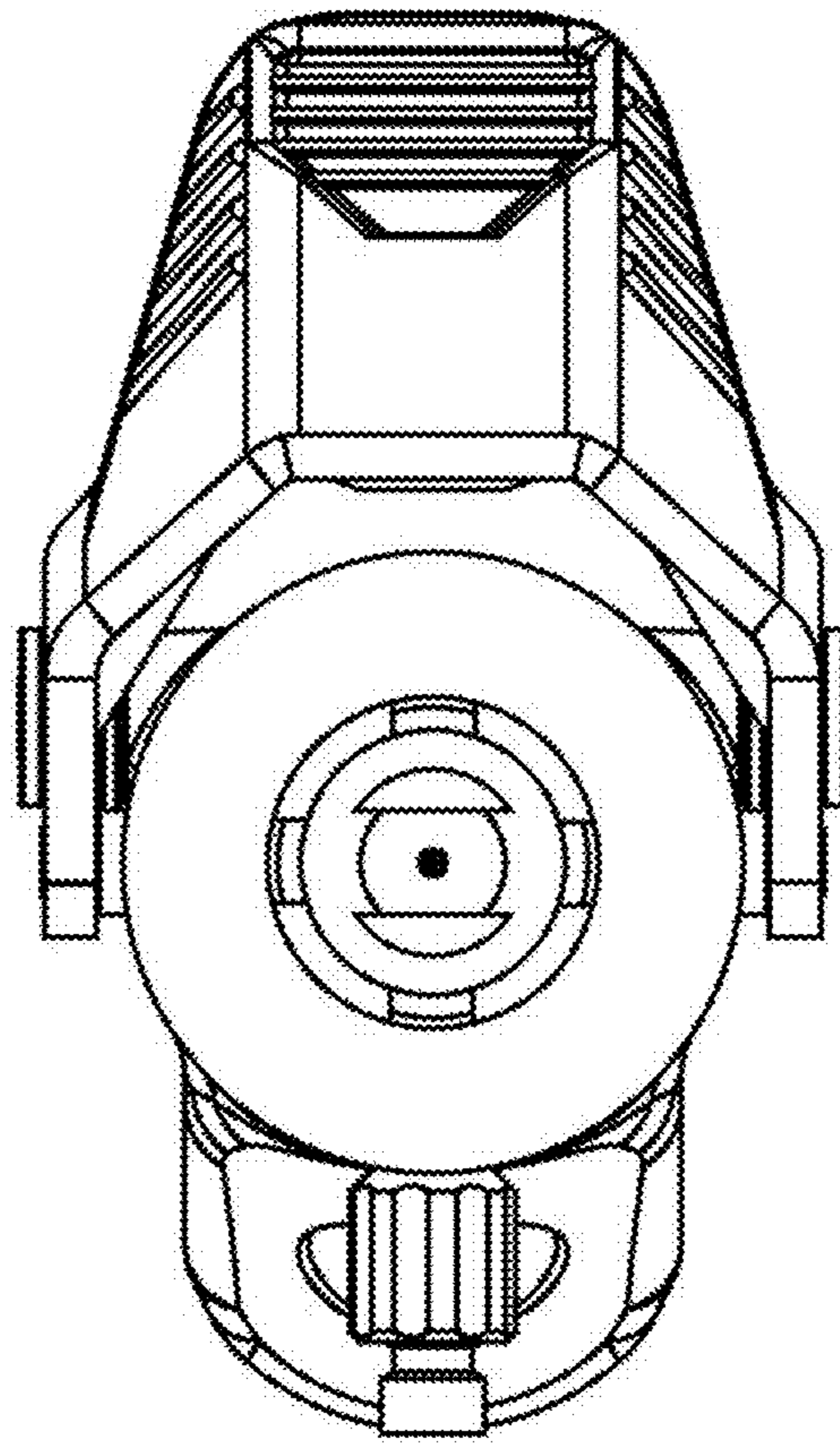


FIG. 6

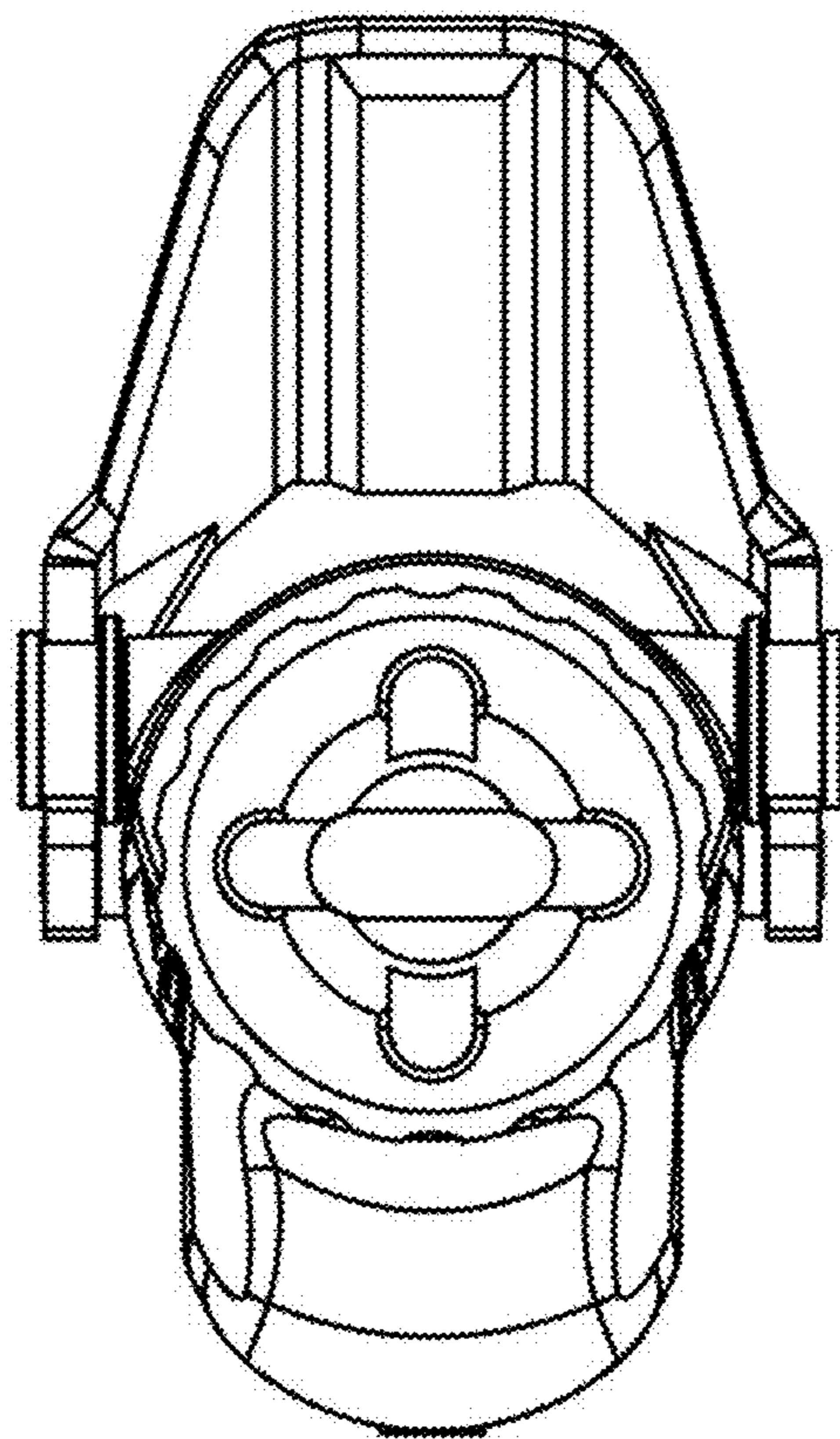


FIG. 7