

US00D760349S

(12) **United States Design Patent**
Chen

(10) **Patent No.:** **US D760,349 S**
(45) **Date of Patent:** **** Jun. 28, 2016**

(54) **GARDEN SPRAY**

(71) Applicant: **SHIN TAI SPURT WATER OF THE GARDEN TOOLS CO., LTD.**,
Lu-Kang Town, Chang-Hua Hsien (TW)

(72) Inventor: **Chin-Yuan Chen**, Chang-Hua Hsien (TW)

(73) Assignee: **SHIN TAI SPURT WATER OF THE GARDEN TOOLS CO., LTD.**,
Lu-Kang Town (TW)

(**) Term: **15 Years**

(21) Appl. No.: **29/527,821**

(22) Filed: **May 21, 2015**

(51) **LOC (10) Cl.** **23-01**

(52) **U.S. Cl.**
USPC **D23/223**

(58) **Field of Classification Search**
USPC D23/213, 223, 226, 229, 230; 239/526, 239/530
CPC B05B 9/01; B05B 1/005; B05B 1/18
See application file for complete search history.

(56) **References Cited**

U.S. PATENT DOCUMENTS

D636,058 S *	4/2011	Hung	D23/223
D648,823 S *	11/2011	Hung	D23/223
D653,306 S *	1/2012	Chen	D23/226
D657,018 S *	4/2012	Chen	D23/226

* cited by examiner

Primary Examiner — Robin V Webster

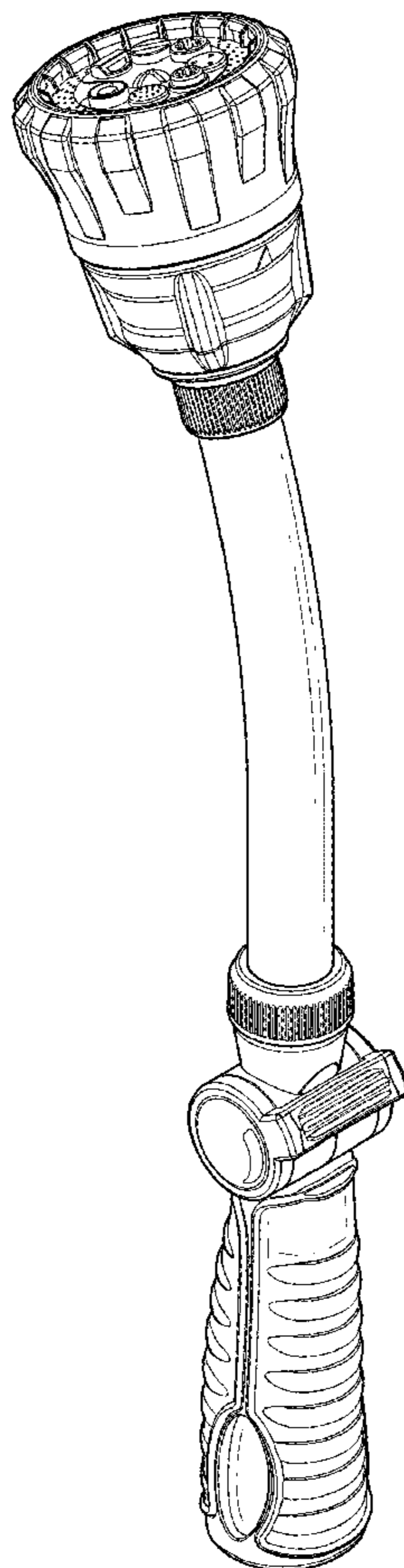
(57) **CLAIM**

The ornamental design for a garden spray, as shown and described.

DESCRIPTION

FIG. 1 is a perspective view of a garden spray showing my new design;
FIG. 2 is a front elevational view thereof;
FIG. 3 is a rear elevational view thereof;
FIG. 4 is a left side elevational view thereof;
FIG. 5 is a right side elevational view thereof;
FIG. 6 is a top plan view thereof; and,
FIG. 7 is a bottom plan view thereof.

1 Claim, 4 Drawing Sheets



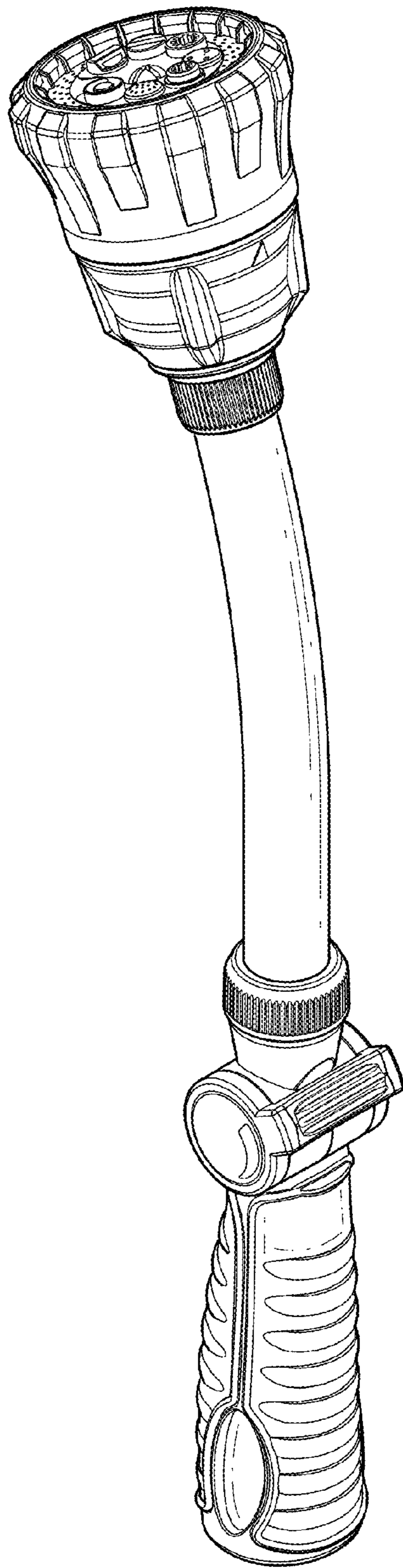


FIG. 1

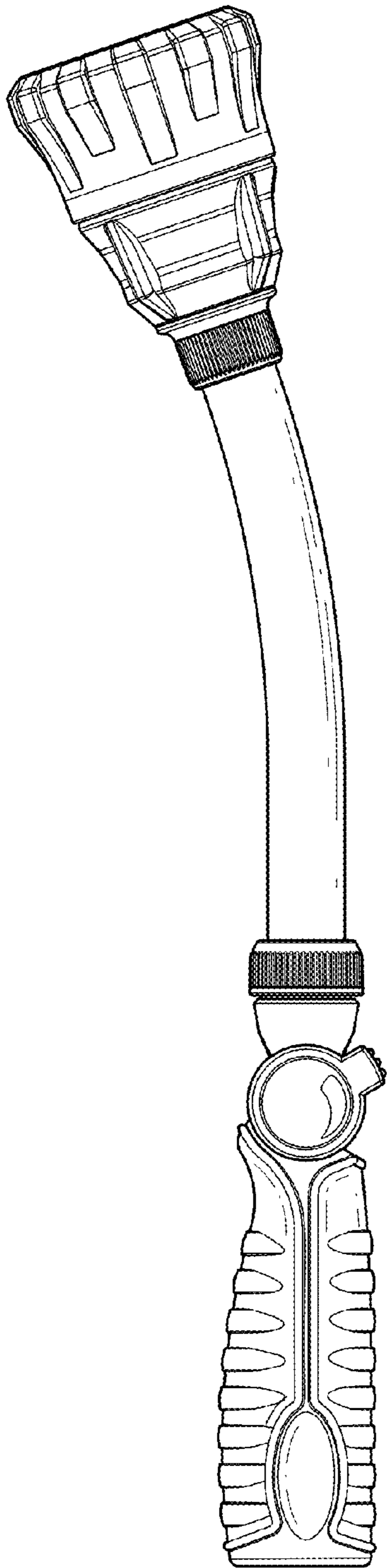


FIG. 2

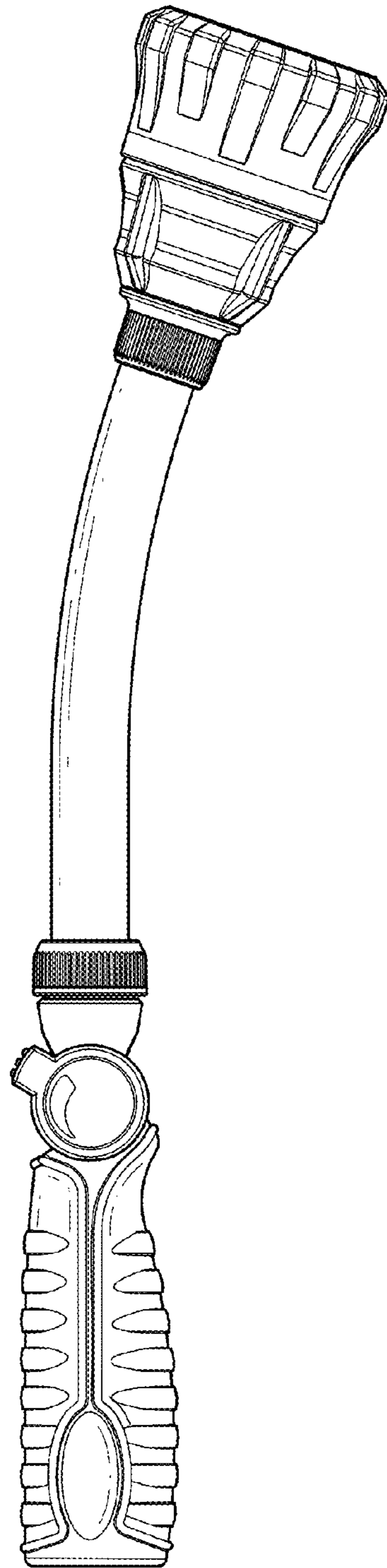


FIG. 3

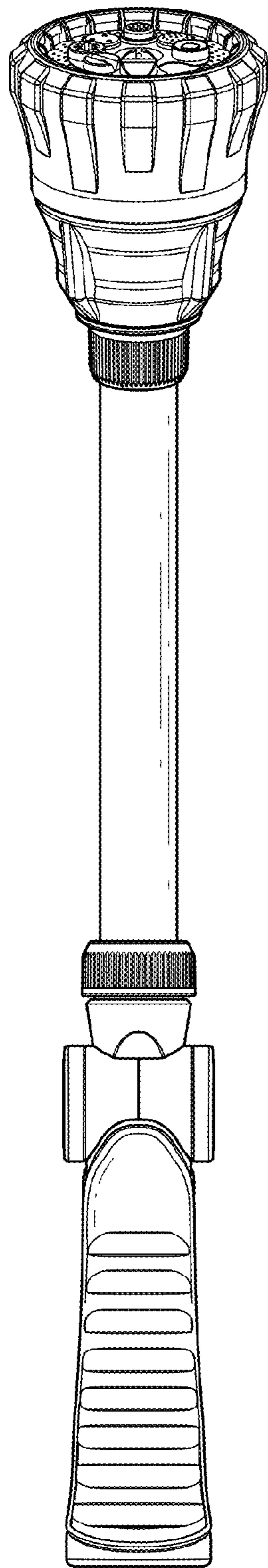


FIG. 4

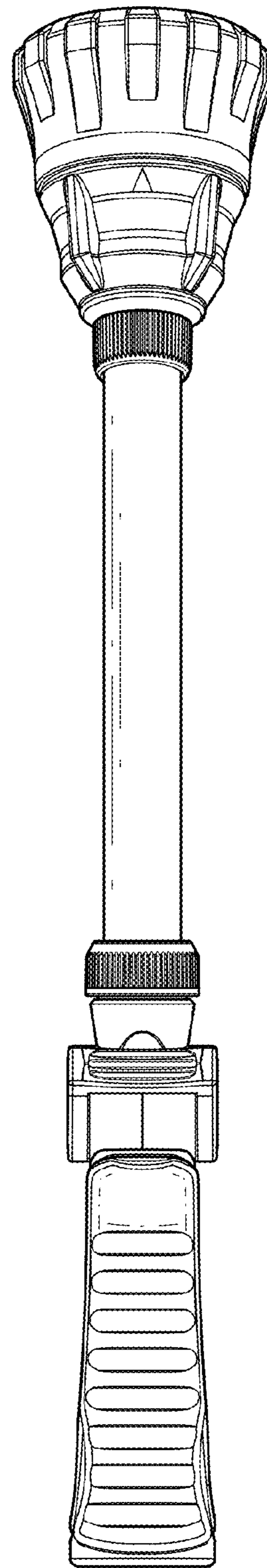


FIG. 5

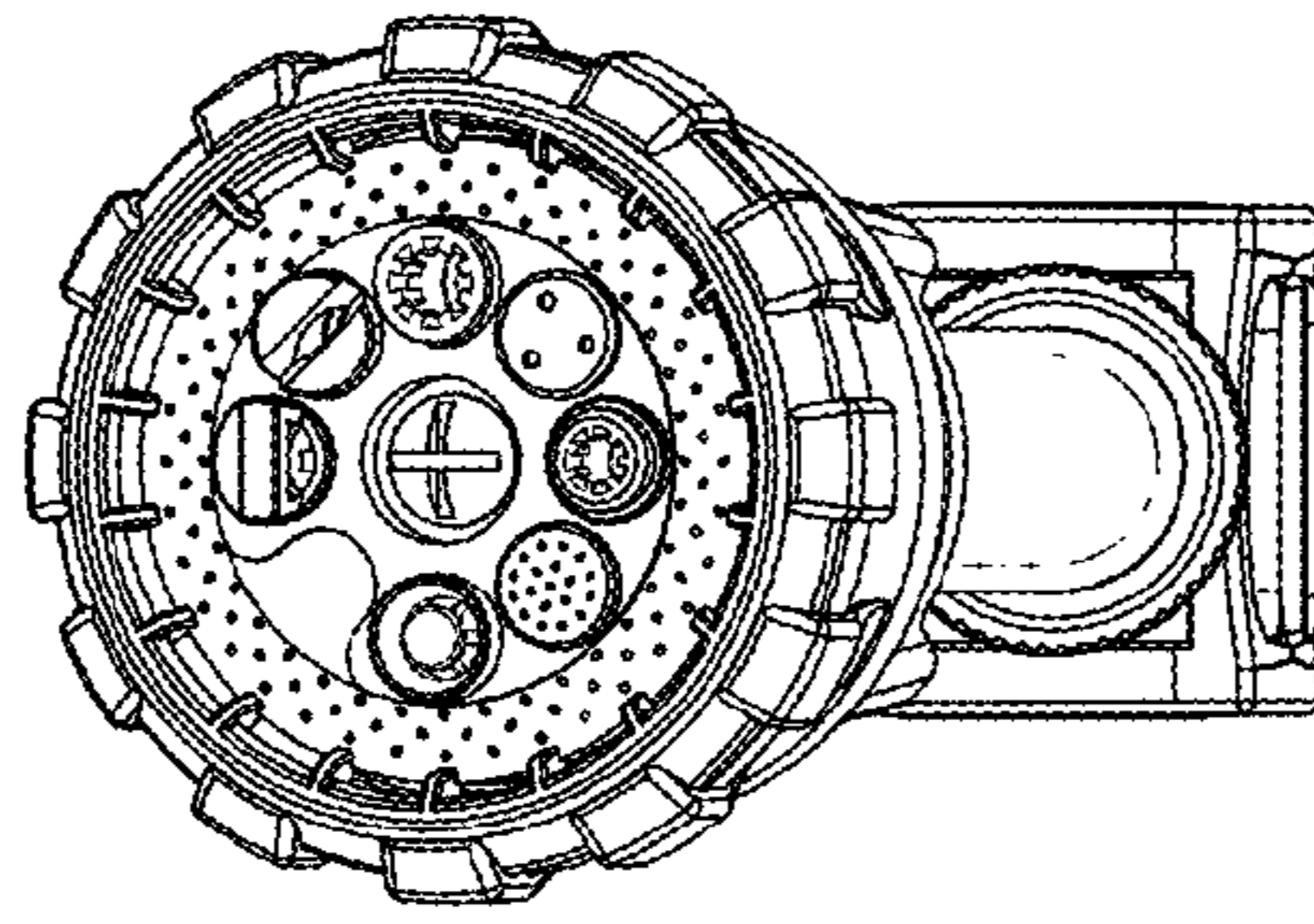


FIG. 6

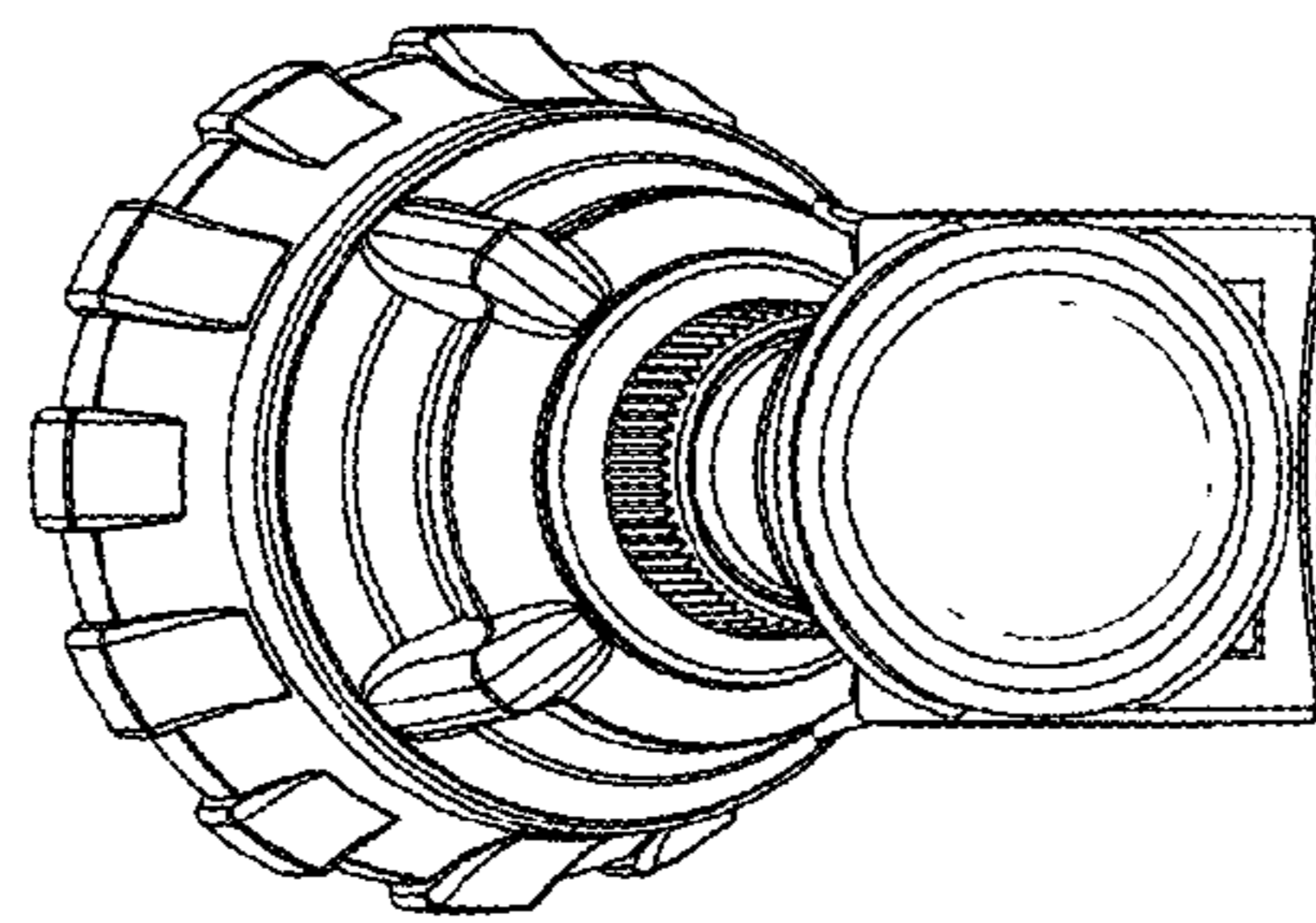


FIG. 7