

US00D760346S

(12) **United States Design Patent**
Davis, III

(10) **Patent No.:** **US D760,346 S**
(45) **Date of Patent:** **** Jun. 28, 2016**

(54) **UV LIQUID TREATMENT SYSTEM HOUSING**

(71) Applicant: **Thomas W. Davis, III**, Bethany, LA
(US)

(72) Inventor: **Thomas W. Davis, III**, Bethany, LA
(US)

(**) Term: **14 Years**

(21) Appl. No.: **29/522,432**

(22) Filed: **Mar. 31, 2015**

(51) **LOC (10) Cl.** **23-01**

(52) **U.S. Cl.**
USPC **D23/207**

(58) **Field of Classification Search**
USPC D23/207, 209, 208; D7/306, 304;
210/241, 244, 435, 232, 282, 440,
210/748.1
CPC B01D 27/08
See application file for complete search history.

(56) **References Cited**

U.S. PATENT DOCUMENTS

3,050,189 A * 8/1962 Williams B01D 29/15
210/232
4,971,687 A * 11/1990 Anderson C02F 1/283
210/232

7,416,664 B2 * 8/2008 Johann B01D 35/30
210/232
7,658,840 B2 * 2/2010 Lisenko B01D 35/14
210/232
8,561,810 B2 * 10/2013 Tsai B01D 29/114
210/232
8,845,896 B2 * 9/2014 Kruckenberg C02F 1/003
210/232
8,894,853 B2 * 11/2014 Kim B01D 35/30
210/232

* cited by examiner

Primary Examiner — Robin V Webster

(74) *Attorney, Agent, or Firm* — R. Keith Harrison

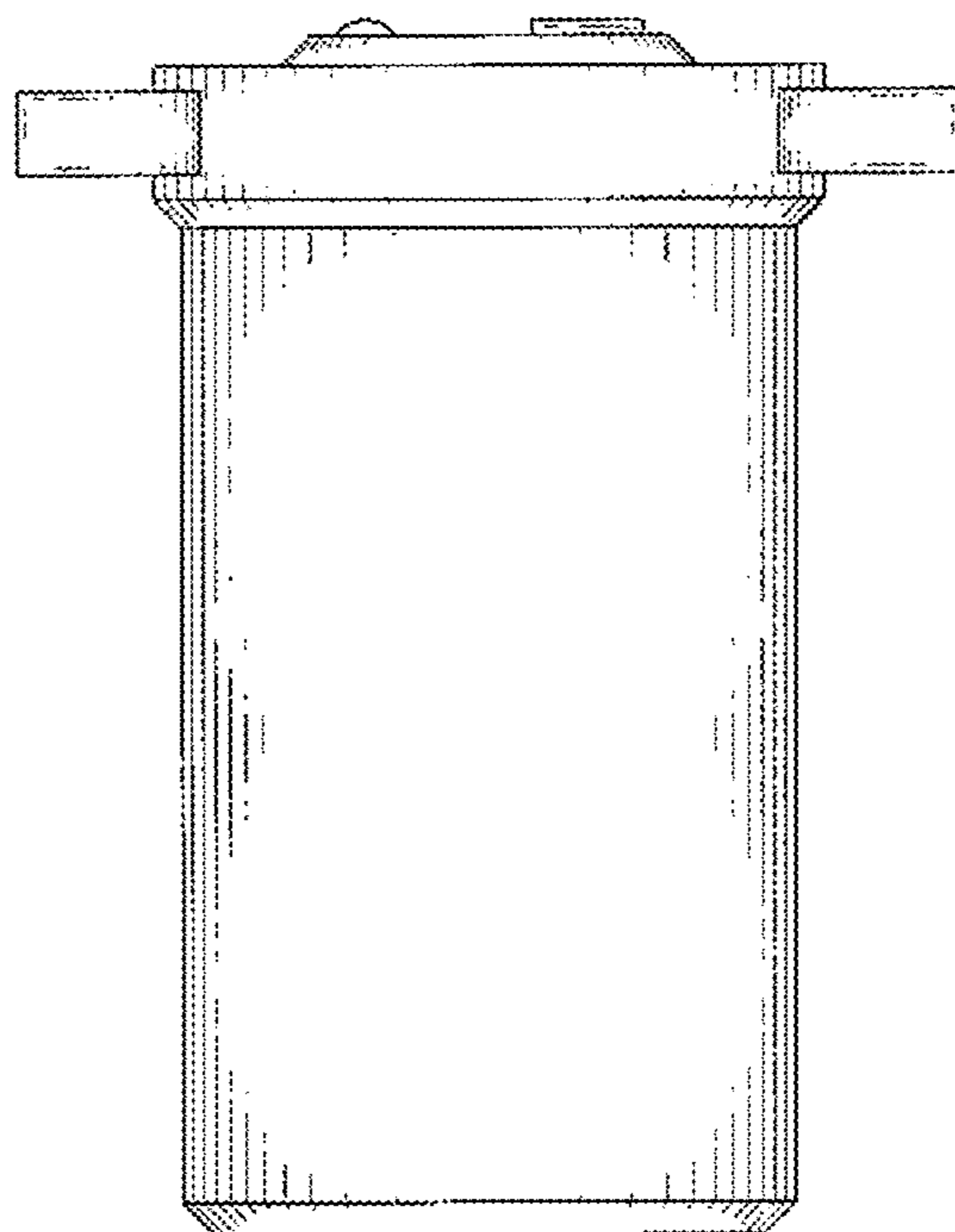
(57) **CLAIM**

The ornamental design for a UV liquid treatment system housing, as shown and described.

DESCRIPTION

FIG. 1 is a front view of the UV liquid treatment system housing;
FIG. 2 is a rear view of the UV liquid treatment system housing;
FIG. 3 is a right side view of the of the UV liquid treatment system housing;
FIG. 4 is a left side view of the of the UV liquid treatment system housing;
FIG. 5 is a top view of the of the UV liquid treatment system housing; and,
FIG. 6 is a bottom view of the of the UV liquid treatment system housing.

1 Claim, 3 Drawing Sheets



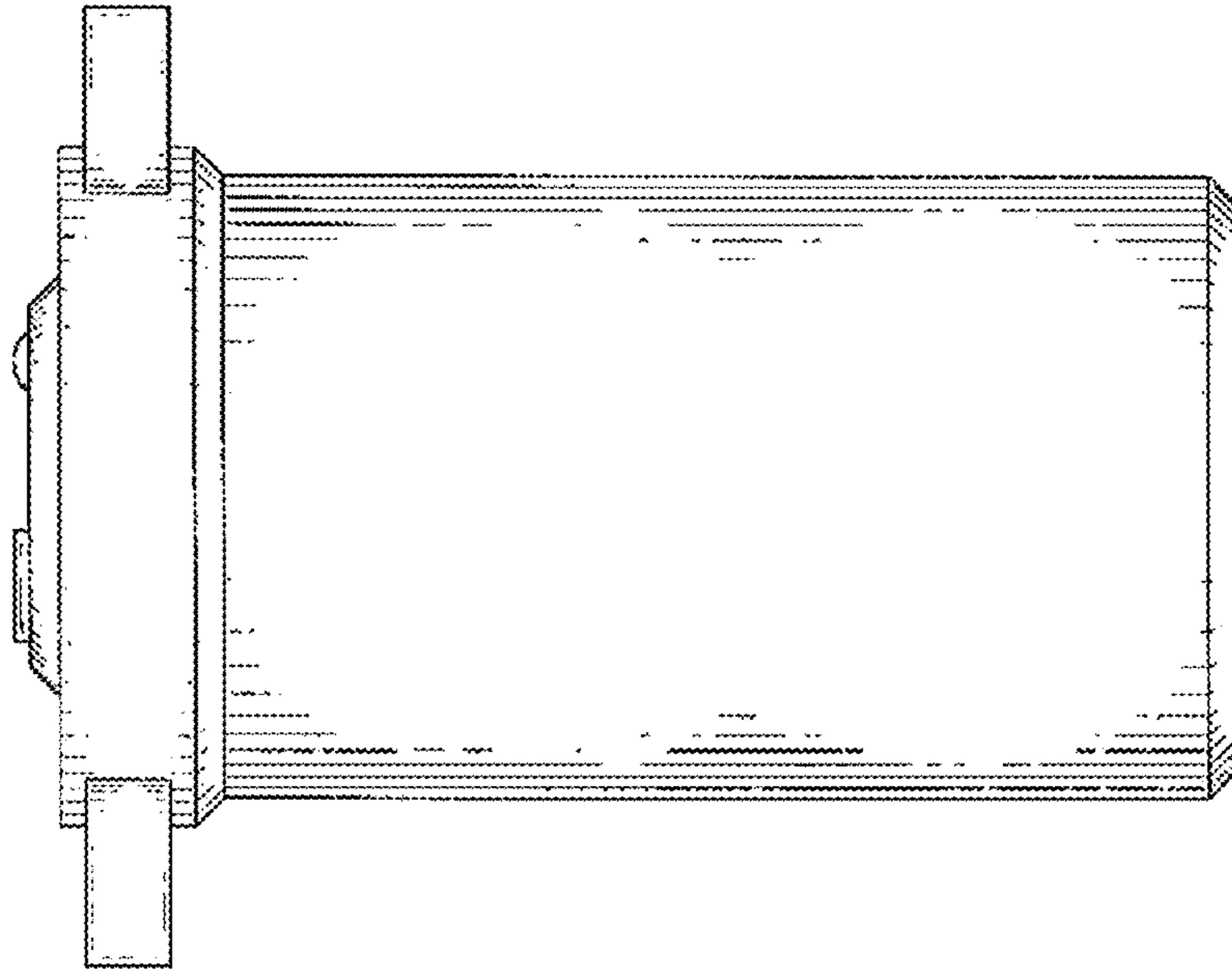


FIG. 2

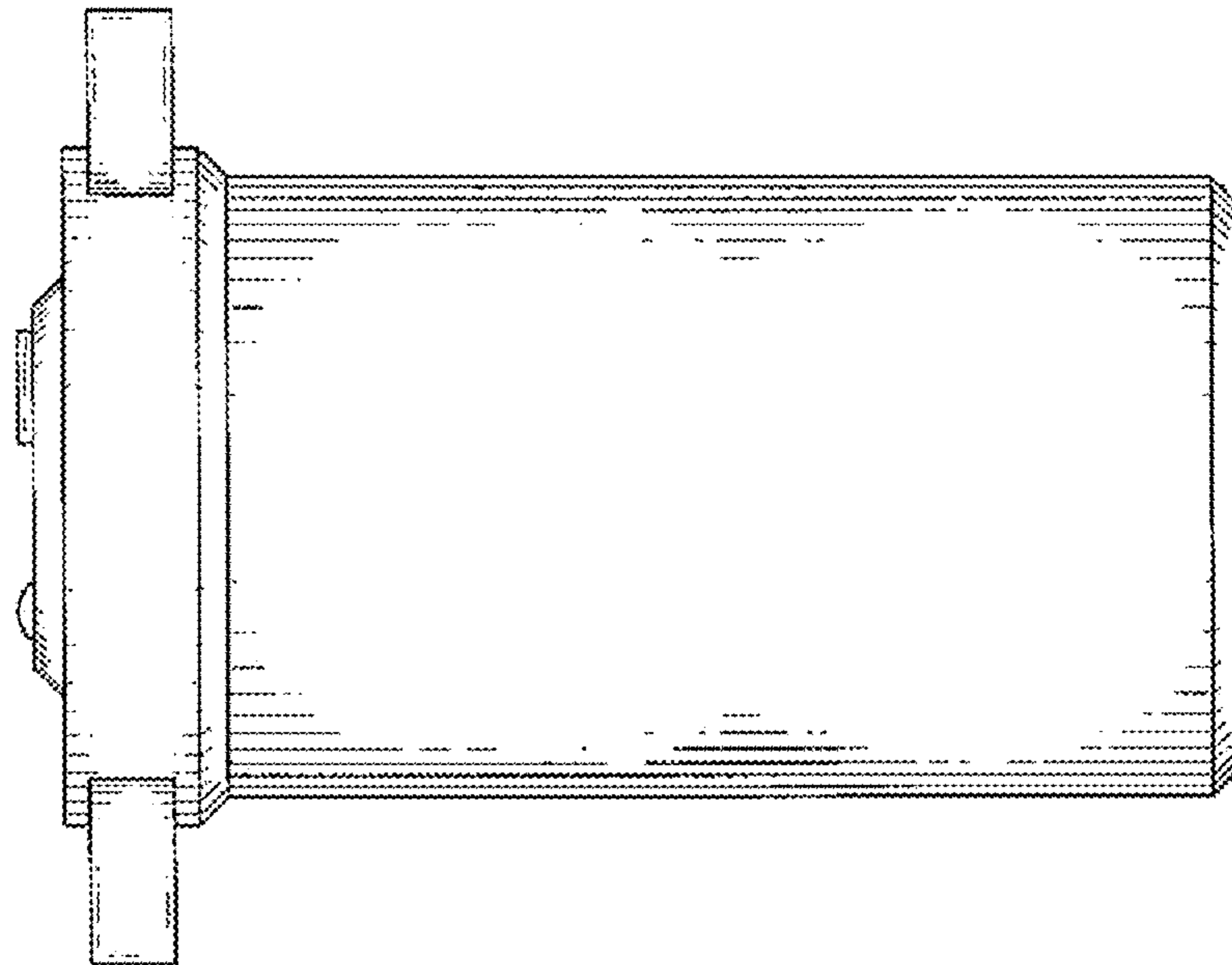


FIG. 1

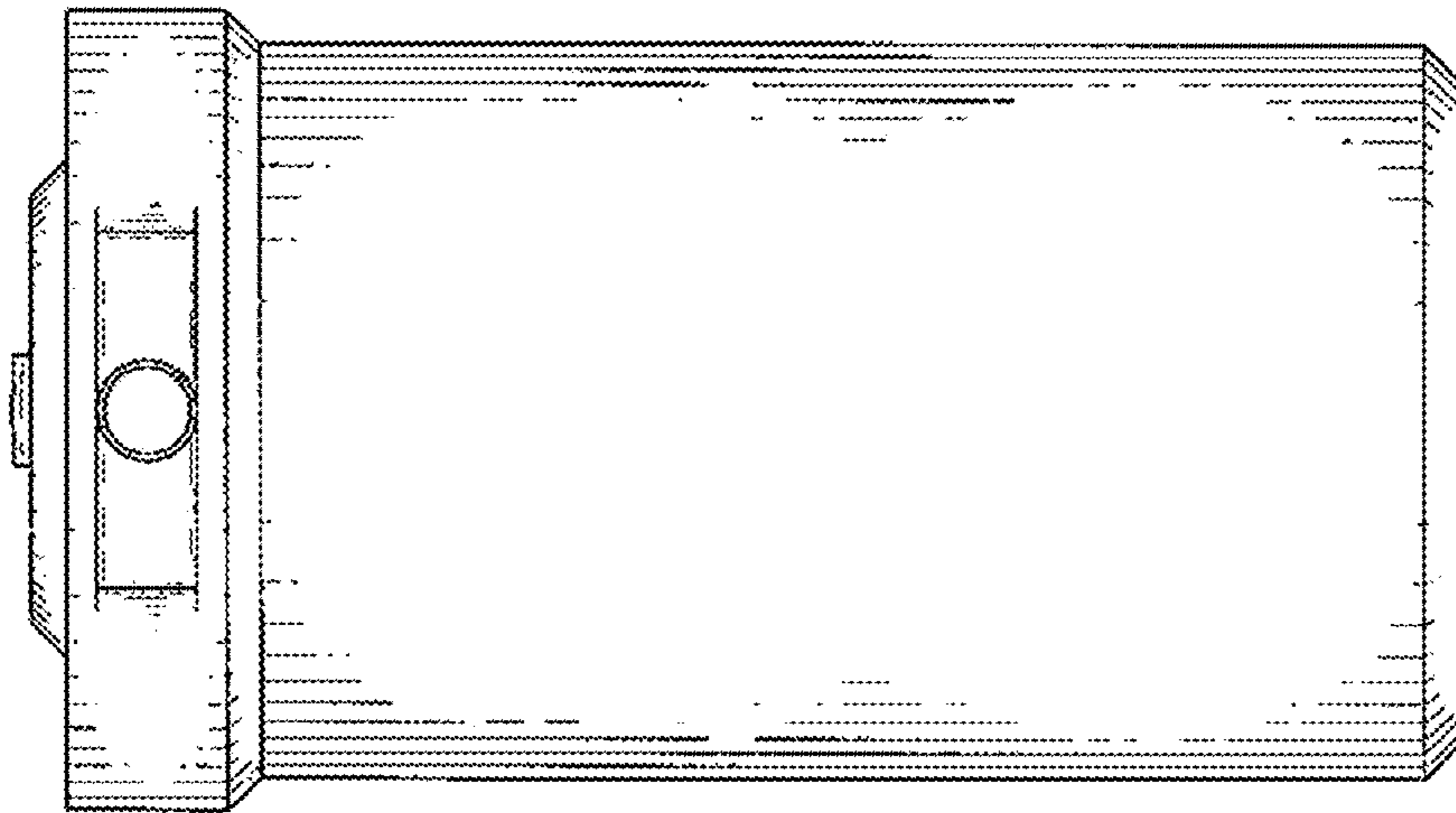


FIG. 3

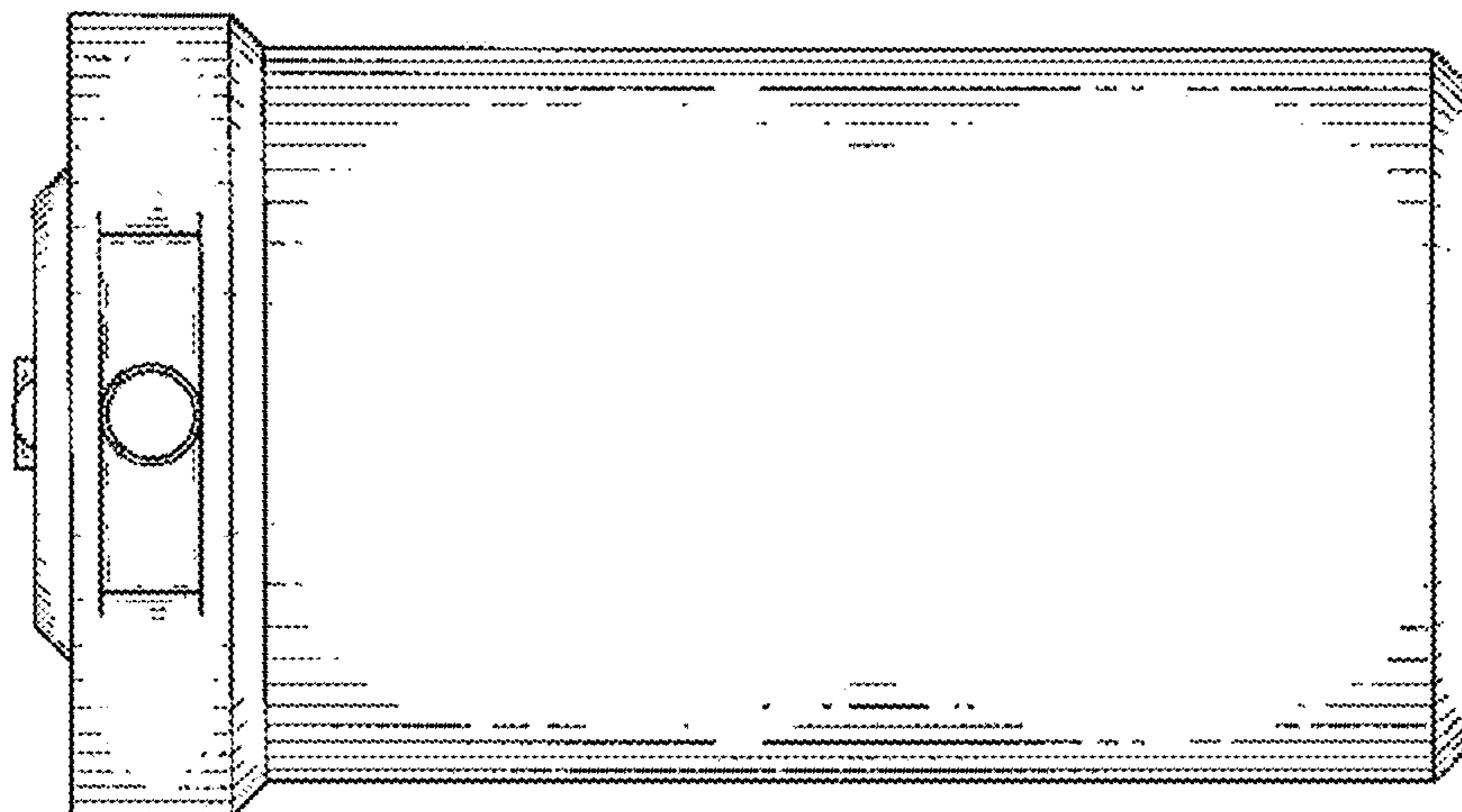


FIG. 4

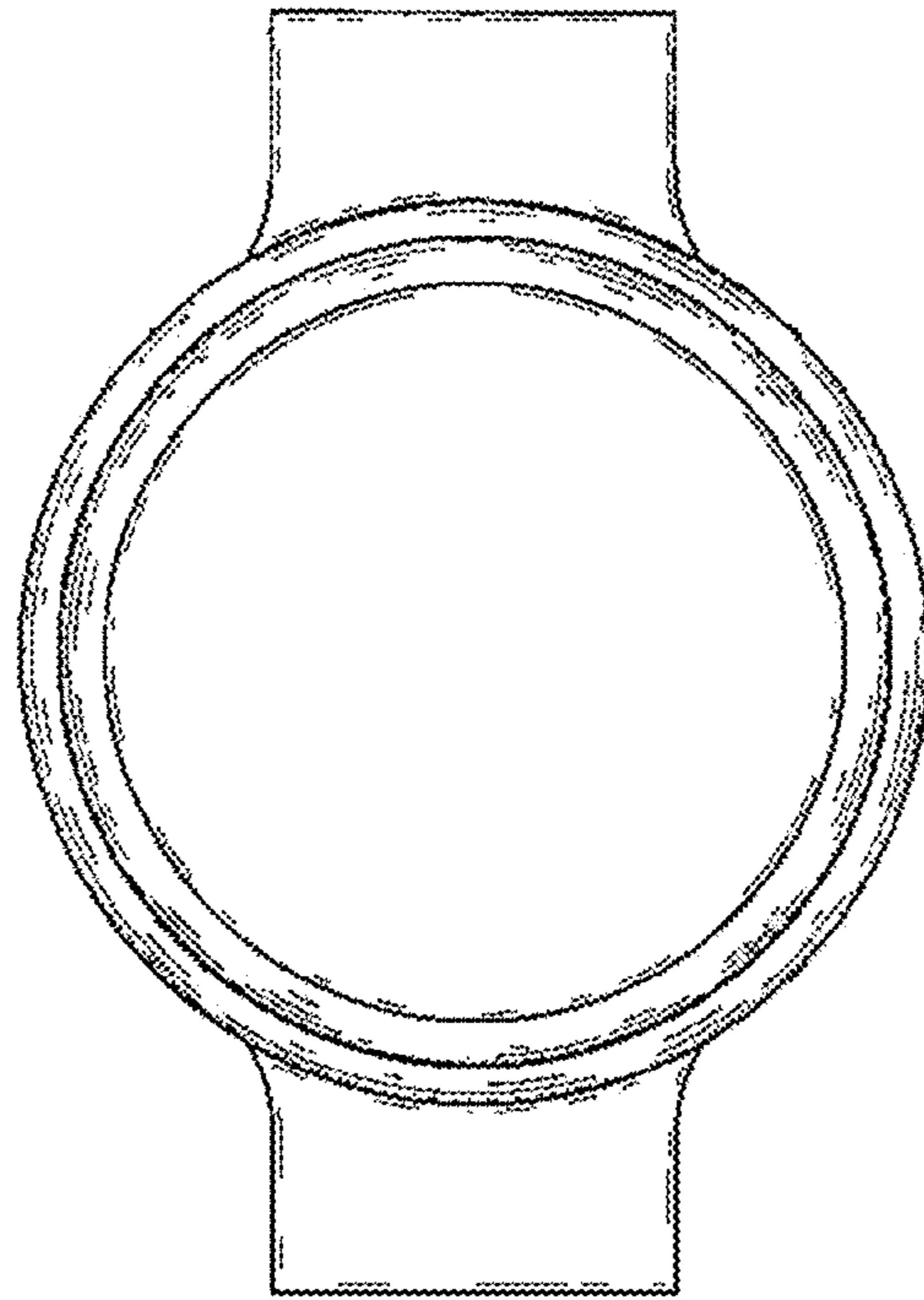


FIG. 6

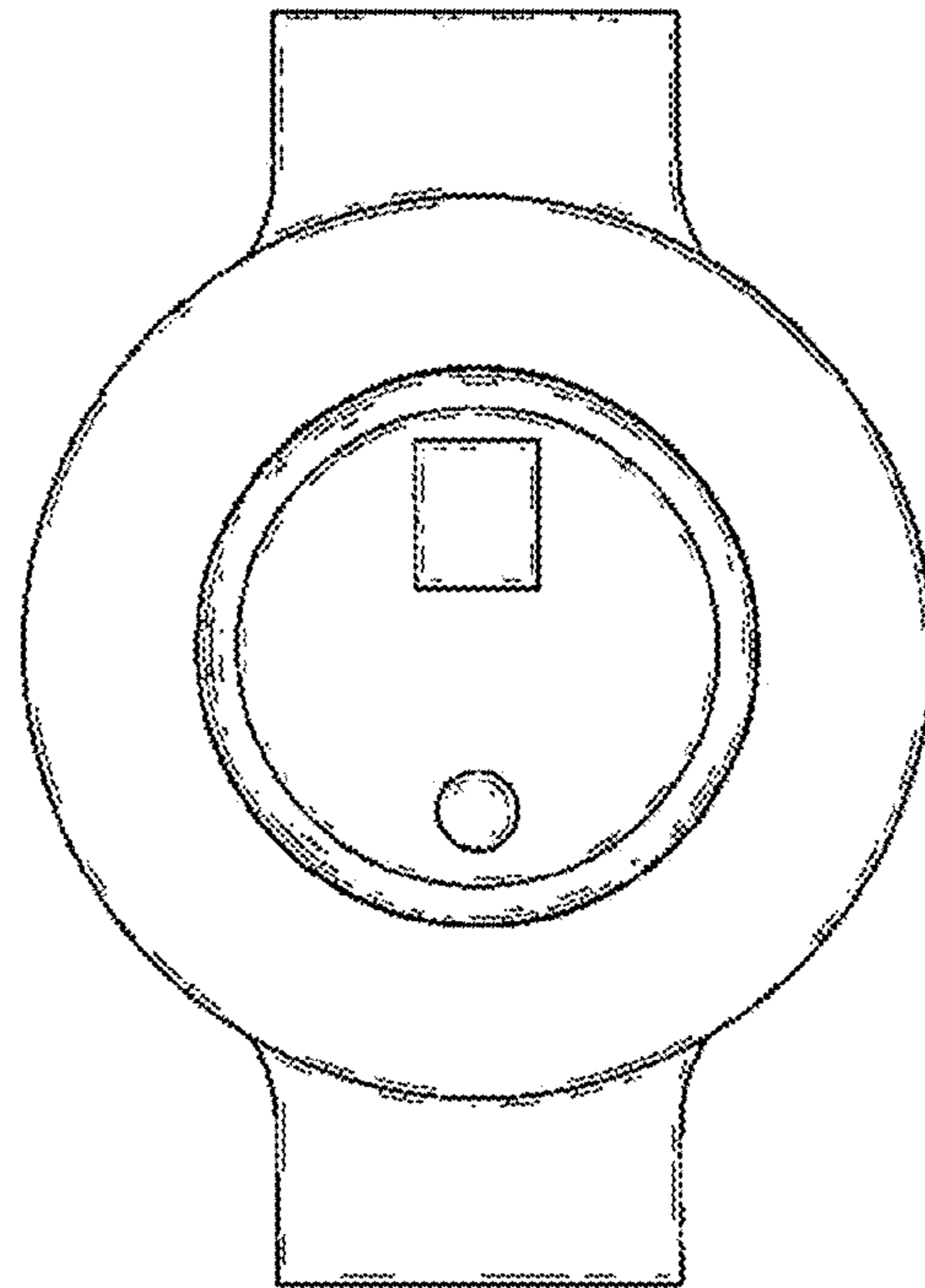


FIG. 5