

US00D760345S

(12) **United States Design Patent**
Campbell et al.

(10) **Patent No.:** **US D760,345 S**
(45) **Date of Patent:** **** Jun. 28, 2016**

(54) **CAP FOR A SPRAYER TANK**

(71) Applicant: **CHAPIN MANUFACTURING, INC.**,
Batavia, NY (US)

(72) Inventors: **James W. Campbell**, Akron, NY (US);
James R. Fontaine, Marilla, NY (US)

(73) Assignee: **CHAPIN MANUFACTURING, INC.**,
Batavia, NY (US)

(**) Term: **15 Years**

(21) Appl. No.: **29/527,902**

(22) Filed: **May 22, 2015**

(51) **LOC (10) Cl.** **23-01**

(52) **U.S. Cl.**
USPC **D23/206; D9/453**

(58) **Field of Classification Search**
USPC D23/213, 225, 202, 206; 239/332, 308,
239/302, 337, 373, 152-154; 222/383.1;
D9/435, 439, 443, 447, 452, 453
CPC B05B 5/1691; B05B 7/241; B05B 7/2405;
B05B 7/2408; B05B 9/08
See application file for complete search history.

(56) **References Cited**

U.S. PATENT DOCUMENTS

D101,623	S	*	10/1936	Fleisch	D8/DIG. 2
D291,868	S	*	9/1987	Hindle	D9/453
D296,813	S		7/1988	Ellison		
D354,914	S	*	1/1995	Newman	D9/453
D423,641	S		4/2000	Spiegel		
6,347,729	B1		2/2002	Spiegel		
D476,232	S	*	6/2003	Maus	D9/435
D477,224	S	*	7/2003	Hussain	D9/443
D503,886	S	*	4/2005	Biesecker	D7/391
D508,202	S	*	8/2005	Dobson	D9/447

(Continued)

OTHER PUBLICATIONS

SP150 Sprayer, Shindaiwa Inc., Tank Lid Assembly Part #713586,
printed May 21, 2005 from eReplacementParts.com.

(Continued)

Primary Examiner — Robin V Webster

(74) *Attorney, Agent, or Firm* — Kenneth J. Lukacher Law
Group

(57) **CLAIM**

The ornamental design for a cap for a sprayer tank, as shown
and described.

DESCRIPTION

FIG. 1 is a perspective view looking downwardly from the
front of a cap for a sprayer tank in accordance with our design,
in which a front view of the sprayer tank is shown with a top
cover and pump handle, and a hose extending from the
sprayer tank broken away;

FIG. 2 is a perspective view looking from the right side
thereof, in which the sprayer tank of FIG. 1 is shown broken
away;

FIG. 3 is a front view thereof when removed from a sprayer
tank of FIGS. 1 and 2;

FIG. 4 is a rear view thereof when removed from a sprayer
tank of FIGS. 1 and 2;

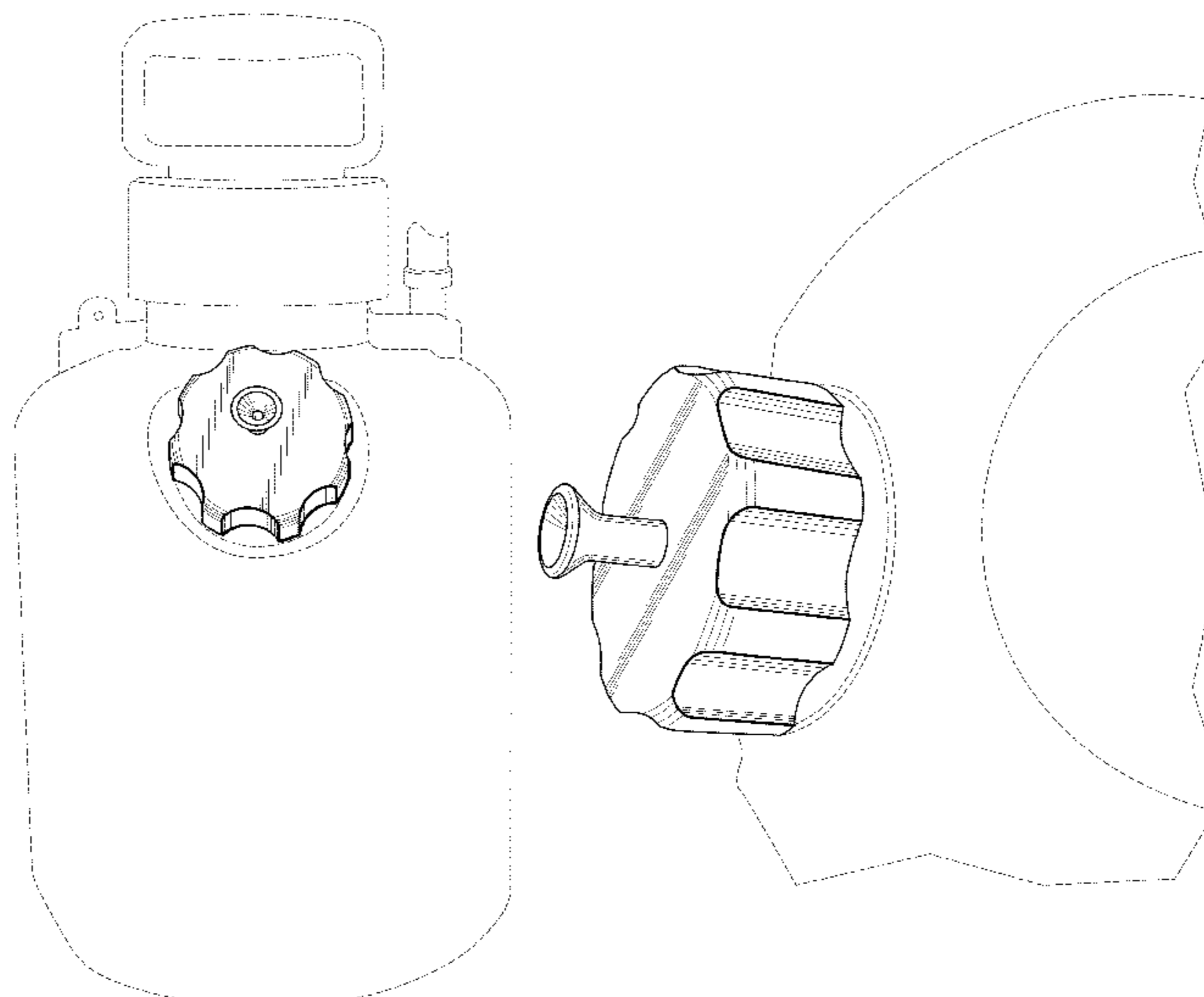
FIG. 5 is a right side view thereof when removed from a
sprayer tank of FIGS. 1 and 2, the left side view thereof being
a mirror image of the right side view;

FIG. 6 is a perspective view looking downwardly from the
rear thereof when removed from a sprayer tank of FIGS. 1 and
2; and,

FIG. 7 is another perspective view looking downwardly from
the front thereof, in which a top view of the sprayer tank is
shown broken along its top opening without top cover of FIG.
1.

The sprayer tank and all components along the top of said
sprayer tank, including pump handle, top cover, and hose,
form no part of the claimed design and are shown in dashed
lines in FIGS. 1, 2, and 7.

1 Claim, 7 Drawing Sheets



(56)

References Cited

U.S. PATENT DOCUMENTS

6,953,133 B2 10/2005 Englhard et al.
D529,577 S 10/2006 McGiveron
D542,656 S * 5/2007 Szczesniak D9/452
D548,075 S * 8/2007 Mavin D9/435
D564,068 S 3/2008 Campbell
D620,556 S 7/2010 Hillhouse et al.
D643,905 S 8/2011 Delorme
8,038,038 B2 10/2011 Hillhouse et al.
D673,644 S 1/2013 Delorme

D673,645 S 1/2013 Delorme
8,622,323 B2 1/2014 Klein
D705,899 S * 5/2014 Abernethy D23/225
D712,741 S * 9/2014 Vukelic D9/435

OTHER PUBLICATIONS

SP150 Sprayer, Shindaiwa Owner's/Operator's Manual, Shindaiwa, Inc. 2004.
Gilmour 101P Compressed Air Sprayer, May 20, 2015.
Spectracide, Weed & Grass Killer, Tank and Cap, 2010.

* cited by examiner

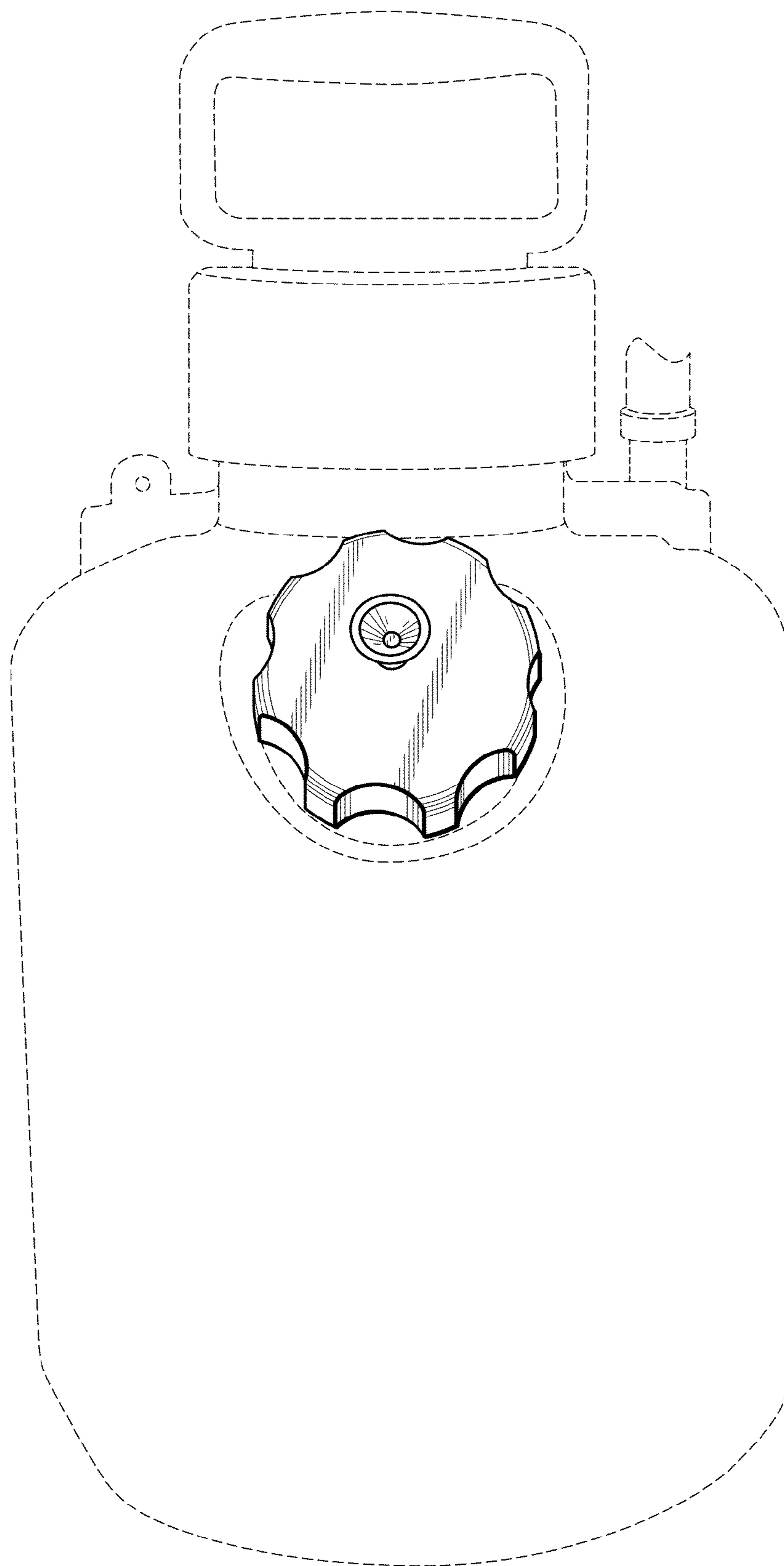


FIG. 1

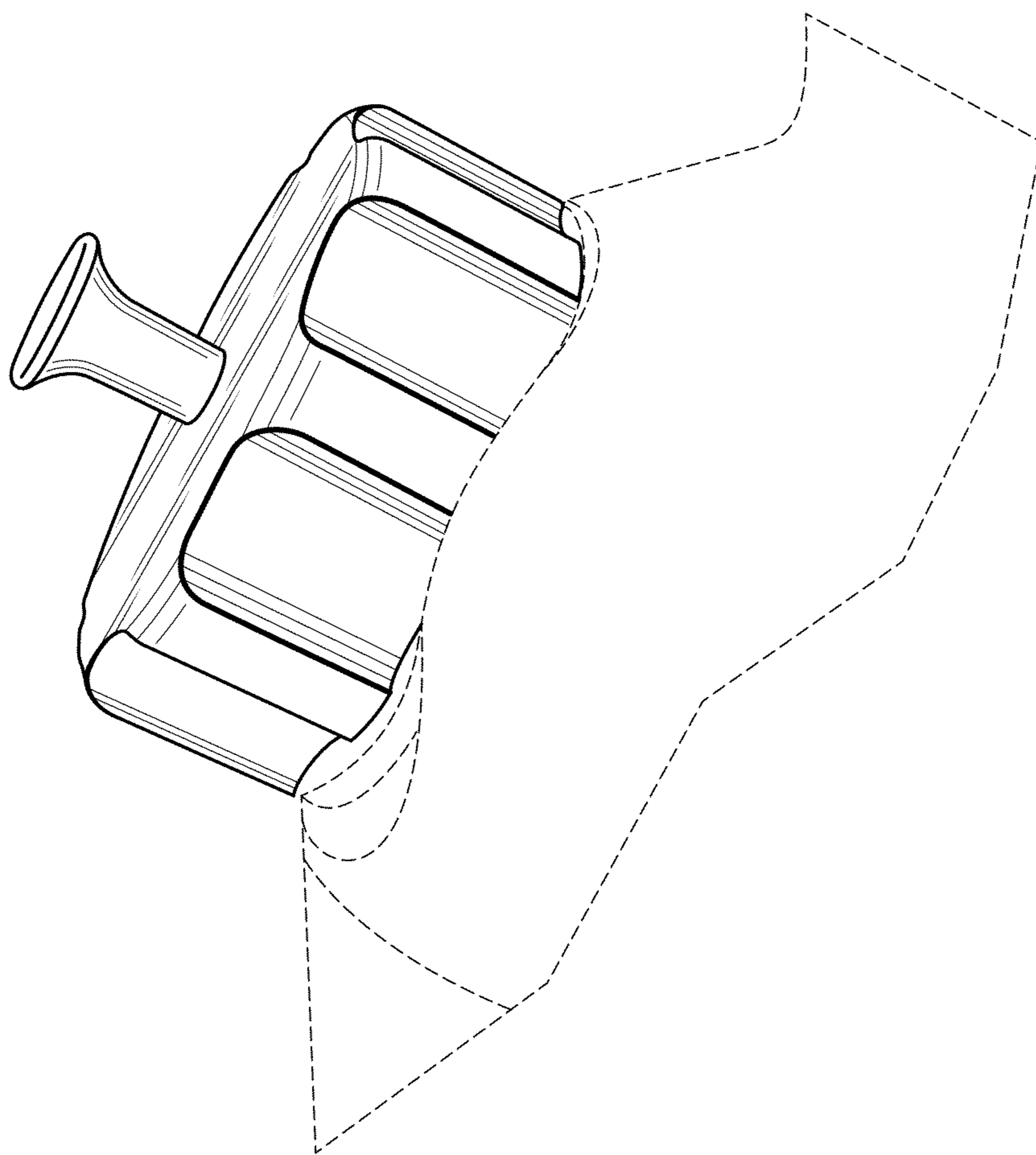


FIG. 2

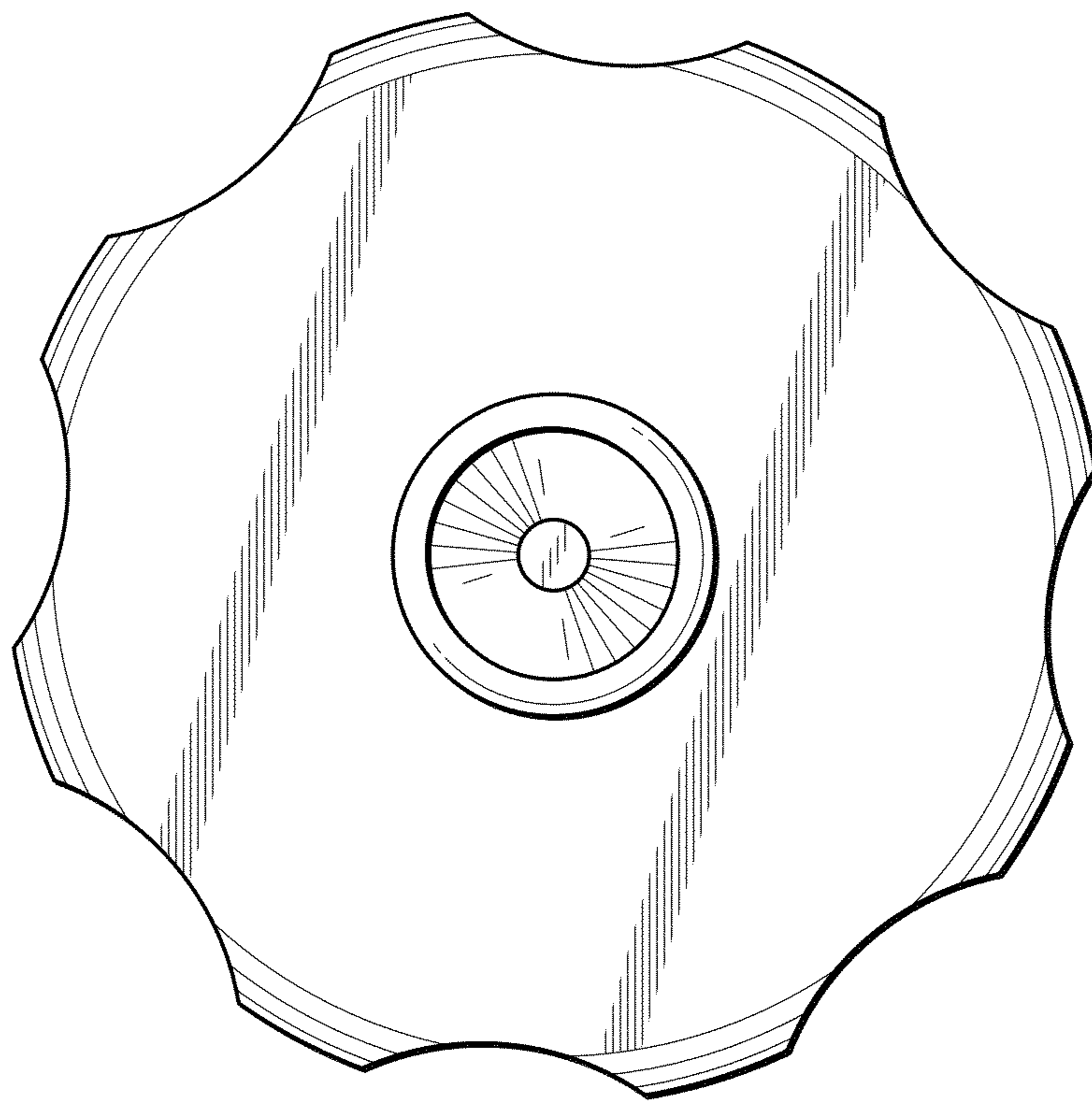


FIG. 3

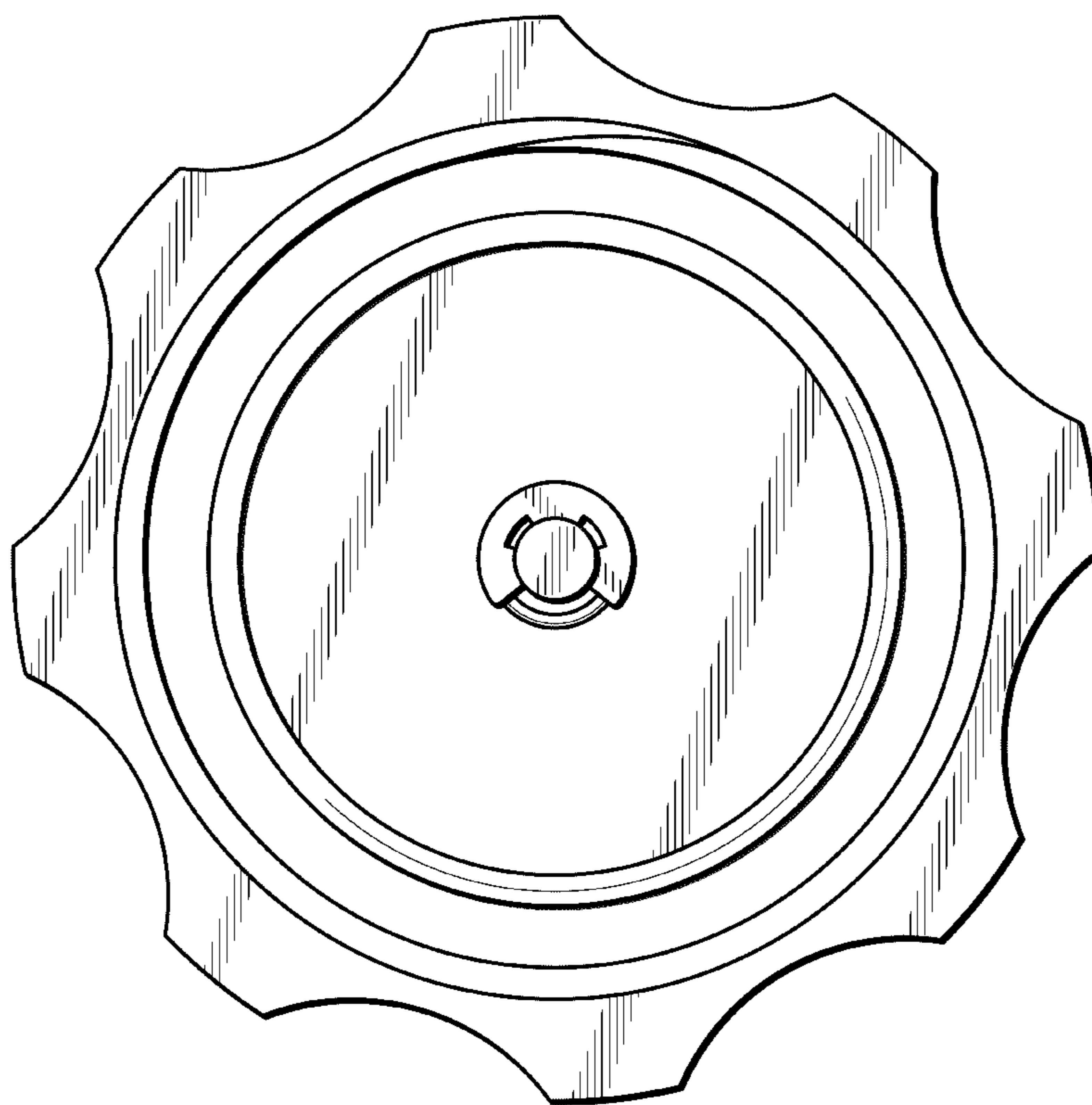


FIG. 4

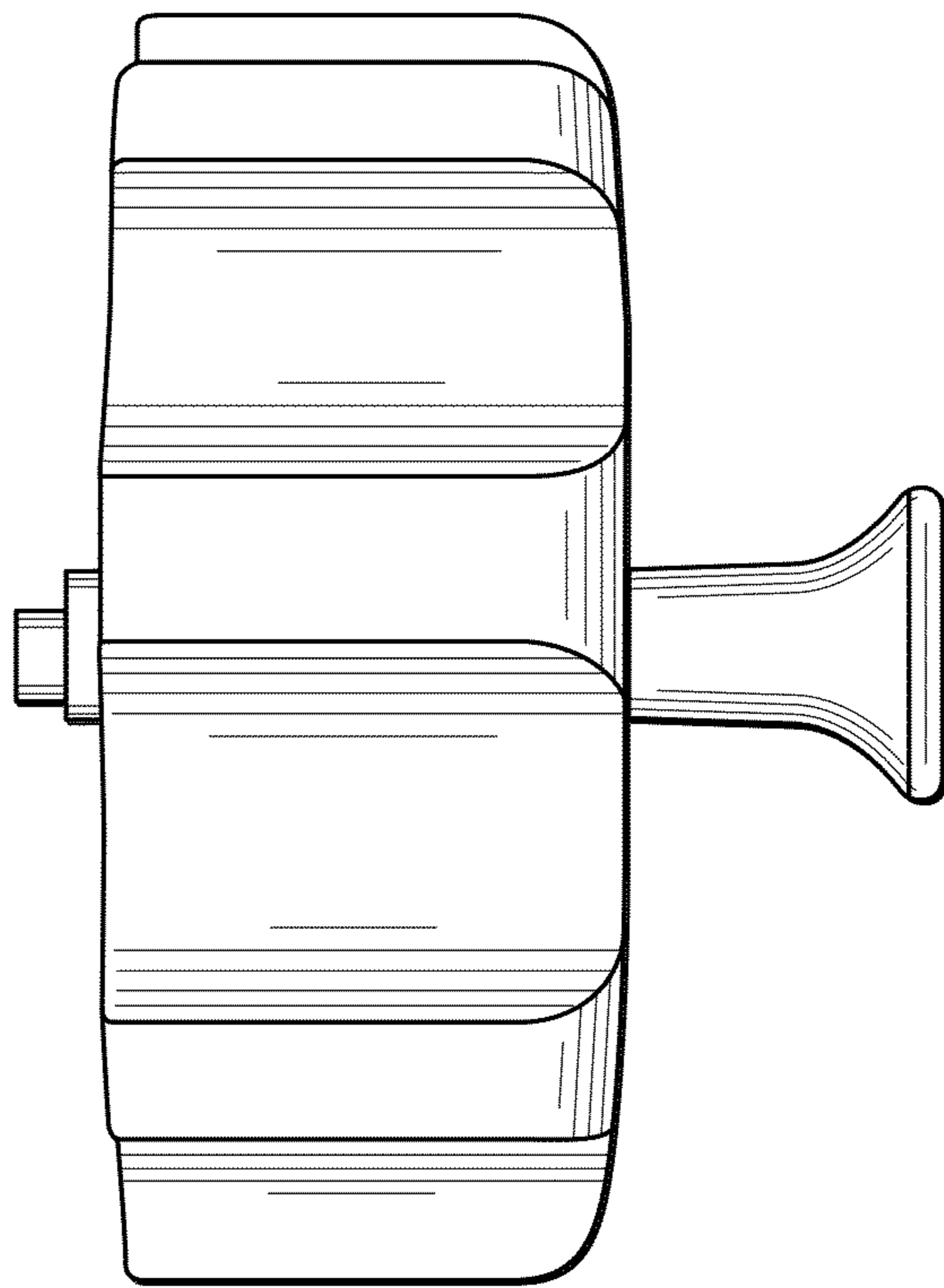


FIG. 5

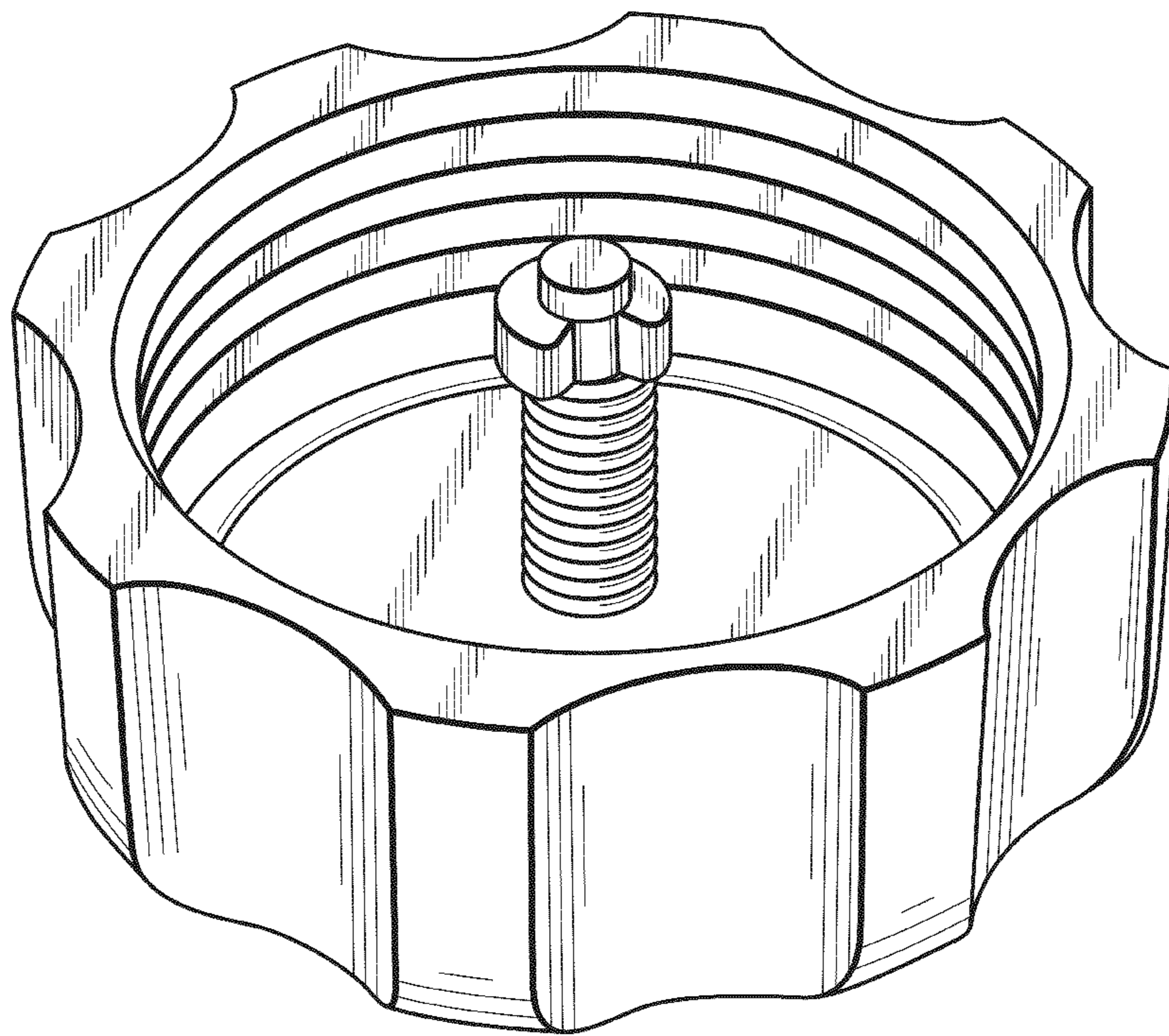


FIG. 6

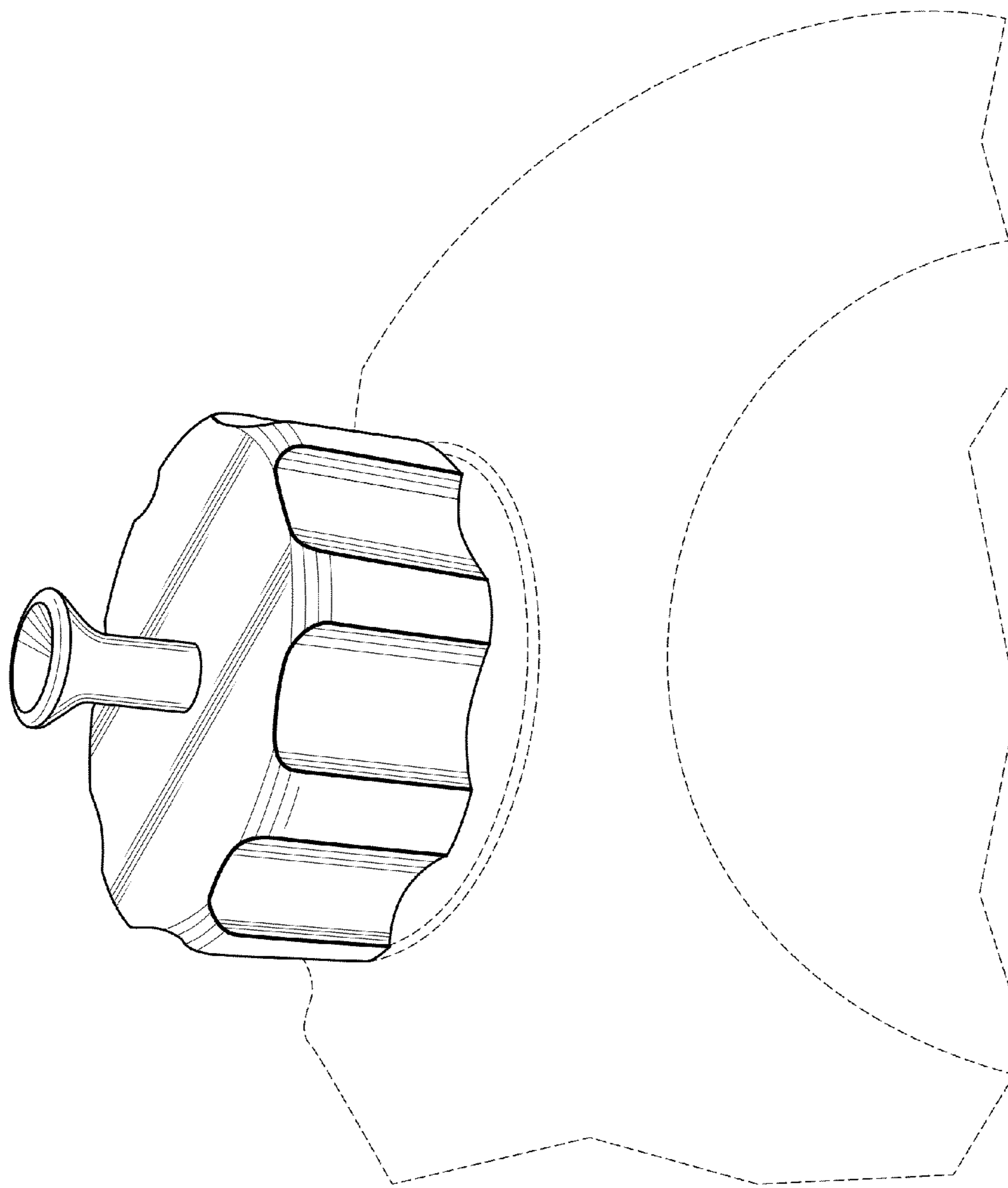


FIG. 7