

US00D760343S

(12) **United States Design Patent**
Kim

(10) **Patent No.:** **US D760,343 S**
(45) **Date of Patent:** **** Jun. 28, 2016**

(54) **FISHING LINE CONNECTOR**

(71) Applicant: **Il Han Kim**, Daegu (KR)

(72) Inventor: **Il Han Kim**, Daegu (KR)

(73) Assignee: **Il Han Kim**, Daegu (KR)

(**) Term: **14 Years**

(21) Appl. No.: **29/521,134**

(22) Filed: **Mar. 20, 2015**

(30) **Foreign Application Priority Data**

Nov. 26, 2014 (KR) 30-2014-0056994

(51) **LOC (10) Cl.** **22-05**

(52) **U.S. Cl.**
USPC **D22/134**

(58) **Field of Classification Search**
USPC D22/134, 199; 43/42.49, 42.74, 43.12,
43/44.84, 44.92; 24/131 C, 131 R, 601.1,
24/601.3, 601.8

CPC A01K 91/04; A01K 91/053; F16B 2/248
See application file for complete search history.

(56) **References Cited**

U.S. PATENT DOCUMENTS

2,315,295 A * 3/1943 Stogermayr A01K 91/053
24/131 R
3,277,549 A * 10/1966 Bradshaw A01K 91/04
24/601.1

4,234,998 A * 11/1980 McMickle F16B 2/248
24/601.3
4,656,699 A * 4/1987 Maahs A01K 91/04
24/601.3
5,655,329 A * 8/1997 Yong-Set A01K 91/04
24/601.8
5,781,972 A * 7/1998 Steed A01K 91/04
24/131 C
D430,261 S * 8/2000 Yong-Set D22/134
D536,763 S * 2/2007 Friedrichs D22/134

* cited by examiner

Primary Examiner — Catheri Oliver-Garcia

(74) *Attorney, Agent, or Firm* — Paratus Law Group, PLLC

(57) **CLAIM**

The ornamental design for a “fishing line connector,” as shown and described.

DESCRIPTION

FIG. 1 is a perspective view of fishing line connector showing the claimed design;
FIG. 2 is a front elevational view thereof;
FIG. 3 is a rear elevational view thereof;
FIG. 4 is a left side elevational view thereof;
FIG. 5 is a right side elevational view thereof;
FIG. 6 is a top view thereof; and,
FIG. 7 is a bottom view thereof.

1 Claim, 6 Drawing Sheets

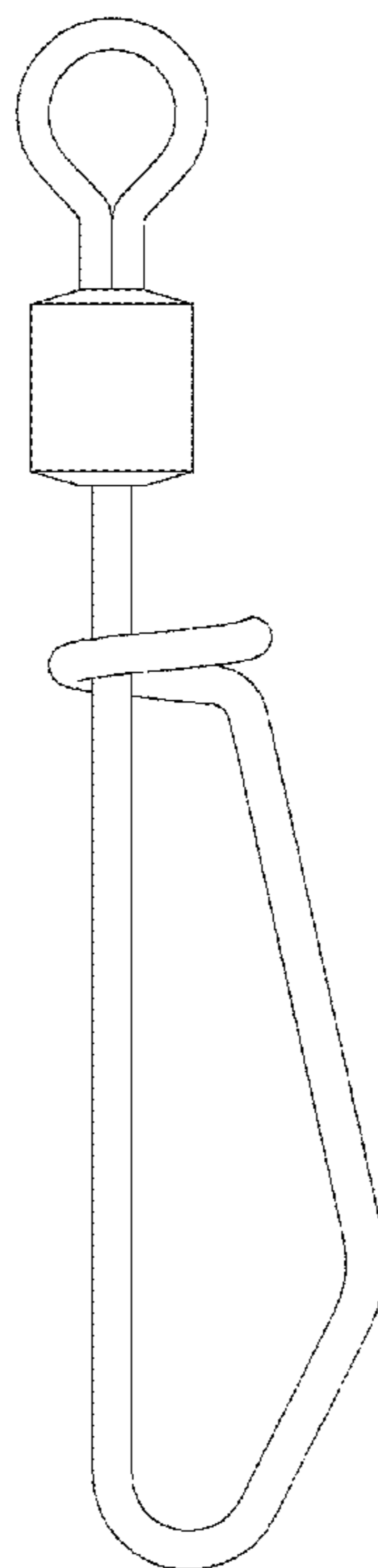


FIG. 1

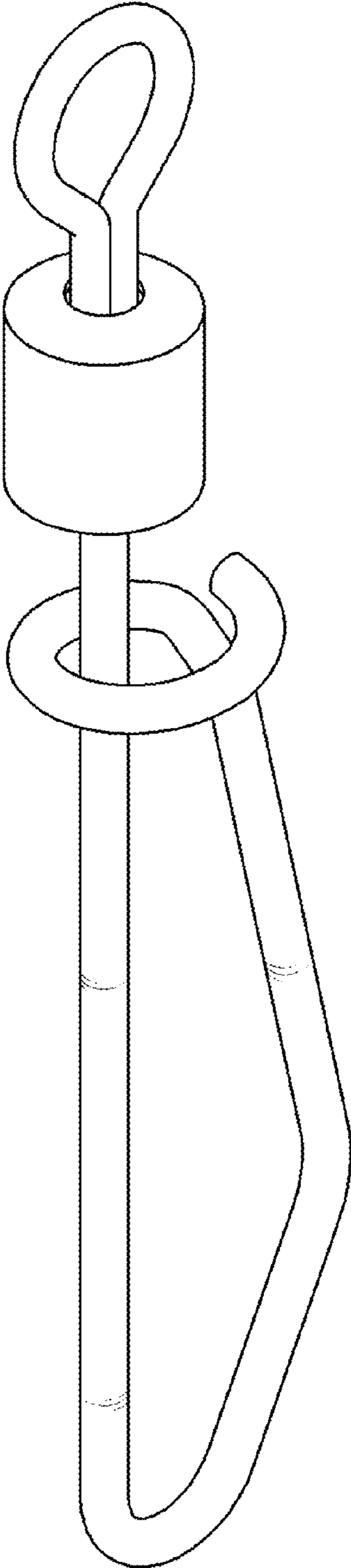


FIG. 2

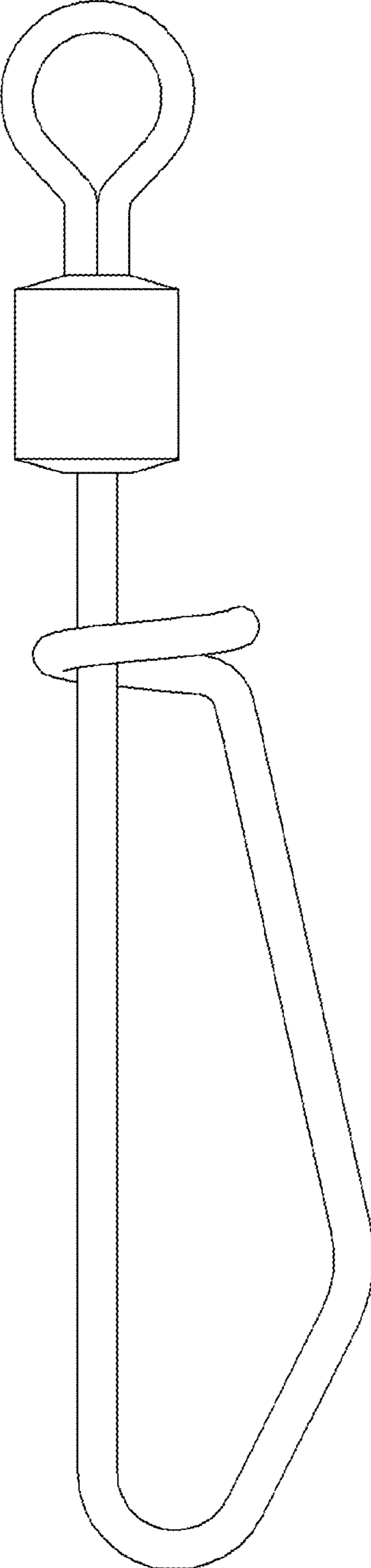


FIG. 3

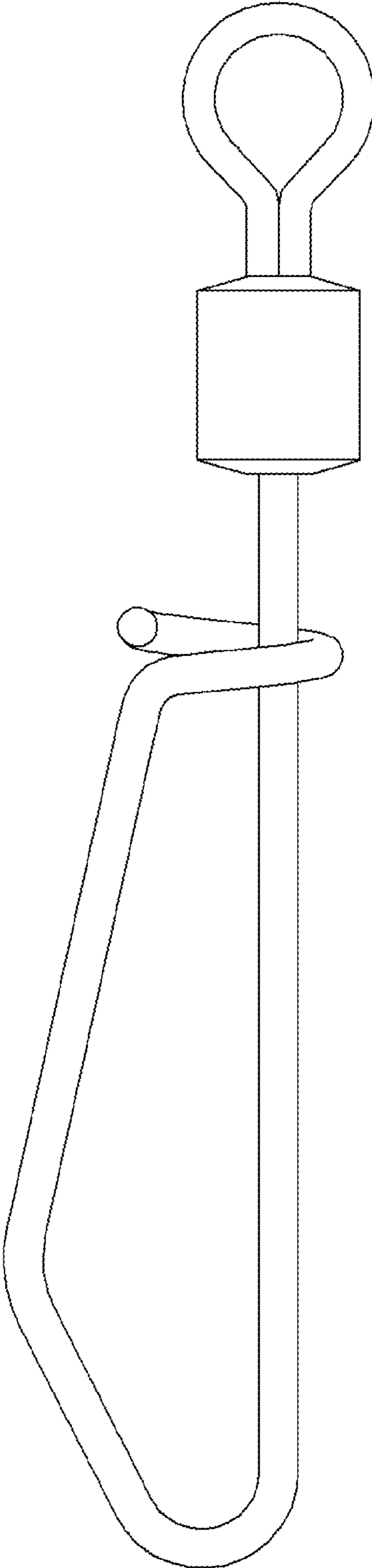


FIG. 4

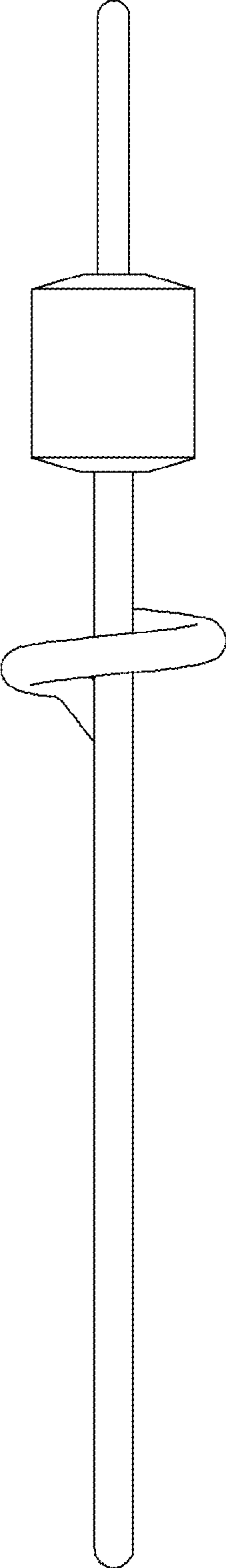


FIG. 5

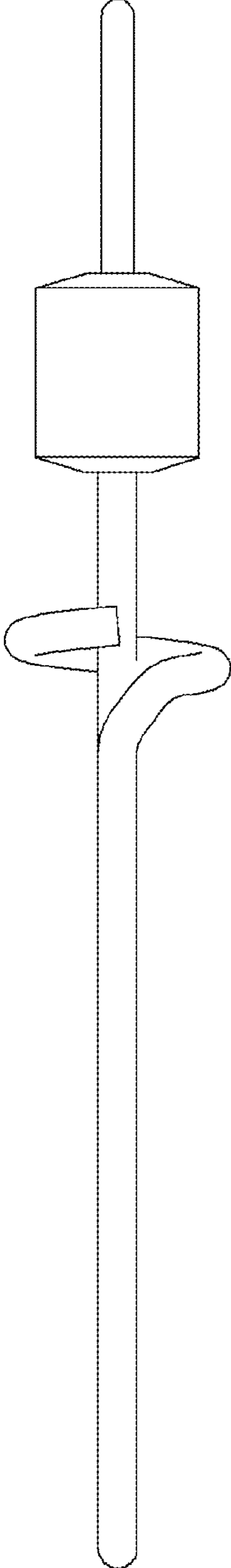


FIG. 6

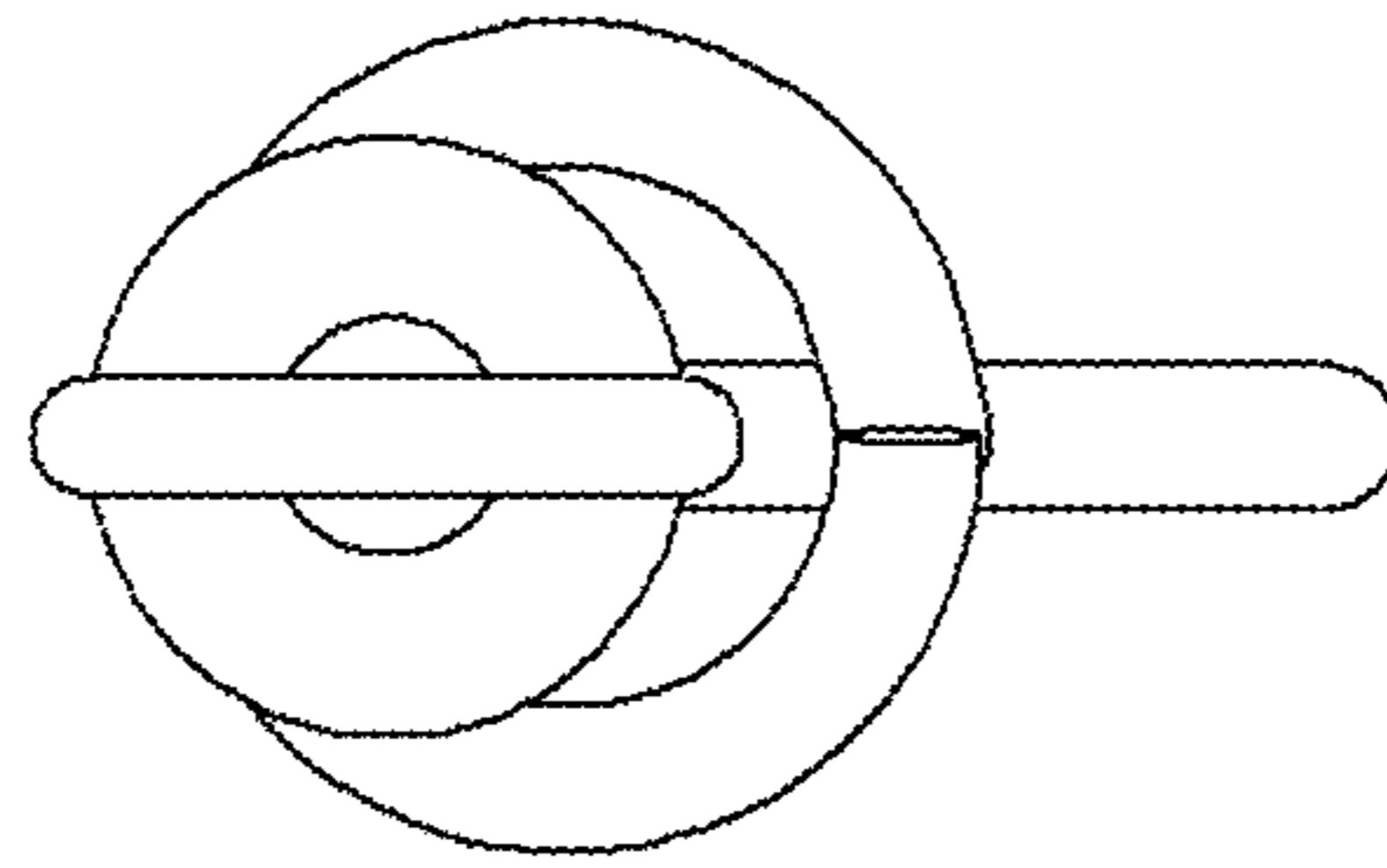


FIG. 7

