



US00D760340S

(12) **United States Design Patent**
Goess et al.

(10) **Patent No.:** **US D760,340 S**
(45) **Date of Patent:** **** Jun. 28, 2016**

(54) **RETICLE FOR TELESCOPIC GUN SCOPE**

6,357,158 B1 3/2002 Smith, III
D456,057 S 4/2002 Smith, III
D475,758 S 6/2003 Ishikawa

(71) Applicant: **NIKON INC.**, Melville, NY (US)

(Continued)

(72) Inventors: **Adam M. Goess**, Lake Ronkonkoma, NY (US); **Jon B. Lacorte**, East Northport, NY (US)

OTHER PUBLICATIONS

Thomas D. Smith, III, "Beware the One-Gun Man!", Thomas D. Smith, III, Inc., pp. 55-62 and 65 and 2 pages of drawings (fig. 1-4), 1992.

(73) Assignee: **NIKON INC.**, Melville, NY (US)

Primary Examiner — Michael A Pratt

(**) Term: **14 Years**

(74) *Attorney, Agent, or Firm* — Oliff PLC

(21) Appl. No.: **29/511,188**

(57) **CLAIM**

The ornamental design for a reticle for a telescopic gun scope, as shown and described.

(22) Filed: **Dec. 8, 2014**

DESCRIPTION

(51) **LOC (10) Cl.** **22-01**

(52) **U.S. Cl.**
USPC **D22/109**

(58) **Field of Classification Search**
USPC D22/109; D14/404; D16/130-133,
D16/134-136
CPC F41G 3/06; F41G 3/00; F41G 3/005;
F41G 3/02; F41G 1/473; F41G 1/44; F41G
1/12; F41G 11/00
See application file for complete search history.

FIG. 1 is a front, top, left-side perspective view of the reticle for a telescopic gun scope according to a first embodiment; FIG. 2 is a front elevational view thereof, the rear elevational view being a mirror image of the front elevational view; FIG. 3 is a left-side elevational view thereof, the right-side elevational view being a mirror image of the left-side elevational view; FIG. 4 is a top plan view thereof, the bottom plan view being a mirror image of the top plan view; and FIG. 5 is an enlarged front elevational view of area 5 shown in FIG. 2.

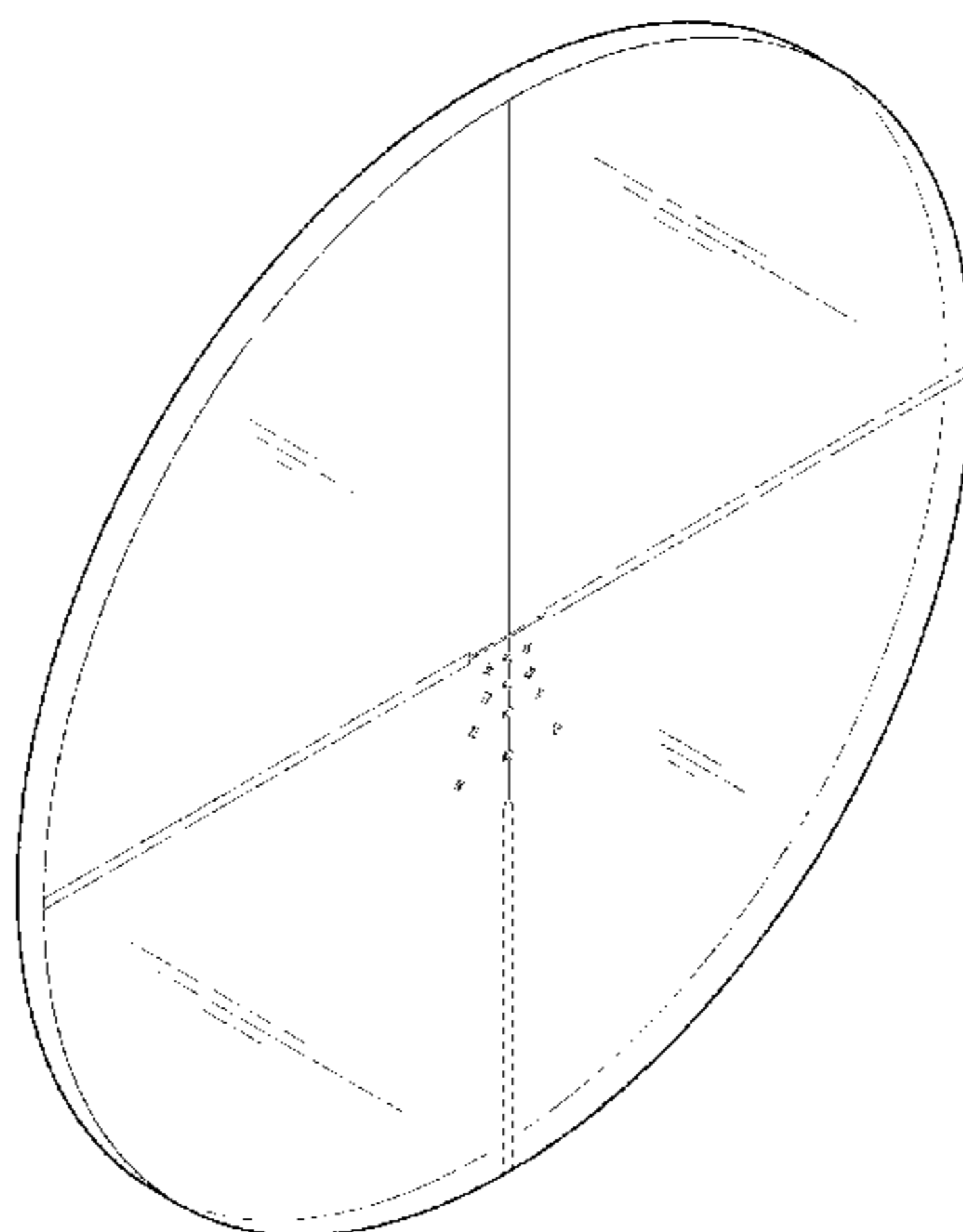
(56) **References Cited**

U.S. PATENT DOCUMENTS

3,190,003	A	6/1965	O'Brien
3,392,450	A	7/1968	Herter et al.
4,285,137	A	8/1981	Jennie
4,584,776	A	4/1986	Shepherd
D285,540	S	9/1986	Allen
4,789,231	A	12/1988	Shimizu
D306,173	S	2/1990	Reese
5,491,546	A	2/1996	Wascher et al.
D397,704	S	9/1998	Reese
D403,686	S	1/1999	Reese
5,920,995	A	7/1999	Sammut
6,032,374	A	3/2000	Sammut

FIG. 6 is a front, top, left-side perspective view of the reticle for a telescopic gun scope according to a second embodiment; FIG. 7 is a front elevational view thereof, the rear elevational view being a mirror image of the front elevational view; FIG. 8 is a left-side elevational view thereof, the right-side elevational view being a mirror image of the left-side elevational view; FIG. 9 is as top plan view thereof, the bottom plan view being a mirror image of the top plan view; and, FIG. 10 is an enlarged front elevational view of area 10 shown in FIG. 7.

1 Claim, 6 Drawing Sheets



(56)

References Cited

U.S. PATENT DOCUMENTS

6,591,537 B2 7/2003 Smith
6,681,512 B2 1/2004 Sammut
D517,153 S 3/2006 Timm et al.
D530,775 S 10/2006 LaCorte
D530,776 S 10/2006 LaCorte
7,171,775 B1 2/2007 LaCorte
D567,326 S * 4/2008 Pride D22/109
D609,769 S 2/2010 LaCorte
7,793,456 B1 9/2010 LaCorte

D630,291 S * 1/2011 Pride D22/109
D651,682 S * 1/2012 Beckett D22/109
D700,944 S * 3/2014 Mikroulis D22/109
D700,945 S * 3/2014 Mikroulis D22/109
D715,394 S * 10/2014 Young D22/109
D720,033 S * 12/2014 Mikroulis D22/109
D730,476 S * 5/2015 Dommett D22/109
2001/0017730 A1 8/2001 Ruh
2002/0124452 A1 9/2002 Sammut
2004/0016168 A1 1/2004 Thomas et al.
2005/0005495 A1 1/2005 Smith
2005/0229468 A1 10/2005 Zaderay et al.

* cited by examiner

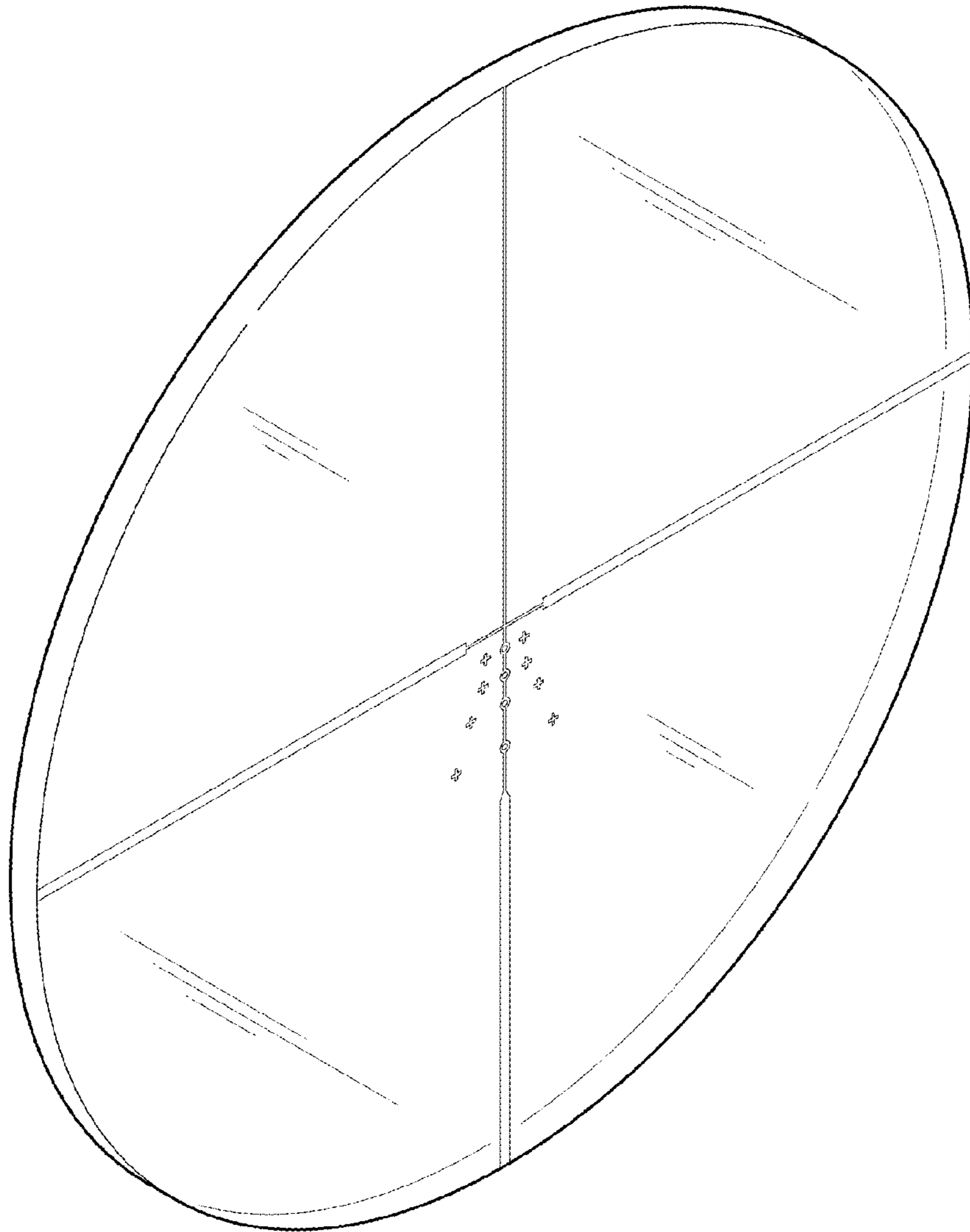


FIG. 1

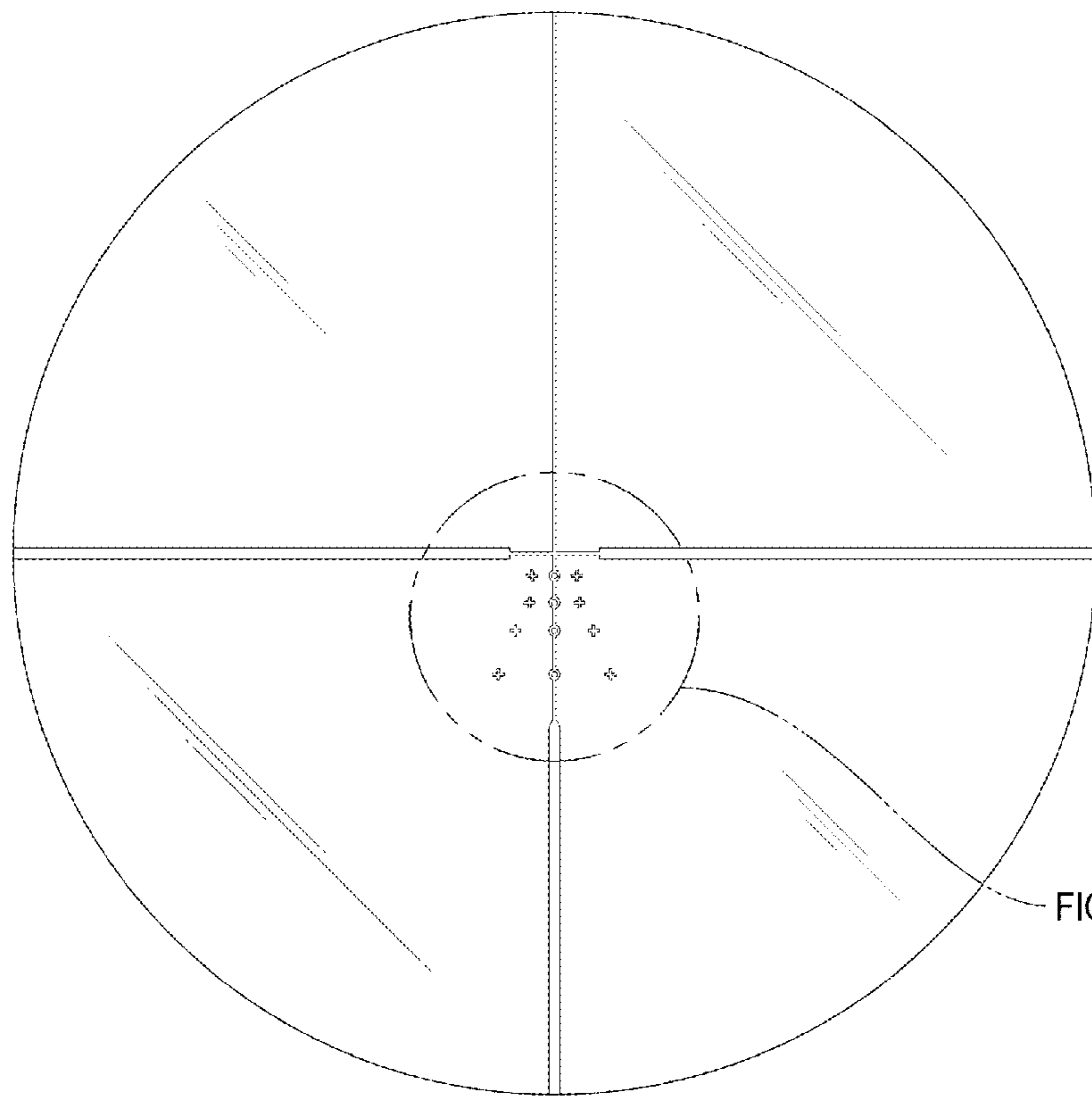


FIG. 2

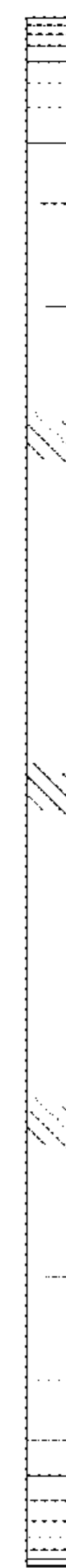


FIG. 3

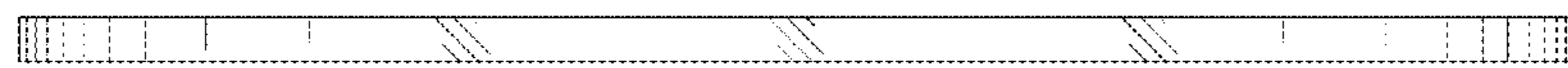


FIG. 4

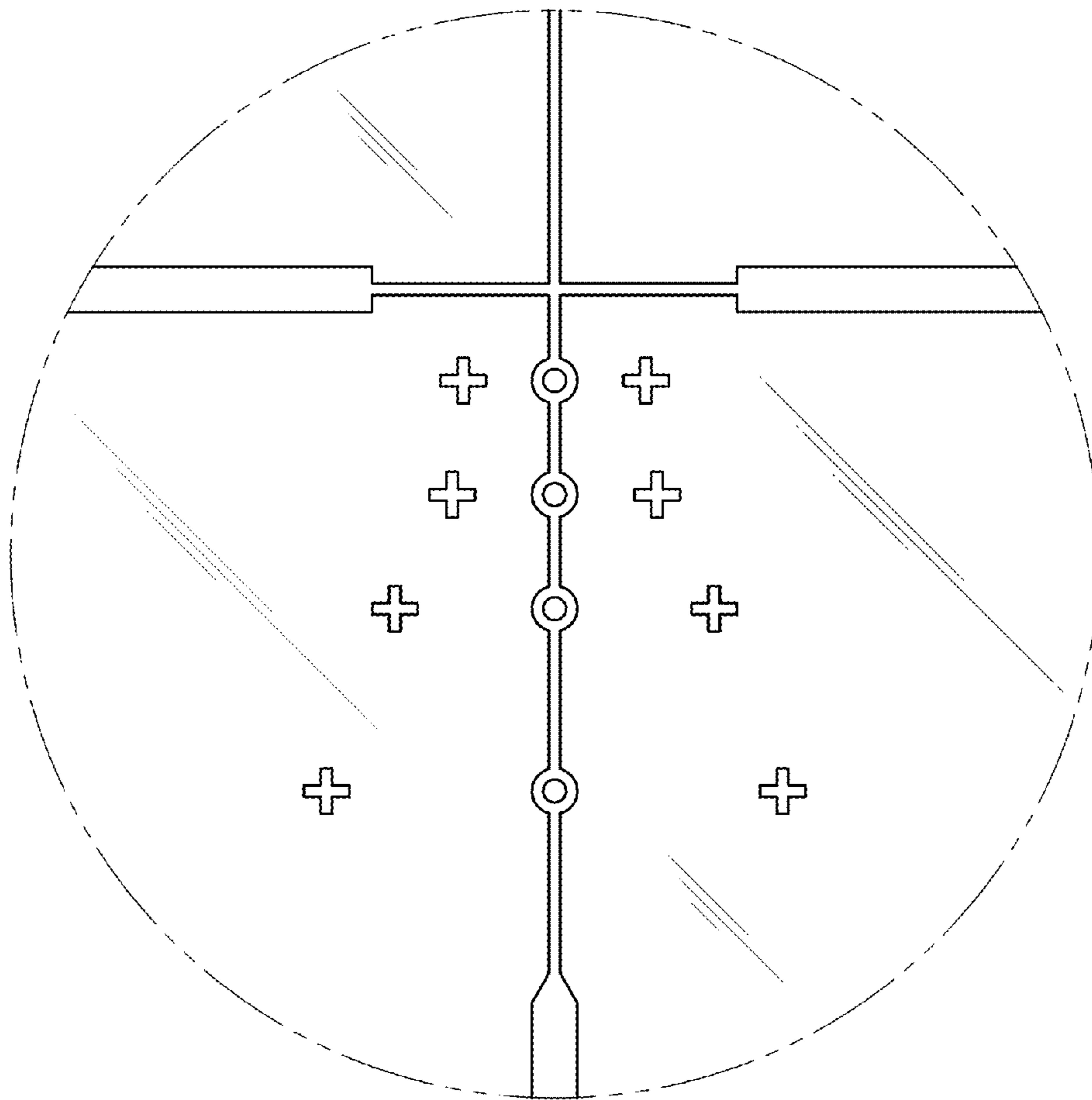


FIG. 5

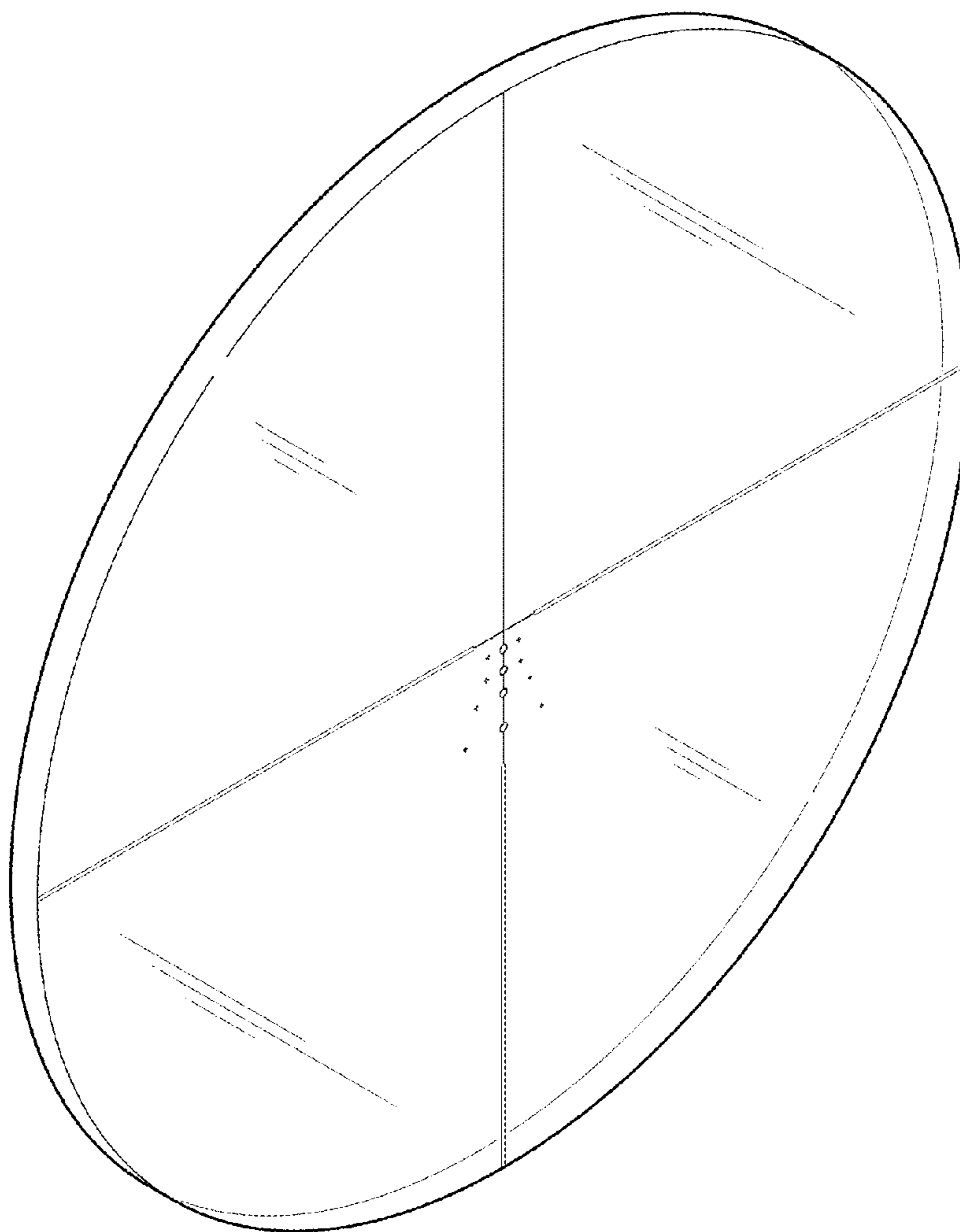


FIG. 6

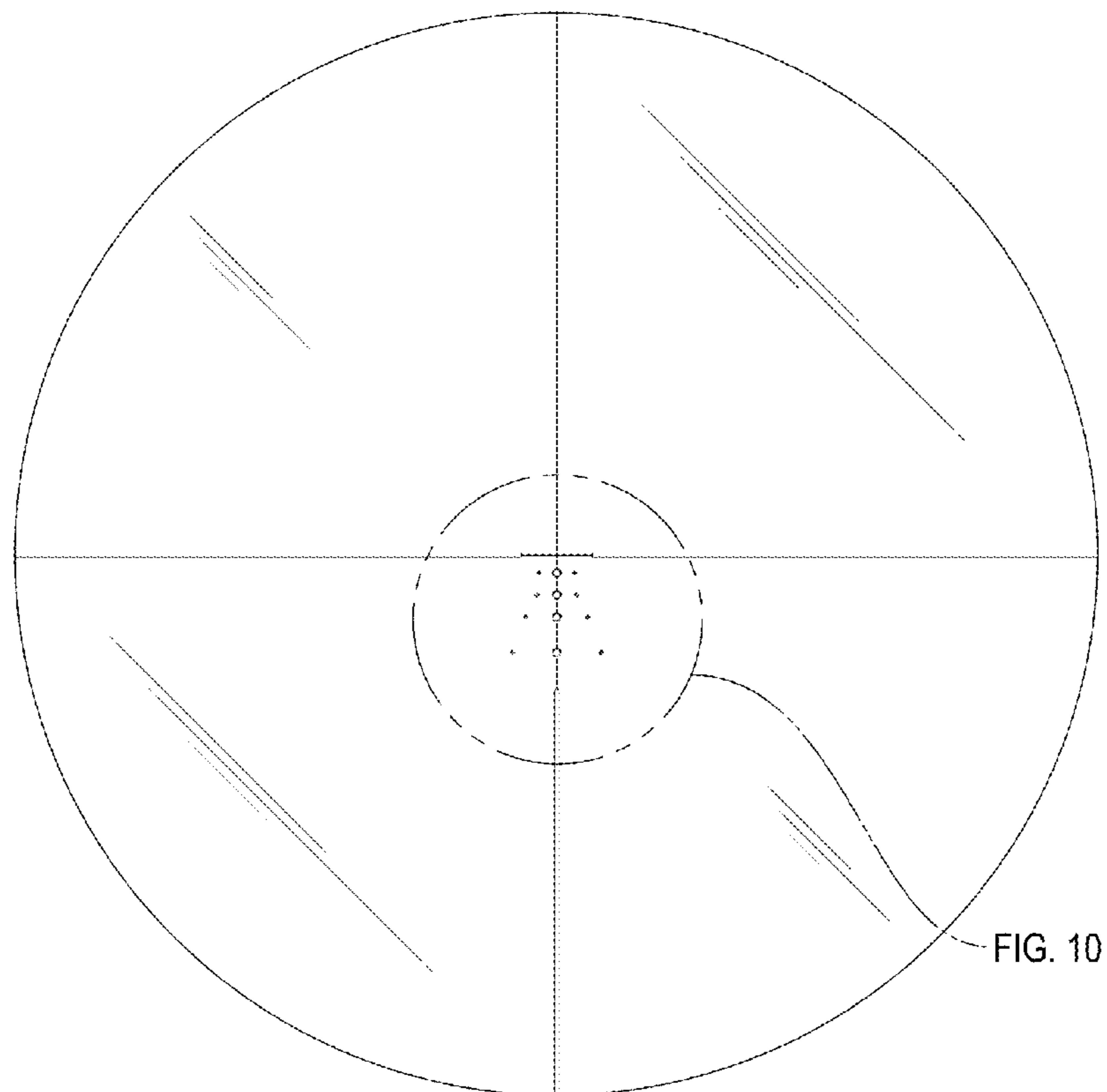


FIG. 7

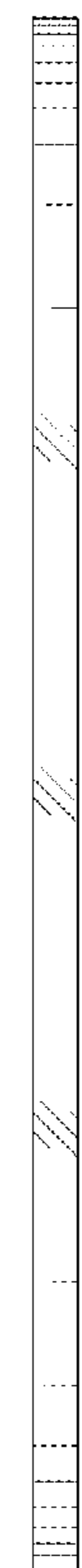


FIG. 8

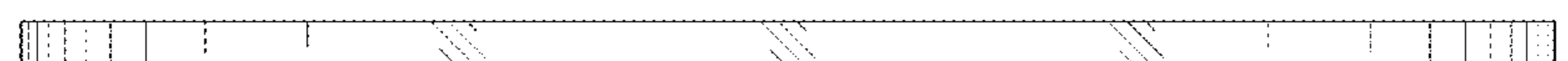


FIG. 9

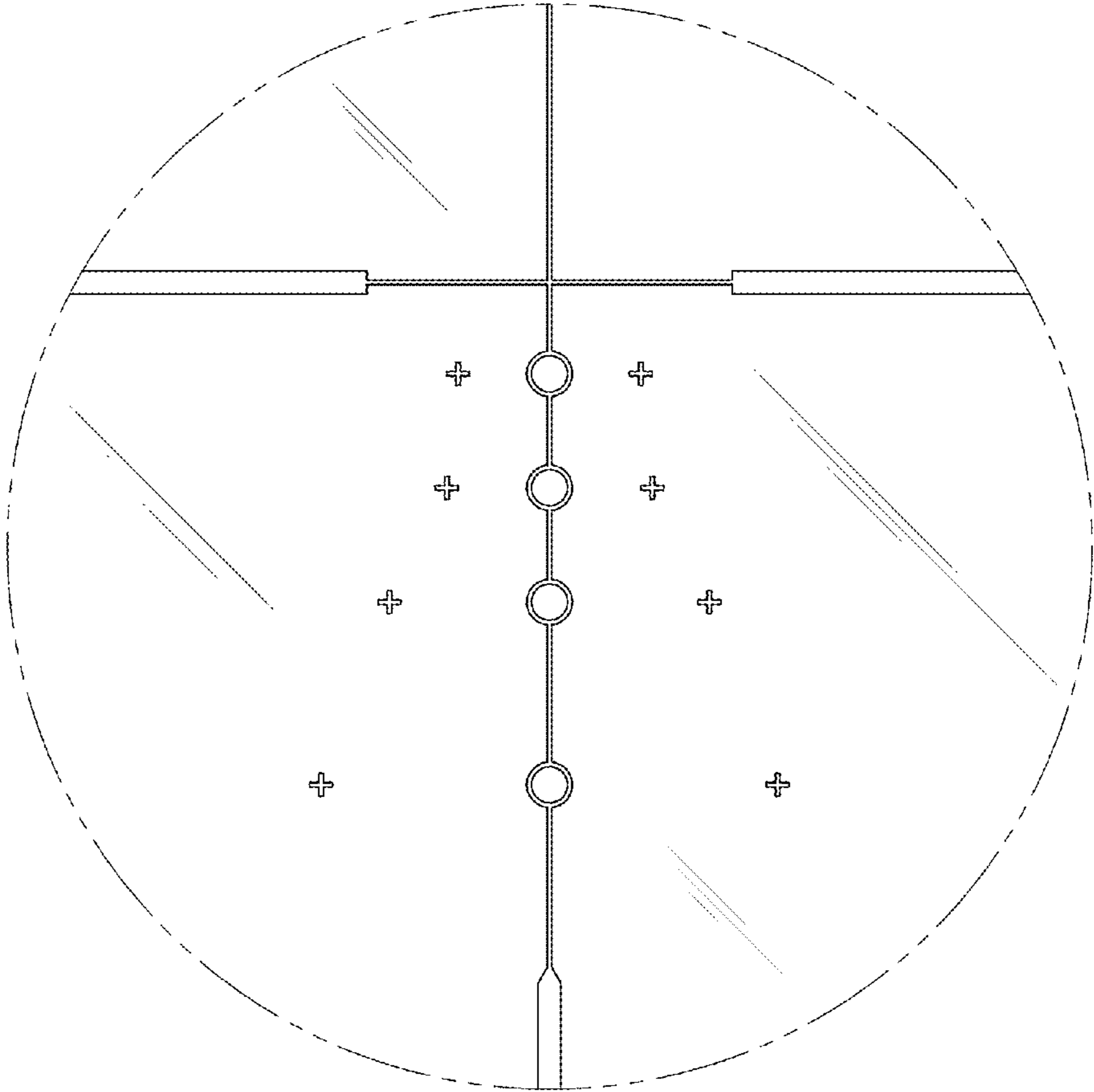


FIG. 10