



US00D760338S

(12) **United States Design Patent**
Larson, Jr.

(10) **Patent No.:** **US D760,338 S**
(45) **Date of Patent:** **** Jun. 28, 2016**

- (54) **FIREARM**
- (71) Applicant: **Rock River Arms, Inc.**, Colona, IL (US)
- (72) Inventor: **Lester C. Larson, Jr.**, Colona, IL (US)
- (73) Assignee: **Rock River Arms, Inc.**, Colona, IL (US)
- (**) Term: **14 Years**
- (21) Appl. No.: **29/514,890**
- (22) Filed: **Jan. 16, 2015**
- (51) **LOC (10) Cl.** **22-01**
- (52) **U.S. Cl.**
USPC **D22/108**
- (58) **Field of Classification Search**
USPC D8/103, 108; D21/572–575
CPC F41C 23/10; F41C 23/14; F41C 23/16;
F41C 23/18; F41C 23/00; F41C 27/00;
F41C 27/06
See application file for complete search history.

- D686,000 S * 7/2013 Johnson D5/62
- D695,866 S * 12/2013 Larson D22/108
- D695,868 S * 12/2013 Larson D22/108
- D695,869 S * 12/2013 Larson D22/108
- D696,375 S * 12/2013 Larson D22/108
- D699,312 S * 2/2014 Larson D22/108
- D699,313 S * 2/2014 Larson D22/108
- D702,308 S * 4/2014 Glock D22/108
- 2009/0258195 A1 * 10/2009 Lauer F41H 3/02
428/195.1
- 2011/0214327 A1 * 9/2011 Desomma F41A 3/66
42/75.02
- 2012/0117845 A1 * 5/2012 Desomma F41A 3/66
42/75.02
- 2013/0205636 A1 * 8/2013 Shull F41C 23/16
42/72

* cited by examiner

Primary Examiner — Michael A Pratt

(74) *Attorney, Agent, or Firm* — Banner & Witcoff, Ltd.

(57) **CLAIM**

The ornamental design for a firearm, as shown and described.

DESCRIPTION

FIG. 1 is a right side view of a firearm showing my new design;

FIG. 2 is a top, front, right perspective view thereof with some unclaimed subject matter omitted; and,

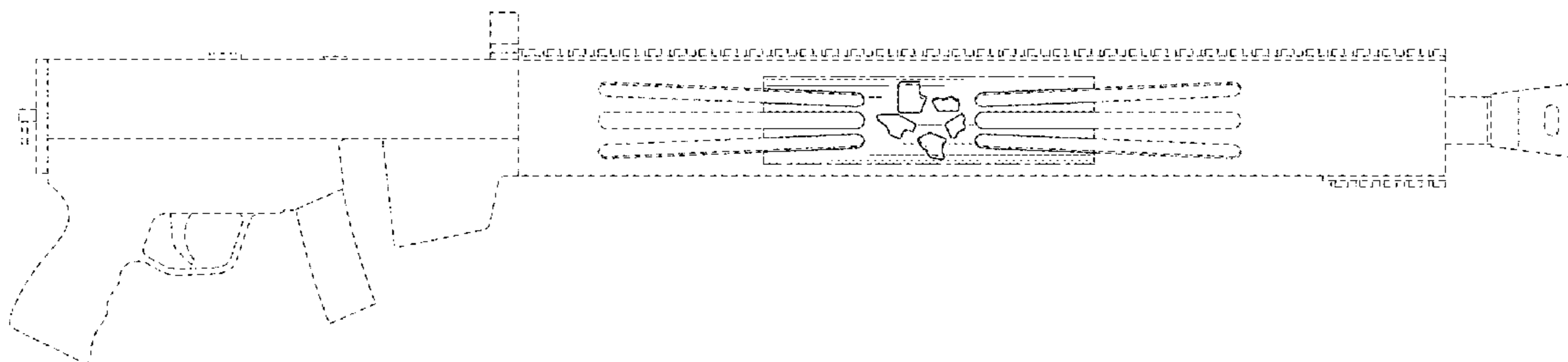
FIG. 3 is an enlarged right side view thereof with all unclaimed subject matter omitted.

The uneven-length broken lines represent unclaimed boundaries of the claimed design. The even-length break lines in FIG. 2 are for illustrative purposes only and form no part of the claimed design or the article of manufacture. The even-length broken lines showing the remainder of the firearm are for environmental purposes only and form no part of the claimed design.

1 Claim, 3 Drawing Sheets

(56) **References Cited**
U.S. PATENT DOCUMENTS

- 4,837,056 A * 6/1989 Easley B05D 1/32
42/71.01
- 5,615,508 A * 4/1997 Miller F41C 23/18
42/71.01
- 6,895,708 B2 * 5/2005 Kim F41G 11/003
42/106
- D639,376 S * 6/2011 Ding D22/108
- D641,450 S * 7/2011 Ding D22/108
- 8,201,353 B1 * 6/2012 Swan F41C 23/16
42/71.01
- 8,230,634 B1 * 7/2012 Davies F41A 3/66
42/75.02
- 8,276,303 B2 * 10/2012 Kapusta F41C 23/16
42/71.01
- D685,999 S * 7/2013 Johnson D5/62



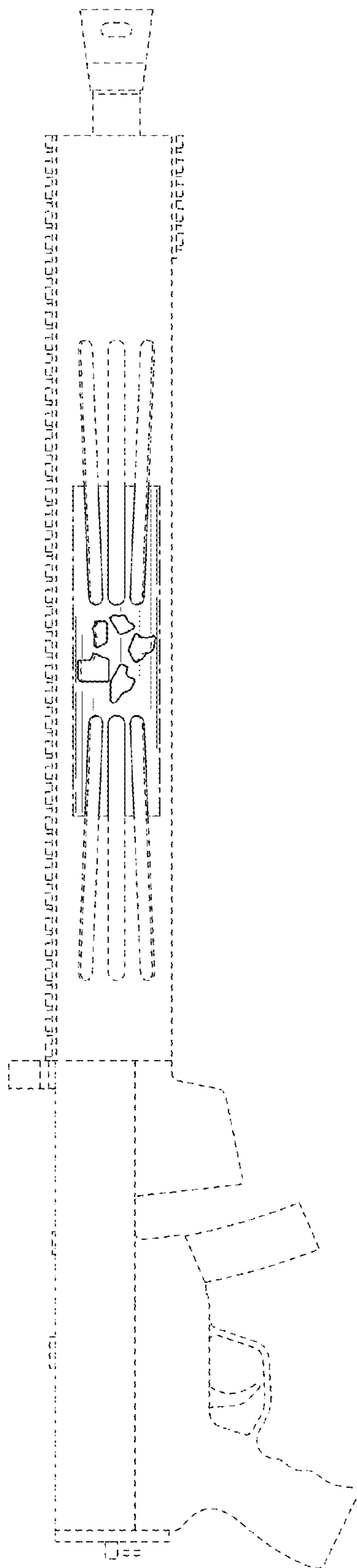


FIG. 1

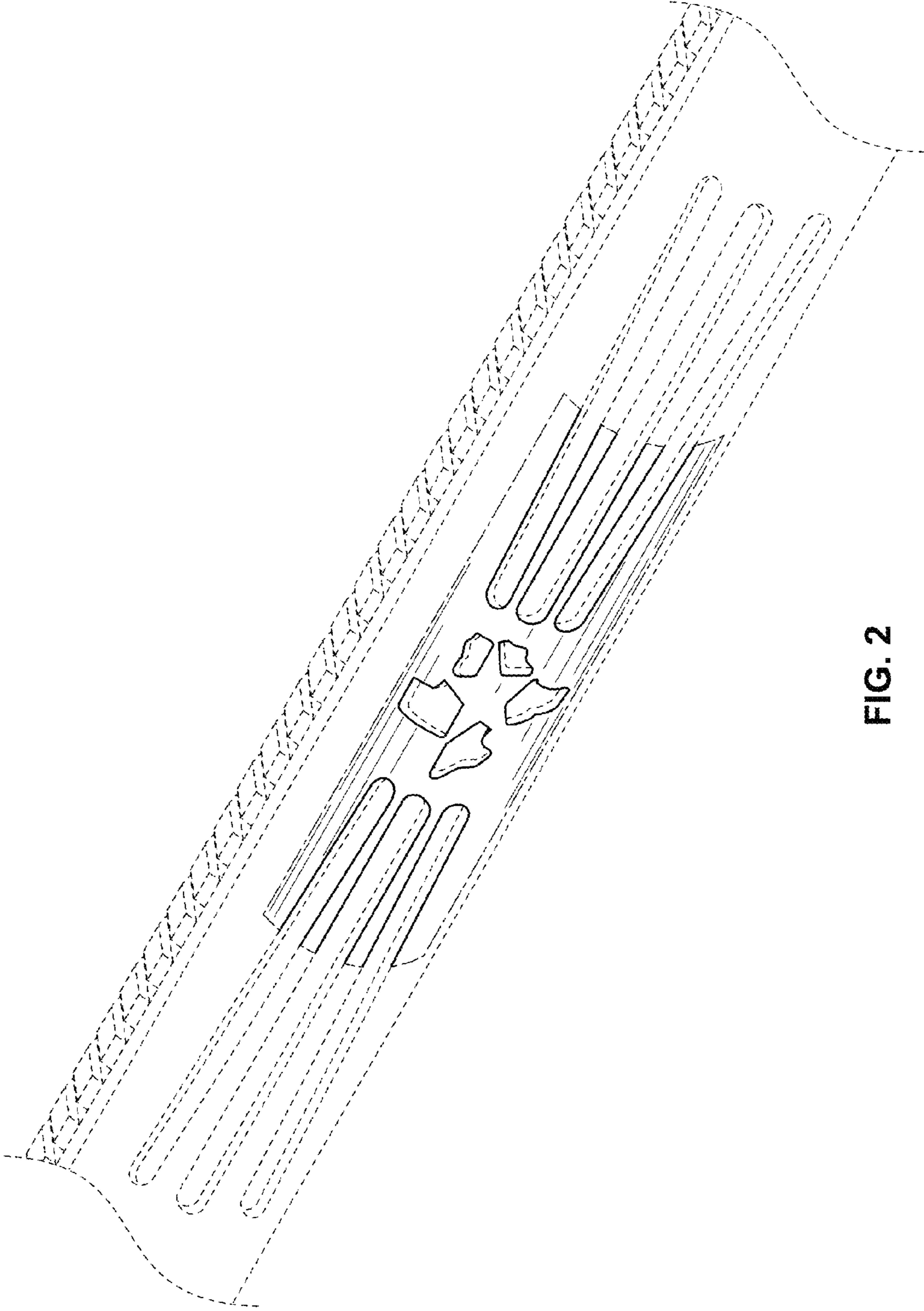


FIG. 2

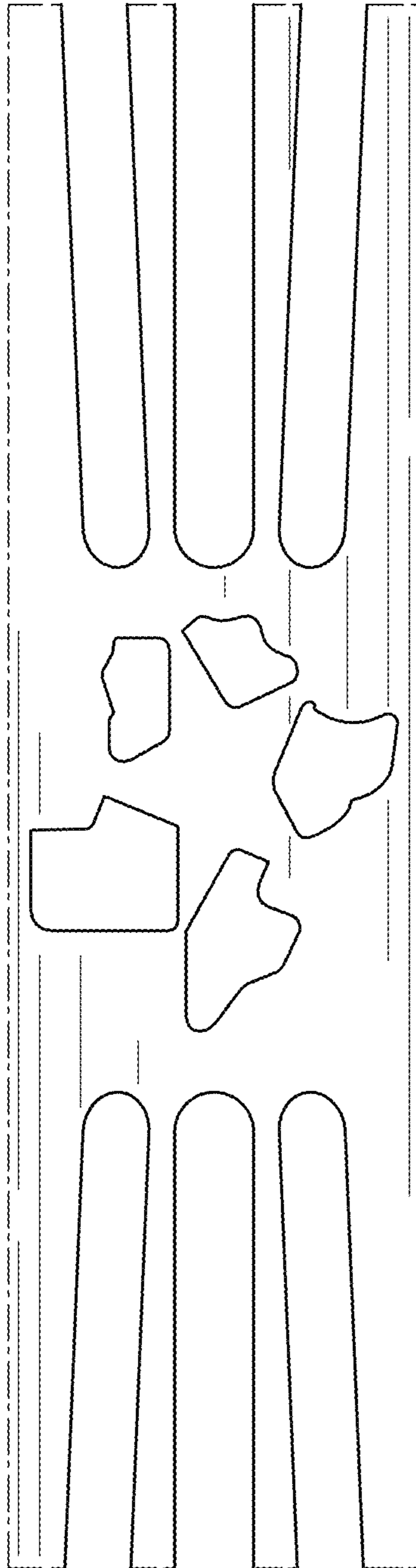


FIG. 3