

US00D760337S

(12) **United States Design Patent**
Holland et al.

(10) **Patent No.:** **US D760,337 S**
(45) **Date of Patent:** **** Jun. 28, 2016**

(54) **PUTTING PRACTICE MAT**
(71) Applicant: **Pro Performance Sports, L.L.C.**,
Carlsbad, CA (US)
(72) Inventors: **Allen Keith Holland**, Carlsbad, CA
(US); **Kash Oris Bell**, Carlsbad, CA
(US); **Ryan Westphal**, Carlsbad, CA
(US)

D431,855 S * 10/2000 Rose D21/791
6,607,448 B2 * 8/2003 Moore A63B 63/08
473/160
D481,092 S * 10/2003 Ray D21/791
6,716,113 B1 * 4/2004 Manning A63B 67/02
473/166
D600,299 S * 9/2009 Hanley D21/791
D732,623 S * 6/2015 Kulikowski D21/303
D740,383 S * 10/2015 Shadle D21/791

* cited by examiner

(73) Assignee: **Pro Performance Sports, LLC**,
Carlsbad, CA (US)

Primary Examiner — Mitchell Siegel
(74) *Attorney, Agent, or Firm* — Torrey Pines Law Group,
PC; Kevin W. Buckley

(**) Term: **14 Years**

(21) Appl. No.: **29/521,460**

(22) Filed: **Mar. 24, 2015**

(51) **LOC (10) Cl.** **21-02**

(52) **U.S. Cl.**
USPC **D21/791**

(58) **Field of Classification Search**
USPC D21/789, 791, 303
CPC A63B 67/02; A63B 69/3676; A63B 63/08;
A63B 2067/025; A63B 2063/001
See application file for complete search history.

(56) **References Cited**

U.S. PATENT DOCUMENTS

5,082,280 A * 1/1992 Wang A63B 67/02
428/100
5,595,543 A * 1/1997 Wolk A63B 67/02
473/162

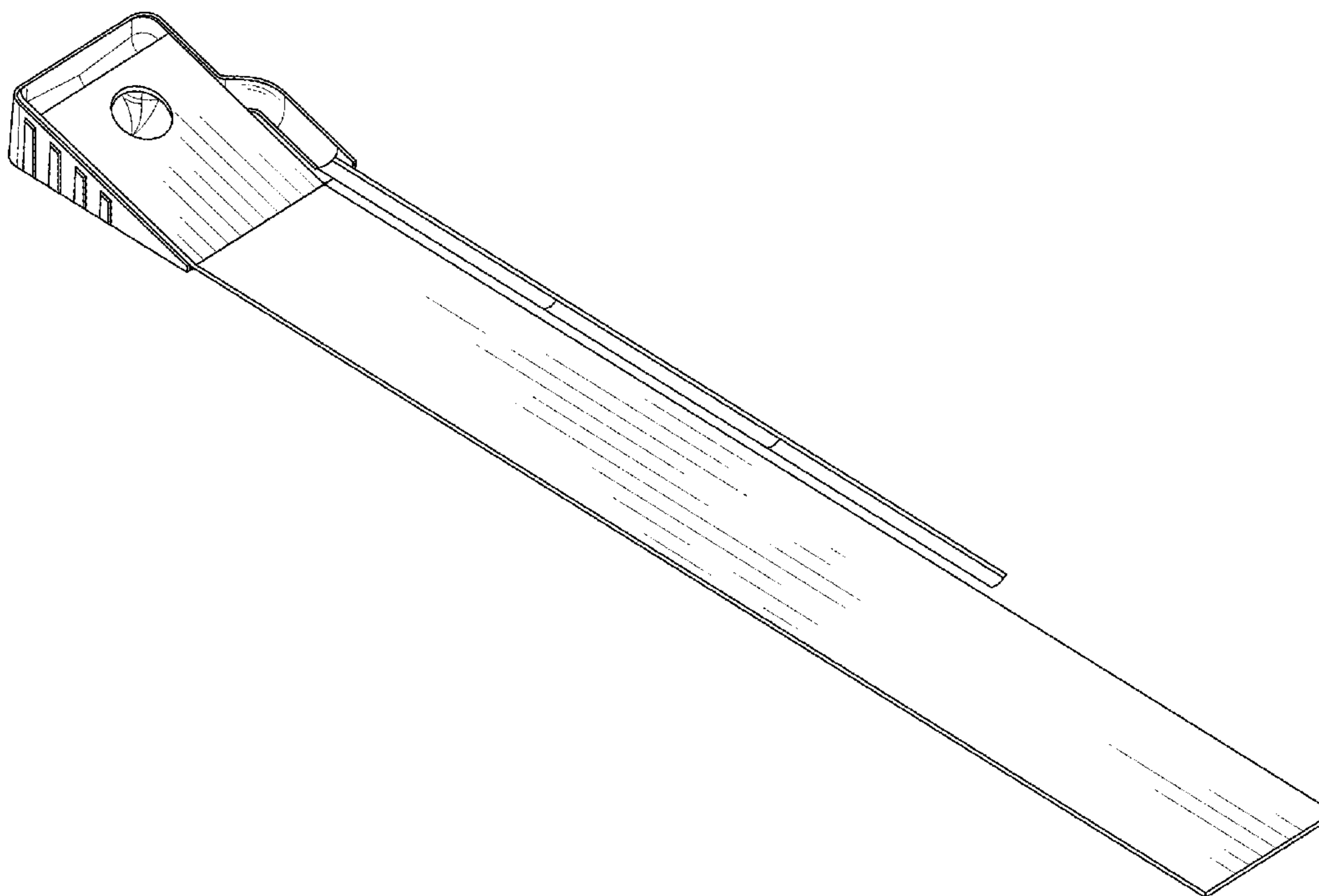
(57) **CLAIM**

The ornamental design for a putting practice mat, as shown and described.

DESCRIPTION

FIG. 1 is a top, front and right side perspective view showing our new design.
FIG. 2 is a top view.
FIG. 3 is a right side view.
FIG. 4 is a left side view.
FIG. 5 is a front view.
FIG. 6 is a rear view; and,
FIG. 7 is a bottom view.

1 Claim, 3 Drawing Sheets



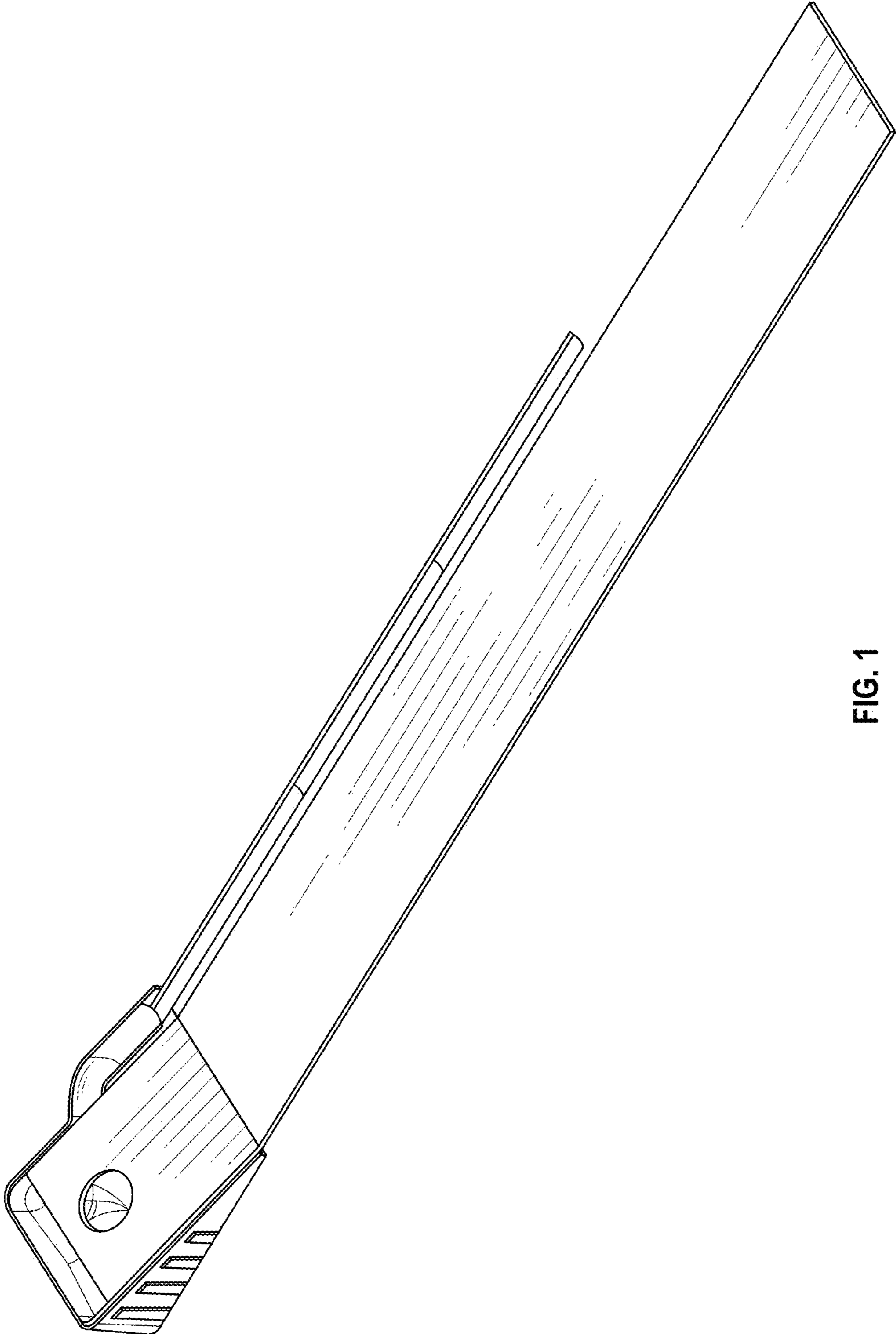


FIG. 1

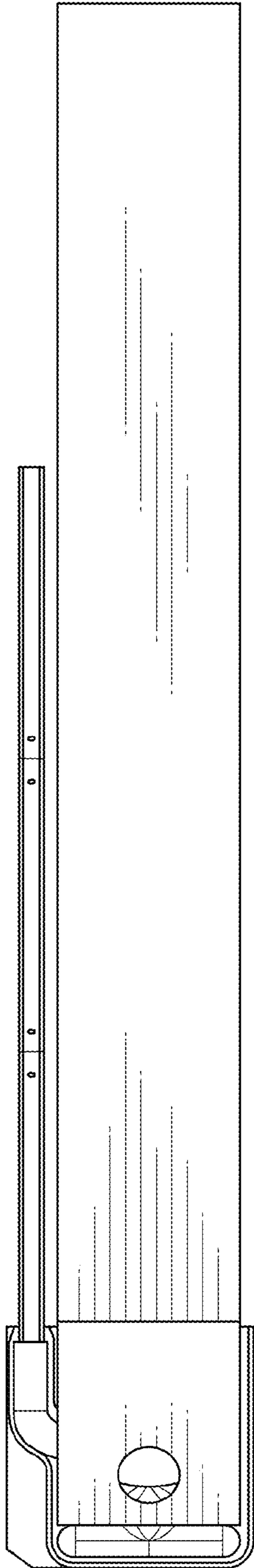


FIG. 2



FIG. 3



FIG. 4

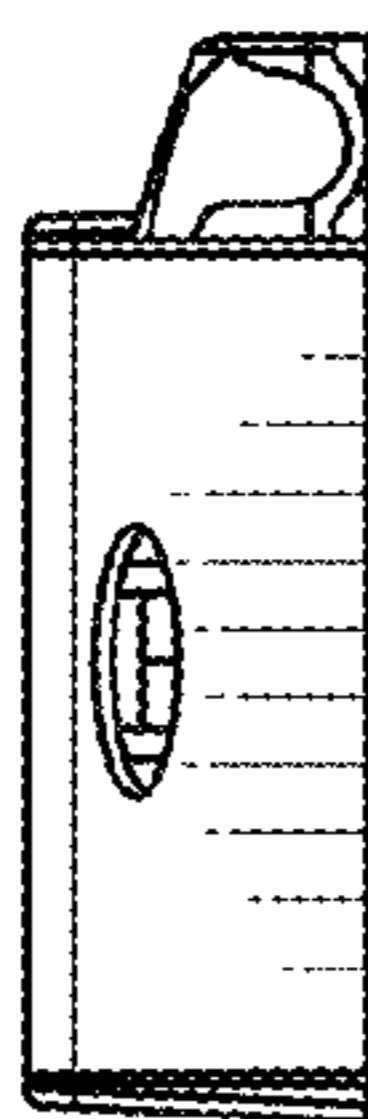


FIG. 5

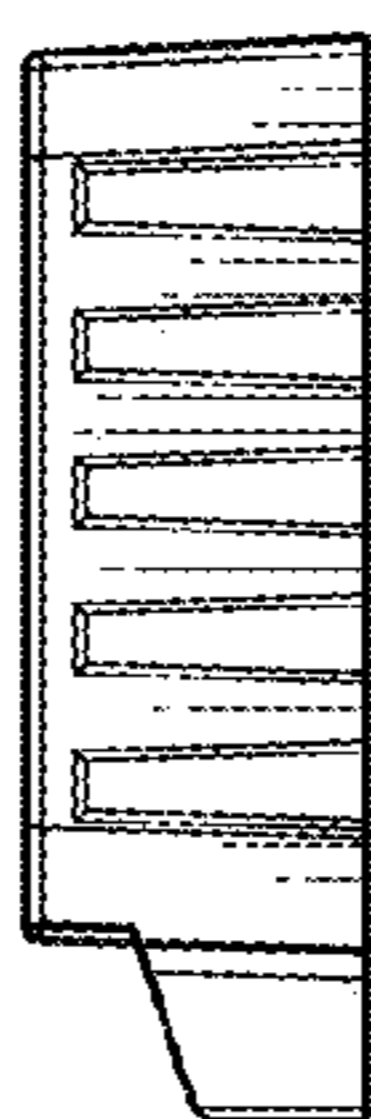


FIG. 6

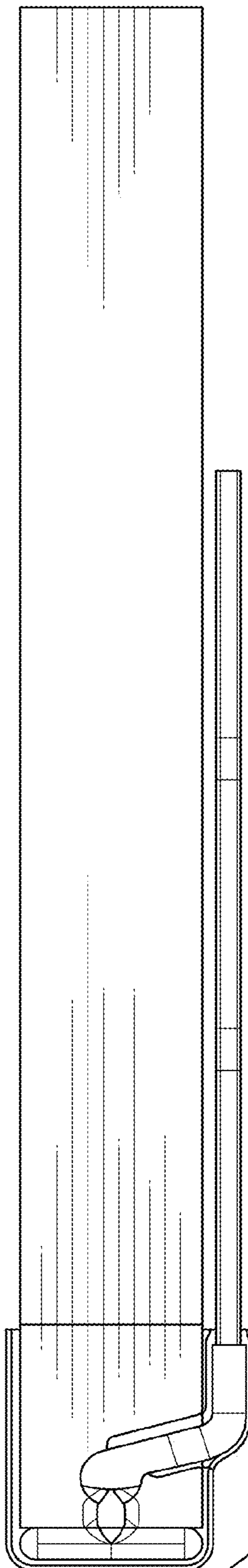


FIG. 7