

US00D760331S

(12) **United States Design Patent**  
**Gilchrist et al.**

(10) **Patent No.:** **US D760,331 S**  
(45) **Date of Patent:** **\*\* Jun. 28, 2016**

(54) **EXERCISE EQUIPMENT CONTAINER**

CPC ... A61F 5/0118; A61F 5/0111; A61F 5/0106;  
A41D 13/087; A63B 60/08; A63B 60/10;  
A63B 49/08; Y10S 128/15

(71) Applicant: **Fitness Engineers Pty Ltd**, Bondi Beach, North South Wales (AU)

See application file for complete search history.

(72) Inventors: **Adam Gilchrist**, Queenscliff (AU);  
**Robert Deutsch**, Bondi Beach (AU)

(56) **References Cited**

(73) Assignee: **FITNESS ENGINEERS PTY LTD** (AU)

U.S. PATENT DOCUMENTS

(\*\*) Term: **14 Years**

D258,483 S *	3/1981	Weinstein .....	D7/511
D485,123 S *	1/2004	Gullickson .....	D7/510
D551,985 S *	10/2007	Green .....	D9/548
D564,722 S *	3/2008	Hogarth .....	D34/5
D567,466 S *	4/2008	Lee .....	D34/7
D603,572 S *	11/2009	Morad .....	D34/1
D609,873 S *	2/2010	Rey .....	D34/7
D616,705 S *	6/2010	DuBois .....	D7/510
D632,918 S *	2/2011	Gordon .....	D7/300.1
D643,171 S *	8/2011	Morad .....	D34/1
D656,357 S *	3/2012	Enghard .....	D7/300.1
D724,287 S *	3/2015	Greene .....	D34/5

(21) Appl. No.: **29/498,981**

(22) Filed: **Aug. 11, 2014**

(30) **Foreign Application Priority Data**

Feb. 11, 2014 (AU) ..... 10678/2014

\* cited by examiner

(51) **LOC (10) Cl.** ..... **21-02**

*Primary Examiner* — Robert M Spear

(52) **U.S. Cl.**

*Assistant Examiner* — Ryan Harvey

USPC ..... **D21/662**

(74) *Attorney, Agent, or Firm* — Nexsen Pruet, PLLC; E. Eric Mills

(58) **Field of Classification Search**

USPC ..... D21/684, 685, 662, 683, 781, 694, 753,  
D21/727, 692, 729, 732; D24/190, 110.1,  
D24/180, 191, 169, 192, 189, 143, 207,  
D24/791; 482/122, 124, 125, 129, 47, 49,  
482/44, 93, 105, 139, 48, 91, 127, 45, 102;  
473/438, 422, 450, 458, 464, 526, 551;  
D9/533, 540, 680, 531, 556, 553, 548,  
D9/574; 2/21, 161.3, 161.1, 161.8, 168;  
601/23, 62, 40, 33, 152, 151, 15, 34,  
601/150; 128/879, DIG. 15, DIG. 20, 898;  
602/20, 16, 21, 62, 13, 27, 64, 26, 65,  
602/23, 10, 30, 22; D34/1, 7, 5, 9;  
D7/300.1, 510, 511, 556, 523, 531;  
D3/254, 229, 221

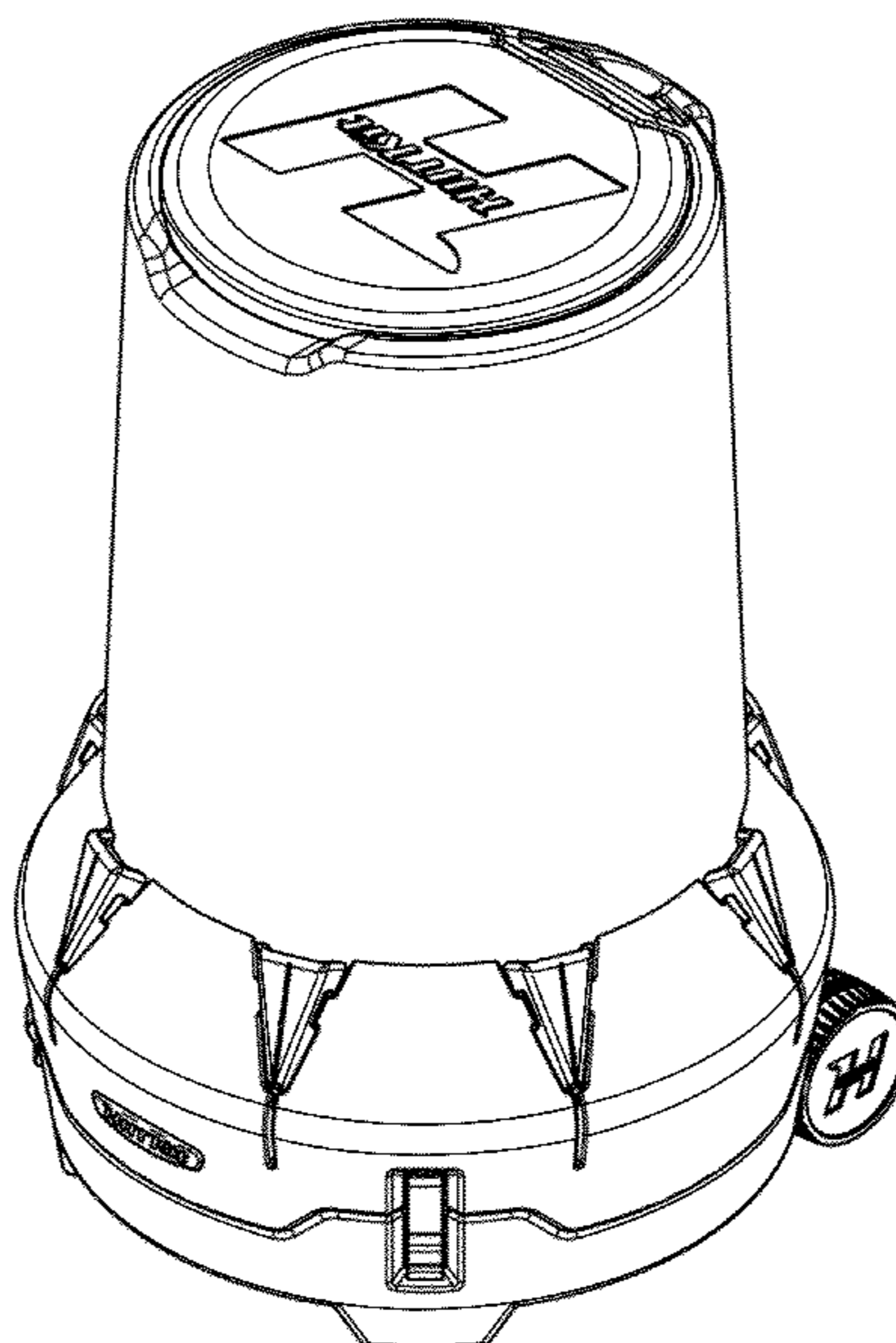
(57) **CLAIM**

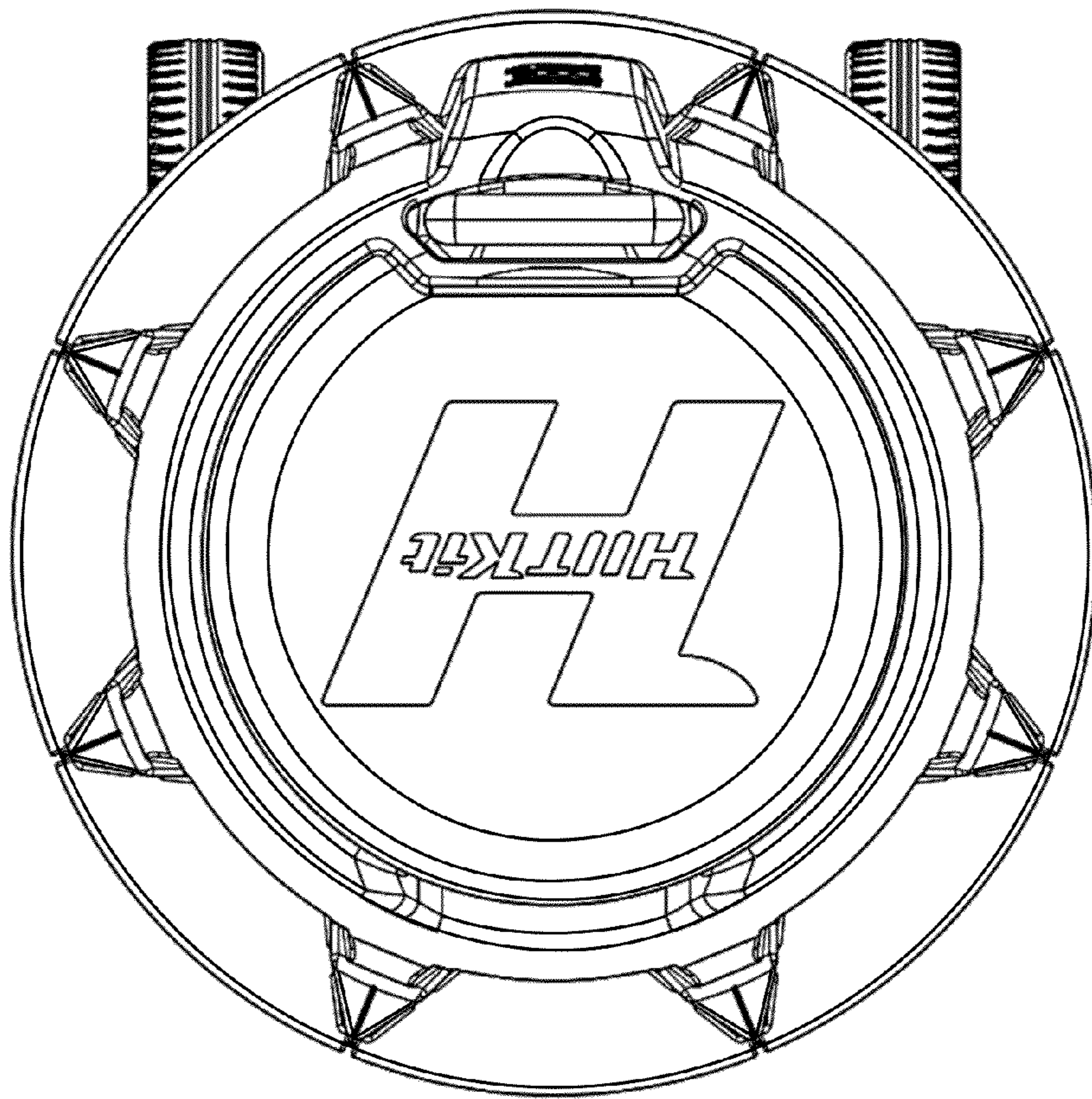
The ornamental design for an exercise equipment container, as shown and described.

**DESCRIPTION**

FIG. 1 is a top view of an exercise equipment container showing a new design;  
FIG. 2 is an isometric view thereof;  
FIG. 3 is a front view thereof;  
FIG. 4 is a right view thereof; and,  
FIG. 5 is a rear view thereof.

**1 Claim, 5 Drawing Sheets**





*FIG. 1*

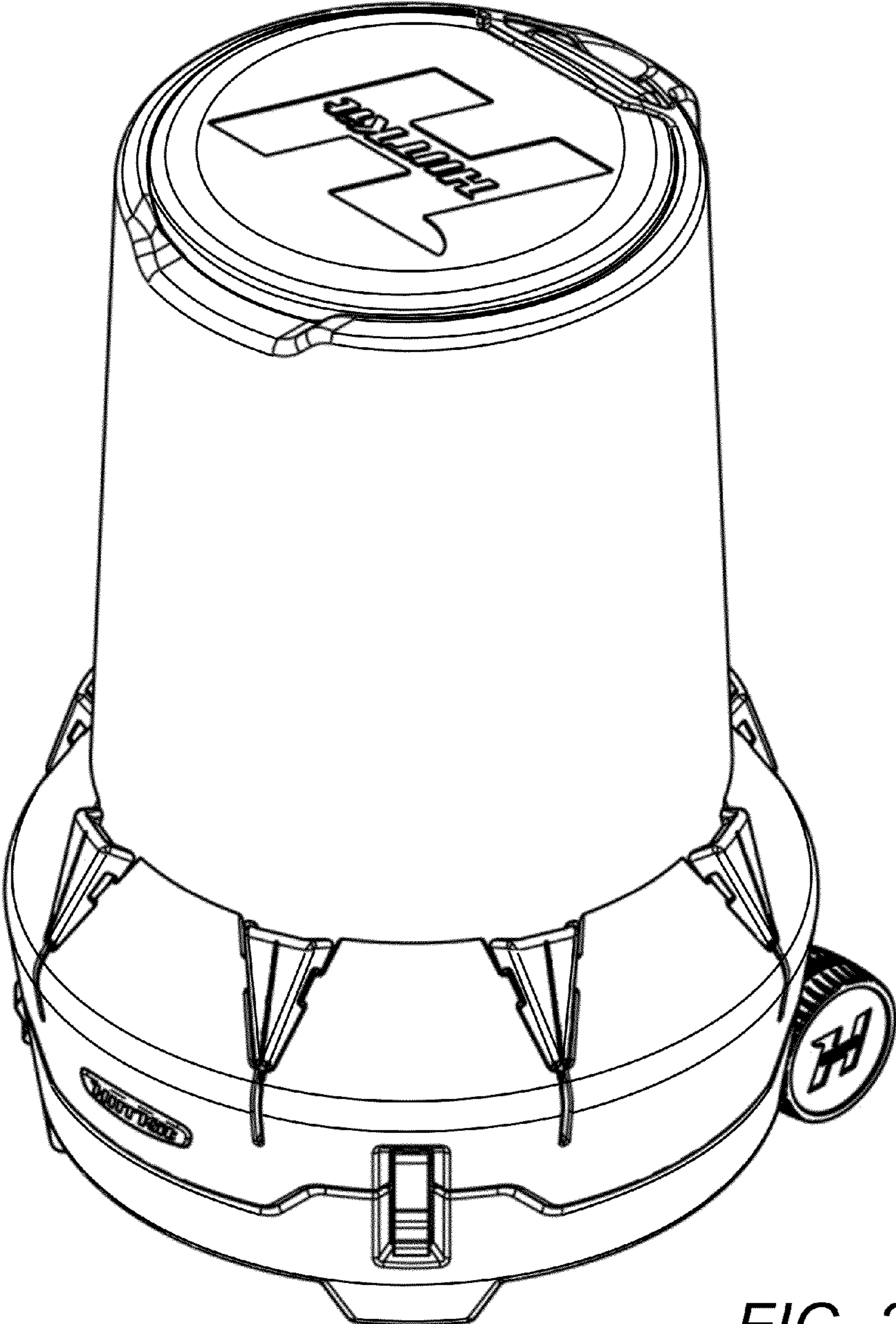


FIG. 2

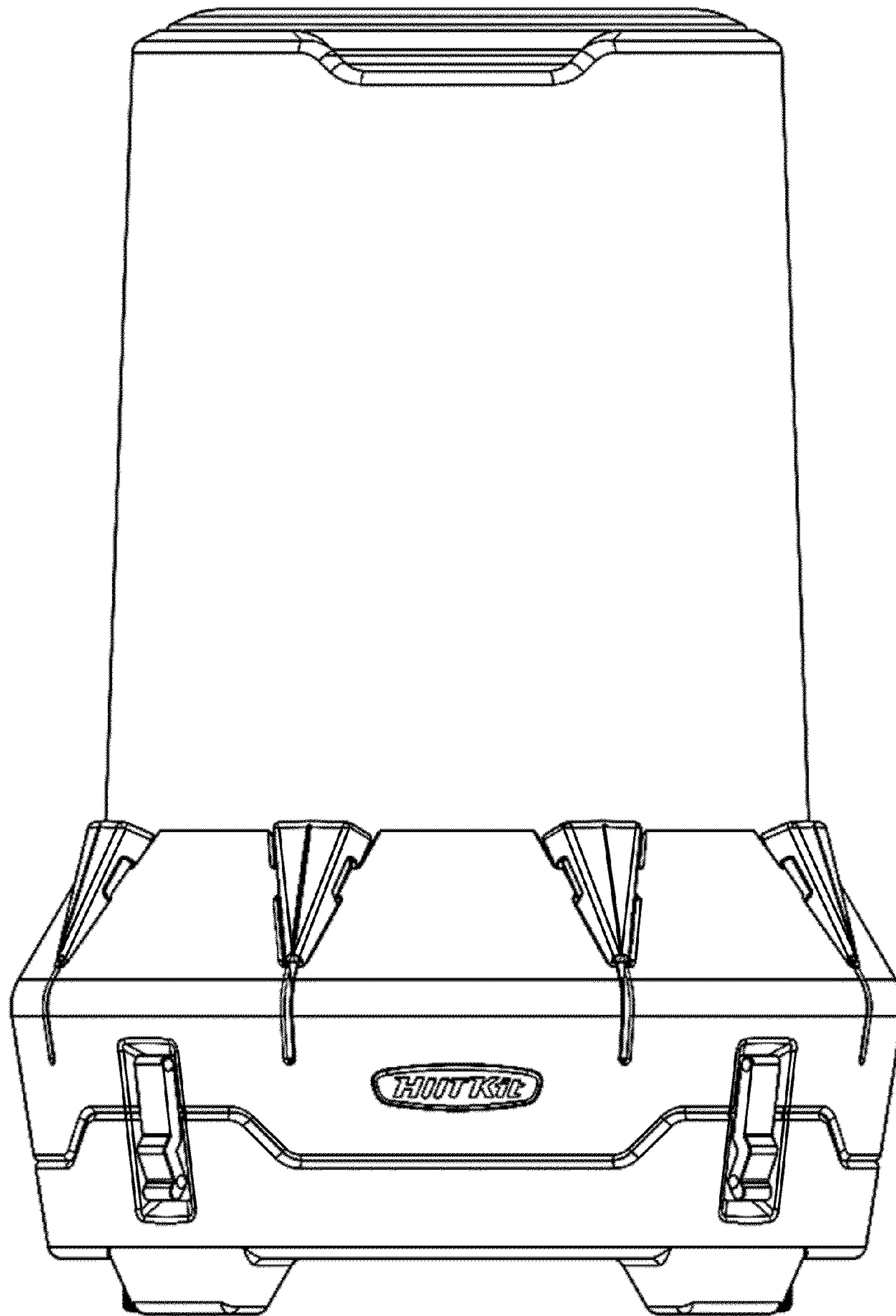


FIG. 3

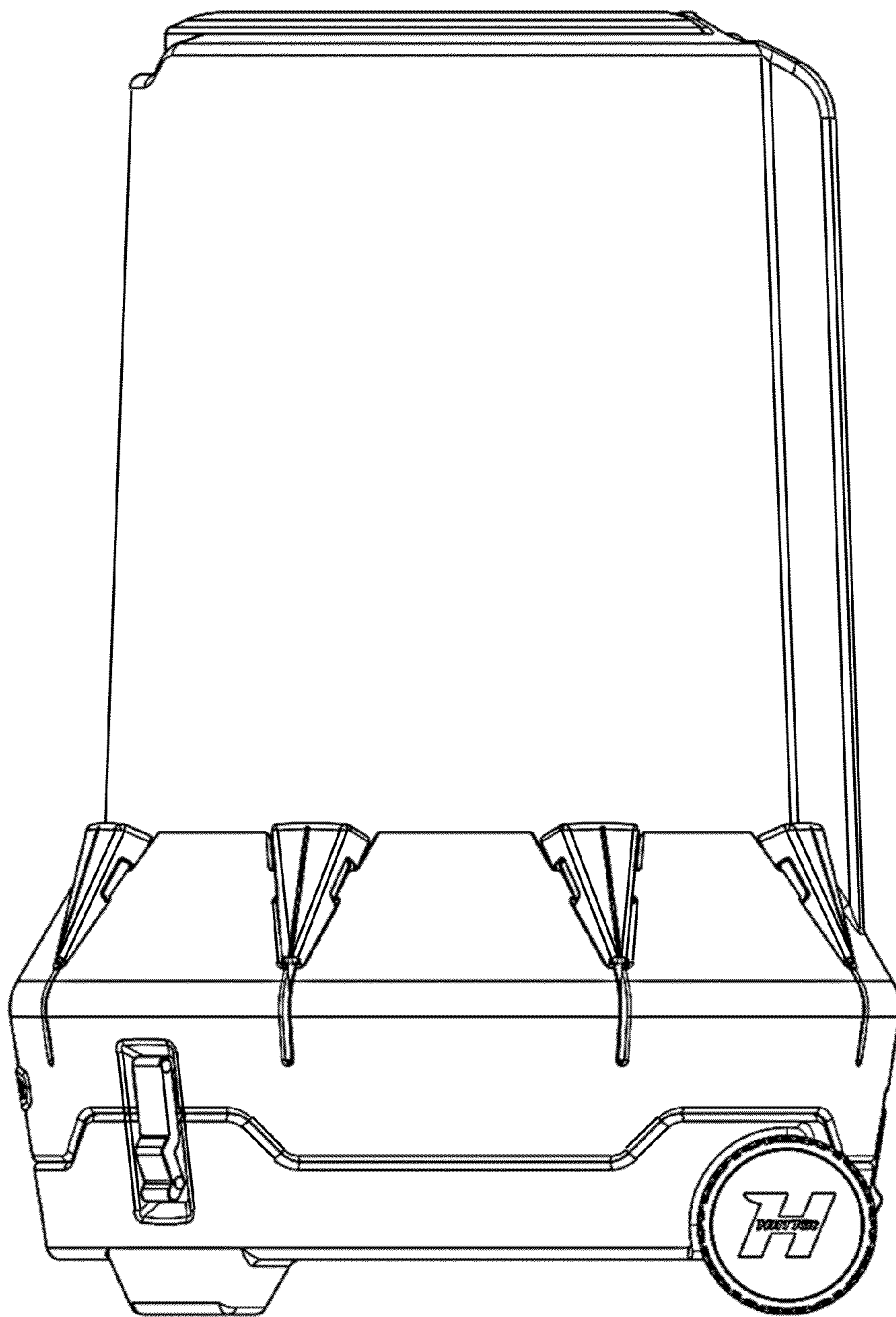


FIG. 4

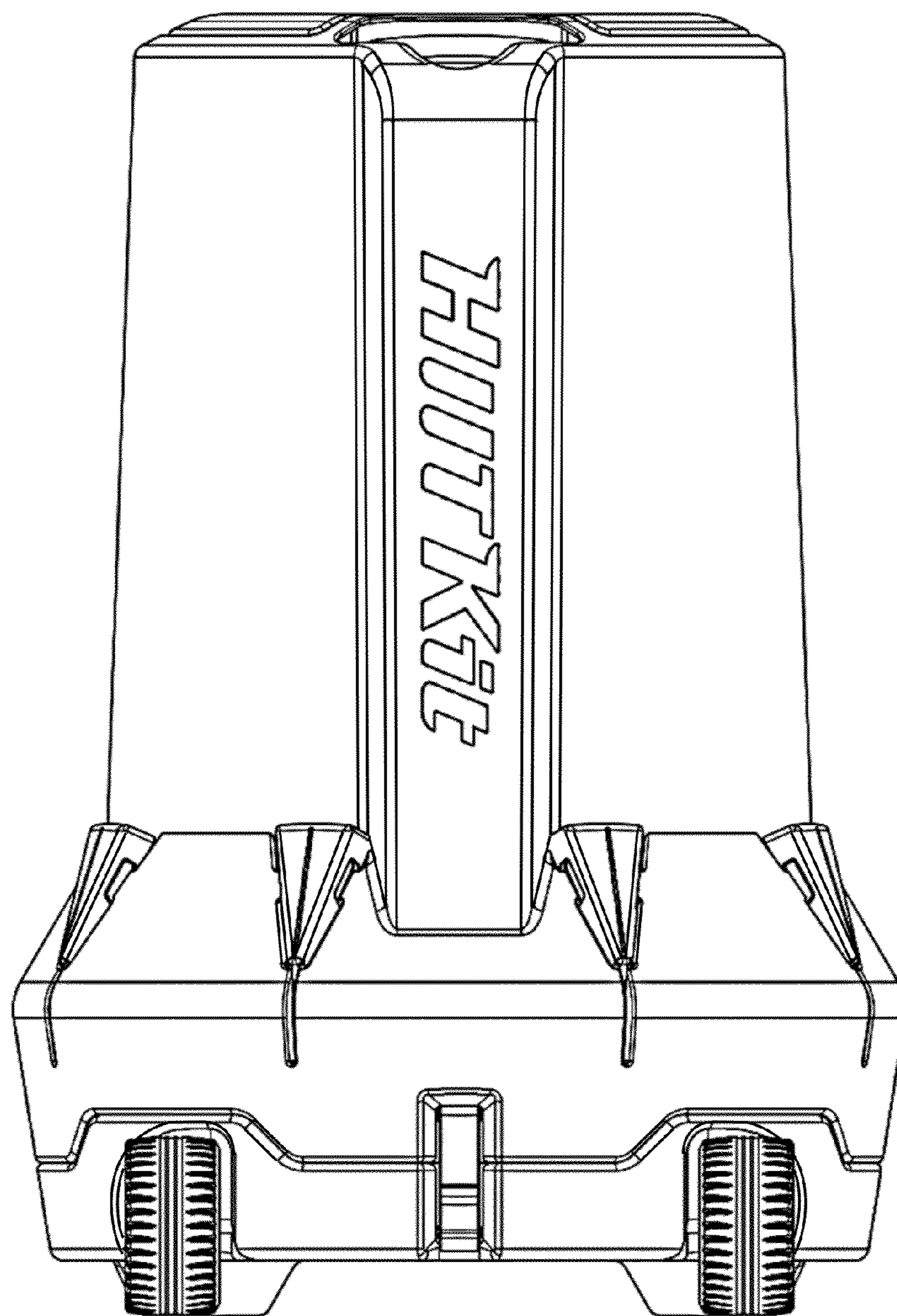


FIG. 5