

US00D760330S

(12) **United States Design Patent**
Croston et al.

(10) **Patent No.:** **US D760,330 S**
(45) **Date of Patent:** **** Jun. 28, 2016**

- (54) **LOWER BODY OF ACTION FIGURE WITH SKIRT**
- (71) Applicants: **Heather Croston**, Ambler, PA (US);
Cory Mindler, Hellertown, PA (US)
- (72) Inventors: **Heather Croston**, Ambler, PA (US);
Cory Mindler, Hellertown, PA (US)
- (73) Assignee: **K’NEX Limited Partnership Group**,
Hatfield, PA (US)
- (**) Term: **14 Years**
- (21) Appl. No.: **29/517,299**
- (22) Filed: **Feb. 11, 2015**
- (51) **LOC (10) Cl.** **21-01**
- (52) **U.S. Cl.**
USPC **D21/659; D21/621**
- (58) **Field of Classification Search**
USPC D21/621, 623, 624, 625, 628, 630, 631,
D21/633, 640, 643–649, 659; 446/268, 360,
446/361, 376, 379, 382–384; D19/62;
D20/29–32
CPC A63H 3/00
See application file for complete search history.

(56) **References Cited**

U.S. PATENT DOCUMENTS

- D539,364 S * 3/2007 Sofussen D21/621
- D672,410 S 12/2012 Dubreuil et al.

- D672,411 S 12/2012 Dubreuil et al.
- D672,412 S 12/2012 Dubreuil et al.
- D672,413 S 12/2012 Dubreuil et al.
- D678,432 S 3/2013 Dubreuil et al.
- D680,598 S * 4/2013 Geller D21/621
- D688,330 S 8/2013 Provencher et al.
- D688,333 S * 8/2013 Stosiak D21/621
- D688,336 S 8/2013 Provencher et al.
- D738,966 S * 9/2015 Chen D21/621

* cited by examiner

Primary Examiner — Zenia Bennett

(74) *Attorney, Agent, or Firm* — St. Onge Steward Johnston & Reens LLC

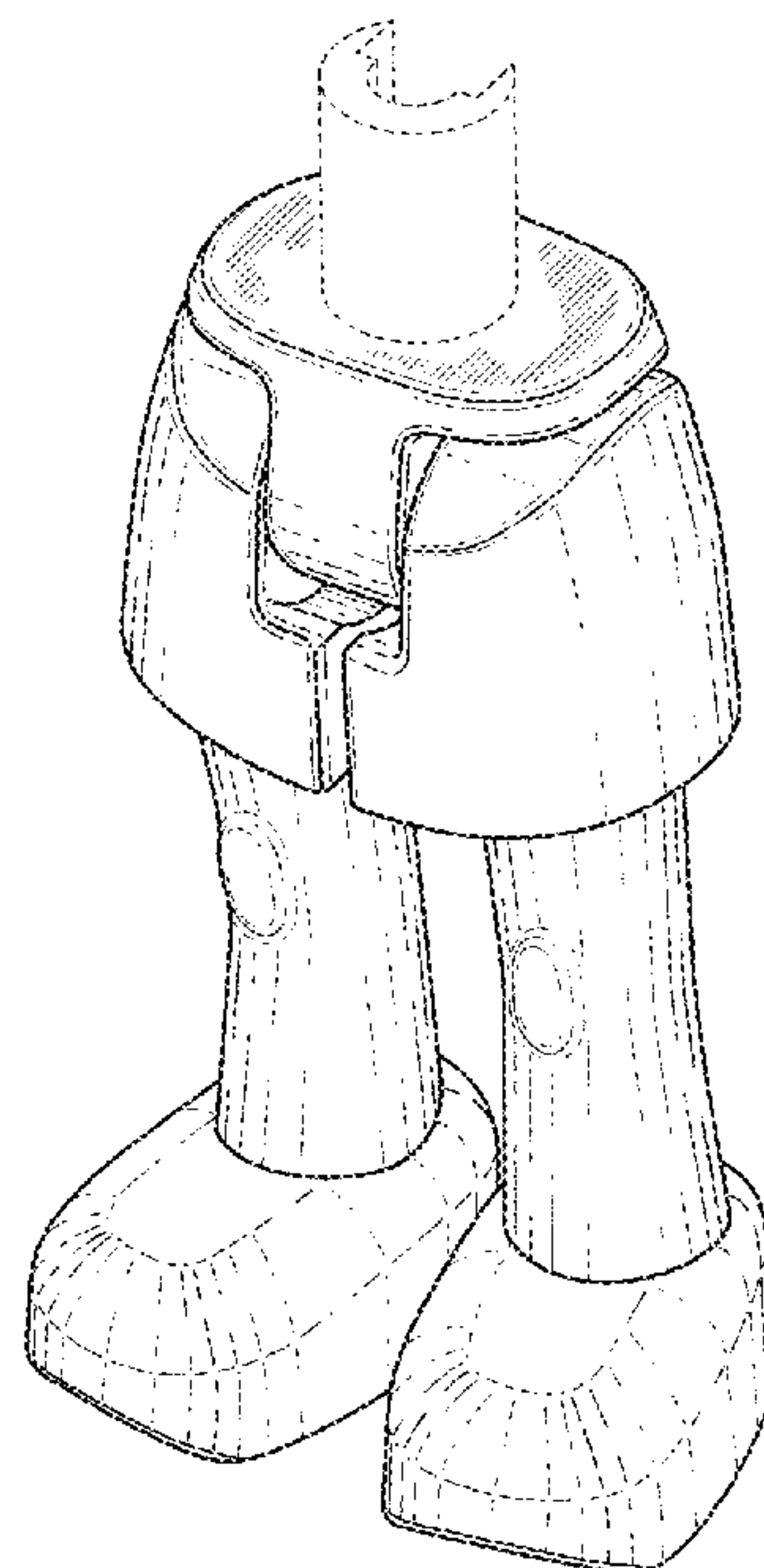
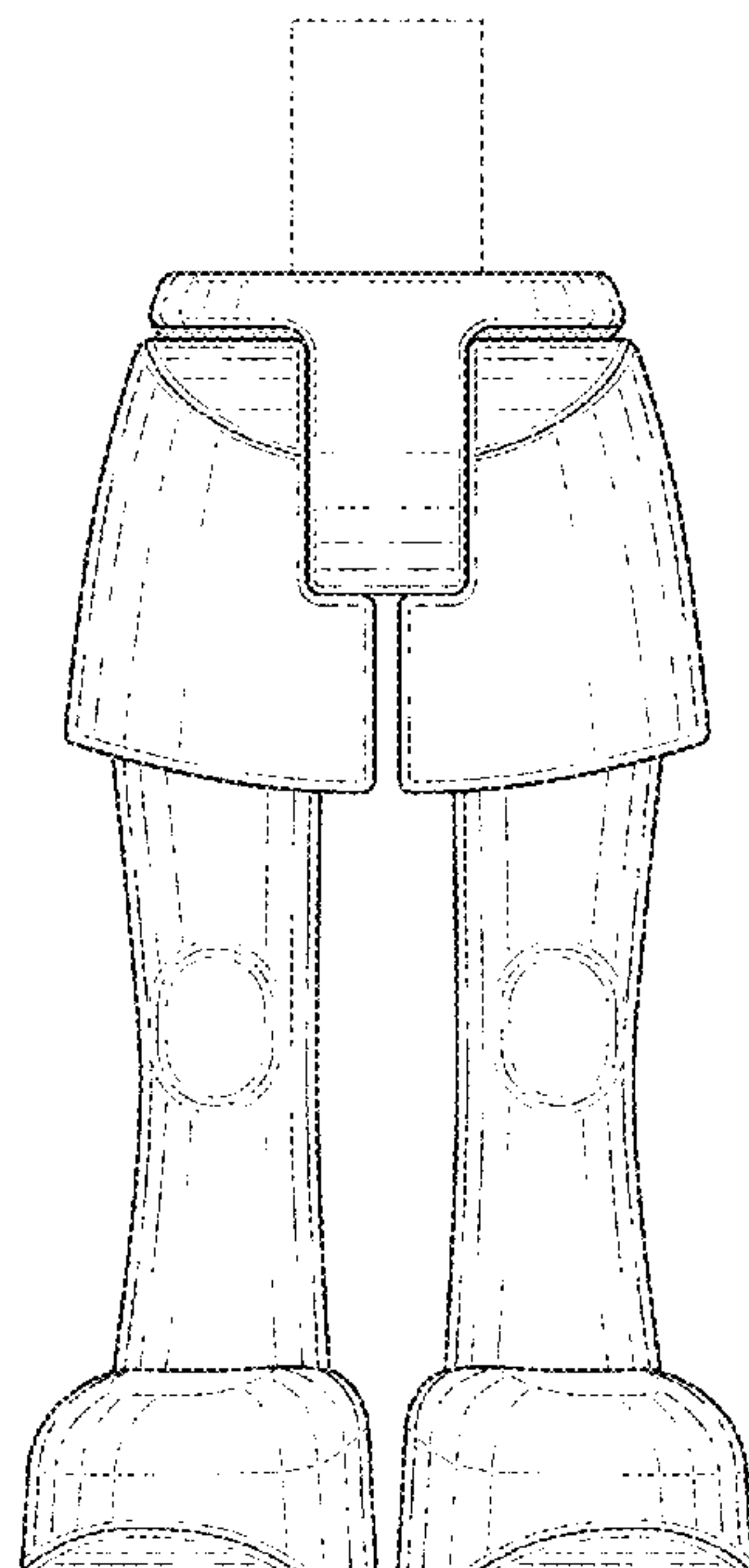
(57) **CLAIM**

The ornamental design for a lower body of action figure with skirt, as shown and described.

DESCRIPTION

FIG. 1 is a front elevational view of a lower body of action figure with skirt in accordance with the new design;
 FIG. 2 is a back elevational view thereof;
 FIG. 3 is a front isometric view thereof;
 FIG. 4 is a left side elevational view thereof;
 FIG. 5 is a right side elevational view thereof;
 FIG. 6 is a top plan view thereof; and,
 FIG. 7 is a bottom plan view thereof.
 The broken lines shown in FIGS. 1-6 are for the purpose of illustrating portions of the lower body of action figure with skirt that form no part of the claimed design.

1 Claim, 4 Drawing Sheets



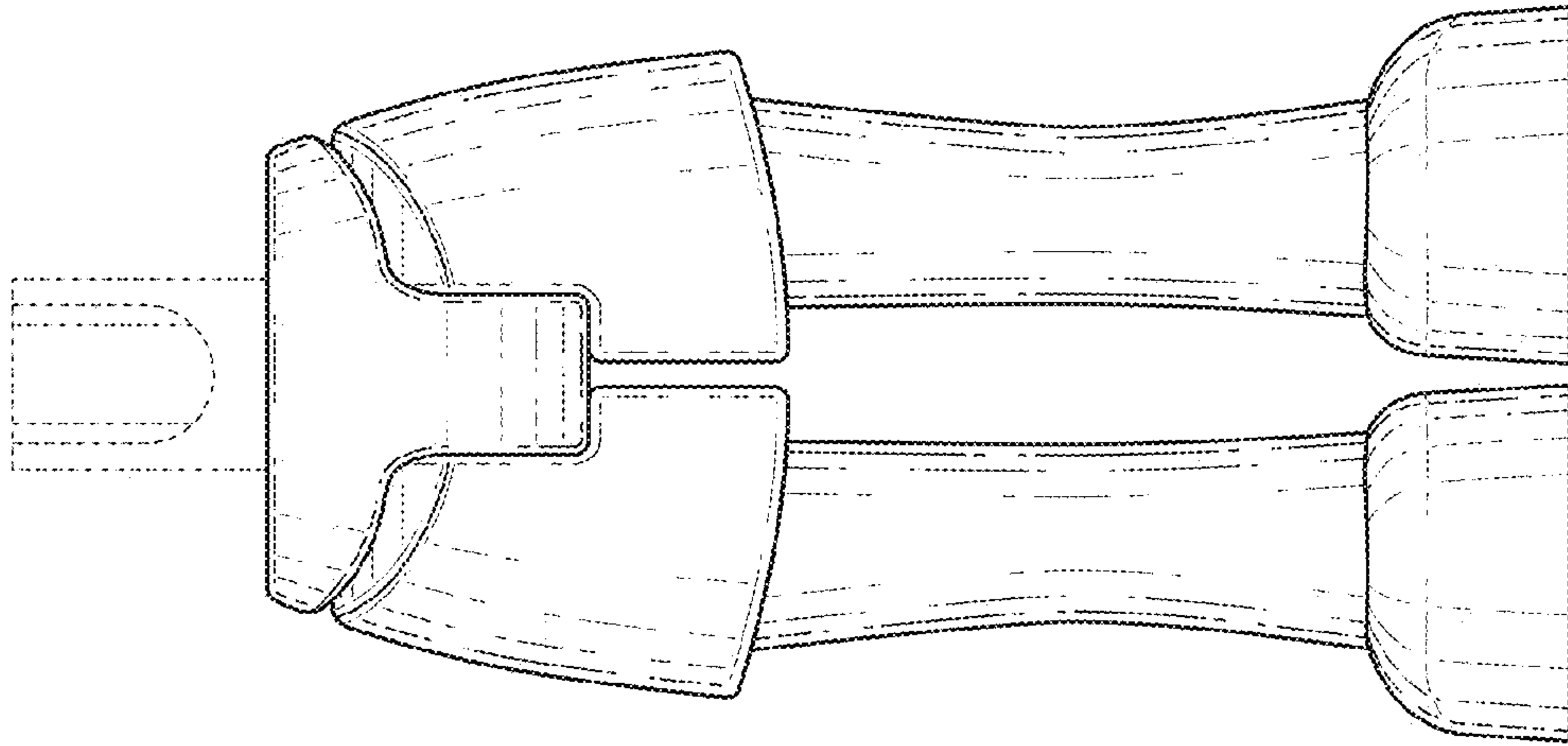


FIG. 2

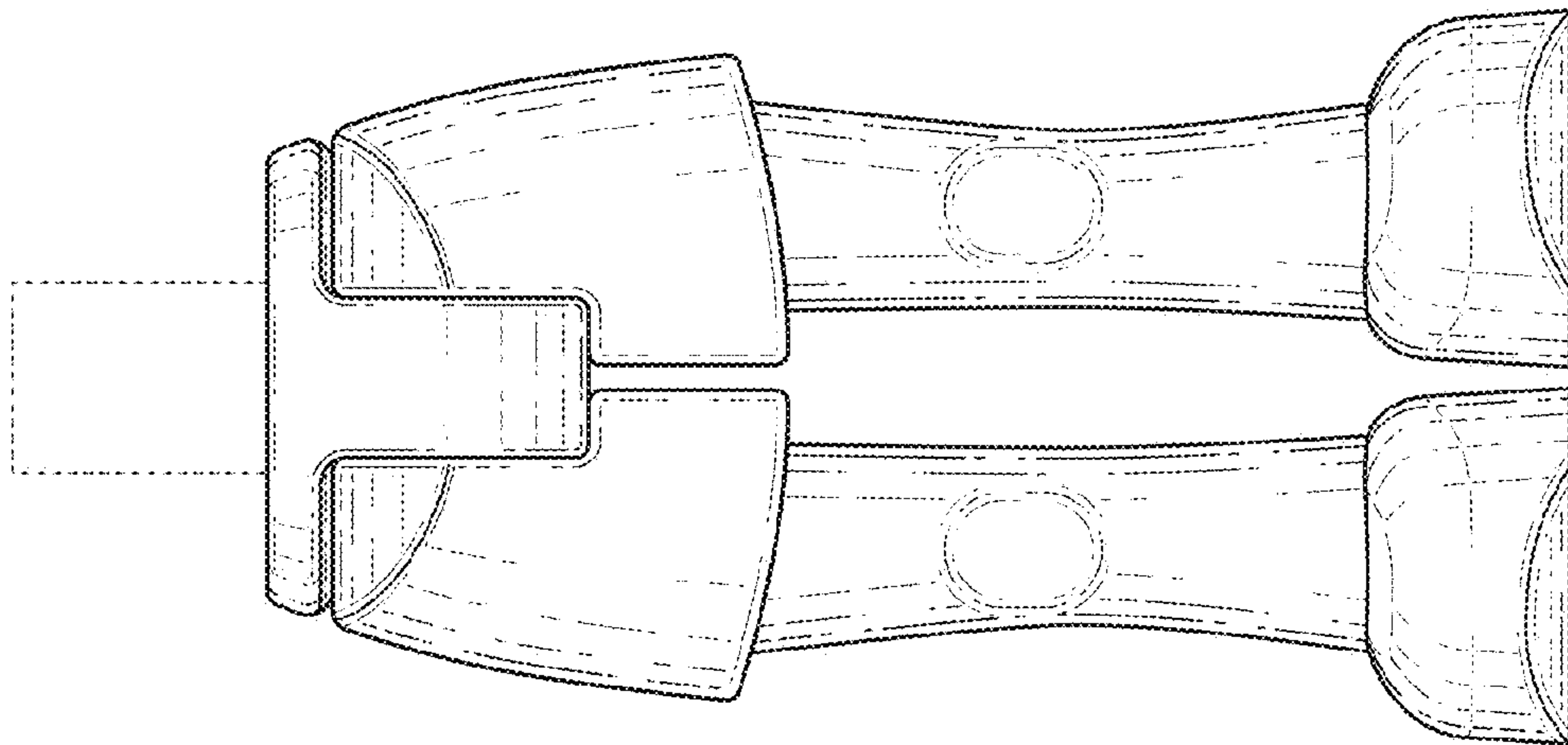


FIG. 1

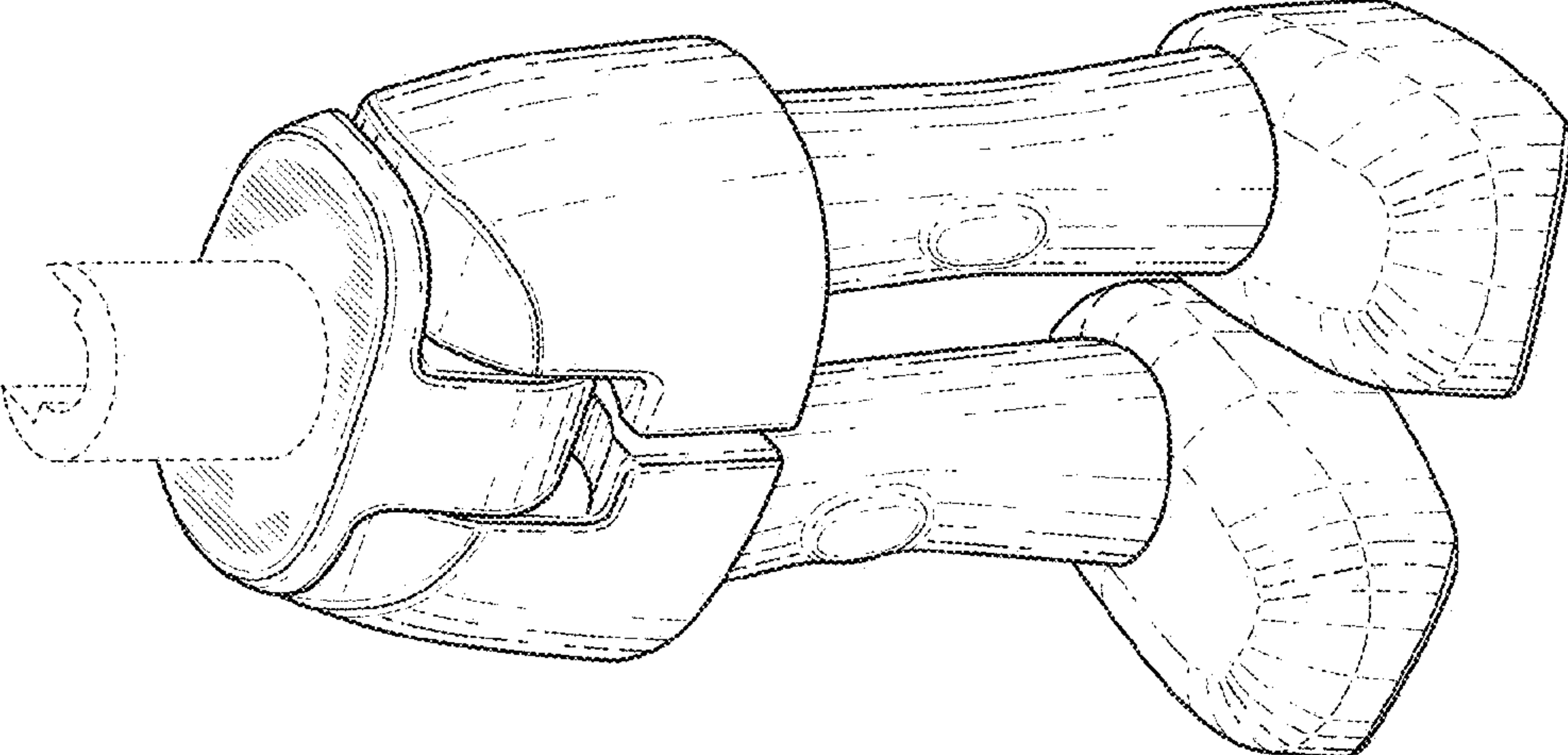


FIG. 3

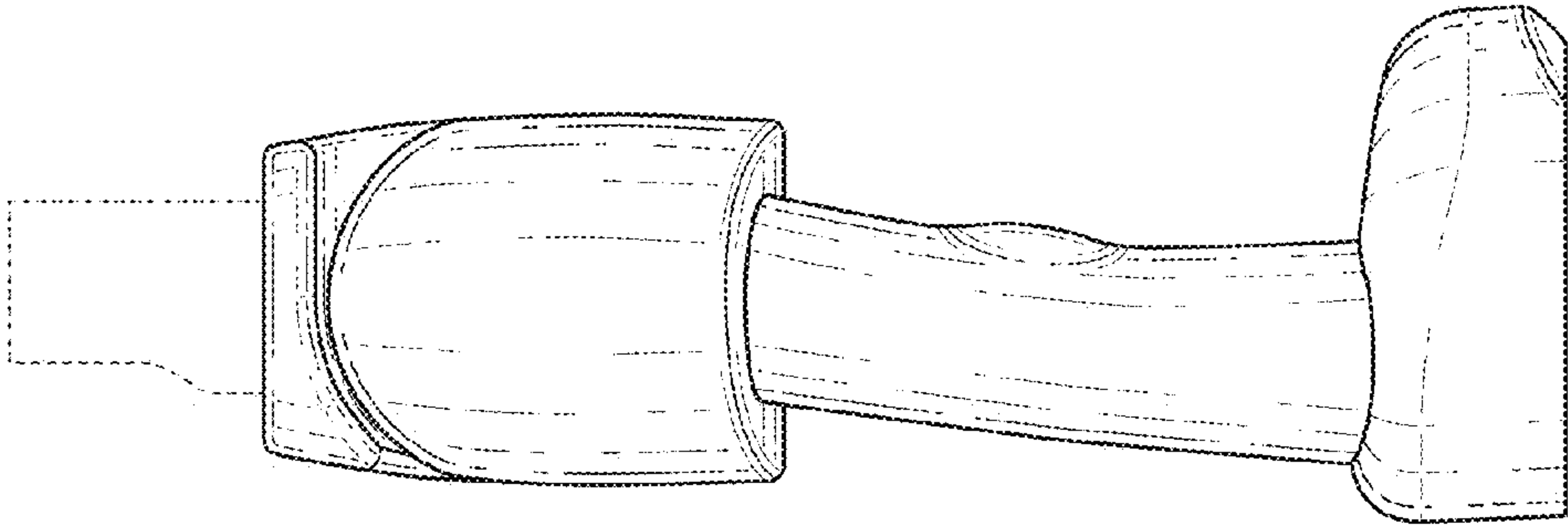


FIG. 5

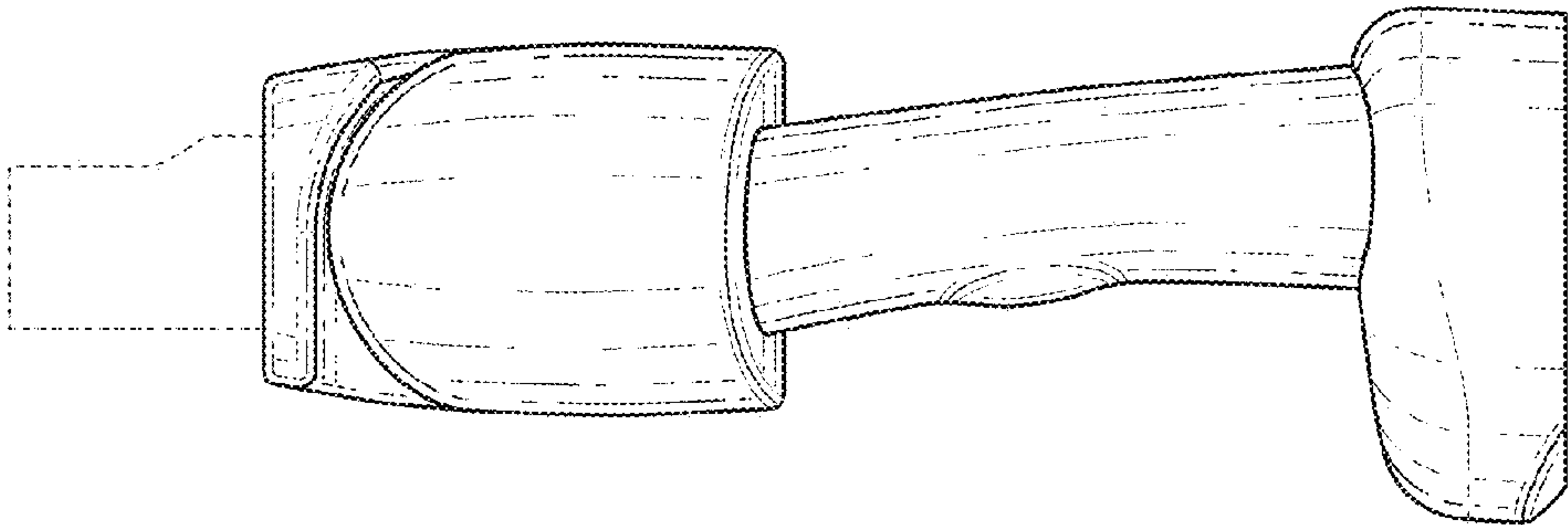


FIG. 4

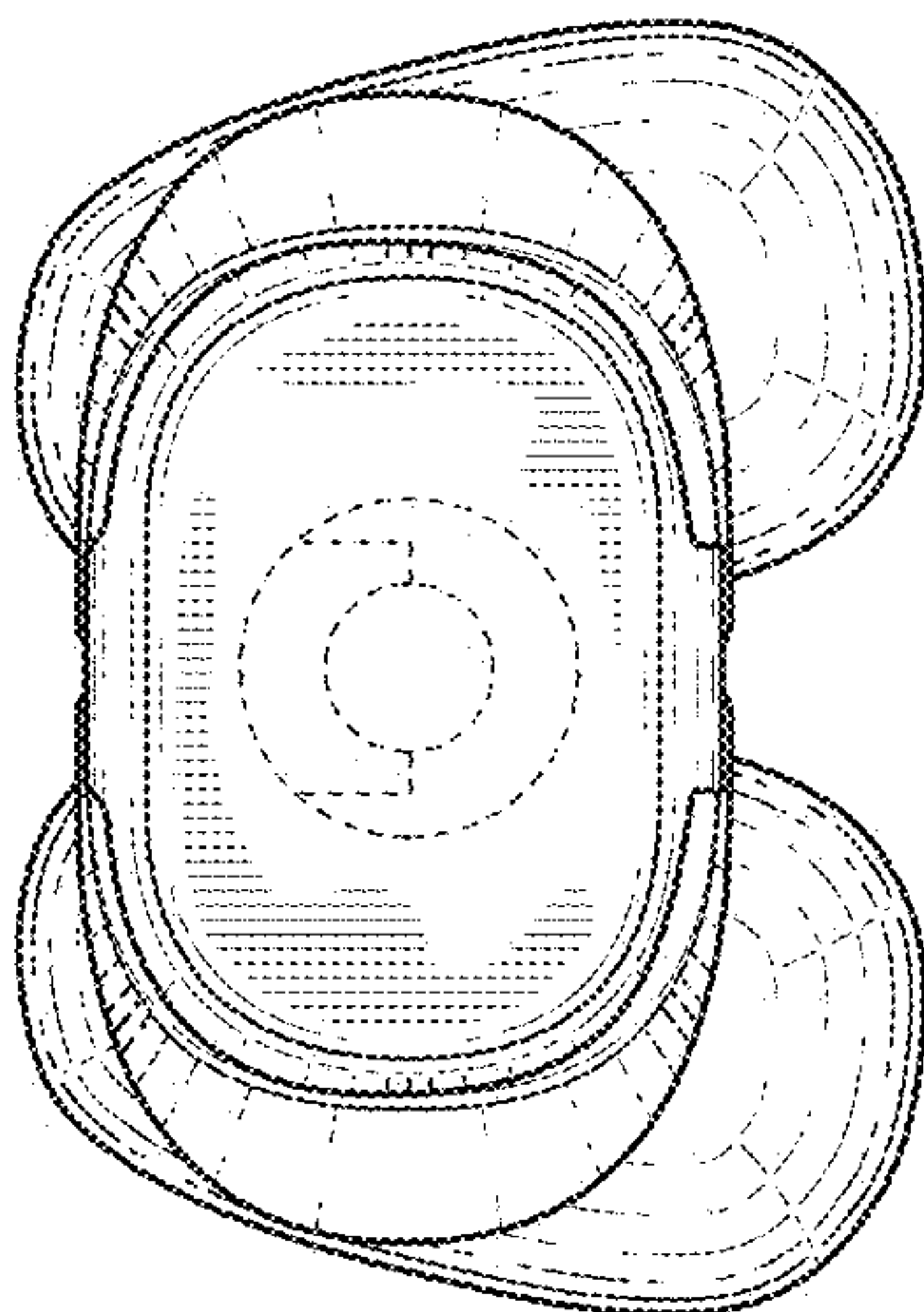


FIG. 6

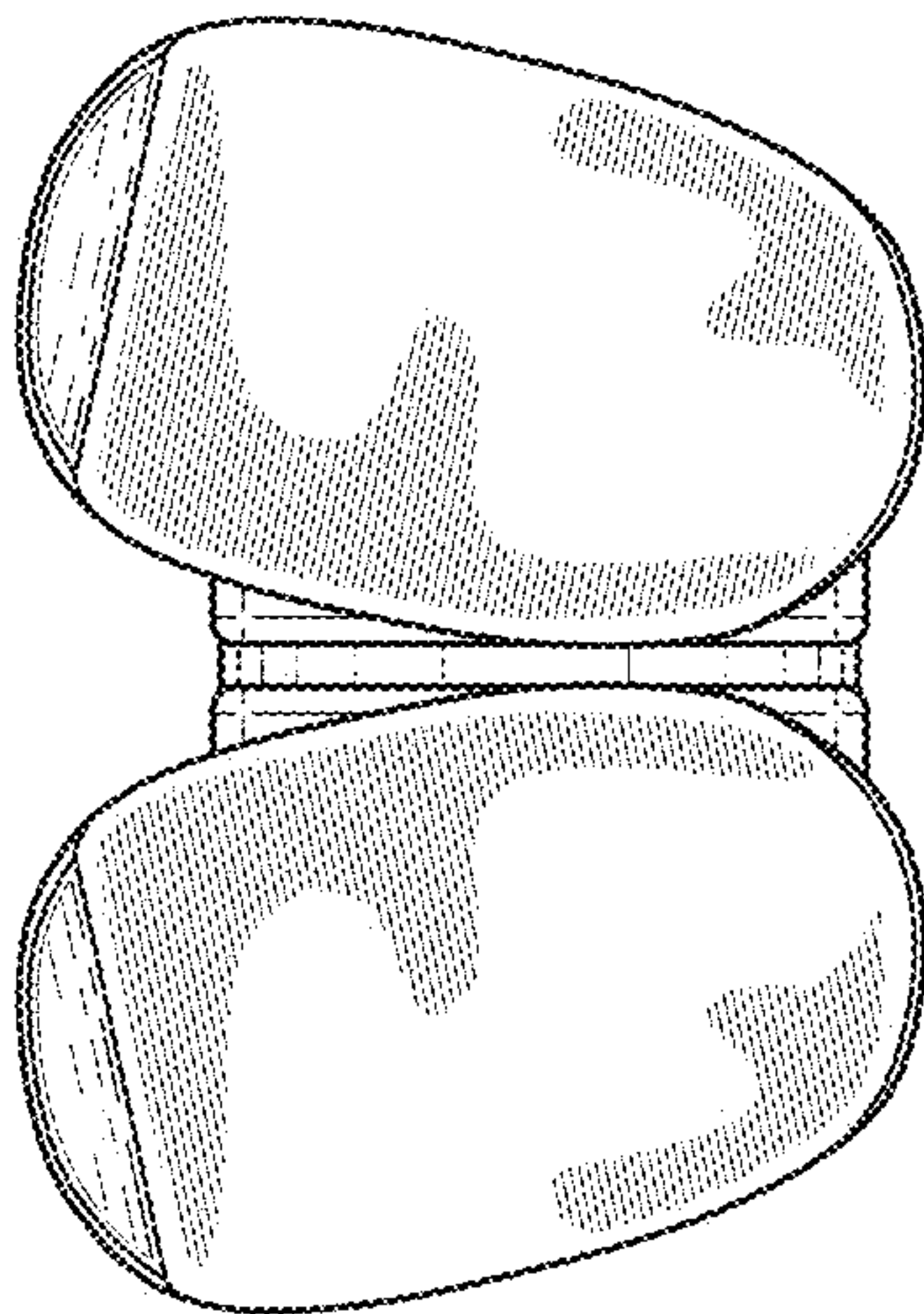


FIG. 7