



US00D760326S

(12) **United States Design Patent**
Chu

(10) **Patent No.:** **US D760,326 S**
(45) **Date of Patent:** **** Jun. 28, 2016**

(54) **TOY GUN STOCK**

(71) Applicant: **I CHIH SHIVAN ENTERPRISE CO., LTD.**, Taichung (TW)

(72) Inventor: **Chen Tang Chu**, Taichung (TW)

(73) Assignee: **I CHIH SHIVAN ENTERPRISE CO., LTD.**, Taichung (TW)

(**) Term: **14 Years**

(21) Appl. No.: **29/524,468**

(22) Filed: **Apr. 21, 2015**

(51) **LOC (10) Cl.** **21-01**

(52) **U.S. Cl.**
USPC **D21/573; D22/108**

(58) **Field of Classification Search**
USPC D21/333, 401, 461, 567, 568, 570-575;
D14/418; D22/100, 101, 103, 104,
D22/105, 108-110; 124/16, 26, 27, 28, 29,
124/54, 73-77; 222/78, 79; 42/54, 57, 58,
42/71.01, 72, 73, 74, 75.03, 90; 446/23,
446/182, 192, 401, 403, 405-407, 473, 475
CPC F41C 23/00; F41C 23/02; F41C 23/04;
F41C 23/06; F41C 23/08; F41C 23/10;
F41C 23/12; F41C 23/14; F41C 23/16;
F41C 23/18; F41C 23/20; F41C 23/22;
F41C 7/02; F41C 7/04; F41C 7/06; F41C
7/11; F41C 7/12

See application file for complete search history.

(56) **References Cited**

U.S. PATENT DOCUMENTS

D515,637 S *	2/2006	Hatcher	D21/573
7,762,018 B1 *	7/2010	Fitzpatrick	F41A 11/02 42/73
D636,833 S *	4/2011	Mayberry	D22/108
D640,342 S *	6/2011	Fitzpatrick	D22/108
D697,162 S *	1/2014	Faifer	D22/108
D706,879 S *	6/2014	Chu	D21/573
D736,336 S *	8/2015	Mayberry	D22/108
D738,981 S *	9/2015	Zusman	D22/108
D744,048 S *	11/2015	Chu	D21/573
2013/0180148 A1 *	7/2013	Rogers	F41C 23/04 42/73

* cited by examiner

Primary Examiner — Cynthia M Chin

(74) *Attorney, Agent, or Firm* — Leong C. Lei

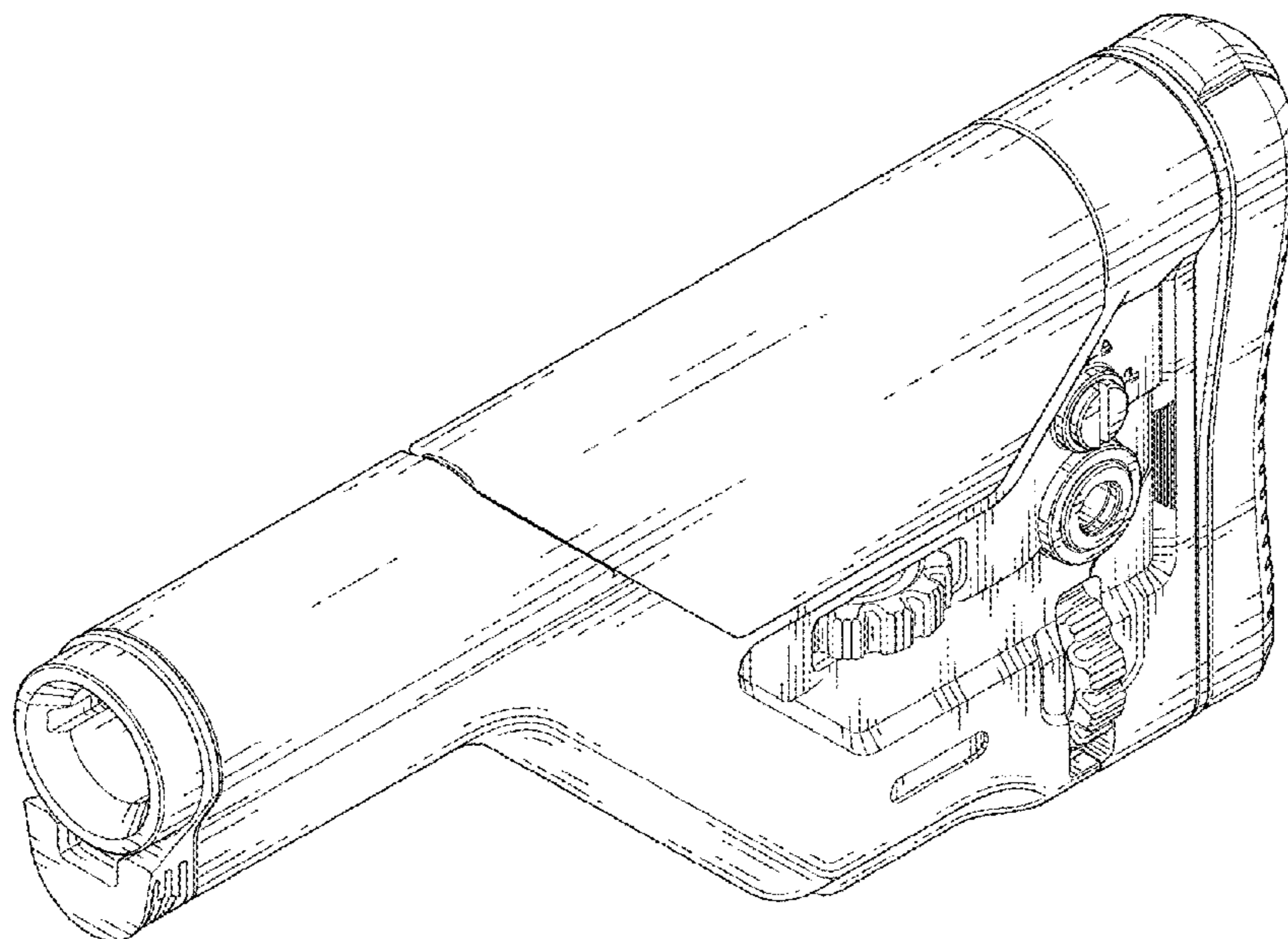
(57) **CLAIM**

The ornamental design for a toy gun stock, as shown and described.

DESCRIPTION

FIG. 1 is a front perspective view of a toy gun stock showing my new design;
FIG. 2 is a rear perspective view thereof;
FIG. 3 is a bottom perspective view thereof;
FIG. 4 is a front elevational view thereof;
FIG. 5 is a rear elevational view thereof;
FIG. 6 is a left elevational view thereof;
FIG. 7 is a right elevational view thereof;
FIG. 8 is a top plan view thereof; and,
FIG. 9 is a bottom plan view thereof.
The broken lines represent portions of the article that form no part of the claim.

1 Claim, 8 Drawing Sheets



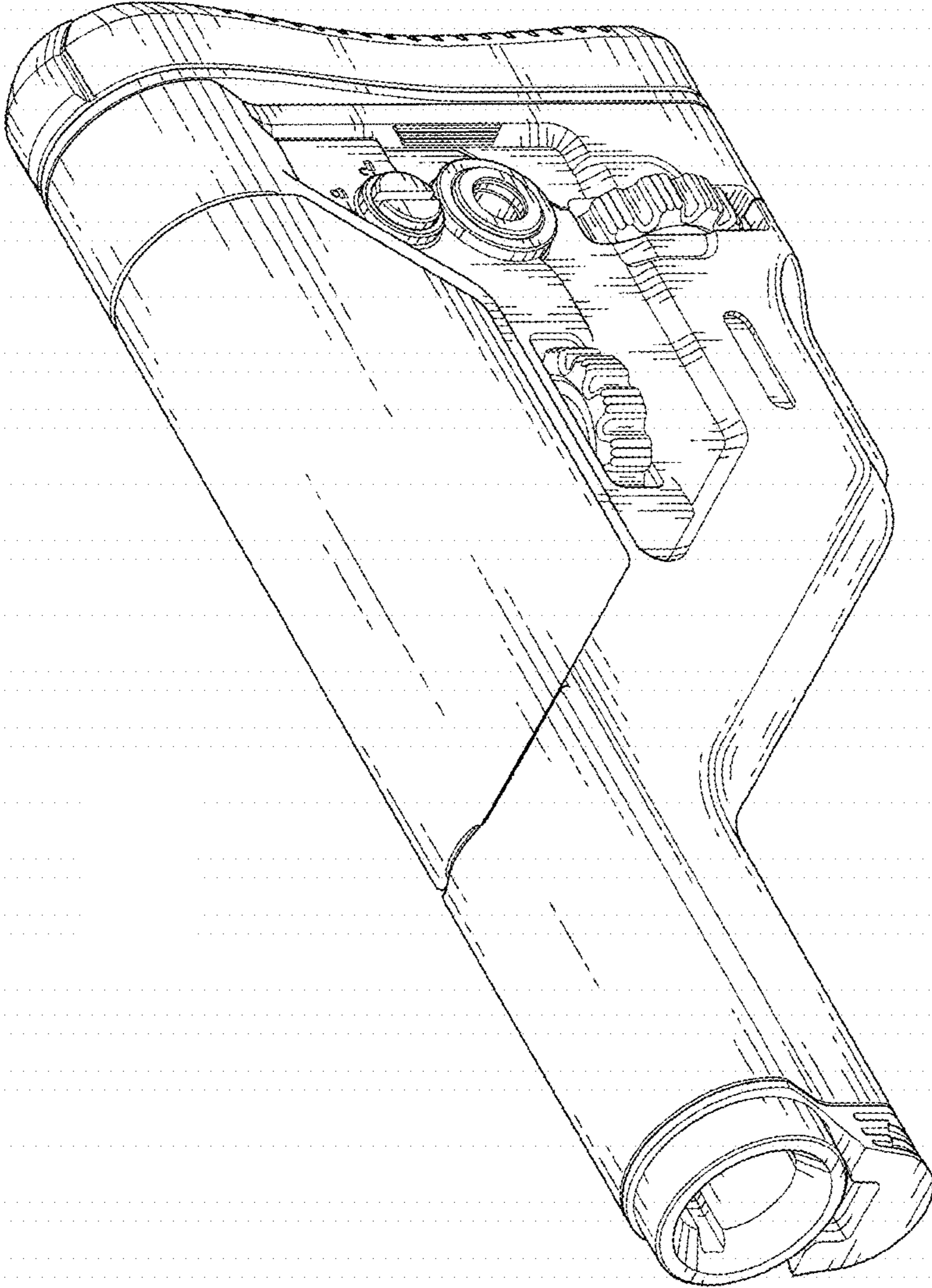


FIG. 1

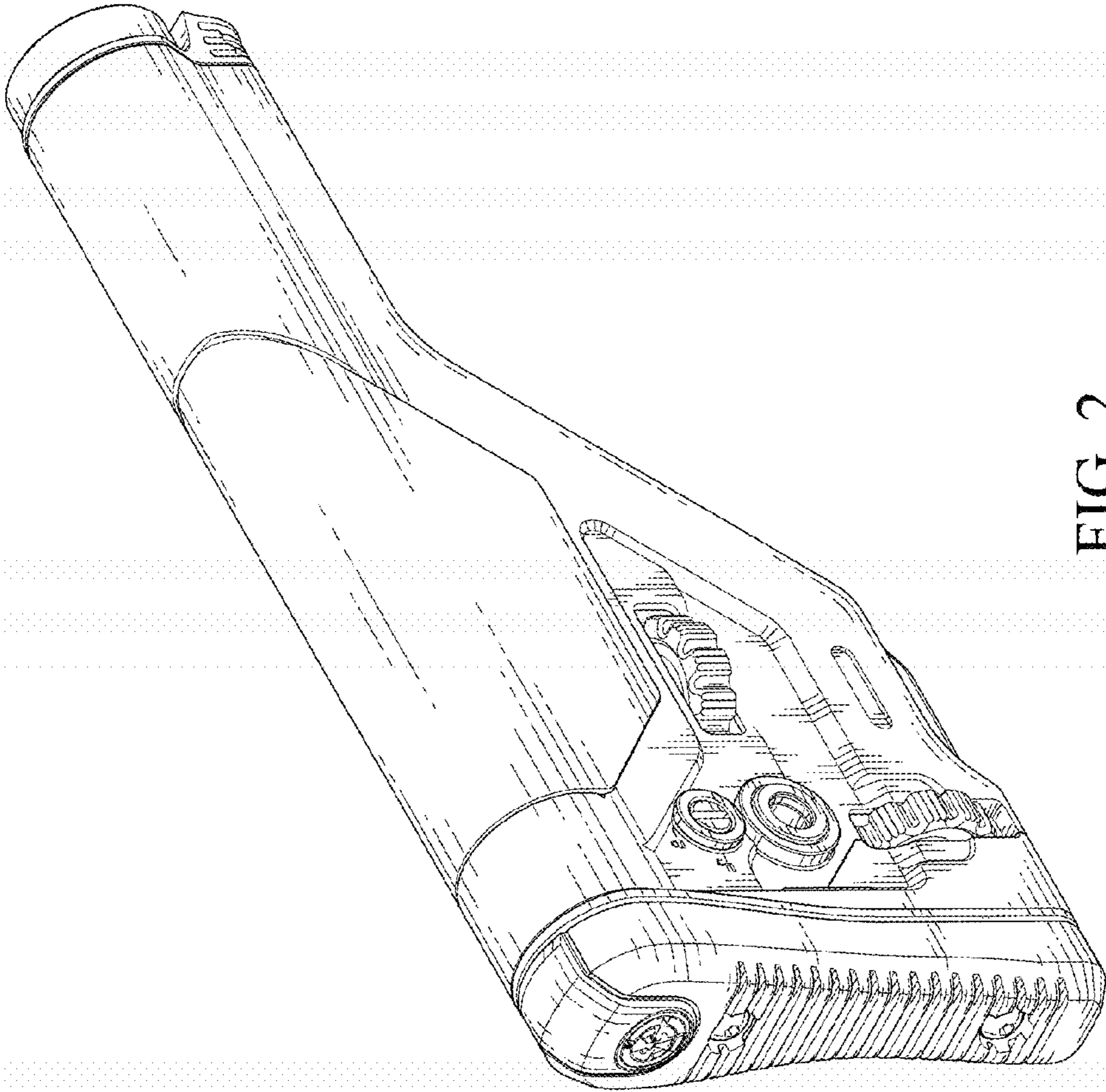


FIG. 2

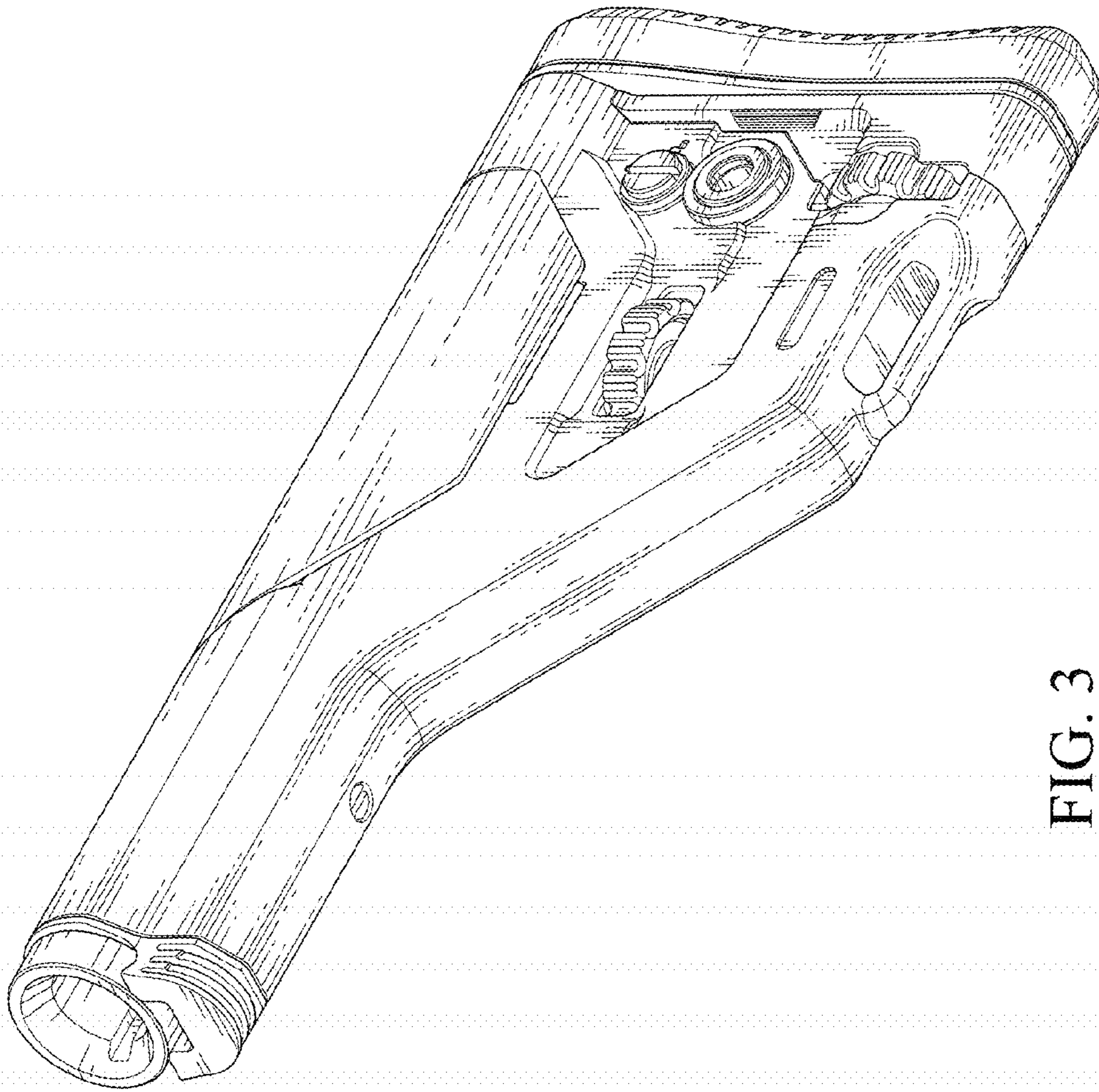


FIG. 3

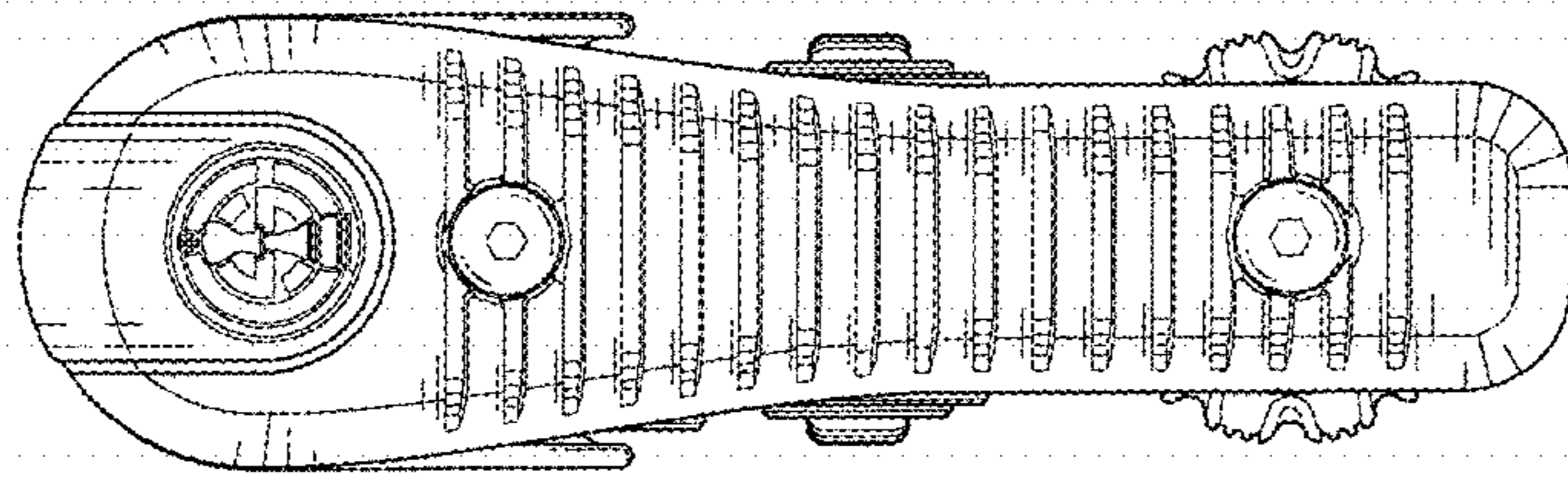


FIG. 5

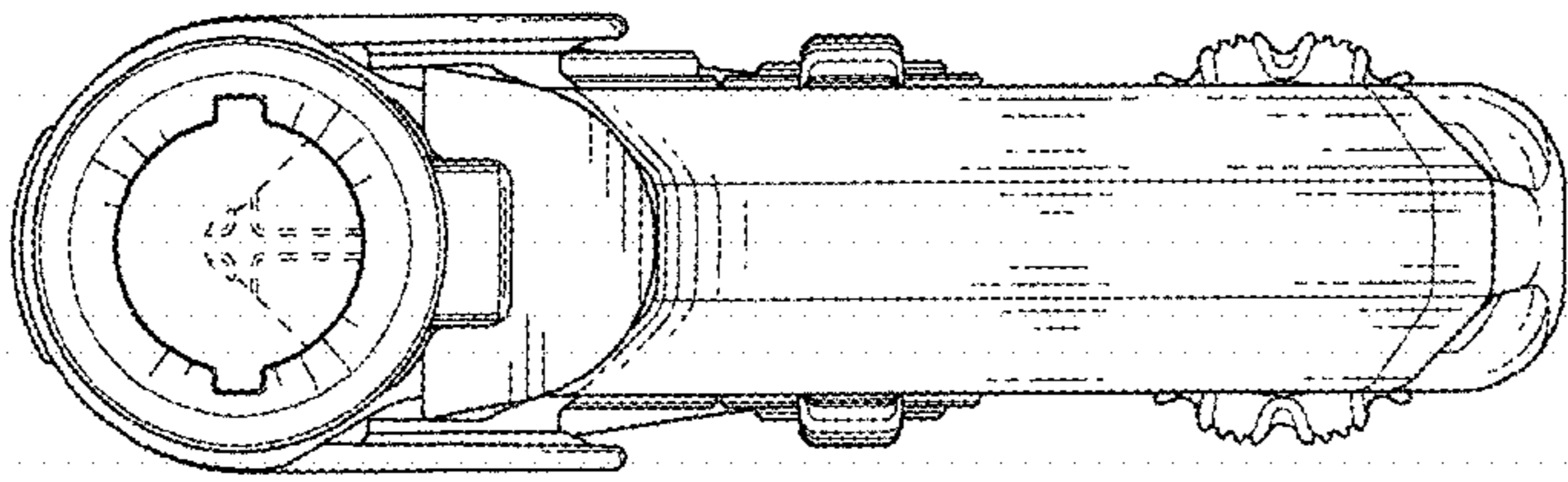


FIG. 4

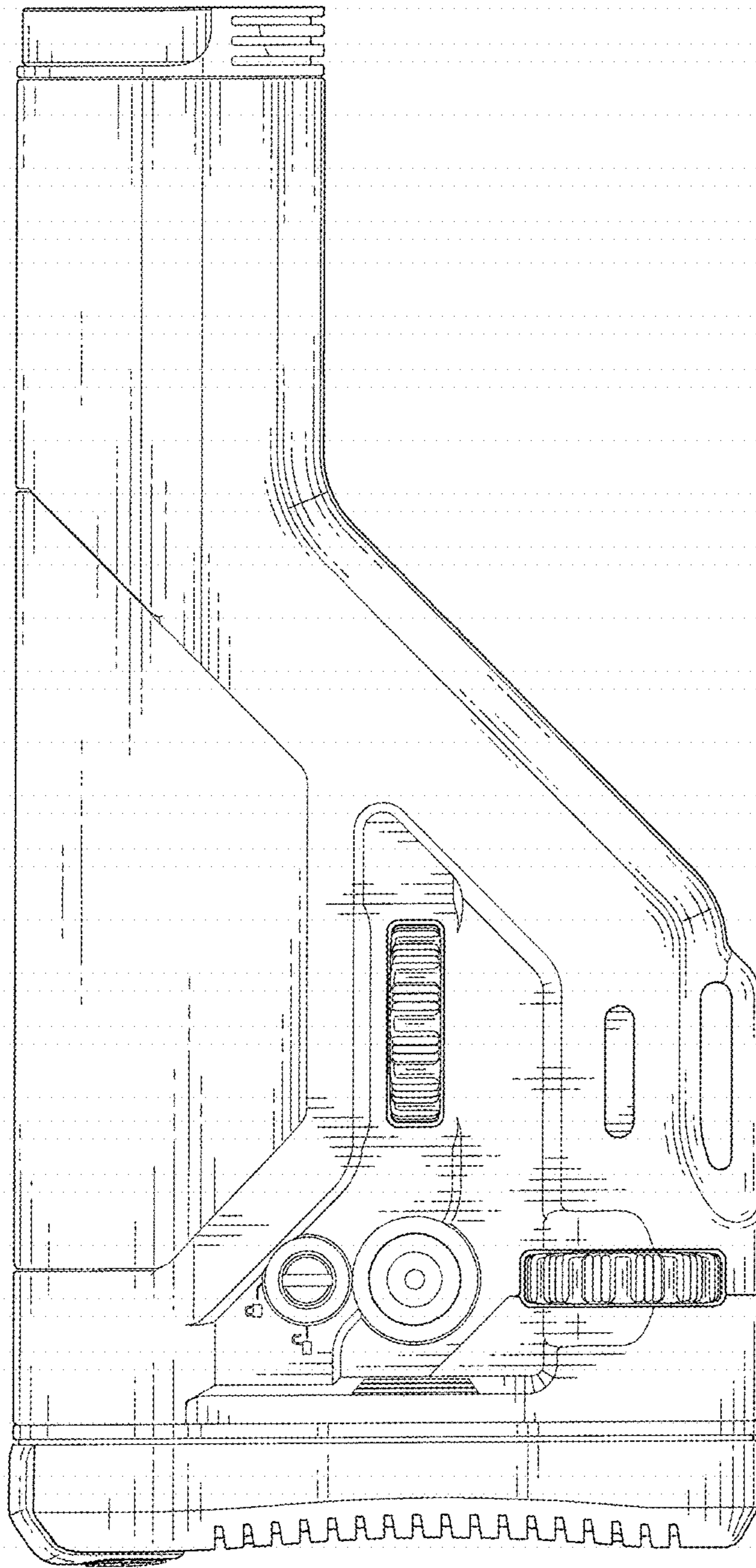


FIG. 6

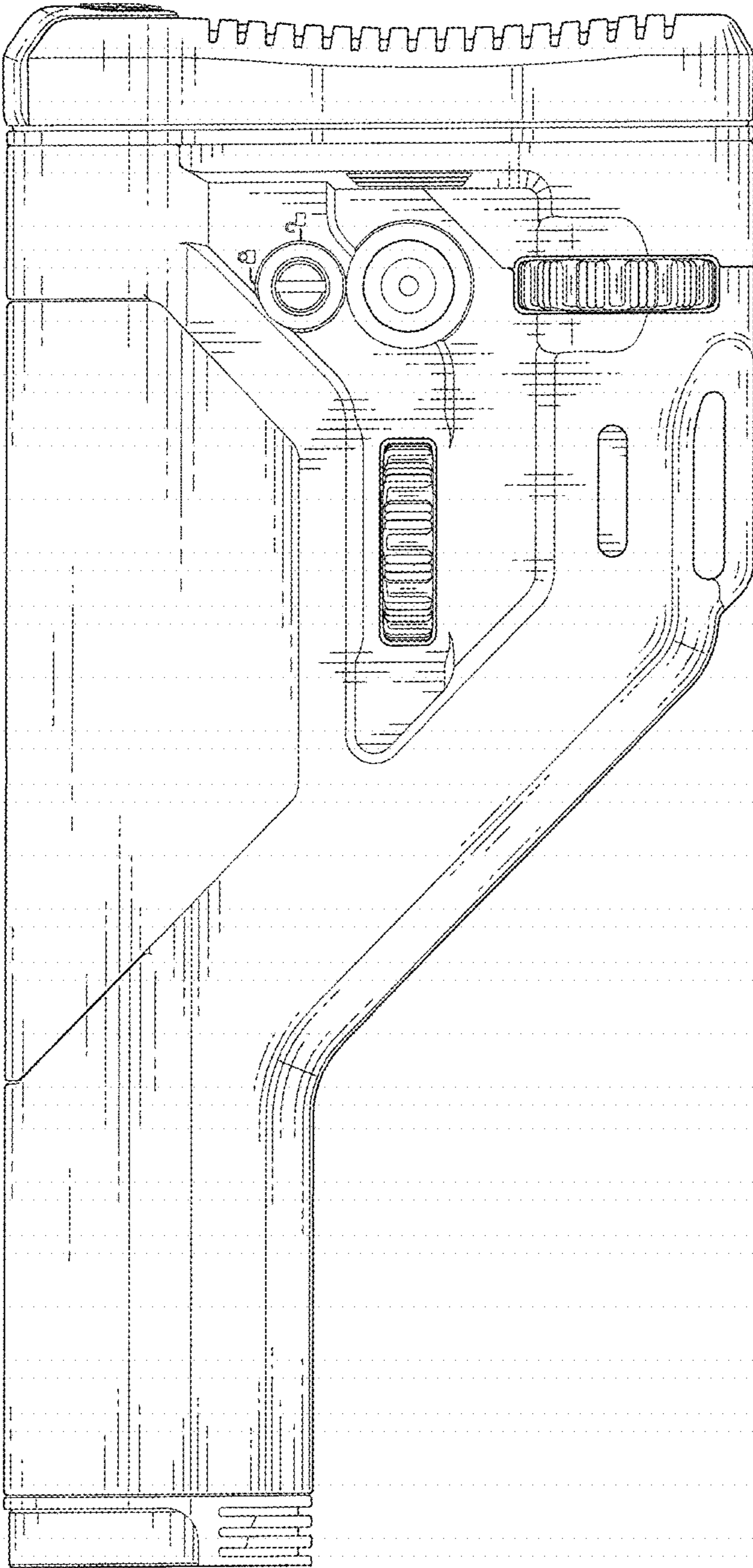


FIG. 7

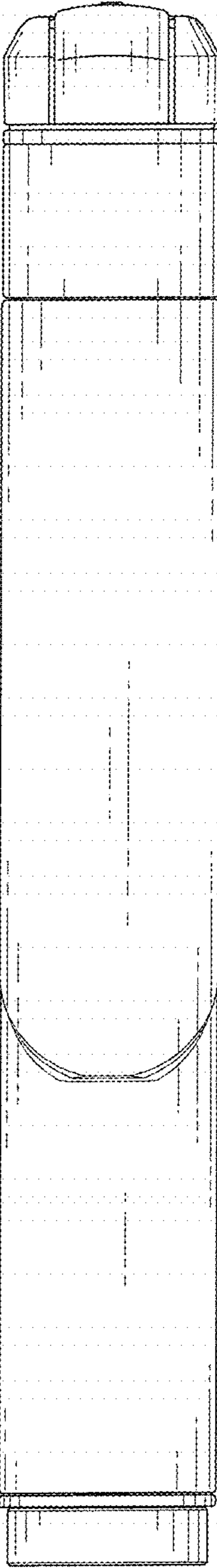


FIG. 8

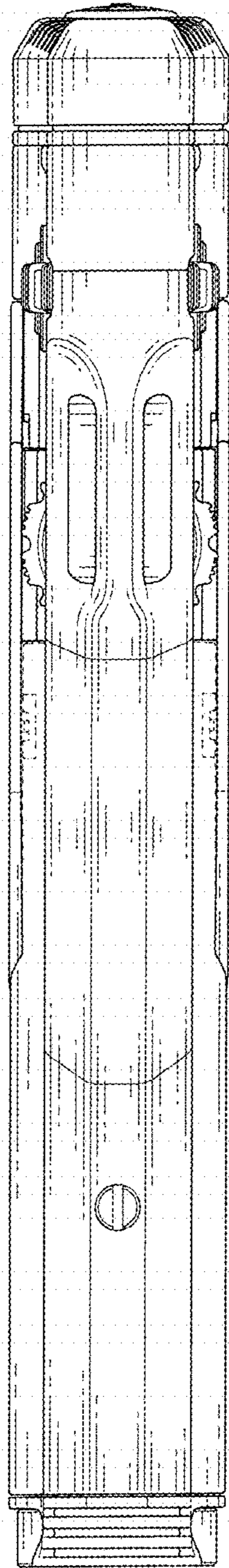


FIG. 9