



US00D760325S

(12) **United States Design Patent**  
**Sano**

(10) **Patent No.:** **US D760,325 S**  
(45) **Date of Patent:** **\*\* Jun. 28, 2016**

- (54) **TOY CAR**
- (71) Applicant: **EPOCH COMPANY, LTD.**, Tokyo (JP)
- (72) Inventor: **Tomomi Sano**, Tokyo (JP)
- (73) Assignee: **EPOCH COMPANY, LTD.**, Tokyo (JP)
- (\*\*) Term: **14 Years**
- (21) Appl. No.: **29/524,404**
- (22) Filed: **Apr. 20, 2015**

|              |         |           |       |         |
|--------------|---------|-----------|-------|---------|
| D295,772 S * | 5/1988  | Kwan      | ..... | D21/552 |
| D314,594 S * | 2/1991  | Trossman  | ..... | D21/552 |
| D326,691 S * | 6/1992  | Mephram   | ..... | D21/560 |
| D334,222 S * | 3/1993  | Krebs     | ..... | D21/552 |
| D379,383 S * | 5/1997  | Yeh       | ..... | D21/548 |
| D410,506 S * | 6/1999  | Lam       | ..... | D21/552 |
| D432,596 S * | 10/2000 | Rosen     | ..... | D21/552 |
| D445,465 S * | 7/2001  | Ma        | ..... | D21/552 |
| D445,466 S * | 7/2001  | Ma        | ..... | D21/552 |
| D564,045 S * | 3/2008  | Fallas    | ..... | D21/434 |
| D602,710 S * | 10/2009 | Thurston  | ..... | D6/674  |
| D673,624 S * | 1/2013  | Kasahara  | ..... | D21/434 |
| D721,185 S * | 1/2015  | Ogorodnii | ..... | D25/10  |

\* cited by examiner

(30) **Foreign Application Priority Data**

Oct. 21, 2014 (JP) ..... 2014-023589

(51) **LOC (10) Cl.** ..... **21-01**

(52) **U.S. Cl.**  
USPC ..... **D21/552**

(58) **Field of Classification Search**  
USPC ..... D21/419, 434, 533, 548, 551, 552, 558,  
D21/559; D12/1, 14, 16, 93, 96; D25/10  
CPC ... A63H 17/26; A63H 17/262; A63H 17/264;  
A63H 17/266; A63H 17/36; A63H 17/38;  
A63H 29/00; A63H 29/22; A63H 29/24;  
A63H 30/04

See application file for complete search history.

(56) **References Cited**

**U.S. PATENT DOCUMENTS**

|              |        |          |       |         |
|--------------|--------|----------|-------|---------|
| D171,550 S * | 2/1954 | Mayer    | ..... | 296/21  |
| D215,205 S * | 9/1969 | Mumford  | ..... | D25/10  |
| D264,202 S * | 5/1982 | Elkins   | ..... | D12/83  |
| D282,032 S * | 1/1986 | Lemmeyer | ..... | D21/552 |

*Primary Examiner* — Cynthia M Chin

(74) *Attorney, Agent, or Firm* — Westerman, Hattori,  
Daniels & Adrian, LLP

(57) **CLAIM**

The ornamental design for a toy car, as shown and described.

**DESCRIPTION**

FIG. 1 is a front perspective view of a toy car showing my new design.

FIG. 2 is a rear perspective view thereof.

FIG. 3 is a right side elevational view thereof.

FIG. 4 is a left side elevational view thereof.

FIG. 5 is a rear elevational view thereof.

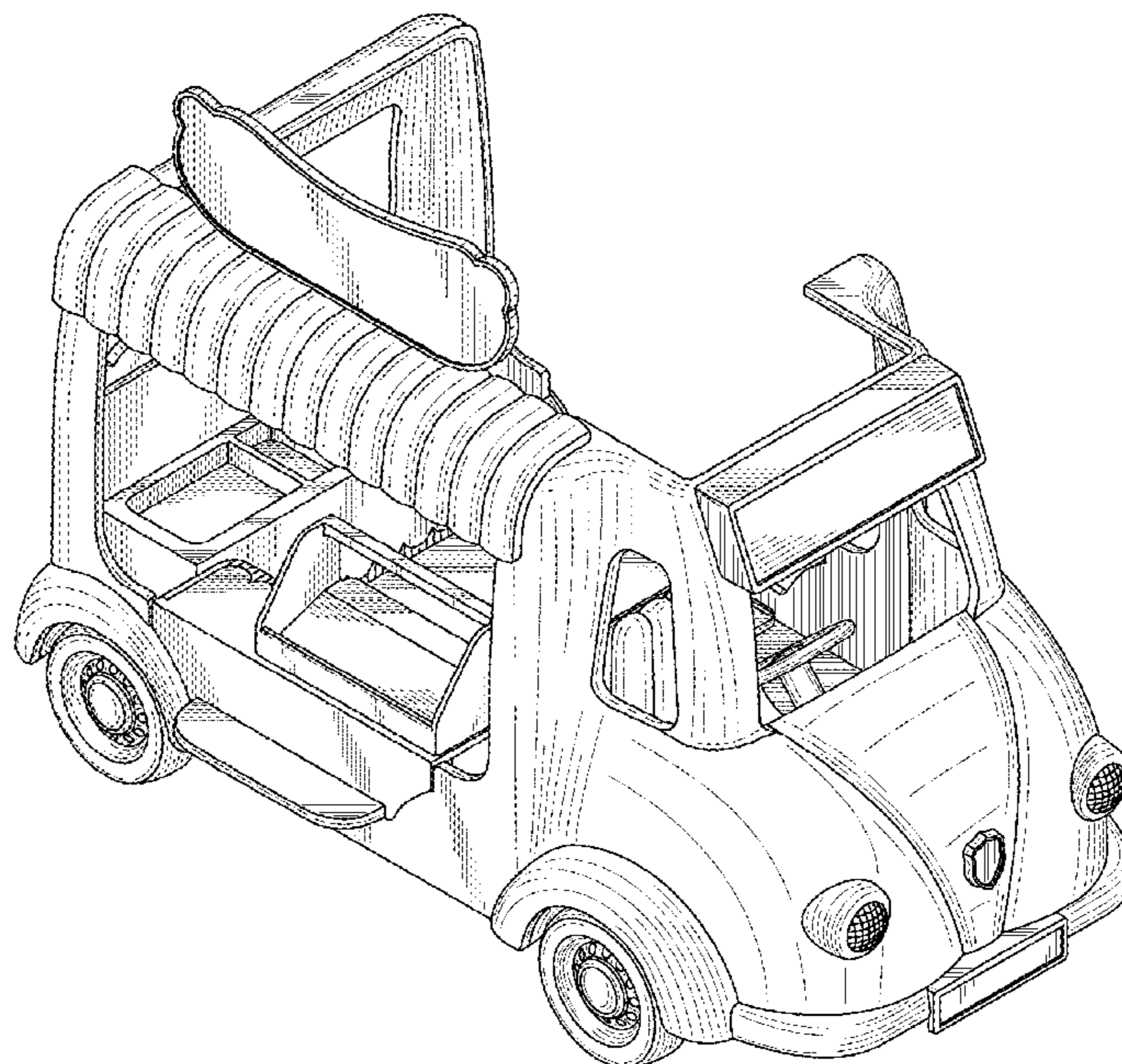
FIG. 6 is a front elevational view thereof.

FIG. 7 is a top plan view thereof; and,

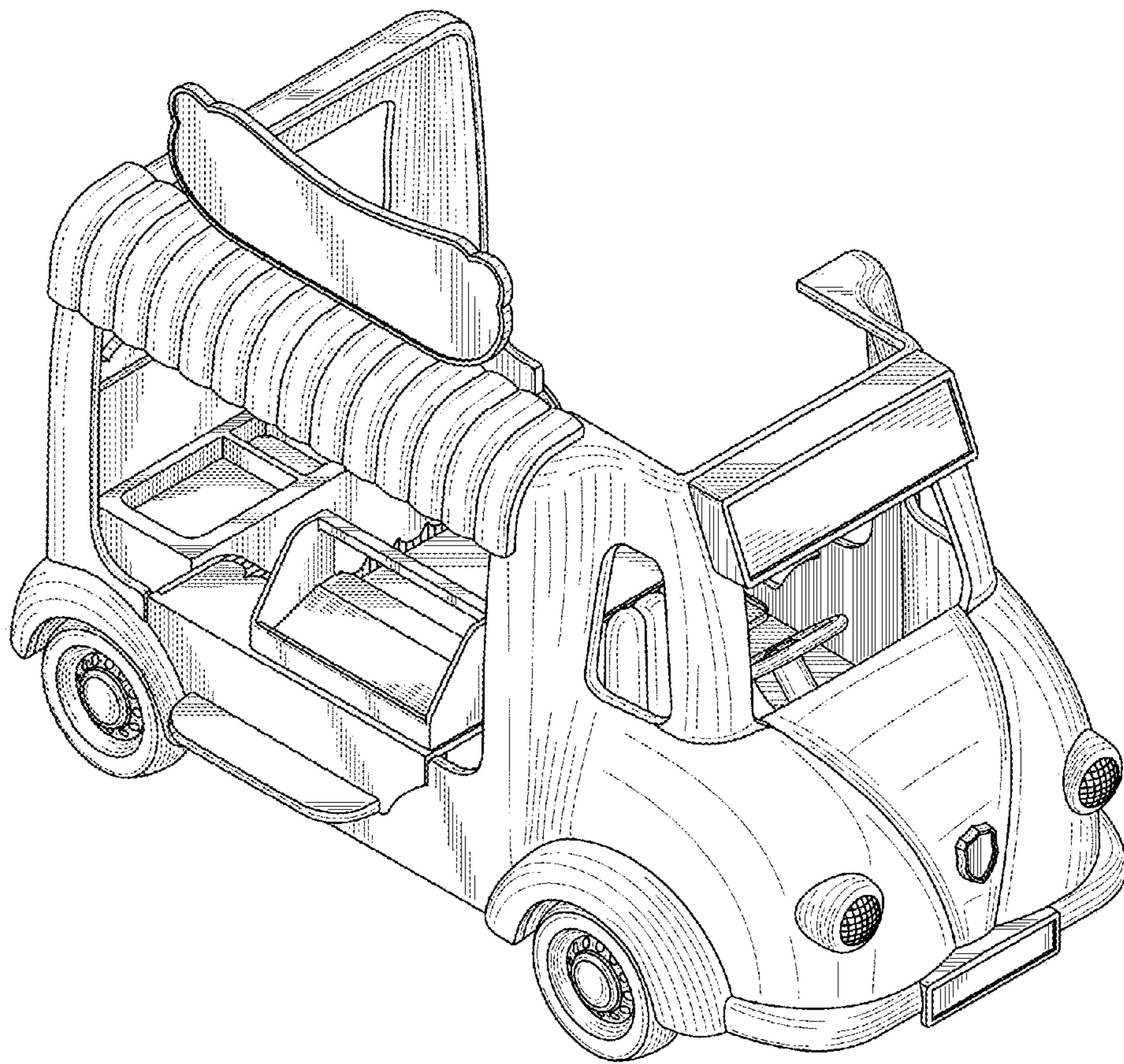
FIG. 8 is a front perspective view thereof, showing movable components in their alternate positions.

The broken lines in FIGS. 5 and 6 illustrate environmental structure that is not part of the claimed design.

**1 Claim, 8 Drawing Sheets**

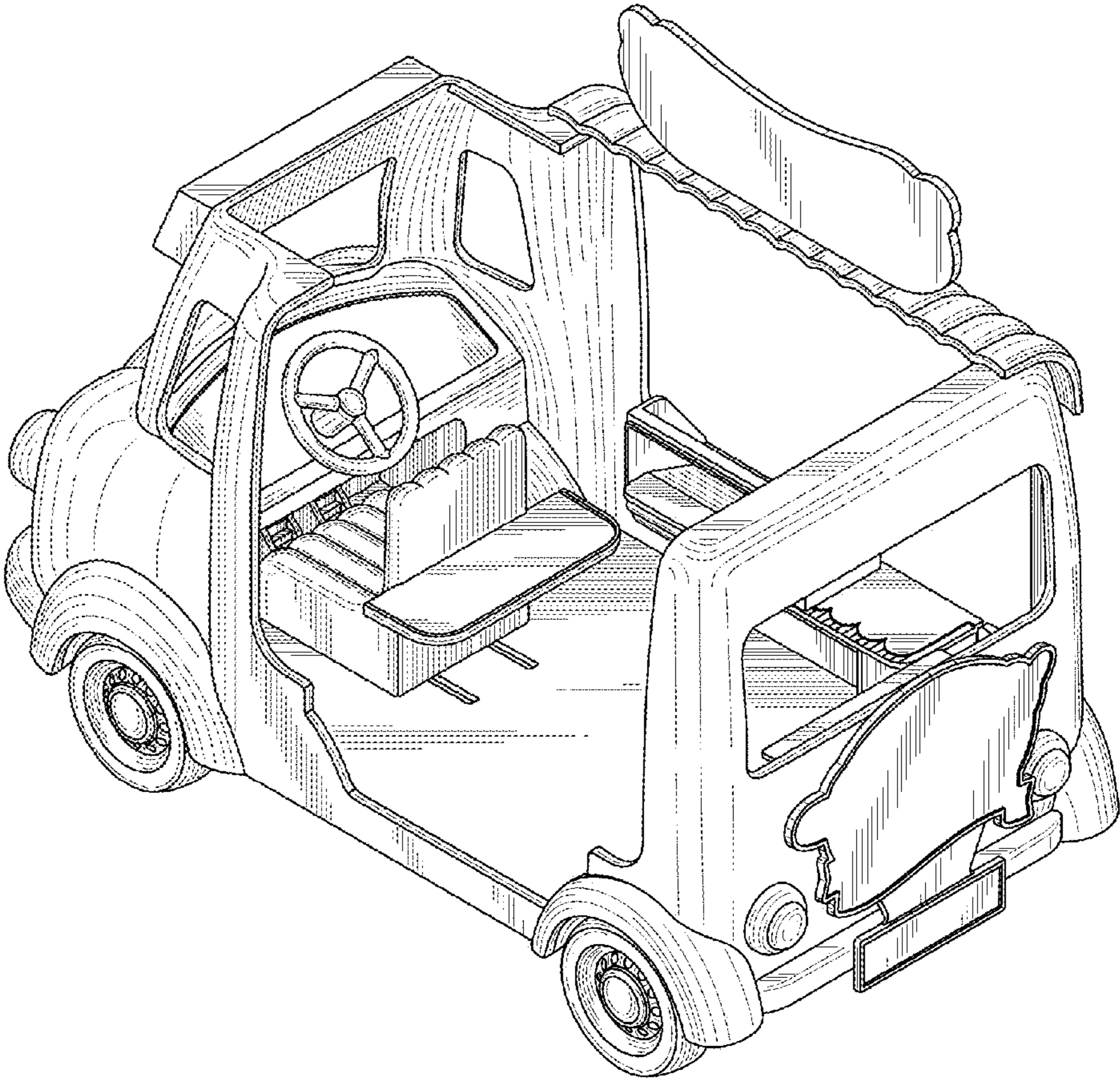


*FIG. 1*

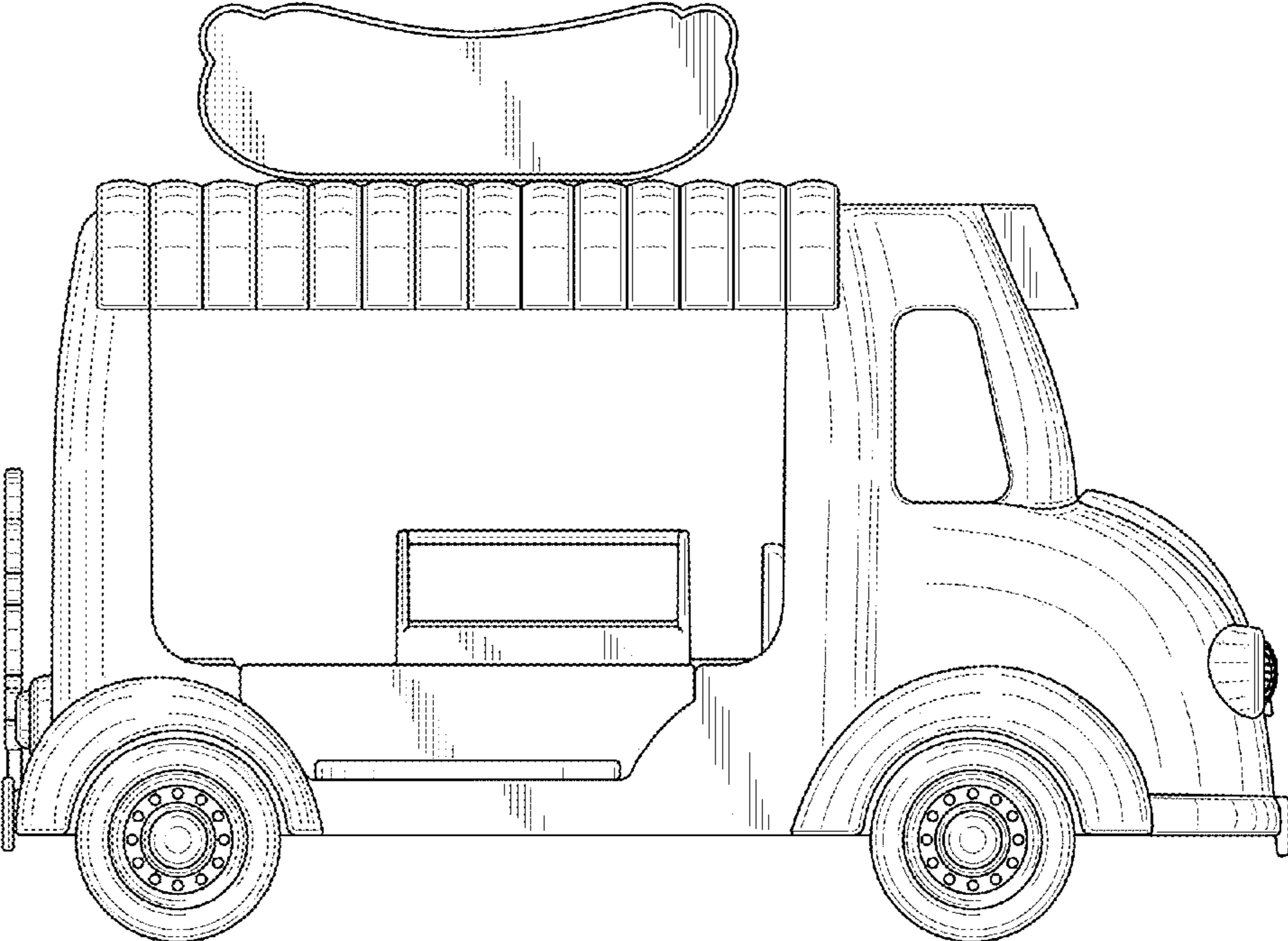




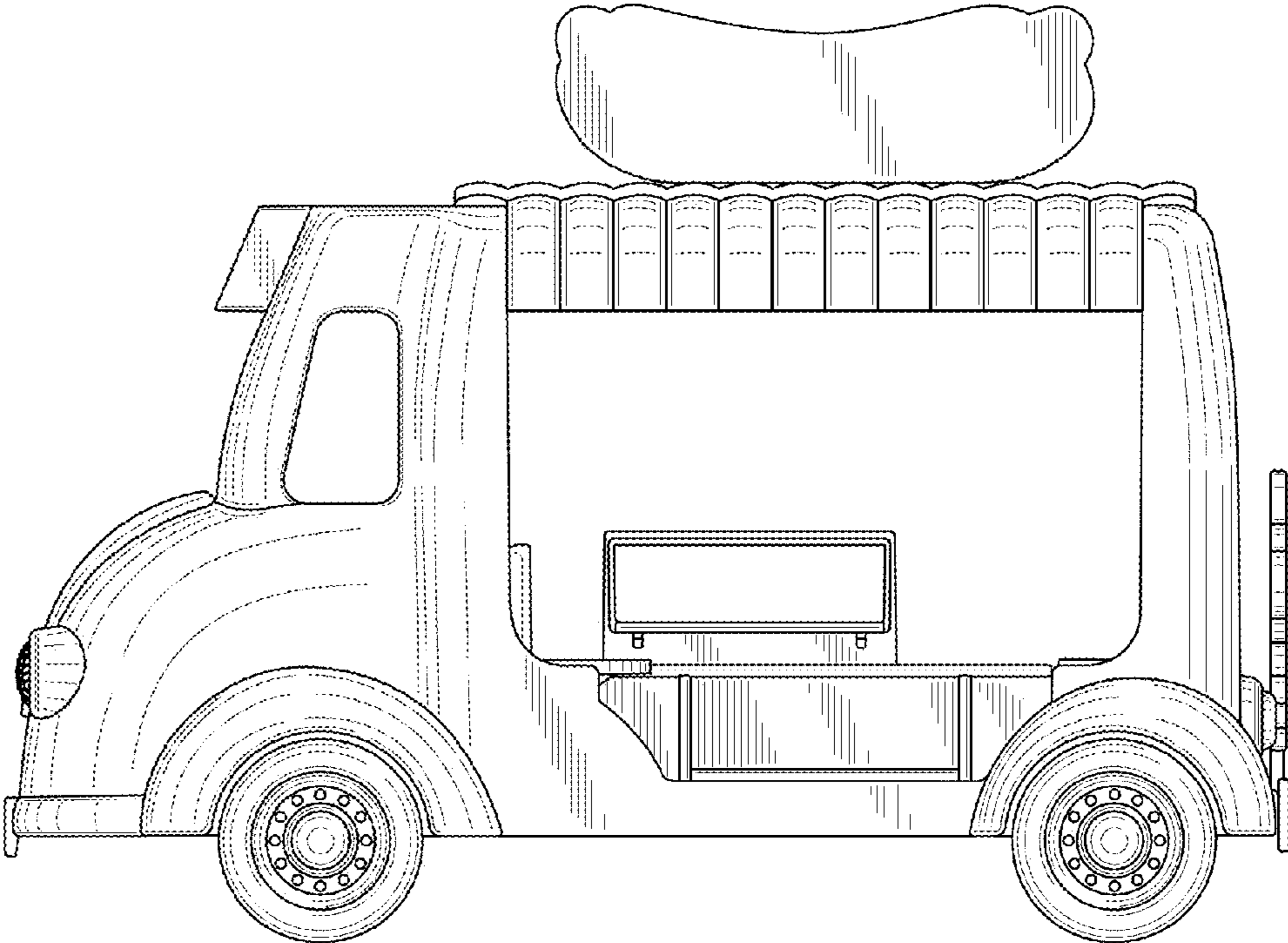
**FIG. 2**



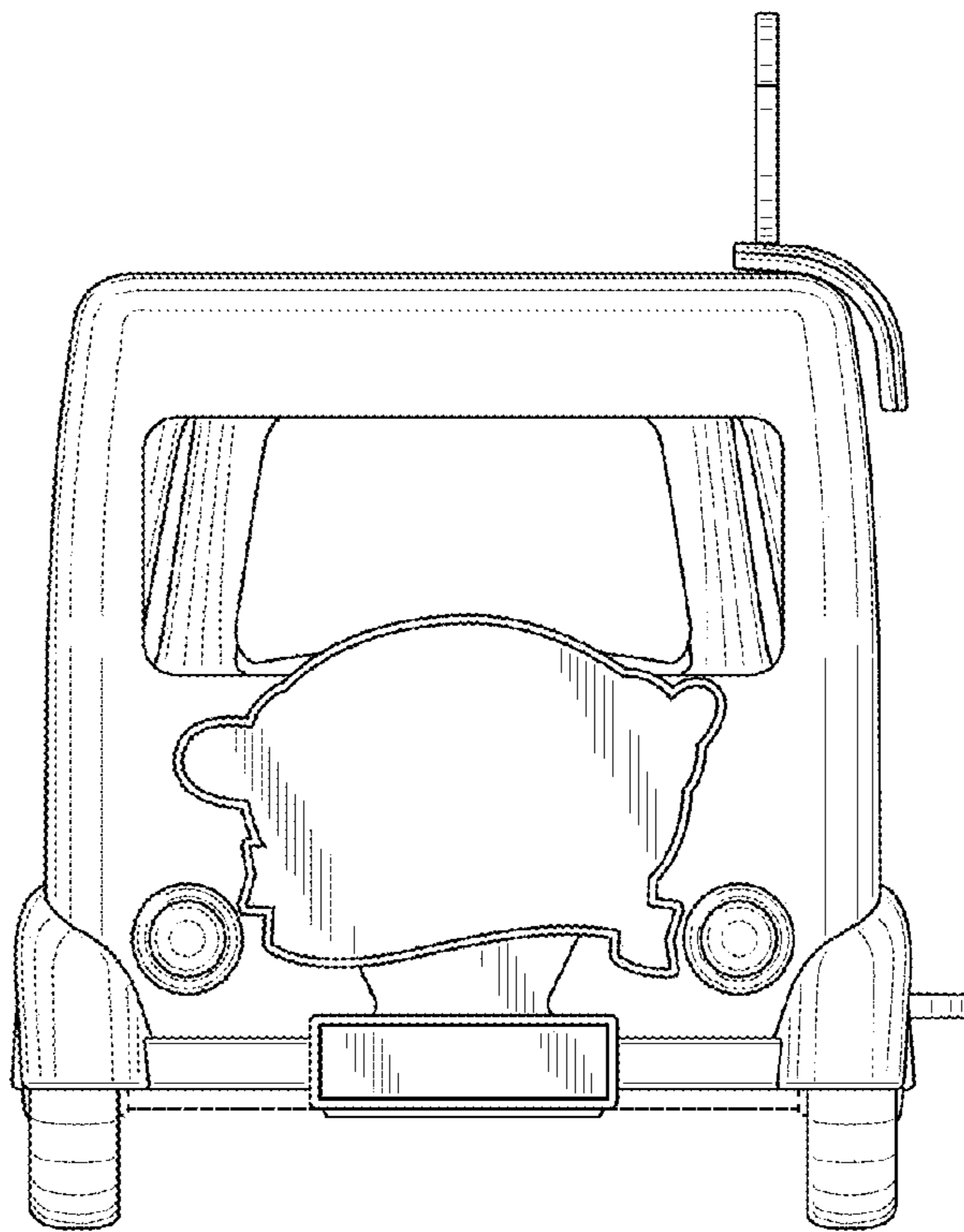
**FIG. 3**



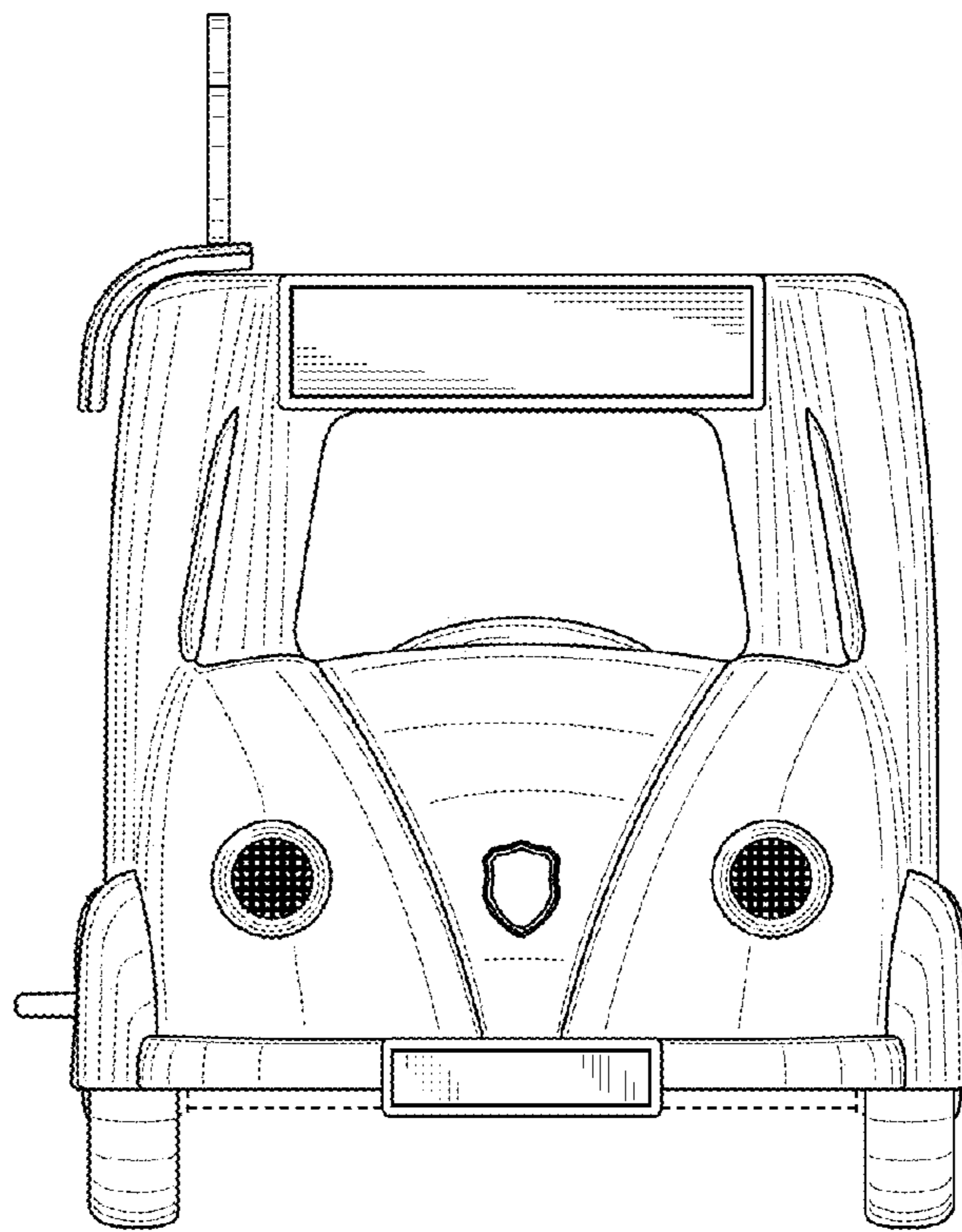
**FIG. 4**



**FIG. 5**

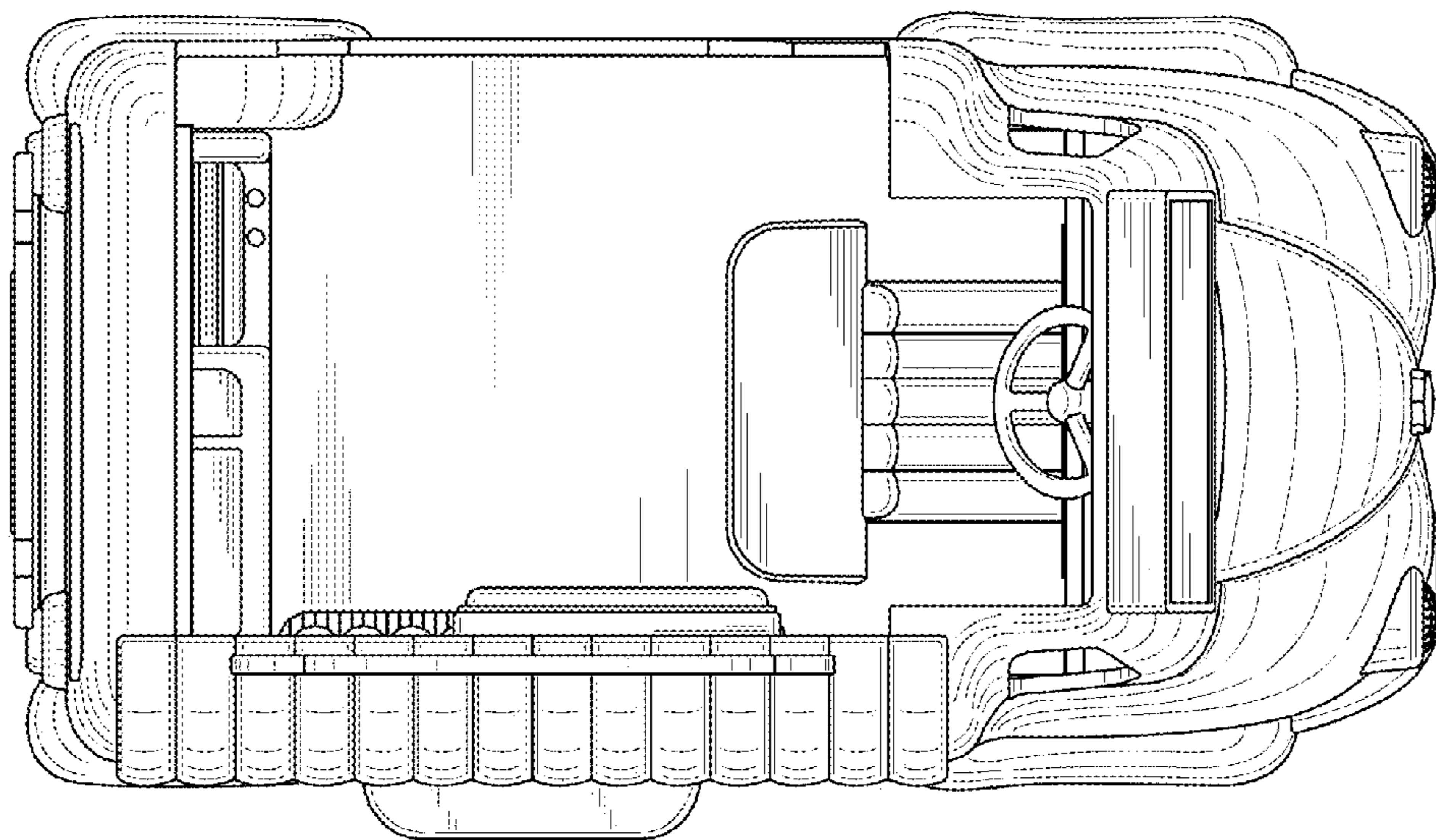


**FIG. 6**





*FIG. 7*





**FIG. 8**

