

US00D760324S

(12) **United States Design Patent**  
**Akimoto**

(10) **Patent No.:** **US D760,324 S**  
(45) **Date of Patent:** **\*\* Jun. 28, 2016**

- (54) **TOY BLOCK**
- (71) Applicant: **UNIVERSALSOFT CO., LTD.**,  
Fujisawa-shi, Kanagawa (JP)
- (72) Inventor: **Yoshimi Akimoto**, Fujisawa (JP)
- (73) Assignee: **UNIVERSALSOFT CO., LTD.**,  
Fujisawa-shi (JP)
- (\*\*) Term: **14 Years**
- (21) Appl. No.: **29/515,244**
- (22) Filed: **Jan. 21, 2015**
- (30) **Foreign Application Priority Data**

Aug. 20, 2014 (JP) ..... 2014-0018069

- (51) **LOC (10) CL.** ..... **21-01**
- (52) **U.S. CL.**  
USPC ..... **D21/499**

- (58) **Field of Classification Search**  
USPC ..... D21/386, 389, 404, 468, 470, 471,  
D21/484-505; 446/69, 85, 102-128;  
434/208, 259, 403; 273/153, 156, 160;  
D25/113-116, 118  
CPC ..... A63H 33/04; A63H 33/06; A63H 33/08;  
A63H 33/084; A63H 33/086; A63H 33/088;  
A63H 33/10; A63H 33/105; A63H 33/108  
See application file for complete search history.

(56) **References Cited**

**U.S. PATENT DOCUMENTS**

- 1,216,840 A \* 2/1917 Ramsey ..... A63H 33/105  
144/307
- D272,167 S \* 1/1984 Chatani ..... D21/499
- D276,926 S \* 12/1984 Petersson ..... D21/501
- D286,416 S \* 10/1986 Kassai ..... D21/499
- D336,320 S \* 6/1993 Sher ..... D21/499
- 1,336,320 A 6/1993 Sher
- D343,427 S \* 1/1994 Sher ..... 446/128
- 2,343,427 A 1/1994 Sher
- D369,100 S \* 4/1996 Johnson ..... D21/499

- 5,833,465 A \* 11/1998 Jarzewiak ..... G09B 17/00  
434/171
- D413,636 S \* 9/1999 Laserna Fernandez ..... D21/499
- D447,944 S \* 9/2001 Justice ..... D21/499
- 6,679,780 B1 \* 1/2004 Shih ..... A63F 9/1204  
273/156
- D512,108 S \* 11/2005 Lin ..... D21/499
- 7,507,136 B2 \* 3/2009 Patton ..... A63H 33/046  
335/285
- D614,248 S \* 4/2010 Pedersen ..... D21/499
- D702,774 S \* 4/2014 Wizenberg ..... D21/499
- D705,366 S \* 5/2014 Inversin ..... D21/478
- 8,888,552 B2 \* 11/2014 Wizenberg ..... A63H 33/086  
446/102
- D741,414 S \* 10/2015 Lu ..... D21/499

\* cited by examiner

*Primary Examiner* — Cynthia M Chin

(74) *Attorney, Agent, or Firm* — Westerman, Hattori,  
Daniels & Adrian, LLP

(57) **CLAIM**

The ornamental design for a toy block, as shown and described.

**DESCRIPTION**

FIG. 1 is a front elevational view of the toy block showing my new design;  
 FIG. 2 is a rear elevational view thereof;  
 FIG. 3 is a top plan view thereof;  
 FIG. 4 is a bottom plan view thereof;  
 FIG. 5 is a left-side elevational view thereof;  
 FIG. 6 is a right-side elevational view thereof;  
 FIG. 7 is an isometric view thereof, an opposite isometric view being identical thereto;  
 FIG. 8 is an isometric view thereof, in which a toy block in broken lines is provided to illustrate an example environment; and,  
 FIG. 9 is a perspective view thereof, in which two toy blocks in broken lines are provided to illustrate an example environment.  
 The broken lines depict environmental subject matter only and form no part of the claimed design.  
 The claimed toy block is an assembling bock which can be combined with other assembling blocks to assemble a toy.

**1 Claim, 6 Drawing Sheets**

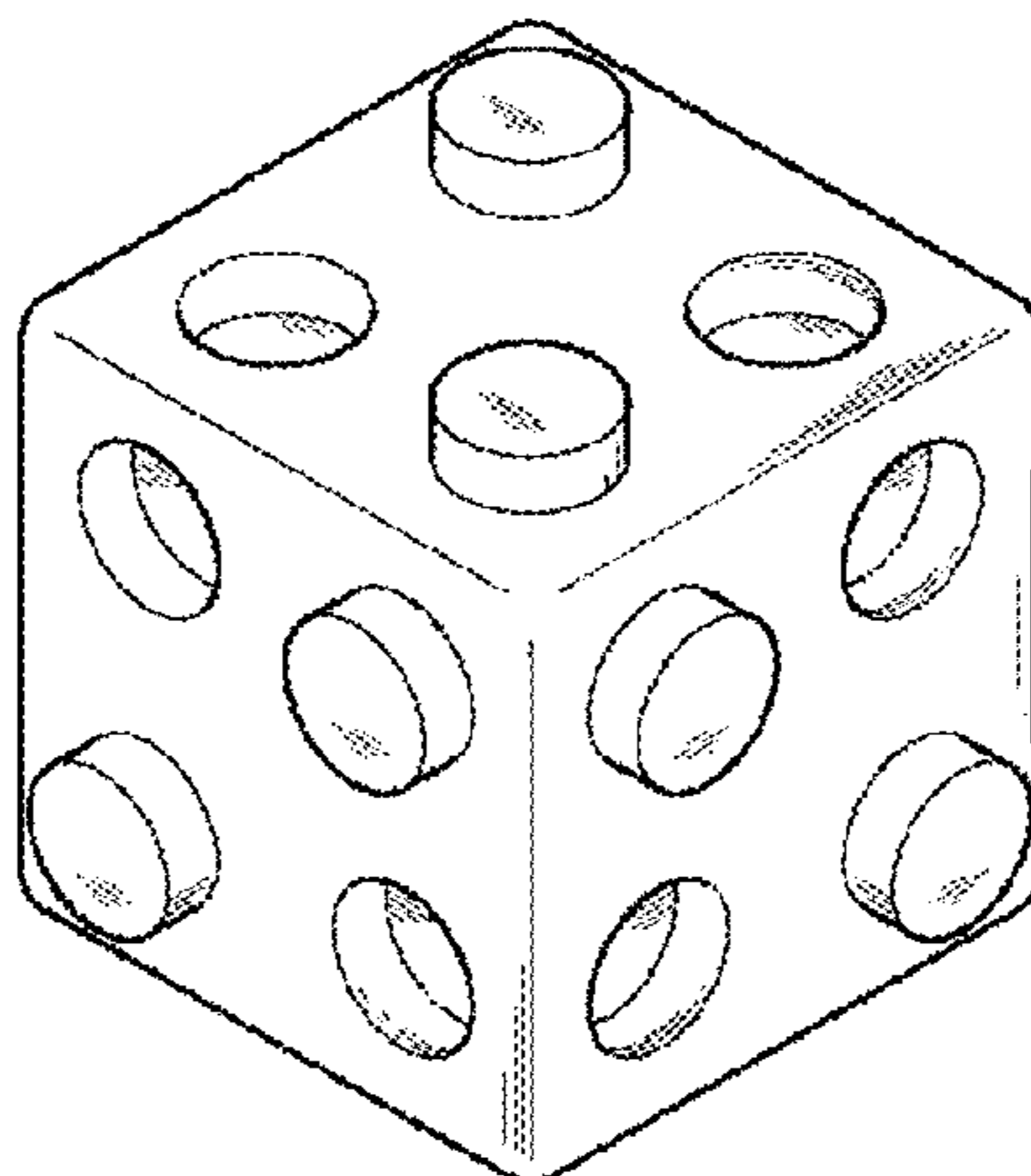


Fig. 1

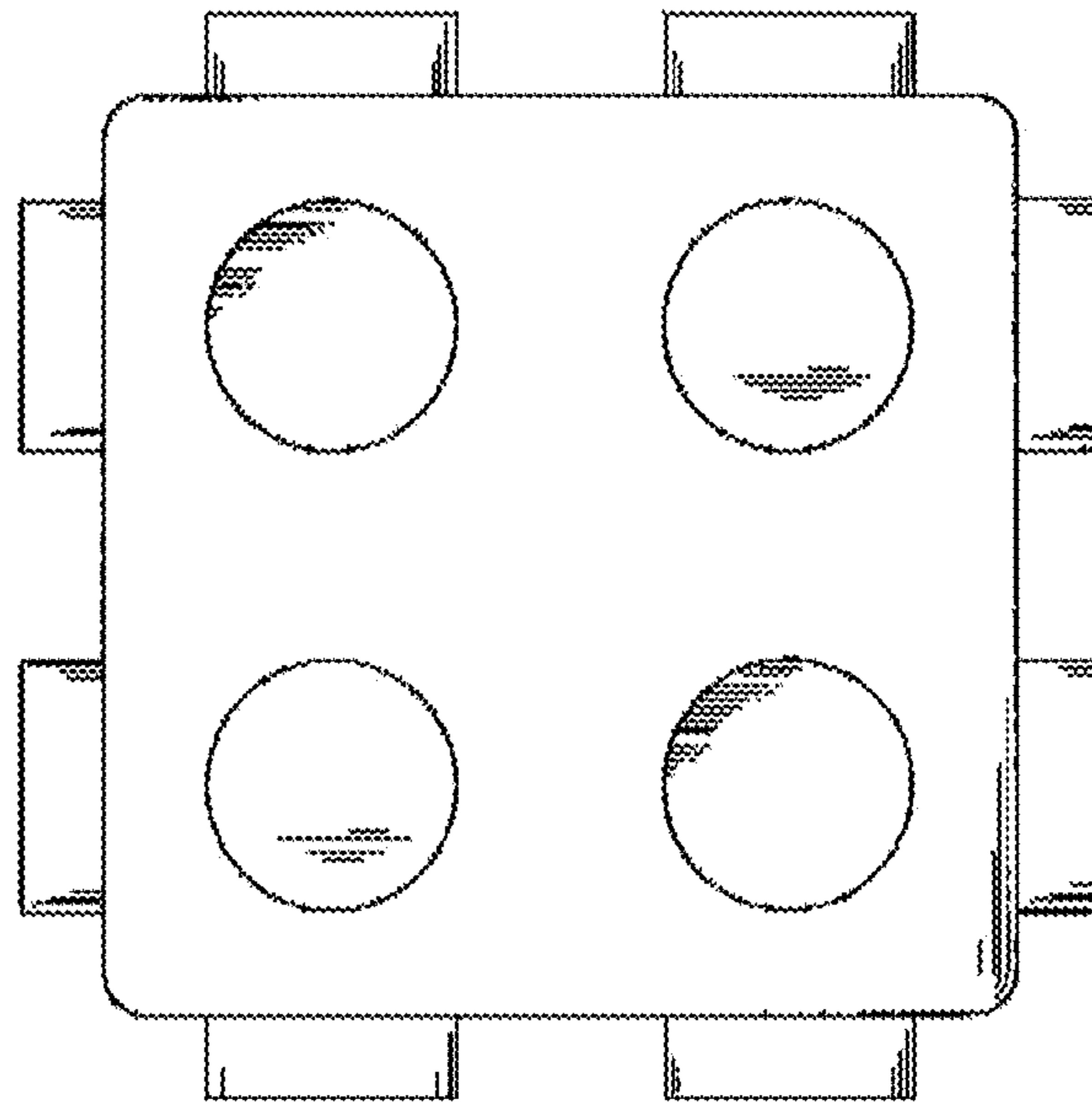


Fig. 2

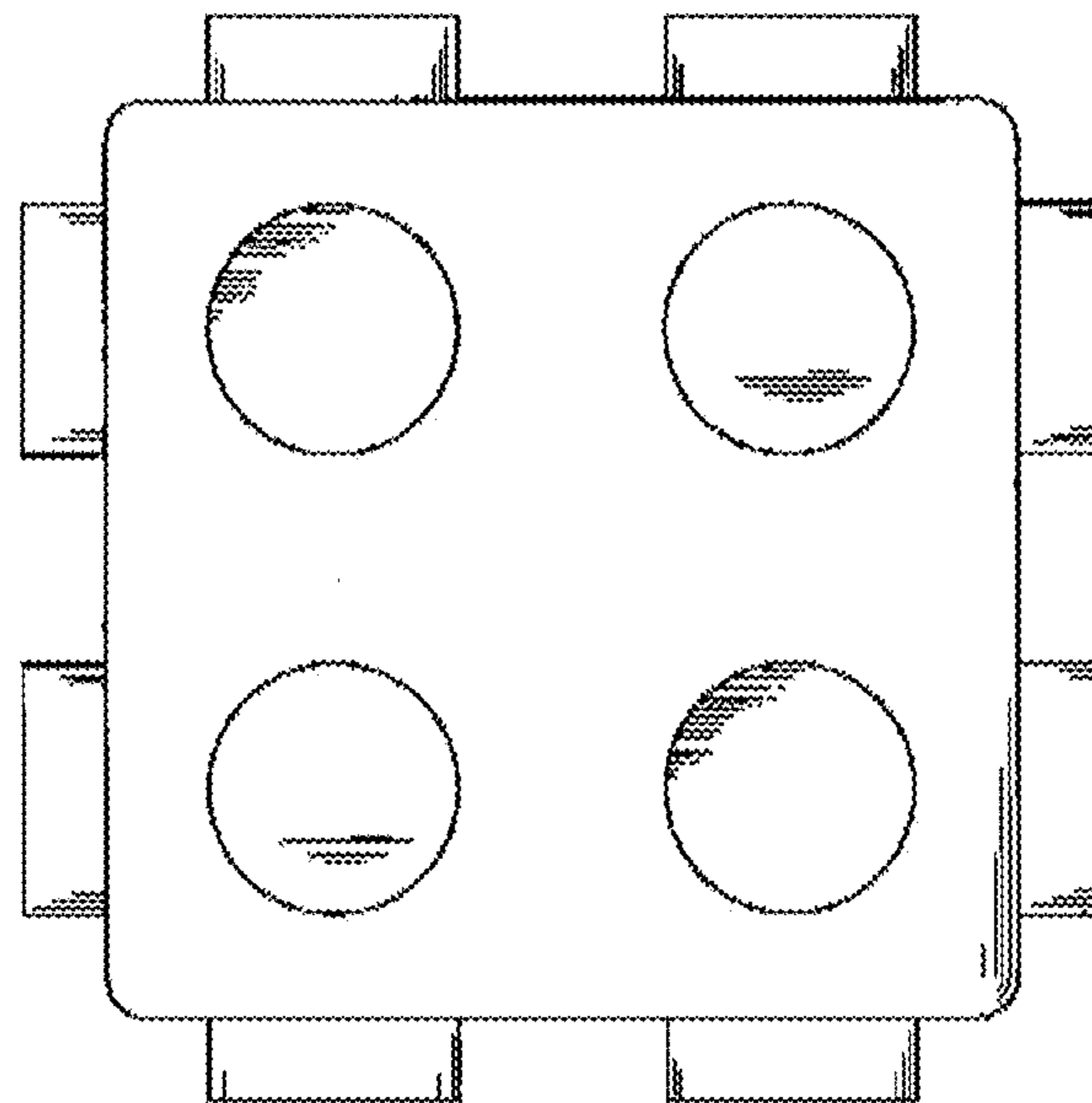


Fig. 3

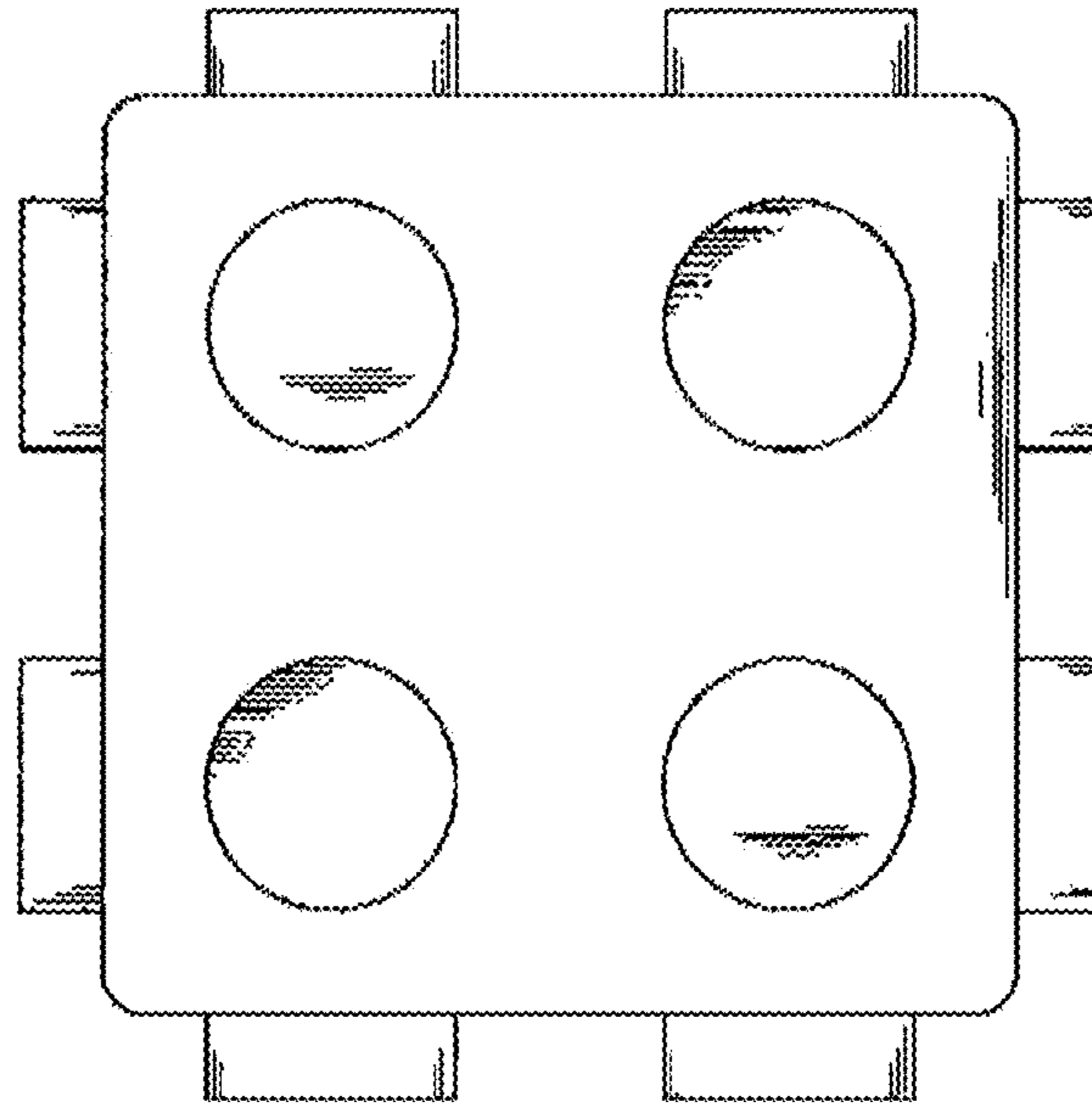


Fig. 4

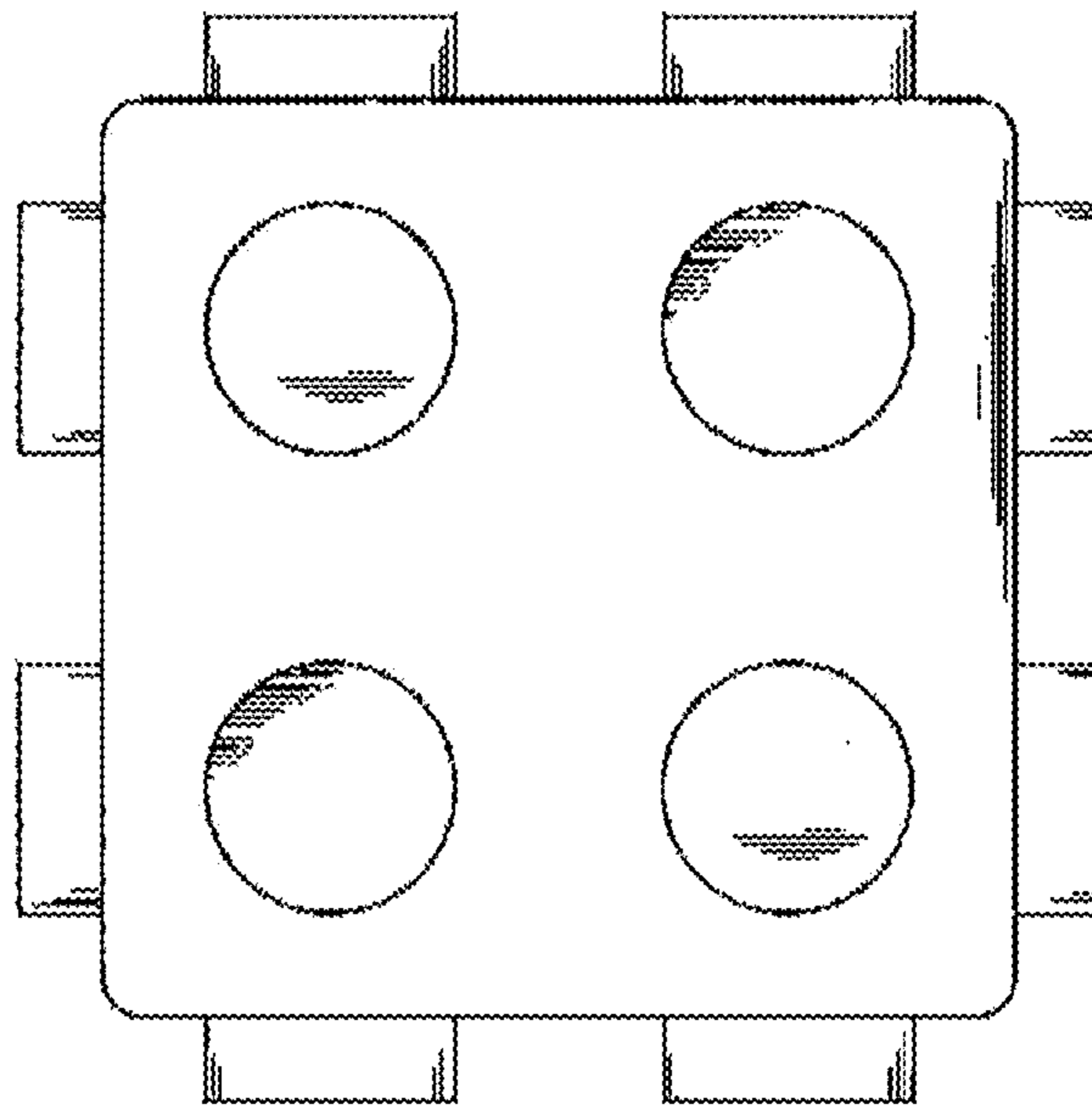


Fig. 5

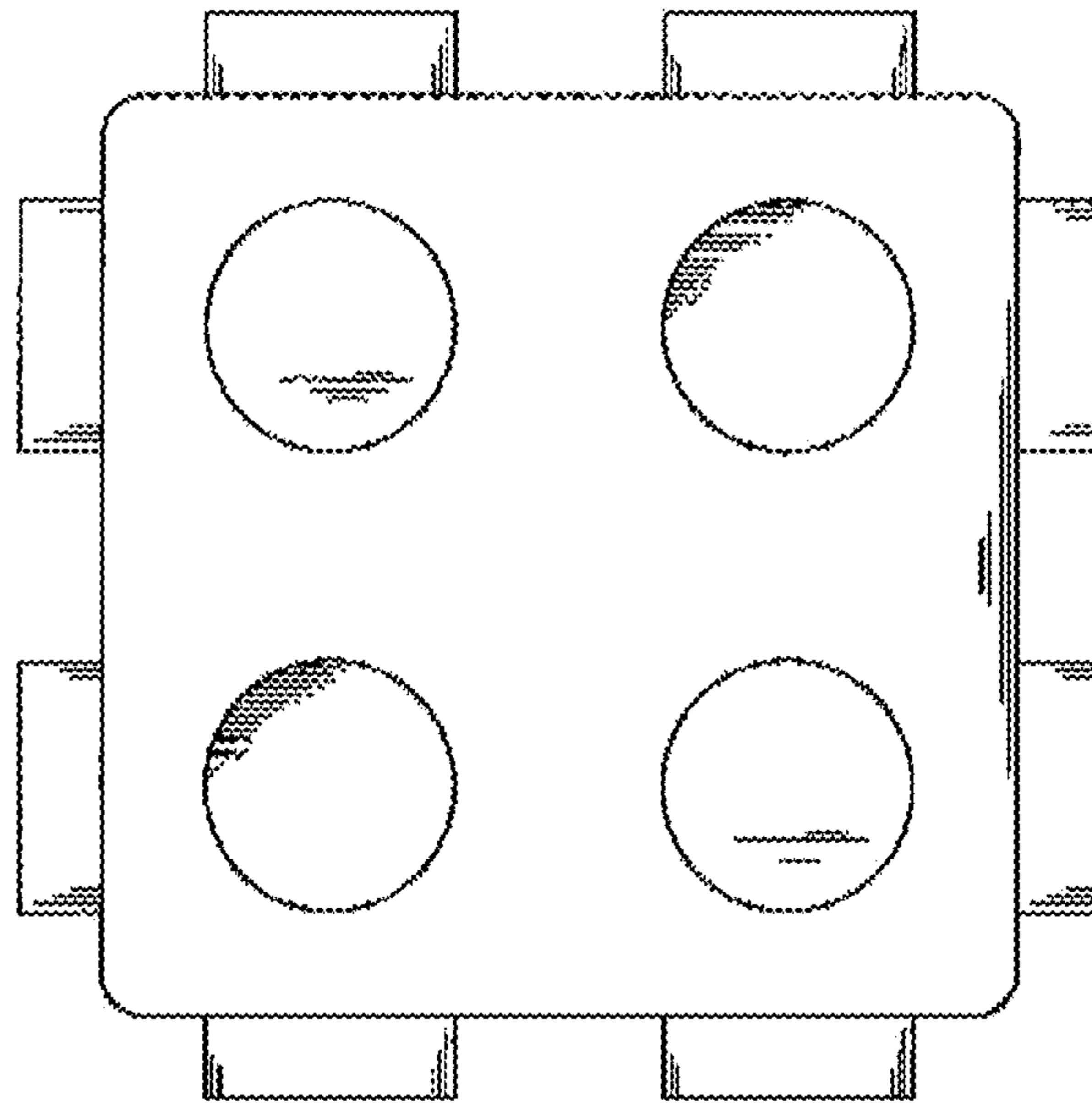


Fig. 6

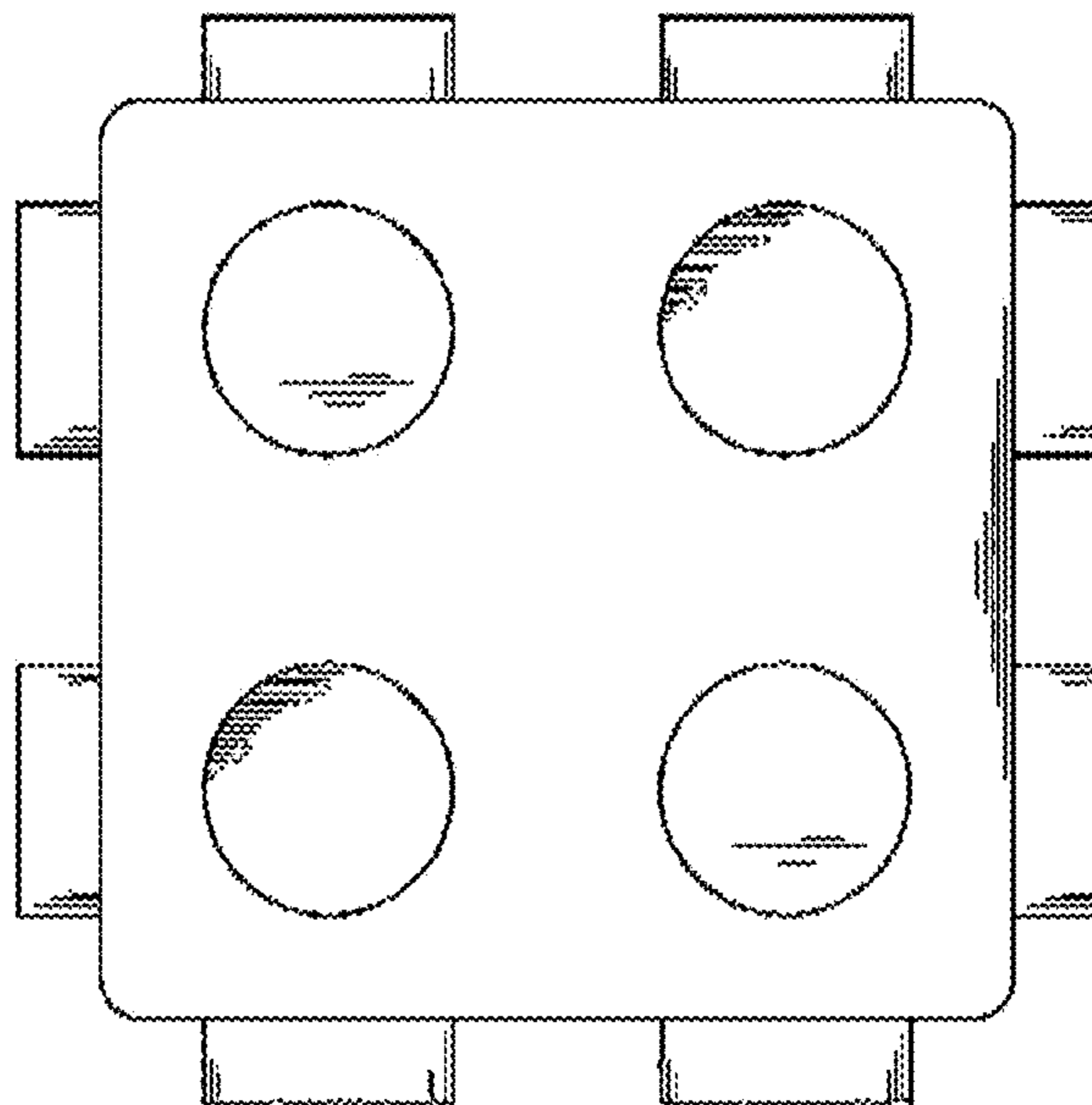


Fig. 7

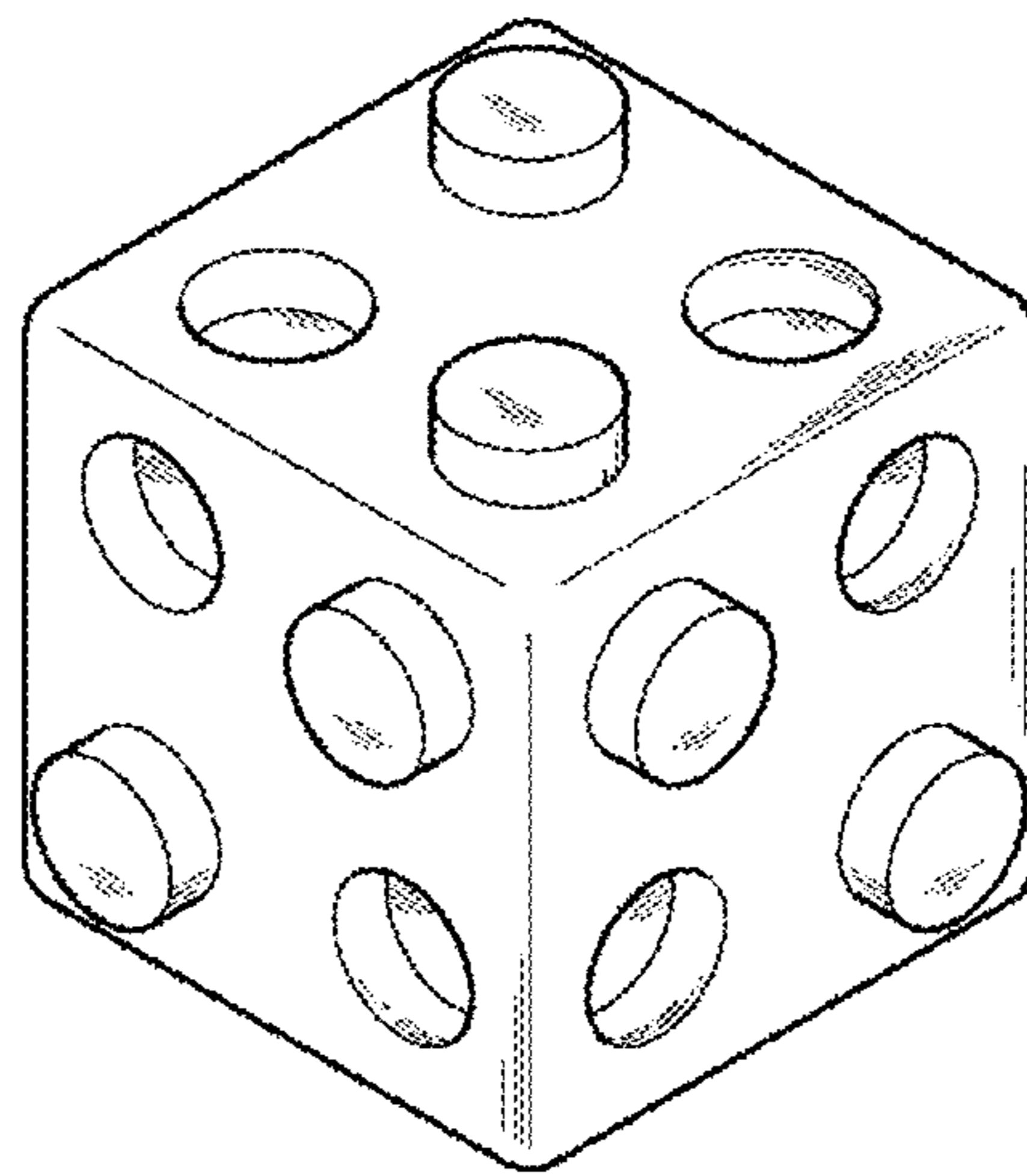




Fig. 8

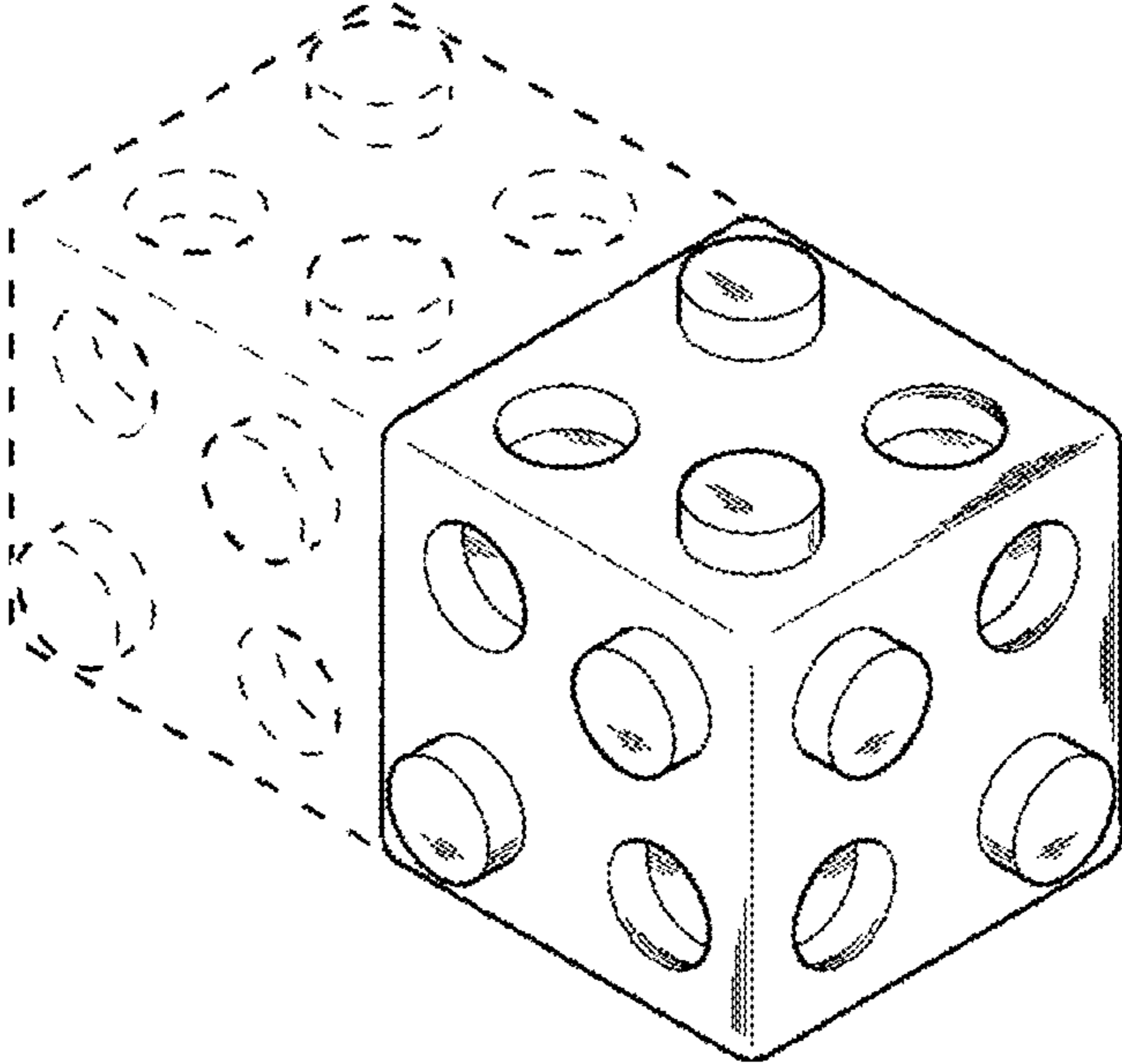


Fig. 9

