



US00D760323S

(12) **United States Design Patent**
Champ

(10) **Patent No.:** **US D760,323 S**
(45) **Date of Patent:** **** Jun. 28, 2016**

(54) **MAGNETIC BLOCK**

DESCRIPTION

- (71) Applicant: **MerchSource, LLC**, Irvine, CA (US)
- (72) Inventor: **Jeff Champ**, Aliso Viejo, CA (US)
- (73) Assignee: **MerchSource, LLC**, Irvine, CA (US)
- (**) Term: **15 Years**
- (21) Appl. No.: **29/528,404**
- (22) Filed: **May 28, 2015**
- (51) **LOC (10) Cl.** **21-01**
- (52) **U.S. Cl.**
USPC **D21/486**
- (58) **Field of Classification Search**
USPC D21/333, 373, 386, 389, 404, 468, 470,
D21/471, 475, 484-505; 446/69, 85,
446/102-128; 434/167, 208, 259, 403;
273/153, 156, 160
CPC A63H 33/04; A63H 33/046; A63H 33/06;
A63H 33/062; A63H 33/08; A63H 33/088;
A63H 33/10; A63H 33/101; A63H 33/108;
A63H 33/12; A63F 9/12; A63F 9/1224
See application file for complete search history.

(56) **References Cited**

U.S. PATENT DOCUMENTS

- 2,662,335 A * 12/1953 Calverley A63H 3/16
446/120
- 2,846,809 A * 8/1958 Majewski A63H 33/103
434/278

(Continued)

Primary Examiner — Cynthia M Chin

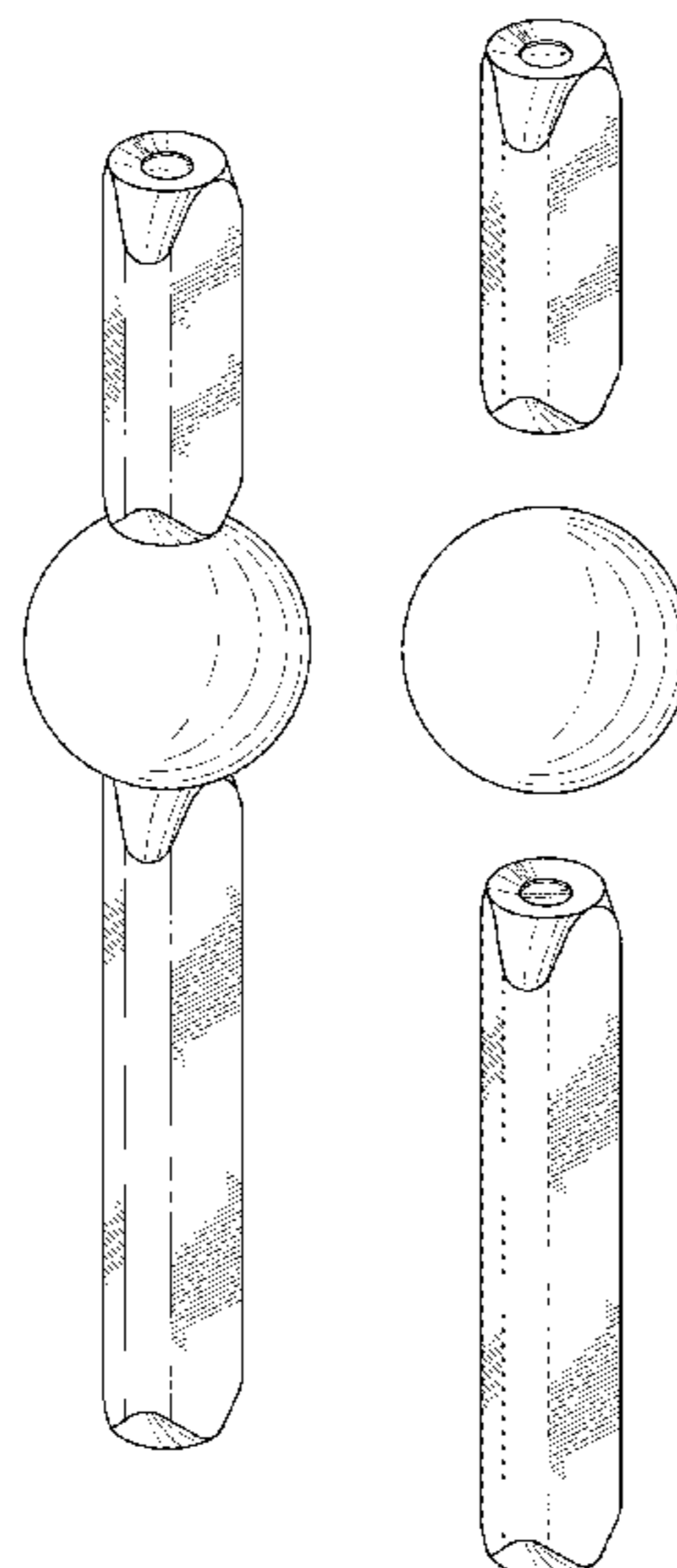
(74) *Attorney, Agent, or Firm* — Avyno Law P.C.

(57) **CLAIM**

I claim the ornamental design for a magnetic block, as shown and described.

FIG. 1 is a front perspective view of magnetic block, containing a top, middle and bottom piece.
 FIG. 2 is a front view of the magnetic block of FIG. 1.
 FIG. 3 is a rear view of the magnetic block of FIG. 1.
 FIG. 4 is a side view of the left side of the magnetic block of FIG. 1.
 FIG. 5 is a side view of the right side of the magnetic block of FIG. 1.
 FIG. 6 is a top view of the magnetic block of FIG. 1.
 FIG. 7 is a bottom view of the magnetic block of FIG. 1.
 FIG. 8 is a front perspective exploded view of the magnetic block of FIG. 1.
 FIG. 9 is a perspective view of the top piece of the magnetic block of FIG. 8, shown separately for clarity of illustration.
 FIG. 10 is a top view of the magnetic block of FIG. 9.
 FIG. 11 is a bottom view of the magnetic block of FIG. 9.
 FIG. 12 is a front view of the magnetic block of FIG. 9.
 FIG. 13 is a rear view of the magnetic block of FIG. 9.
 FIG. 14 is a side view of the left side of the magnetic block of FIG. 9.
 FIG. 15 is a side view of the right side of the magnetic block of FIG. 9.
 FIG. 16 is a perspective view of the top piece of the magnetic block of FIG. 8, shown separately for clarity of illustration.
 FIG. 17 is a top view of the magnetic block of FIG. 16.
 FIG. 18 is a bottom view of the magnetic block of FIG. 16.
 FIG. 19 is a front view of the magnetic block of FIG. 16.
 FIG. 20 is a rear view of the magnetic block of FIG. 16.
 FIG. 21 is a side view of the left side of the magnetic block of FIG. 16.
 FIG. 22 is a side view of the right side of the magnetic block of FIG. 16.
 FIG. 23 is a side view of the left side of the middle piece of the magnetic block of FIG. 8, shown separately for clarity of illustration; and,
 FIG. 24 is a side view of the right side of the middle piece of the magnetic block of FIG. 8.

1 Claim, 9 Drawing Sheets



(56)

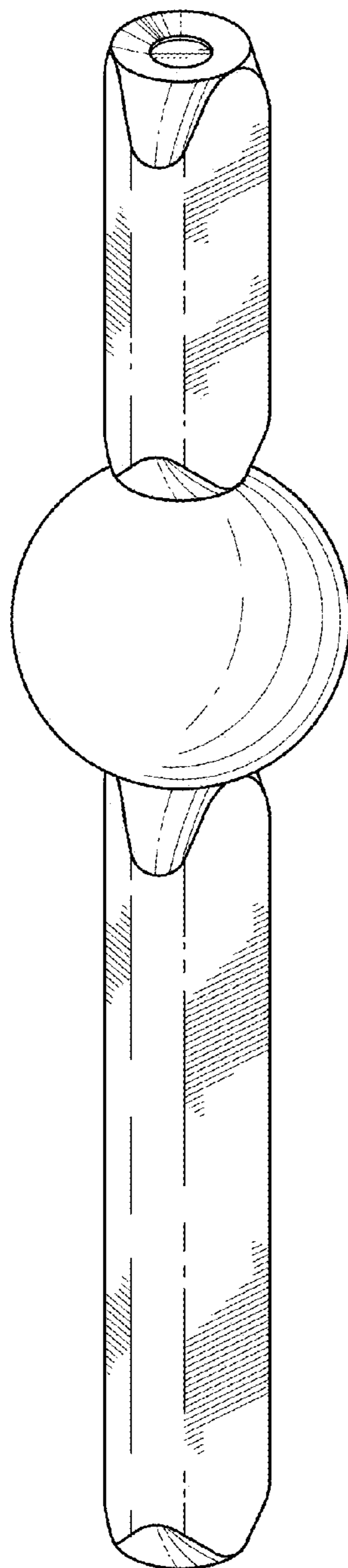
References Cited

U.S. PATENT DOCUMENTS

3,458,949 A *	8/1969	Young	A63H 33/108 434/278	6,537,130 B1 *	3/2003	Lee	A63H 3/04 403/122
3,694,954 A *	10/1972	Brumlik	A63H 33/103 446/102	6,626,727 B2 *	9/2003	Balanchi	A63H 33/108 273/157 R
D306,190 S *	2/1990	Poulsen	D21/498	6,846,216 B1 *	1/2005	Balanchi	A63H 33/046 273/157 R
5,044,960 A *	9/1991	De Porteous	A63H 3/46 434/267	D551,304 S *	9/2007	Manvelian	D21/484
5,752,869 A *	5/1998	Huff	A63H 3/16 446/102	7,371,147 B2 *	5/2008	Tusacciu	A63H 33/046 446/122
5,769,681 A *	6/1998	Greenwood, Sr.	...	A63H 33/101 446/120	7,955,155 B2 *	6/2011	Tremblay	A63H 33/046 446/85
6,264,522 B1 *	7/2001	Dickson	A44C 13/00 446/102	8,127,408 B2 *	3/2012	Wiseman	A44C 5/102 24/303
					D675,681 S *	2/2013	Rottje	D21/486
					D715,872 S *	10/2014	Balanchi	D21/486
					2005/0118926 A1 *	6/2005	Roger	A63H 33/046 446/137

* cited by examiner

FIG. 1



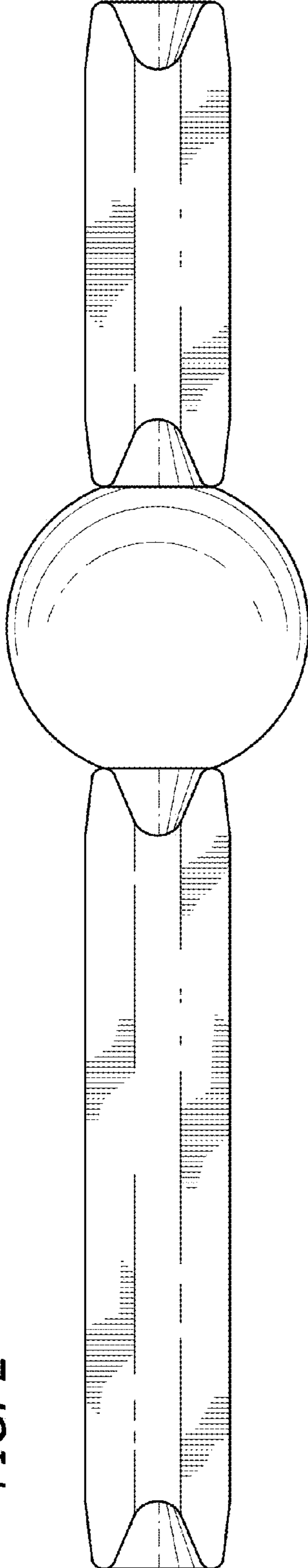


FIG. 2

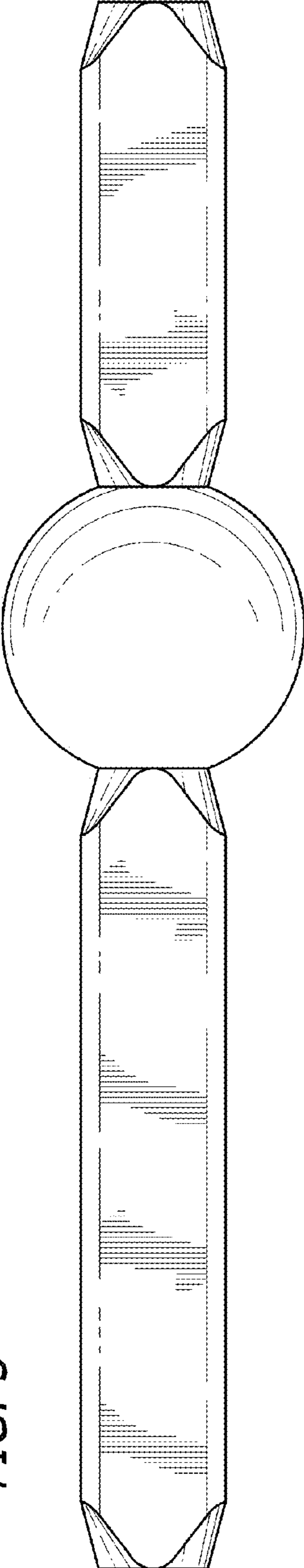
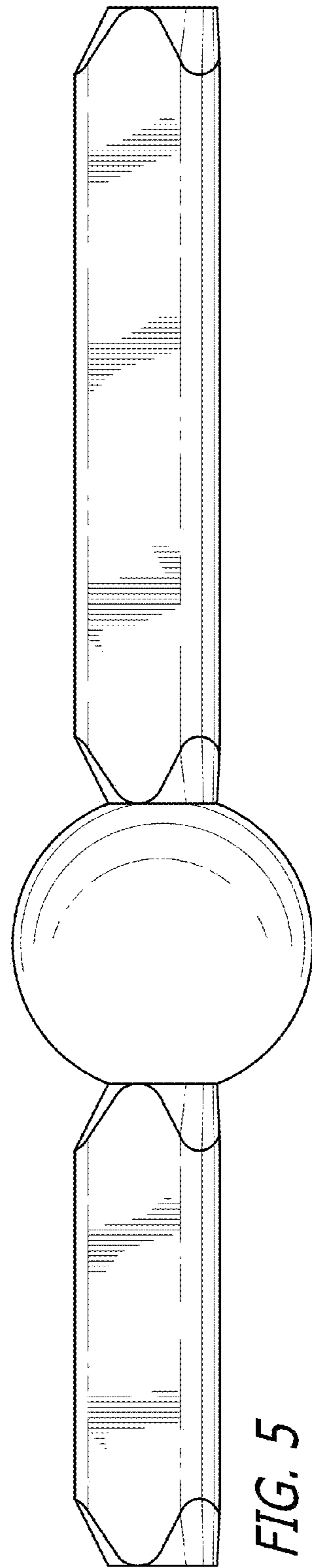
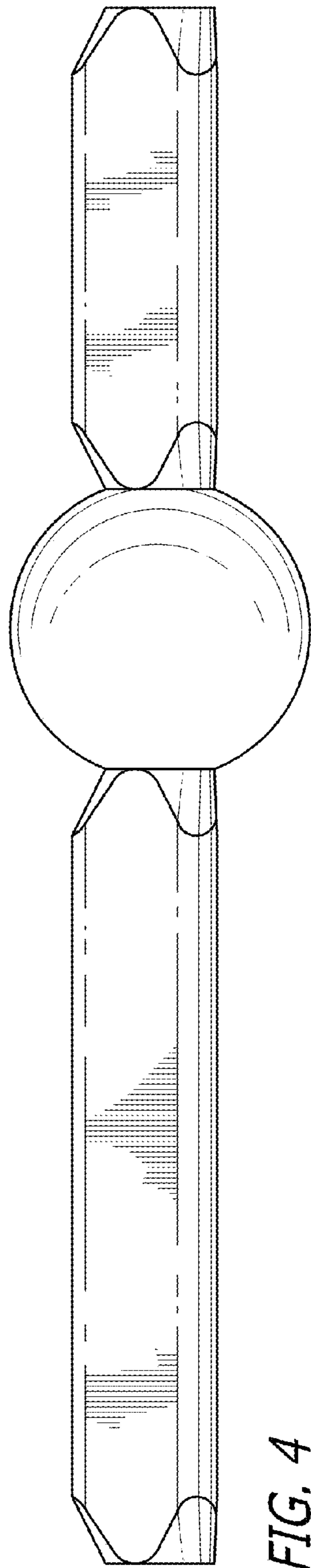


FIG. 3



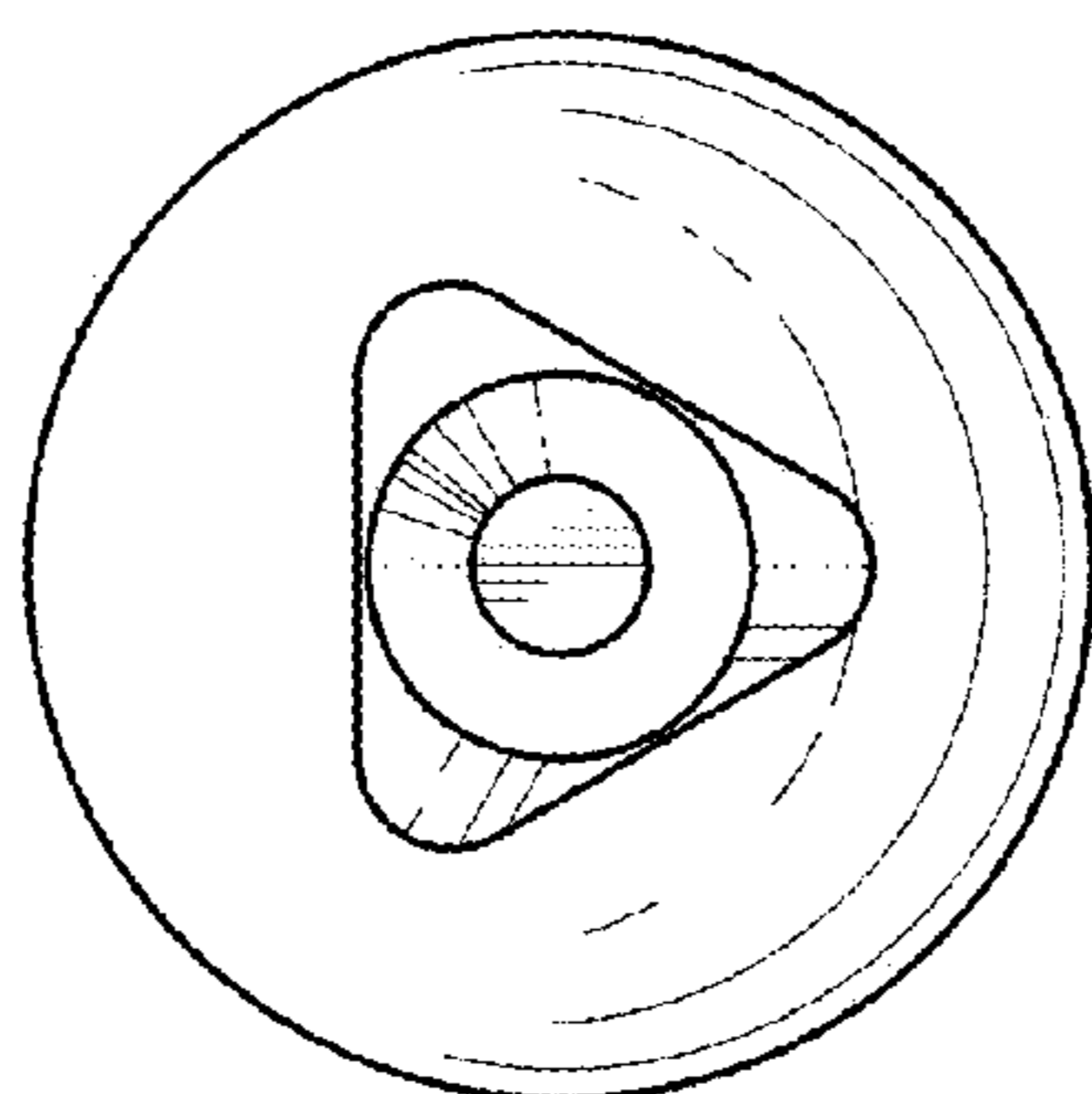


FIG. 6

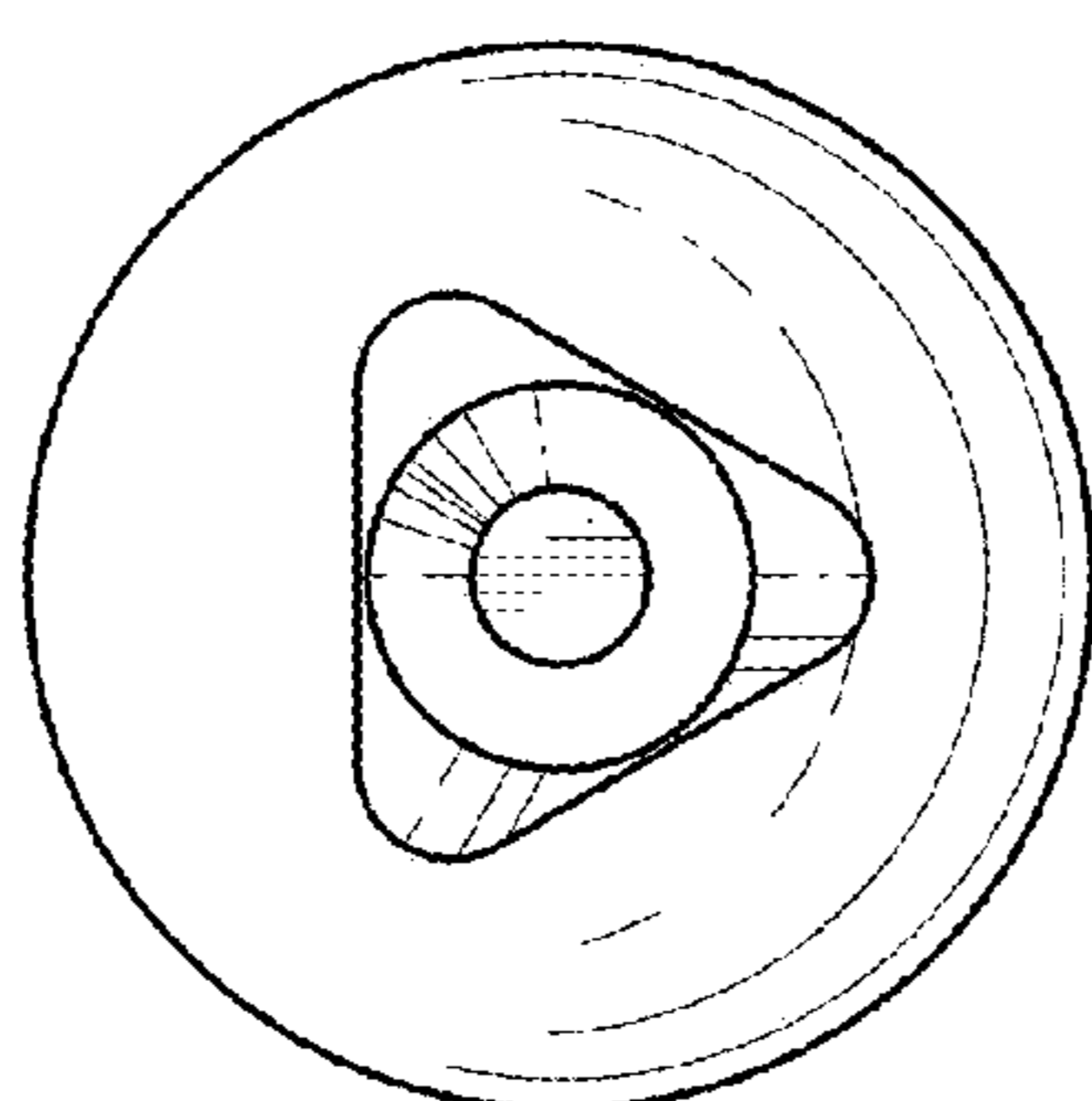
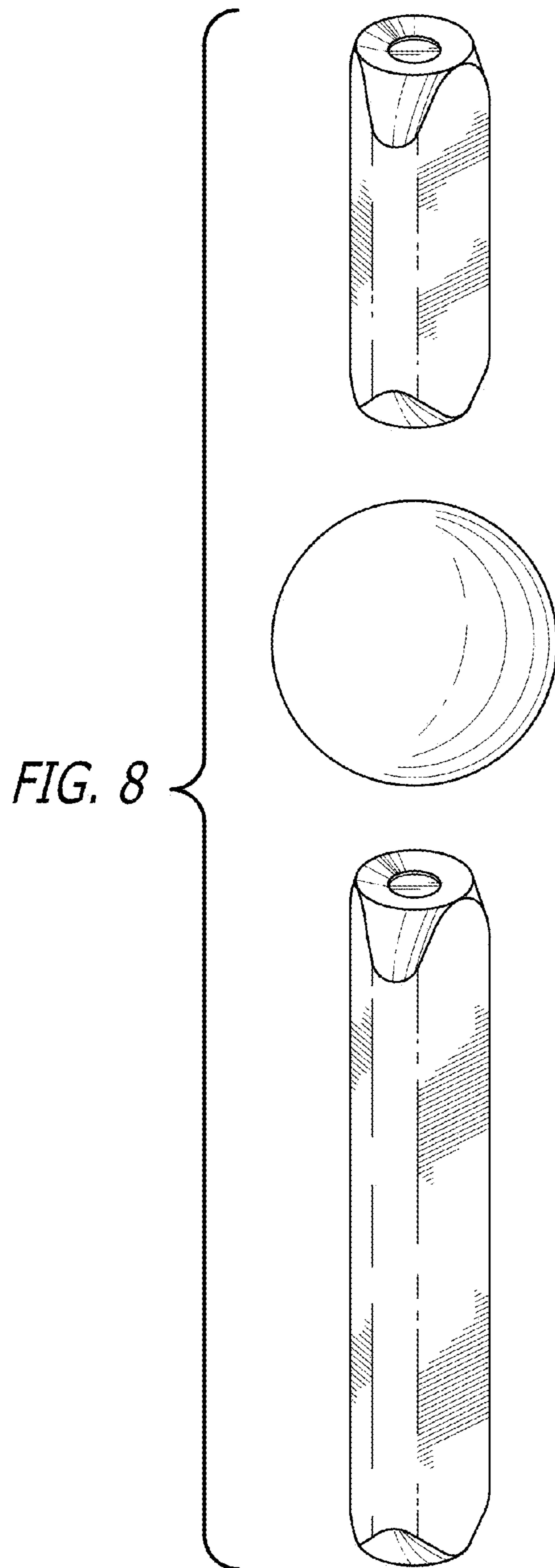


FIG. 7



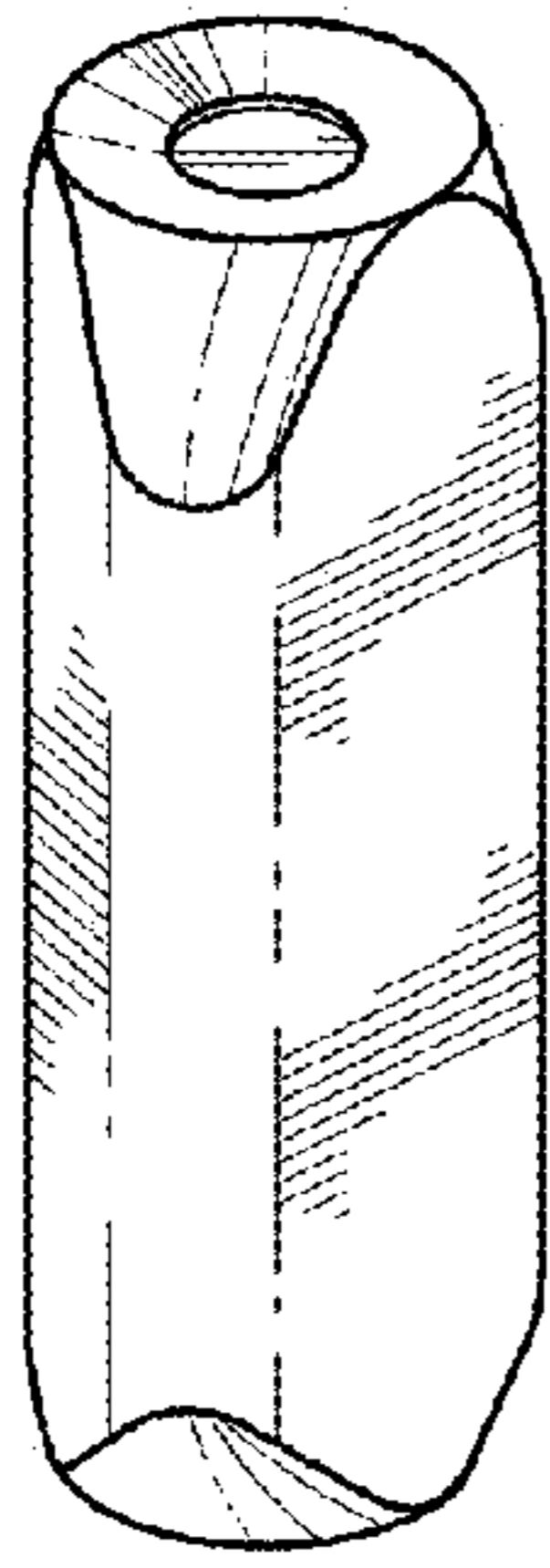


FIG. 9

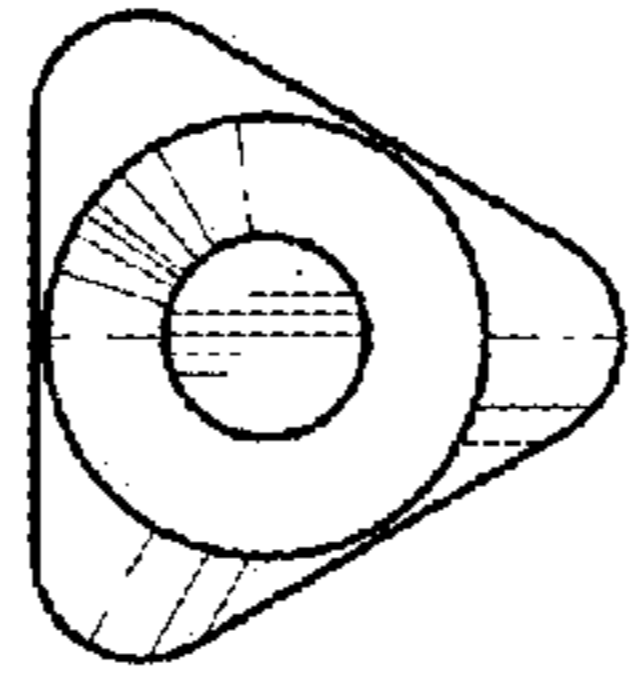


FIG. 10

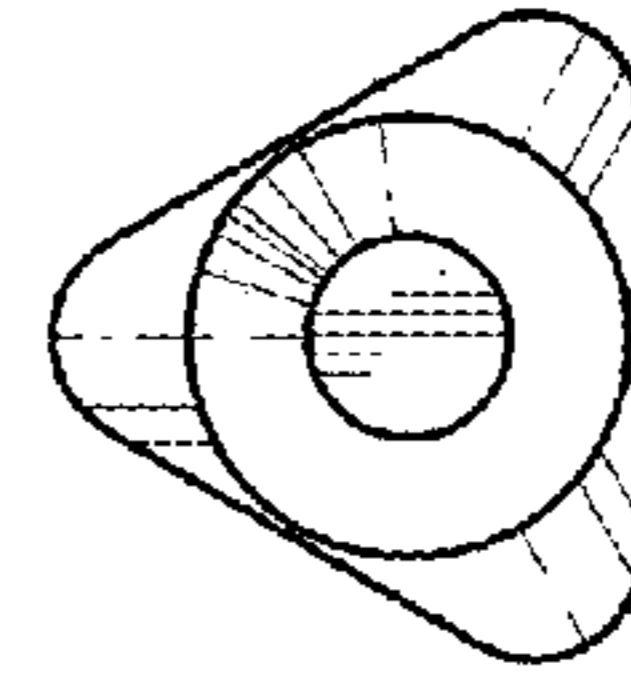


FIG. 11

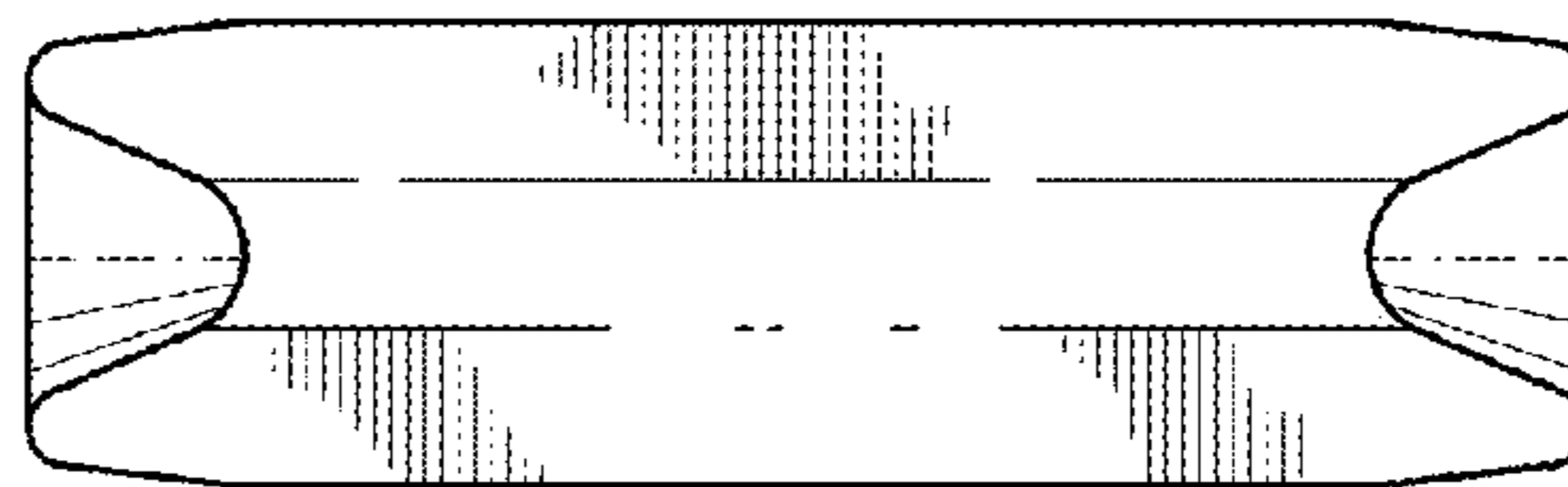


FIG. 12

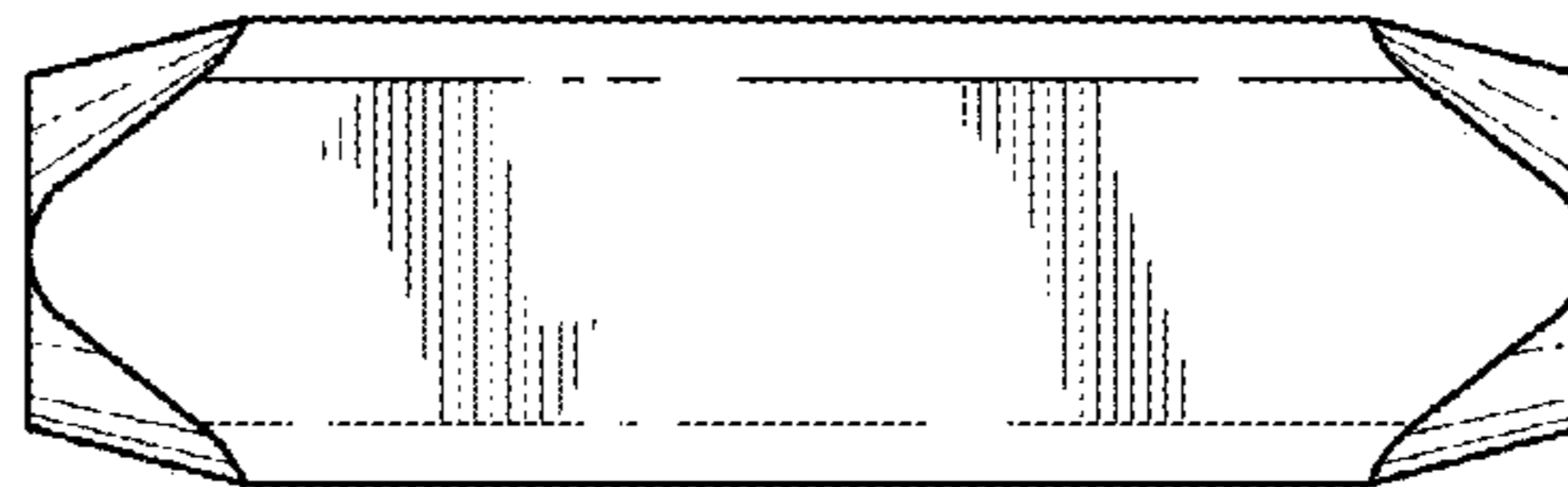


FIG. 13

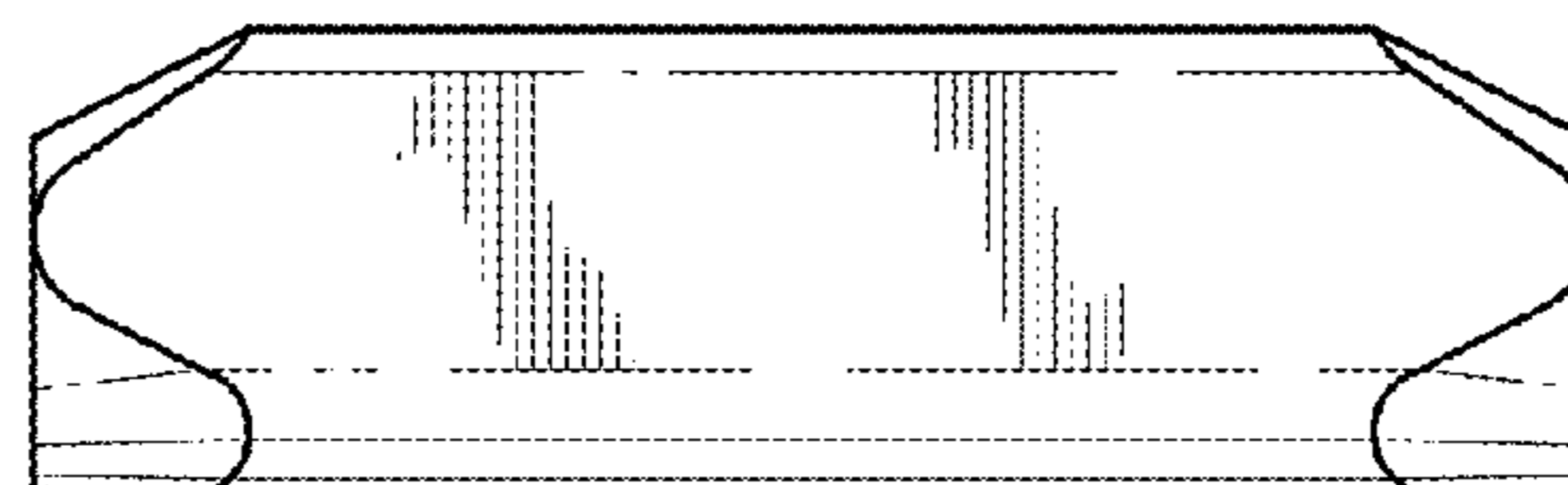


FIG. 14

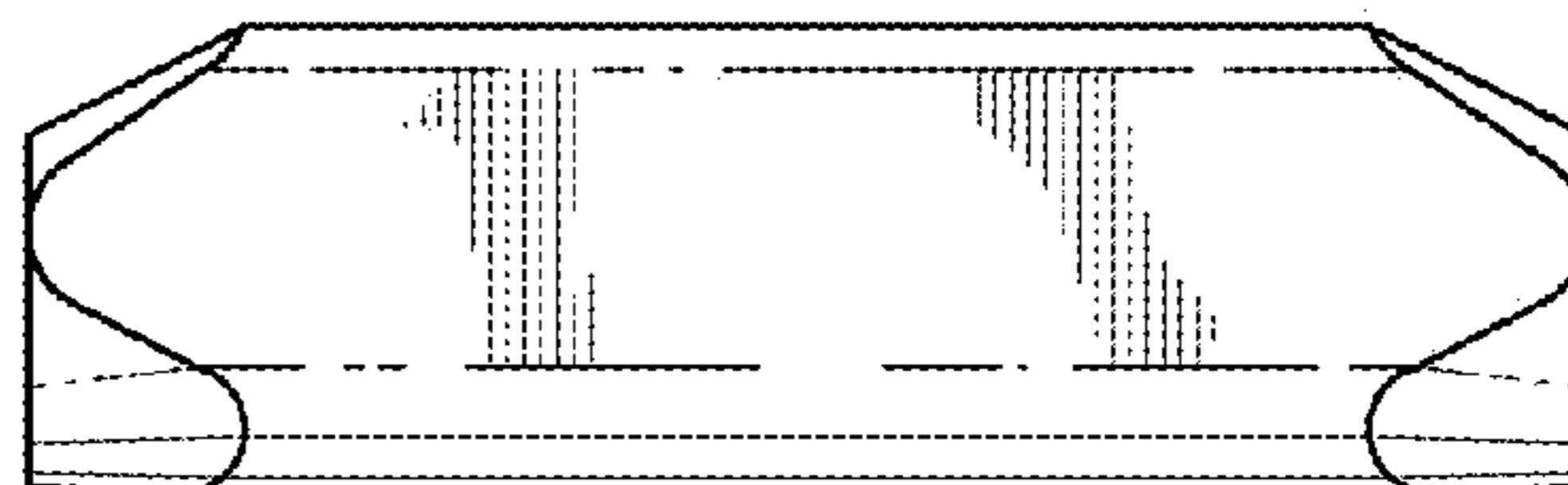


FIG. 15

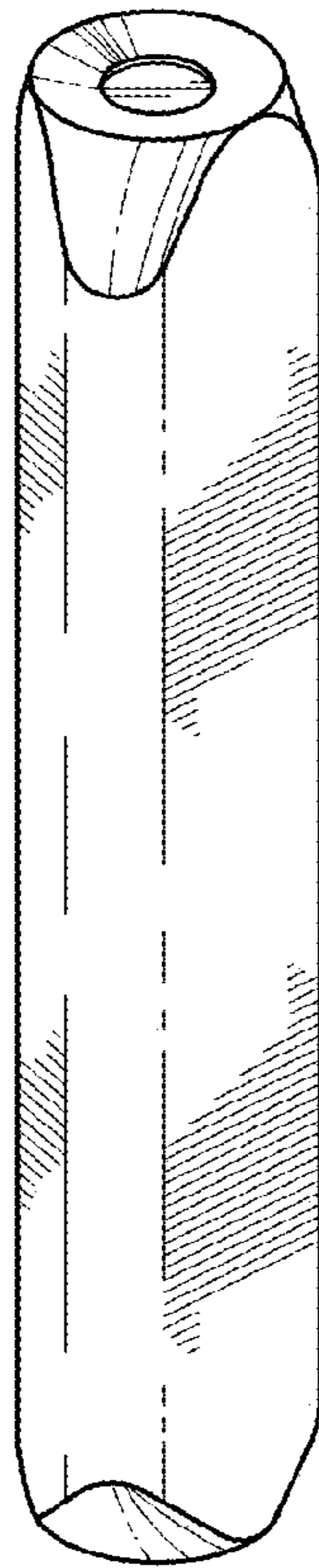


FIG. 16

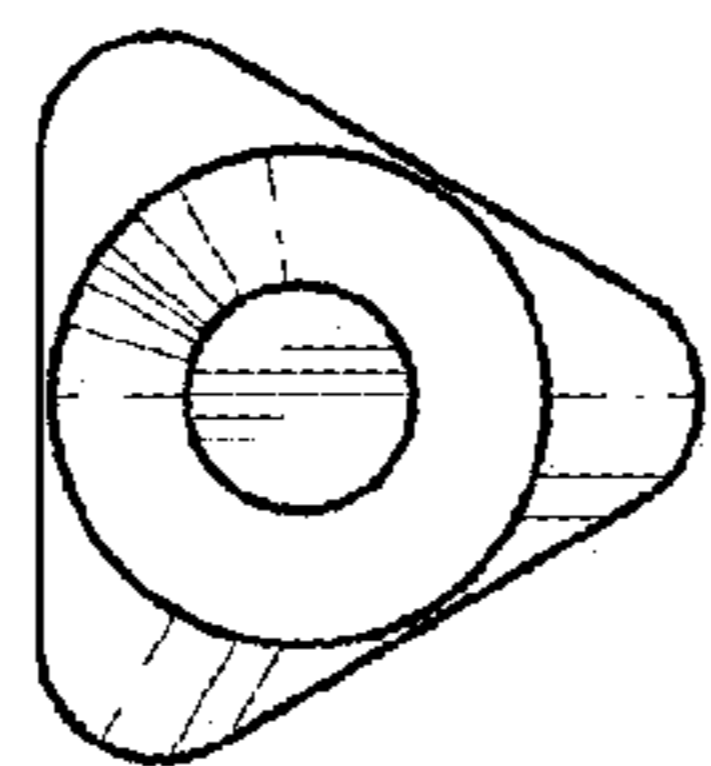


FIG. 17

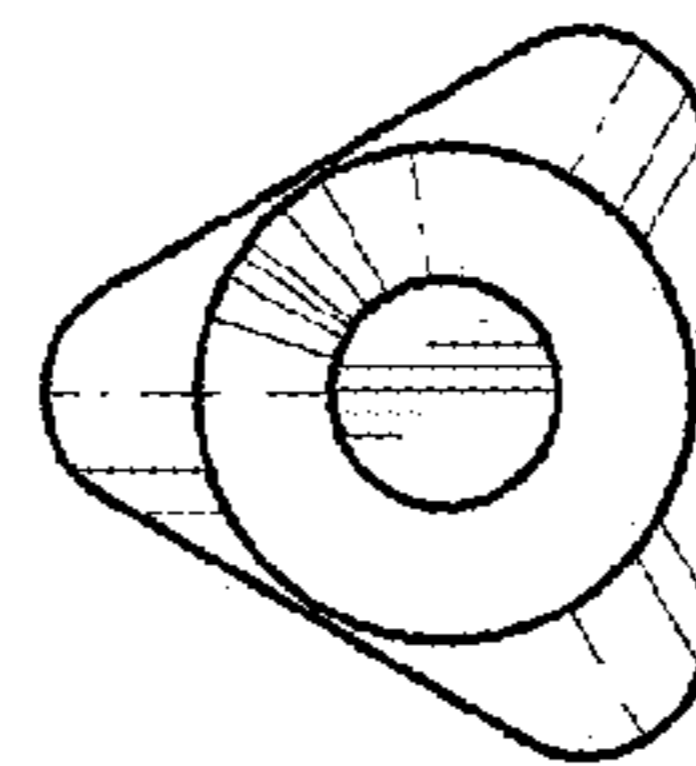


FIG. 18

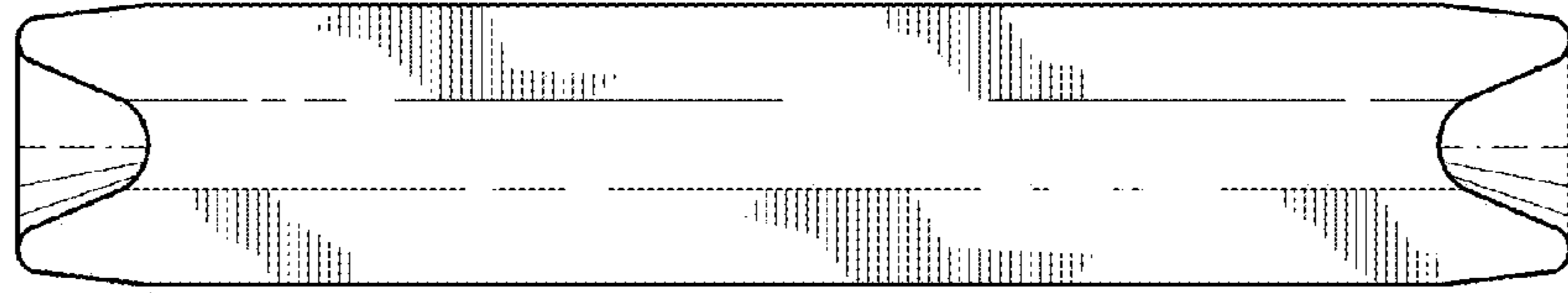


FIG. 19

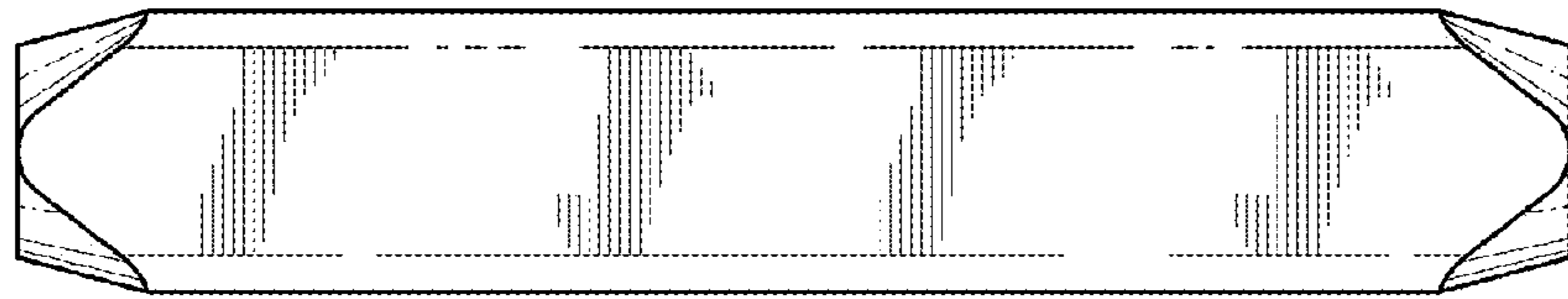


FIG. 20

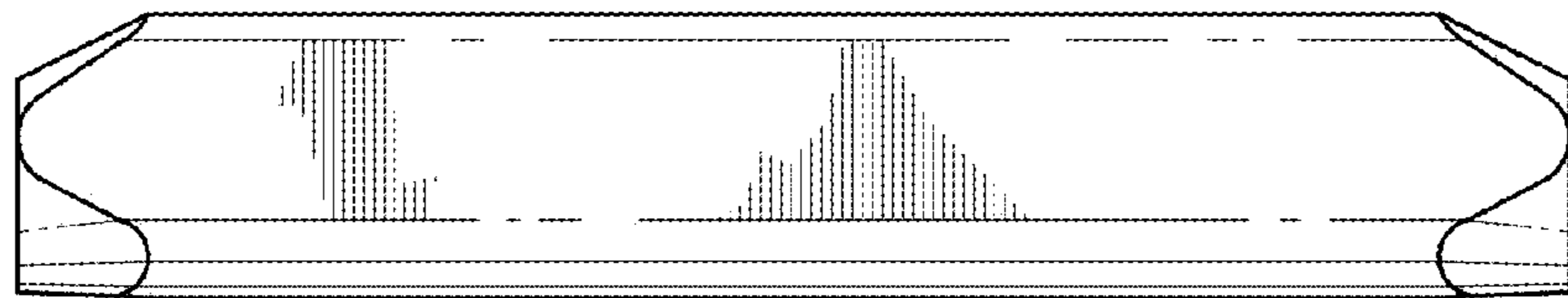


FIG. 21

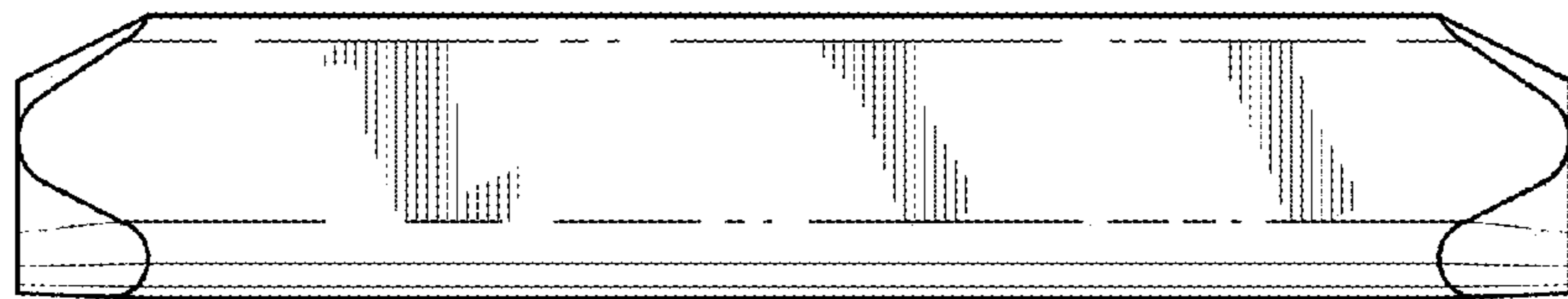


FIG. 22

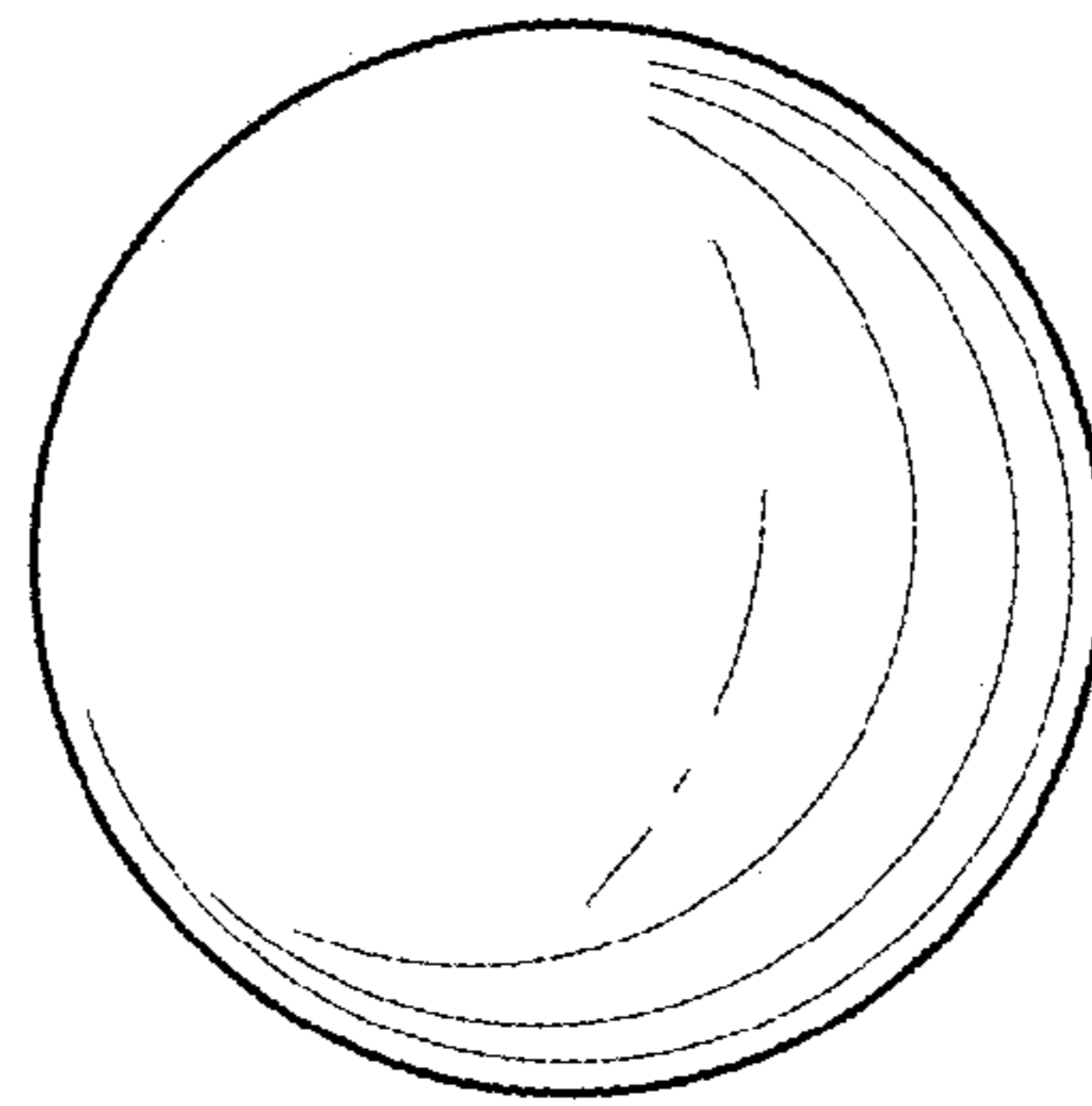


FIG. 23

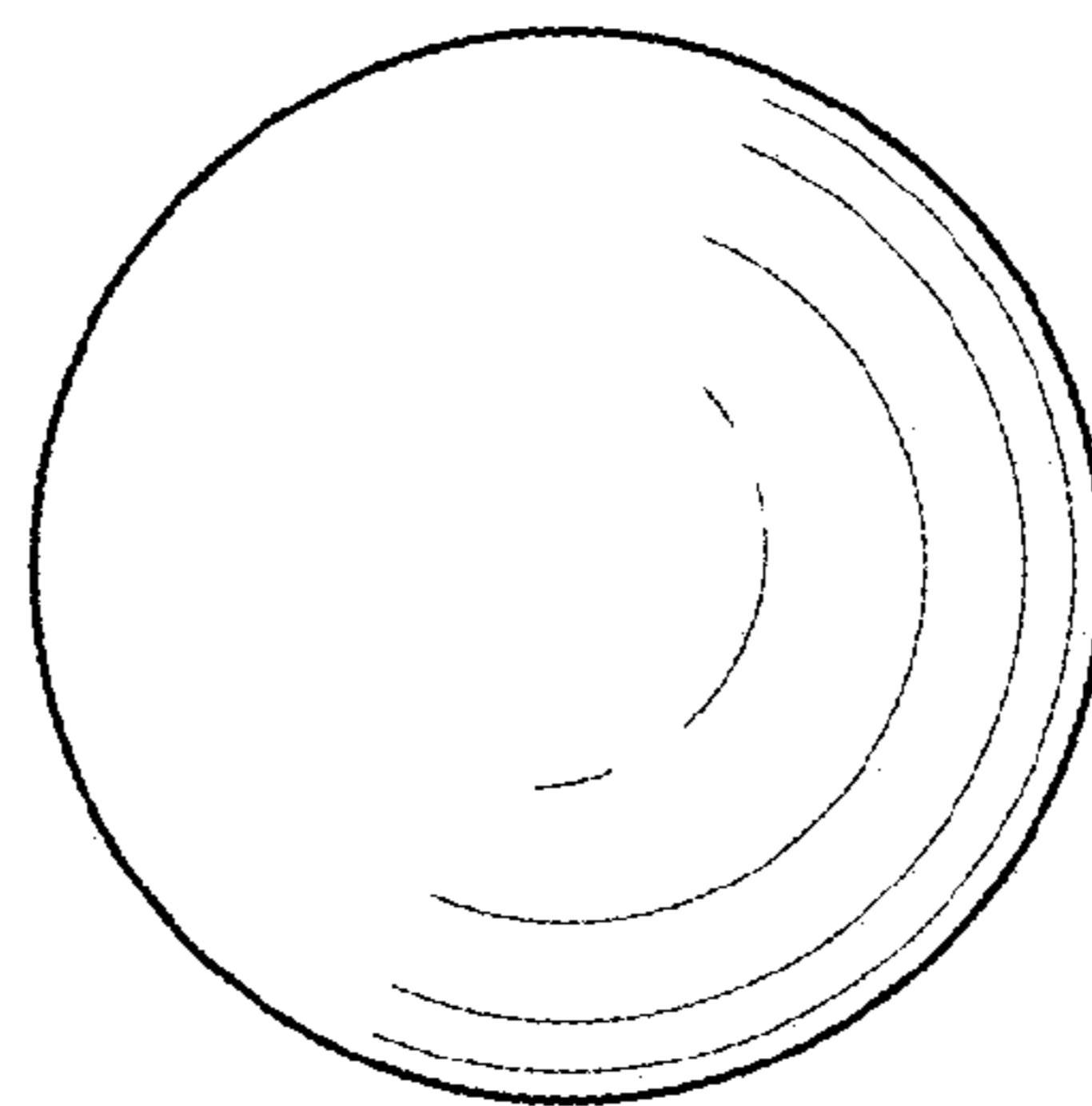


FIG. 24