

US00D760319S

(12) **United States Design Patent**
Saeten

(10) **Patent No.:** **US D760,319 S**
(45) **Date of Patent:** **** Jun. 28, 2016**

(54) **DISPLAY DEVICE**

(71) Applicant: **Anne Jorun Saeten**, Bergen (NO)

(72) Inventor: **Anne Jorun Saeten**, Bergen (NO)

(**) Term: **14 Years**

(21) Appl. No.: **29/509,381**

(22) Filed: **Nov. 17, 2014**

(51) **LOC (10) Cl.** **20-03**

(52) **U.S. Cl.**
USPC **D20/39**

(58) **Field of Classification Search**
USPC D20/10, 19, 39-43, 99; D10/109.1,
D10/109.2, 113.4; D19/114
CPC G09F 7/00; G09F 7/12; G09F 7/14;
G09F 7/16; G09F 2007/122; G09F 9/00;
G09F 9/33; G09F 13/00; G09F 13/04; G09F
13/06; G09F 13/18; G09F 13/22; G09F 13/24;
G09F 13/26; G09F 2013/1895; G09F 15/00;
G09F 15/0056; G09F 15/0062; G09F 17/00;
A47F 7/00; A47F 7/19

See application file for complete search history.

(56) **References Cited**

U.S. PATENT DOCUMENTS

3,146,892	A *	9/1964	White	A47F 7/24
					211/204
D234,231	S *	1/1975	Alfonso	D20/10
D271,218	S *	11/1983	Farmer	D20/10
D327,096	S *	6/1992	Hobbs	D20/10
D427,242	S *	6/2000	Pettesch	D20/10
D433,713	S *	11/2000	Olivetti	D20/10
6,240,666	B1	6/2001	Apel et al.		
6,370,803	B1 *	4/2002	Burquest	G09F 17/00
					40/607.04
D616,029	S *	5/2010	Maier-Hunke	D20/10
D627,394	S *	11/2010	Nakayama	D19/114
9,076,353	B1 *	7/2015	Delaney, Jr.	G09F 17/00

9,230,461	B2 *	1/2016	Saeten	G09F 15/0056
2007/0094907	A1	5/2007	Scarberry		
2010/0243854	A1	9/2010	Logue		

FOREIGN PATENT DOCUMENTS

CA	2284417	3/2001
EP	10006504	6/2000
FR	2598541	11/1987
FR	2871821	12/2005
WO	2013176552	11/2013

OTHER PUBLICATIONS

International Search Report and Written Opinion for PCT/NO2013/050090 dated Sep. 8, 2013.

* cited by examiner

Primary Examiner — Mary Ann Calabrese
(74) *Attorney, Agent, or Firm* — Andrus Intellectual Property Law, LLP

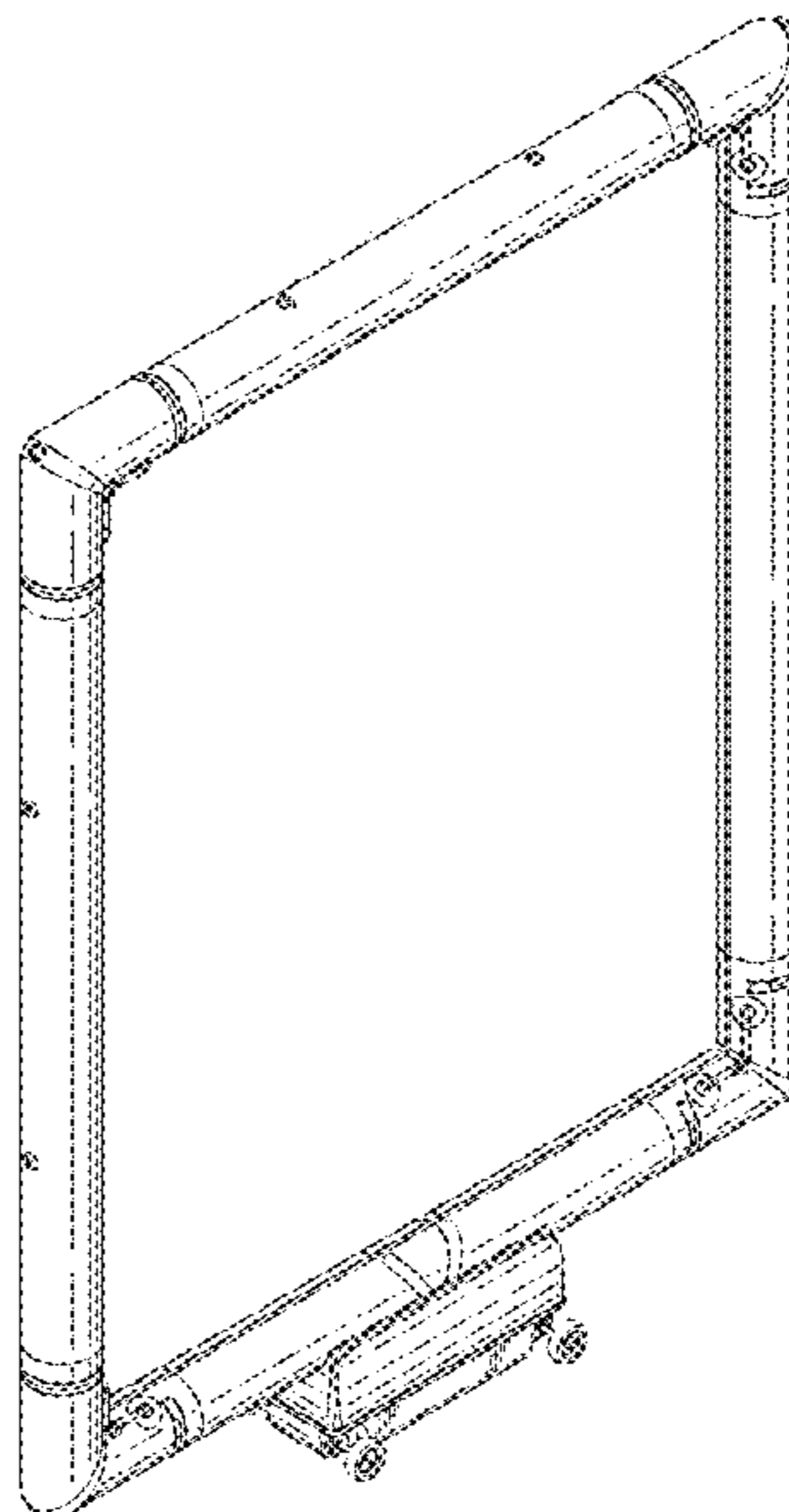
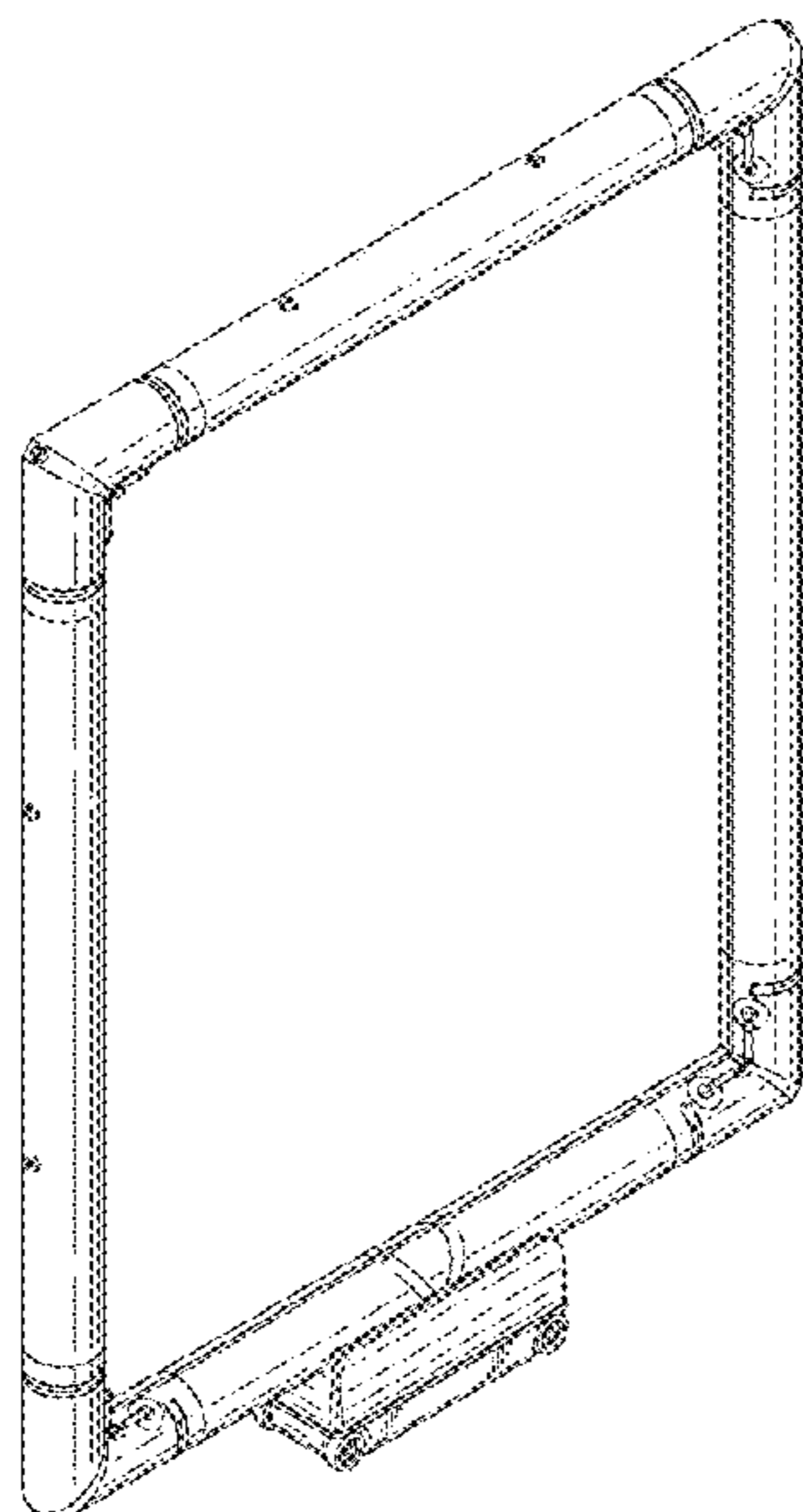
(57) **CLAIM**

The ornamental design for a display device, as shown and described.

DESCRIPTION

FIG. 1 is a perspective view of a display device;
FIG. 2 is a front view of the display device;
FIG. 3 is a rear view of the display device;
FIG. 4 is an enlarged side view of the display device;
FIG. 5 is an enlarged side view of the display device;
FIG. 6 is an enlarged top view of the display device;
FIG. 7 is an enlarged bottom view of the display device;
FIG. 8 is perspective view of the display device, shown in an alternate position; and,
FIG. 9 is an opposite view of the display device, shown in the alternate position.

1 Claim, 7 Drawing Sheets



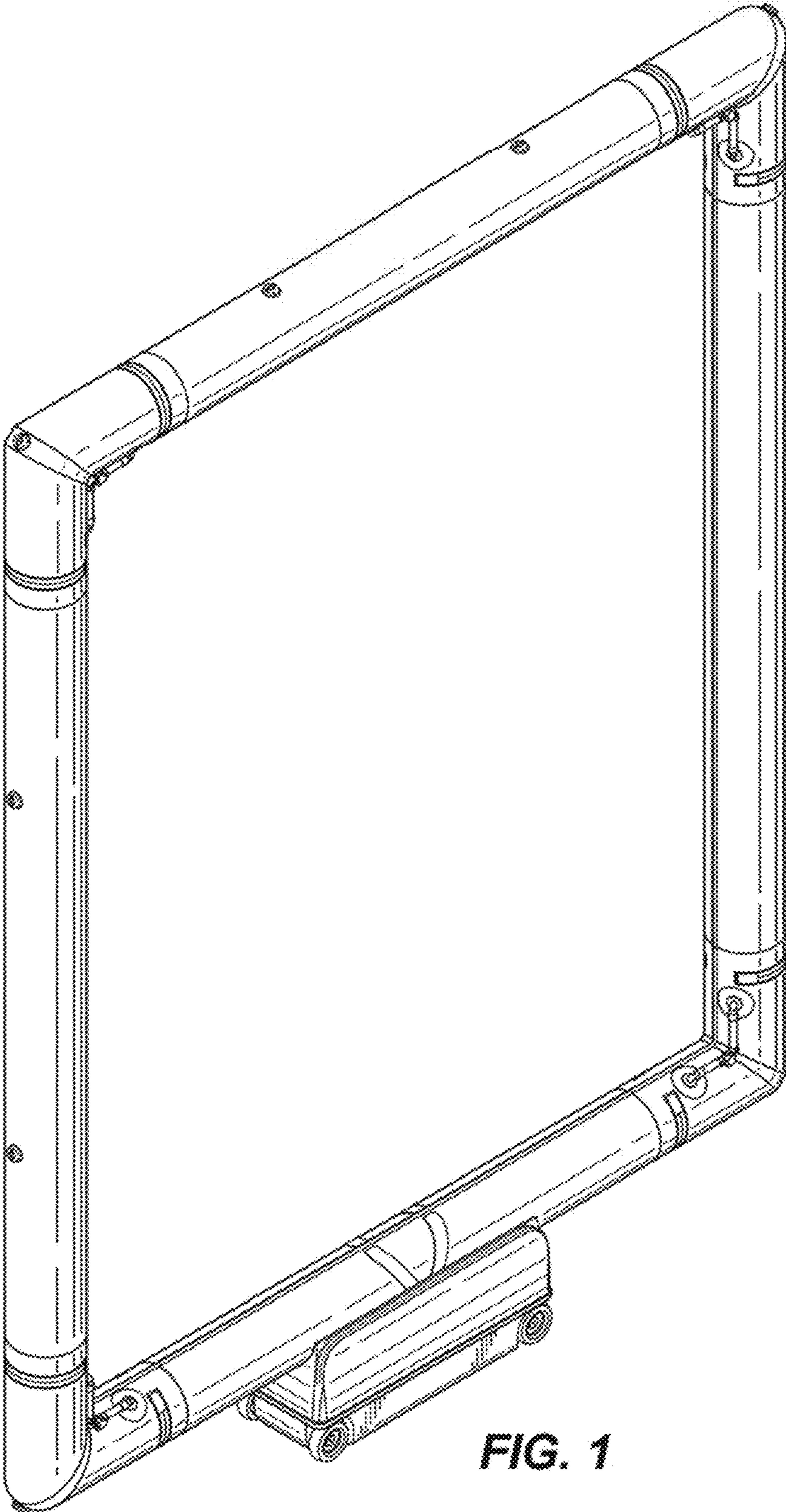


FIG. 1

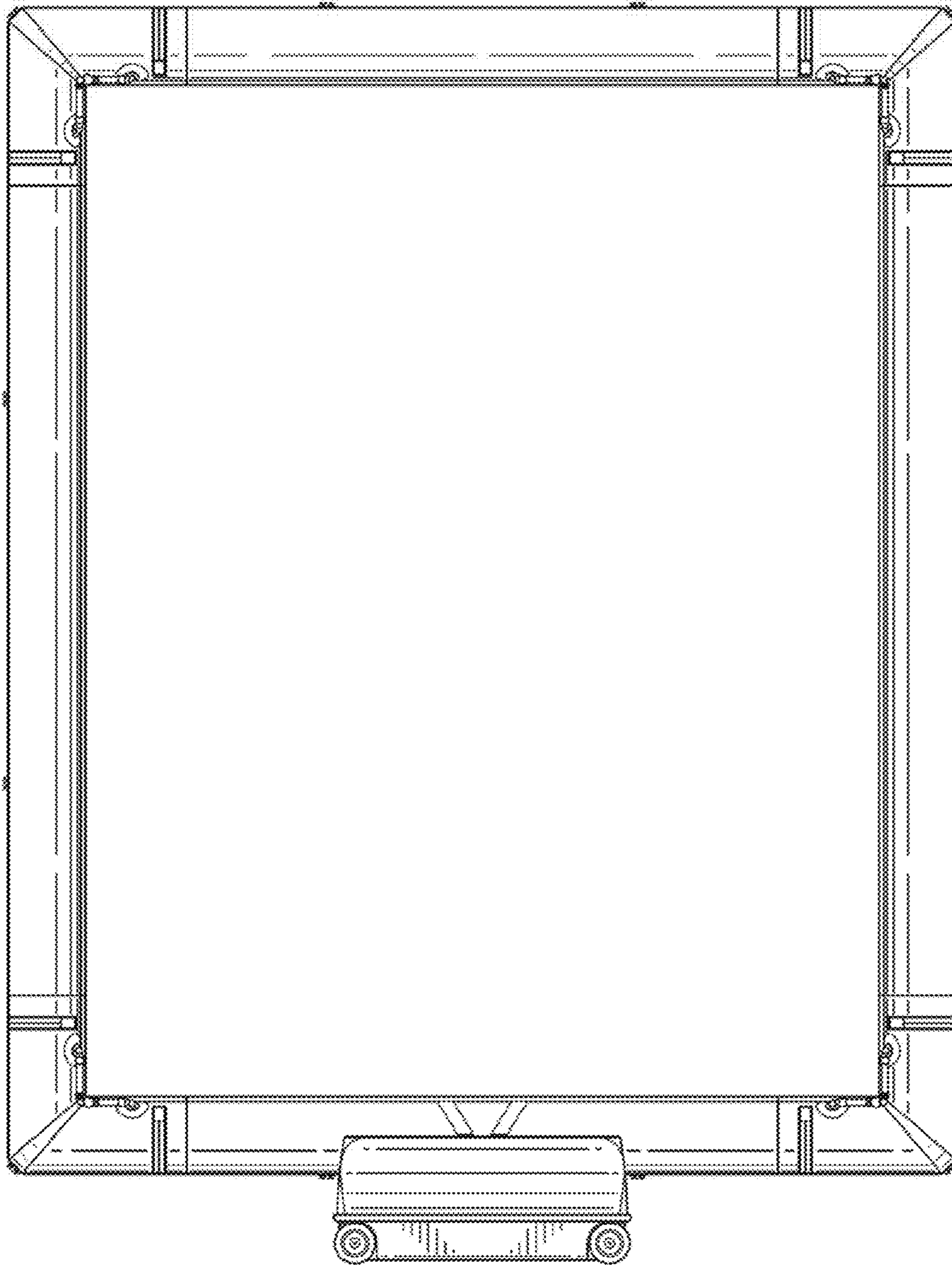


FIG. 2

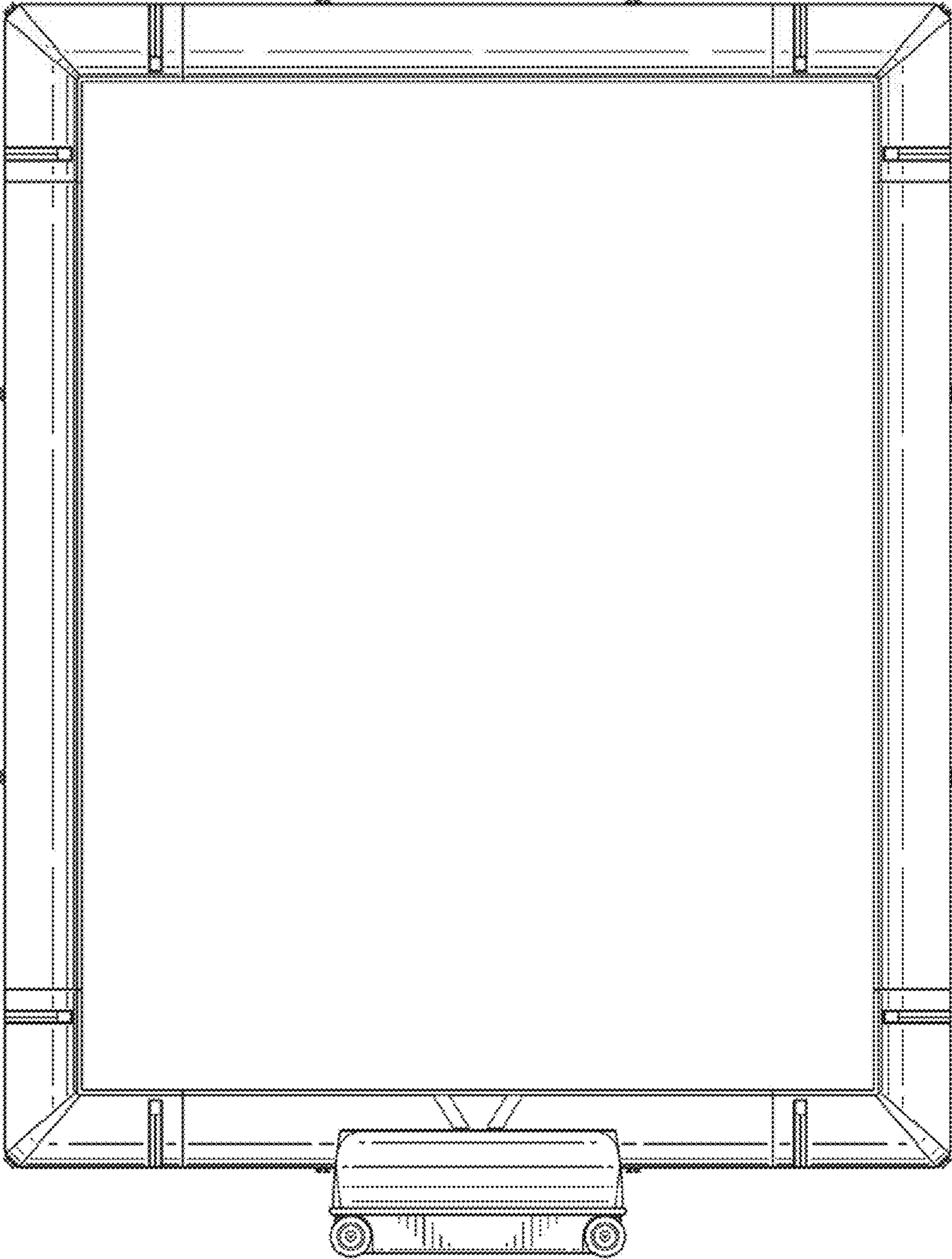


FIG. 3

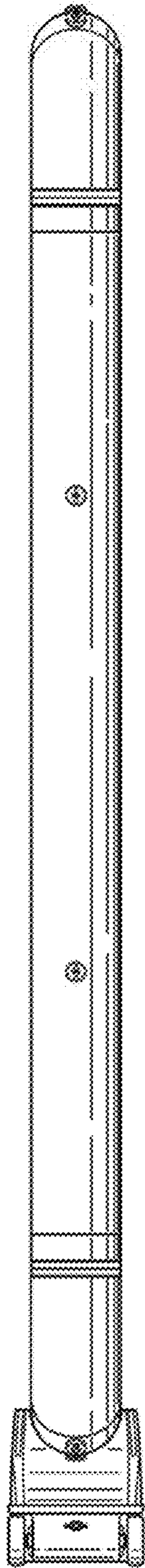


FIG. 4

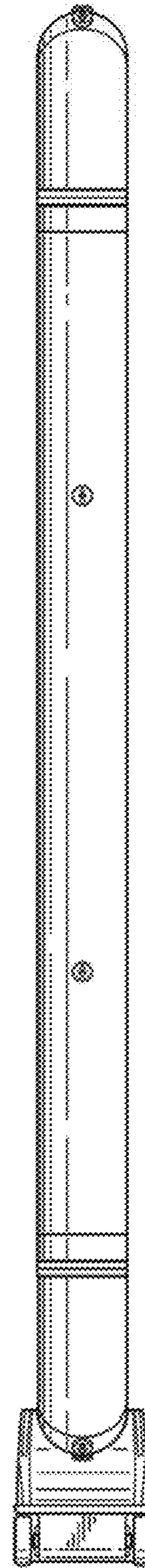


FIG. 5

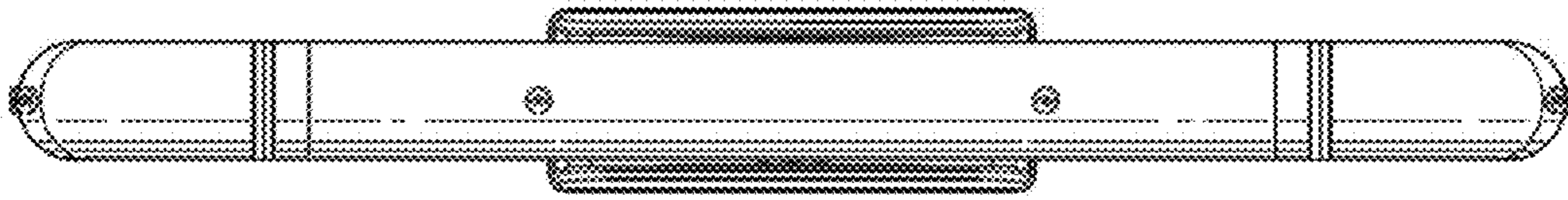


FIG. 6

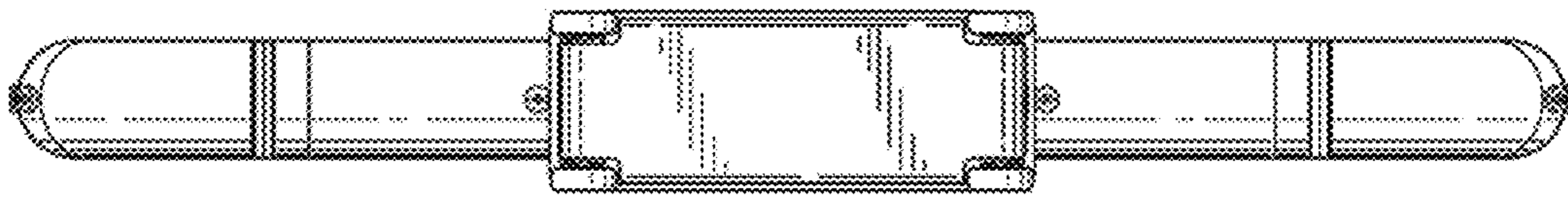


FIG. 7

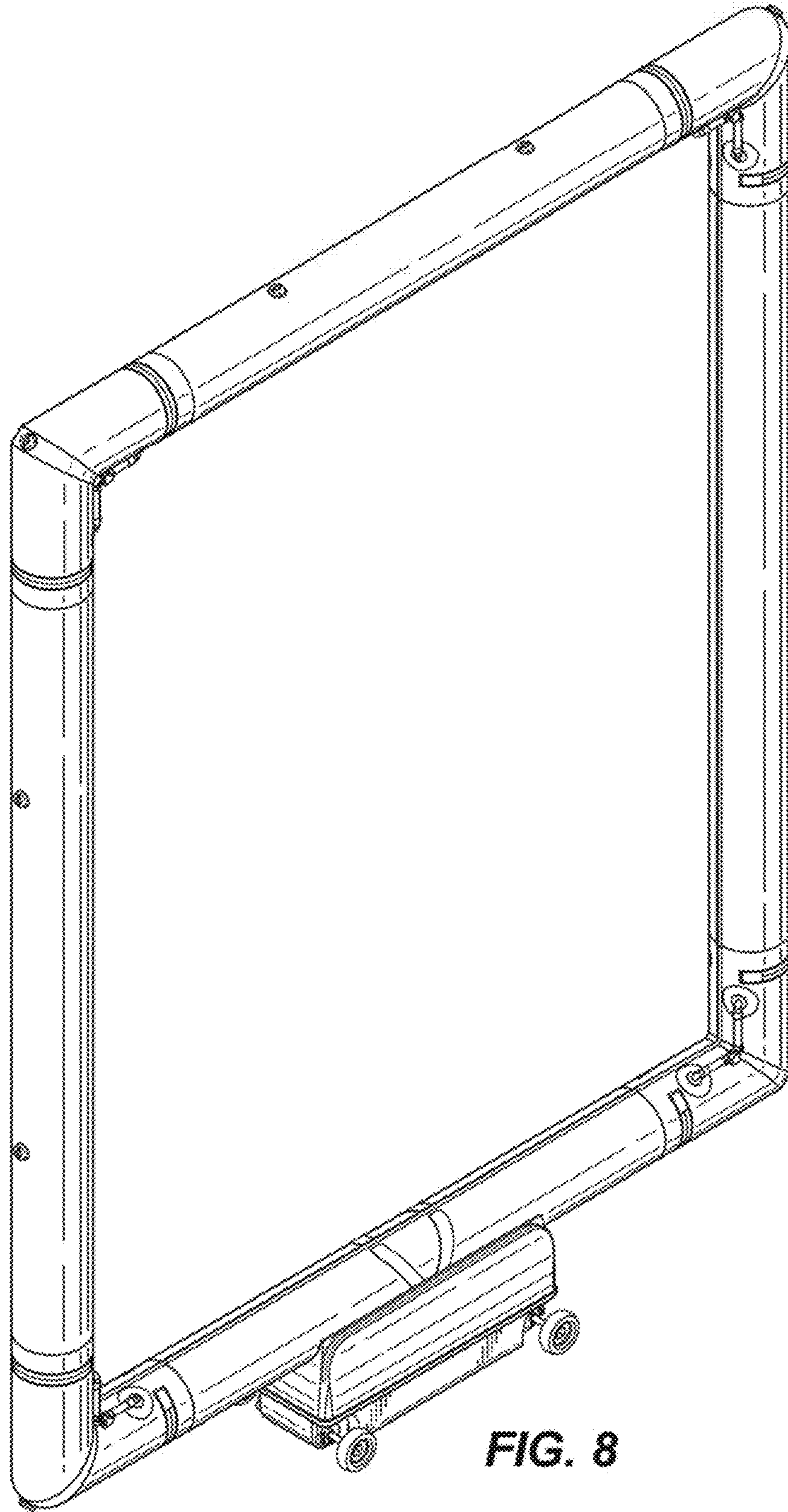


FIG. 8

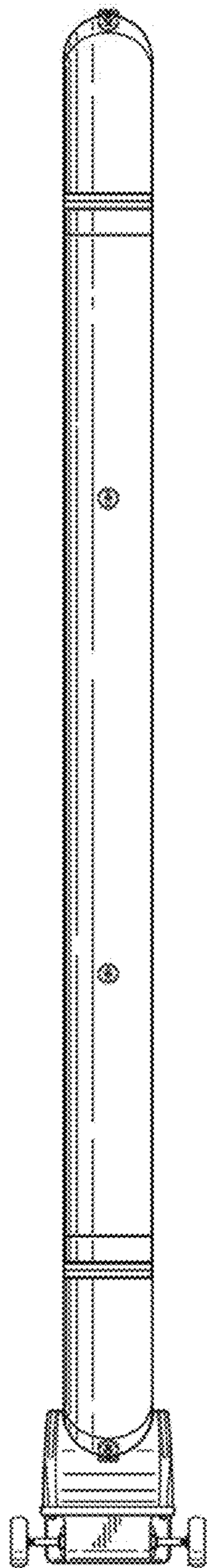


FIG. 9