



US00D760316S

(12) **United States Design Patent**
Kim et al.

(10) **Patent No.:** **US D760,316 S**
(45) **Date of Patent:** **** Jun. 28, 2016**

(54) **PRINTER**

(71) Applicant: **Samsung Electronics Co., Ltd.**,
Suwon-si (KR)

(72) Inventors: **Minchul Kim**, Buchunsi (KR);
Seungwook Jeong, Seoul (KR)

(73) Assignee: **Samsung Electronics Co., Ltd.**,
Suwon-si (KR)

(**) Term: **14 Years**

(21) Appl. No.: **29/485,346**

(22) Filed: **Mar. 18, 2014**

(30) **Foreign Application Priority Data**

Sep. 26, 2013 (KR) 30-2013-0049103

(51) **LOC (10) Cl.** **14-02**

(52) **U.S. Cl.**
USPC **D18/50**

(58) **Field of Classification Search**
USPC D18/50, 53.54, 54.1, 55; D14/420-425,
D14/462, 470; 400/613, 613.1-613.4,
400/690.1-690.4, 691-694
See application file for complete search history.

(56) **References Cited**

U.S. PATENT DOCUMENTS

D181,794 S * 12/1957 Hohmann D18/54
D240,080 S * 5/1976 Brown D18/36
D263,397 S * 3/1982 Vierling et al. D18/54
D318,066 S * 7/1991 Moro D18/54

D374,685 S * 10/1996 Tsuruoka D18/54
D384,969 S * 10/1997 Inoue et al. D18/54
D387,337 S * 12/1997 Sween et al. D14/420
D394,452 S * 5/1998 Iwamoto et al. D18/54
6,367,996 B1 * 4/2002 Edwards 400/582
D477,019 S * 7/2003 Dwyer et al. D18/55
D489,755 S * 5/2004 Wong et al. D18/55
D542,292 S * 5/2007 Kitamura et al. D14/422
D633,557 S * 3/2011 Egami et al. D18/55
D650,387 S * 12/2011 Iwatsu et al. D14/422
D689,865 S * 9/2013 Kitamura et al. D14/422
D719,168 S * 12/2014 Tani D14/422

* cited by examiner

Primary Examiner — Cathy Anne MacCormac
(74) *Attorney, Agent, or Firm* — NSIP Law

(57) **CLAIM**

We claim the ornamental design for a printer, as shown and described.

DESCRIPTION

FIG. 1 is a front perspective view of a printer showing our new design;
FIG. 2 is a front view thereof;
FIG. 3 is a rear view thereof;
FIG. 4 is a left-side view thereof;
FIG. 5 is a right-side view thereof;
FIG. 6 is a top view thereof;
FIG. 7 is a bottom view thereof; and,
FIG. 8 is another front perspective view thereof, showing the printer in an alternate position.
The broken lines illustrating portions of the printer depict environmental subject matter only and form no part of the claimed design.

1 Claim, 8 Drawing Sheets

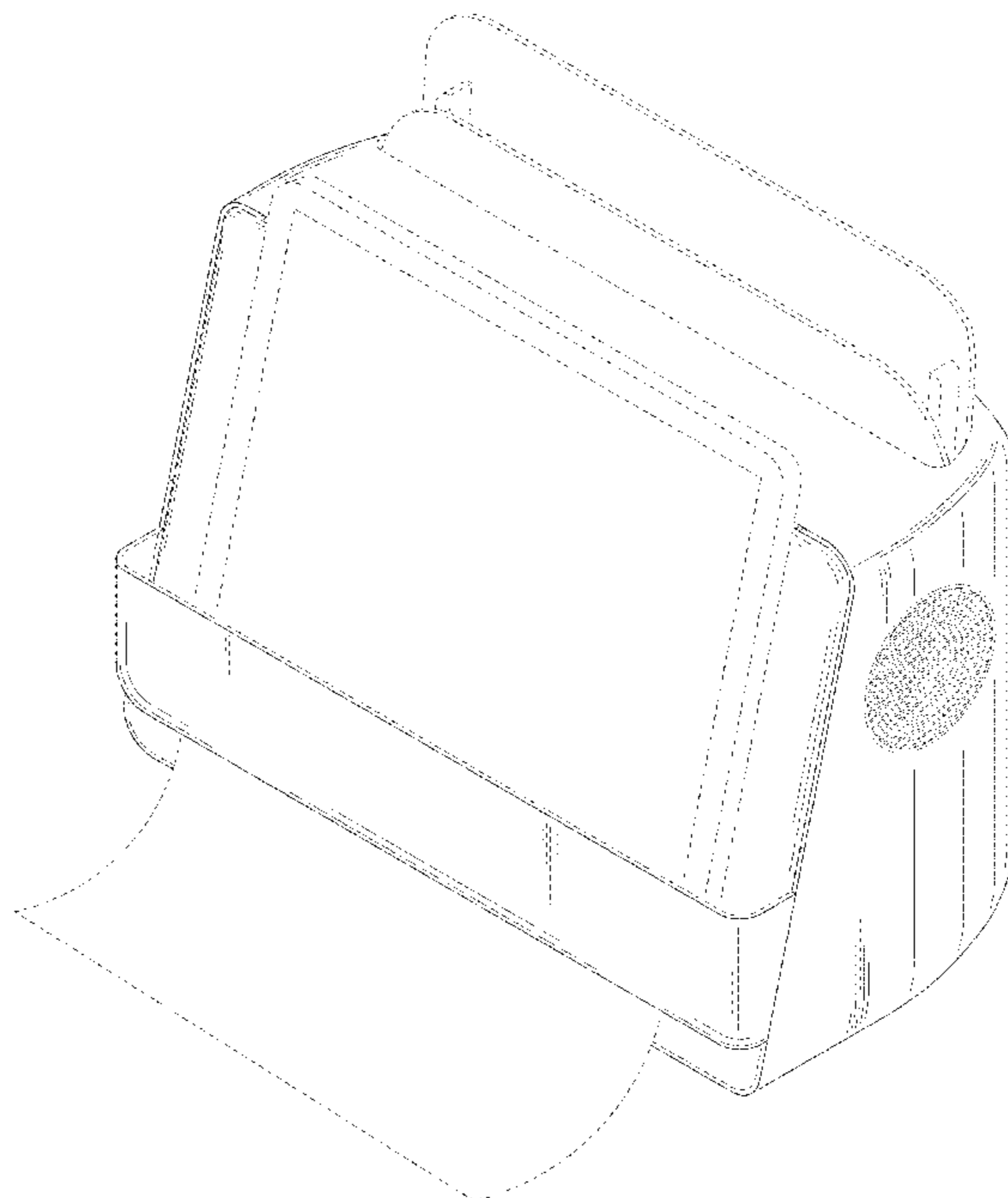
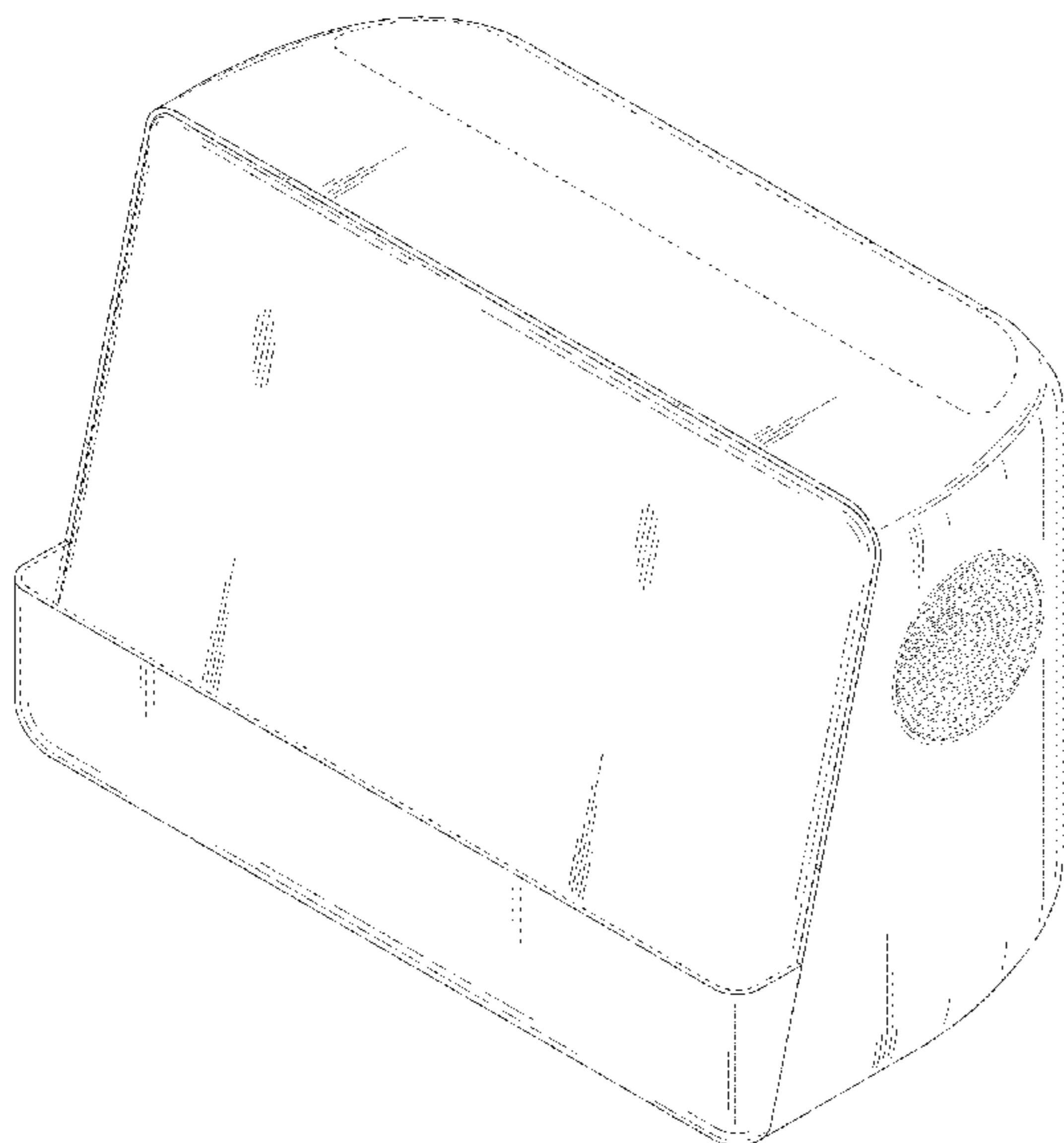


FIG. 1

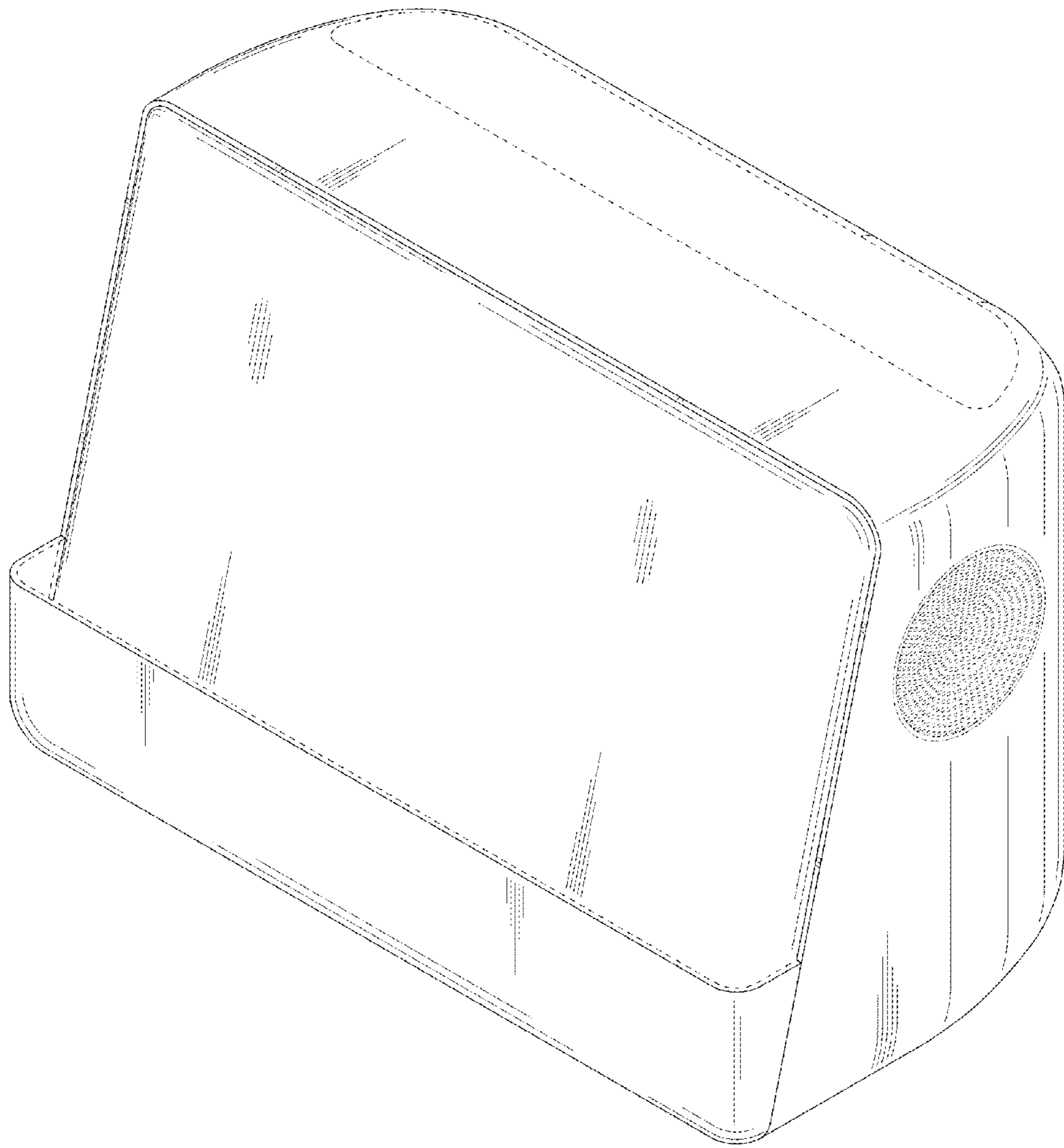


FIG. 2

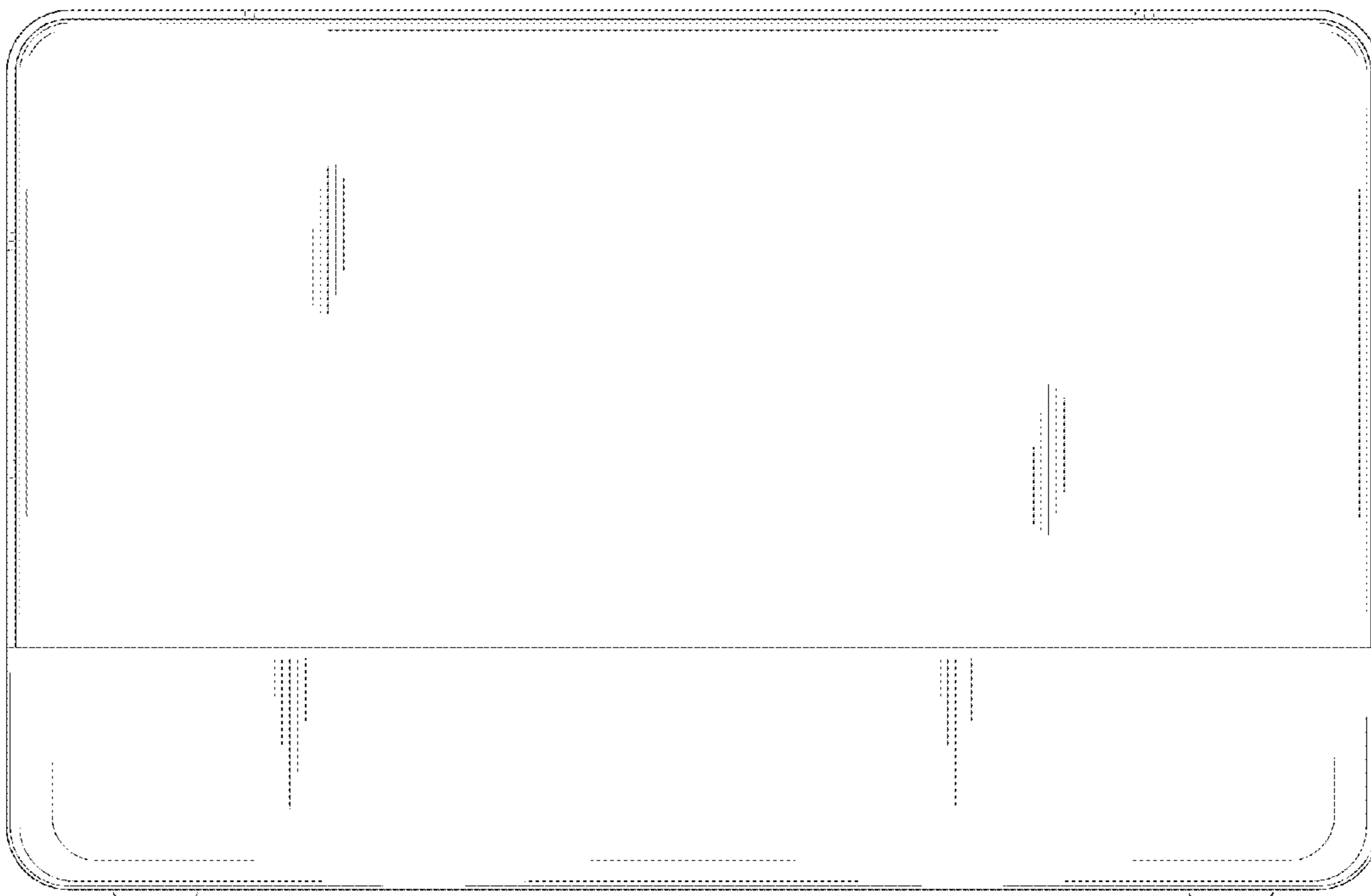


FIG. 3

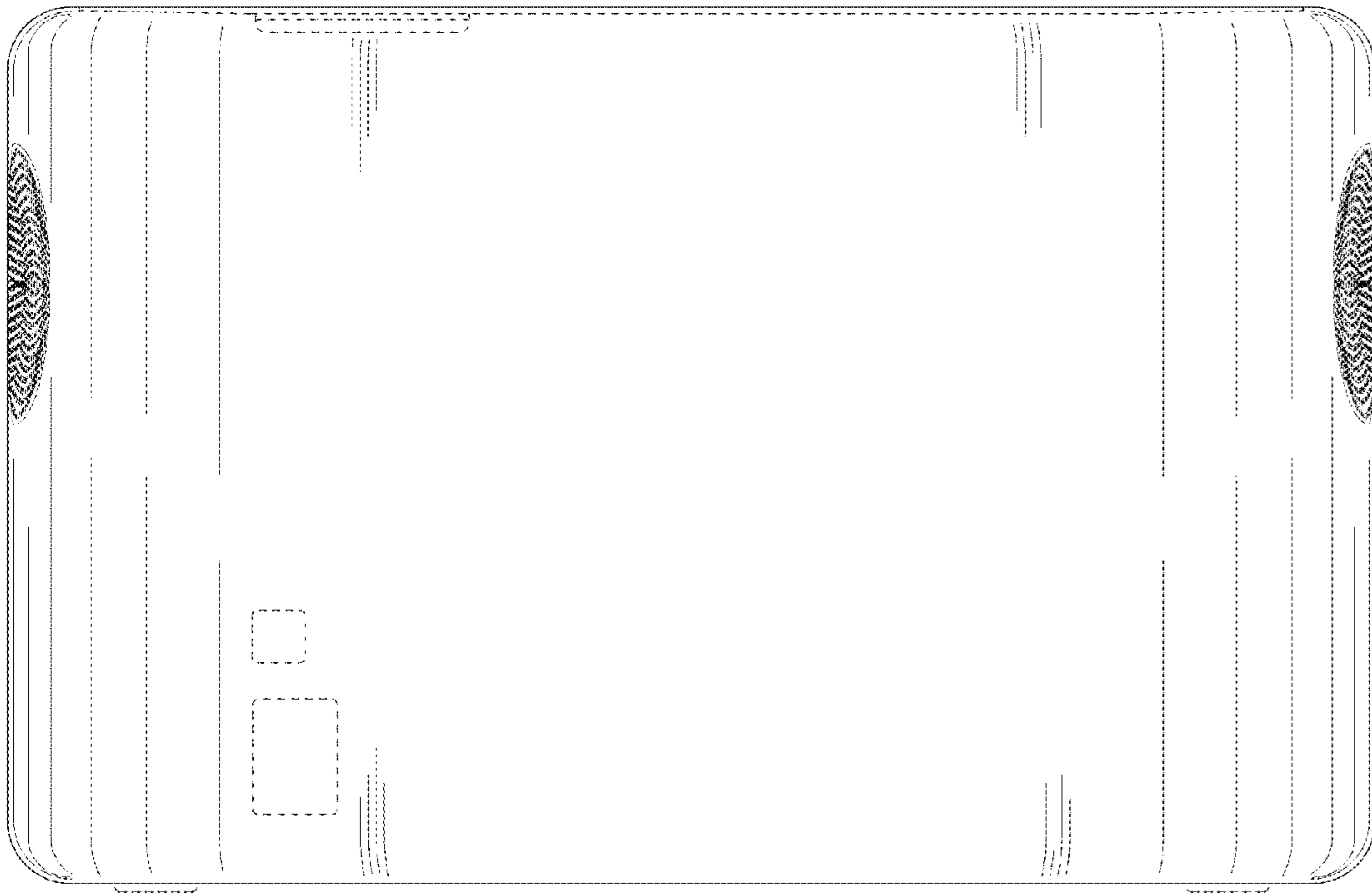


FIG. 4

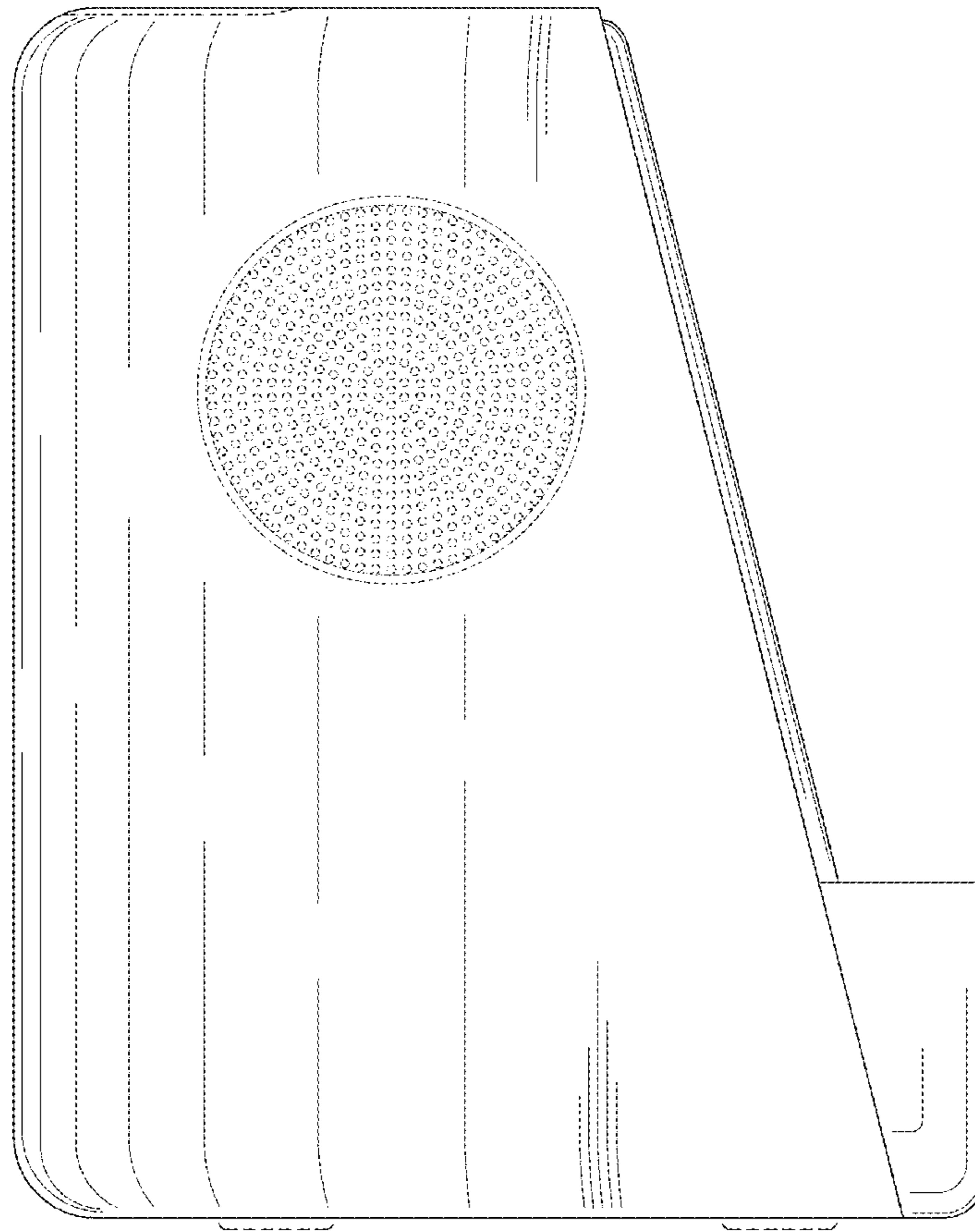


FIG. 5

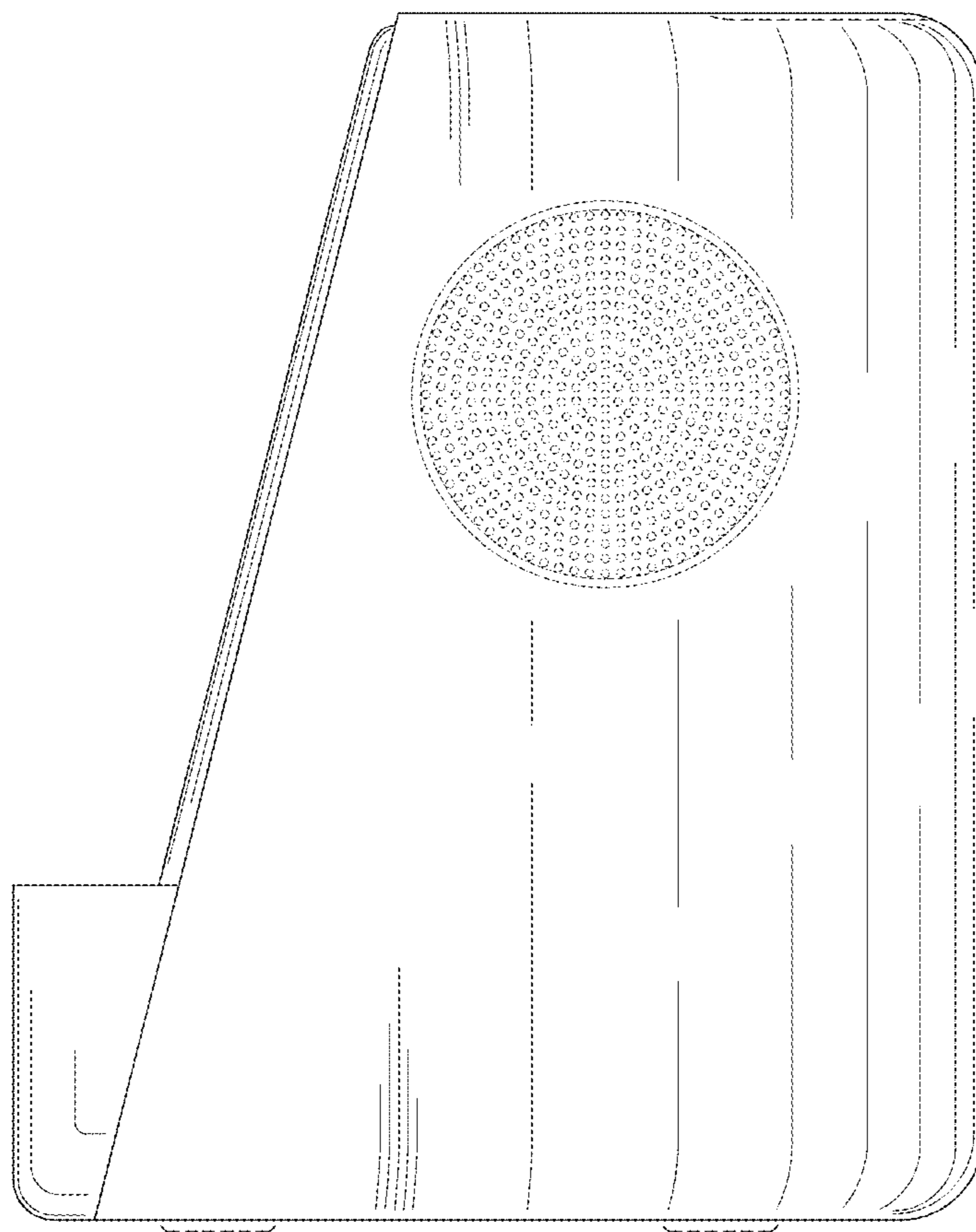


FIG. 6

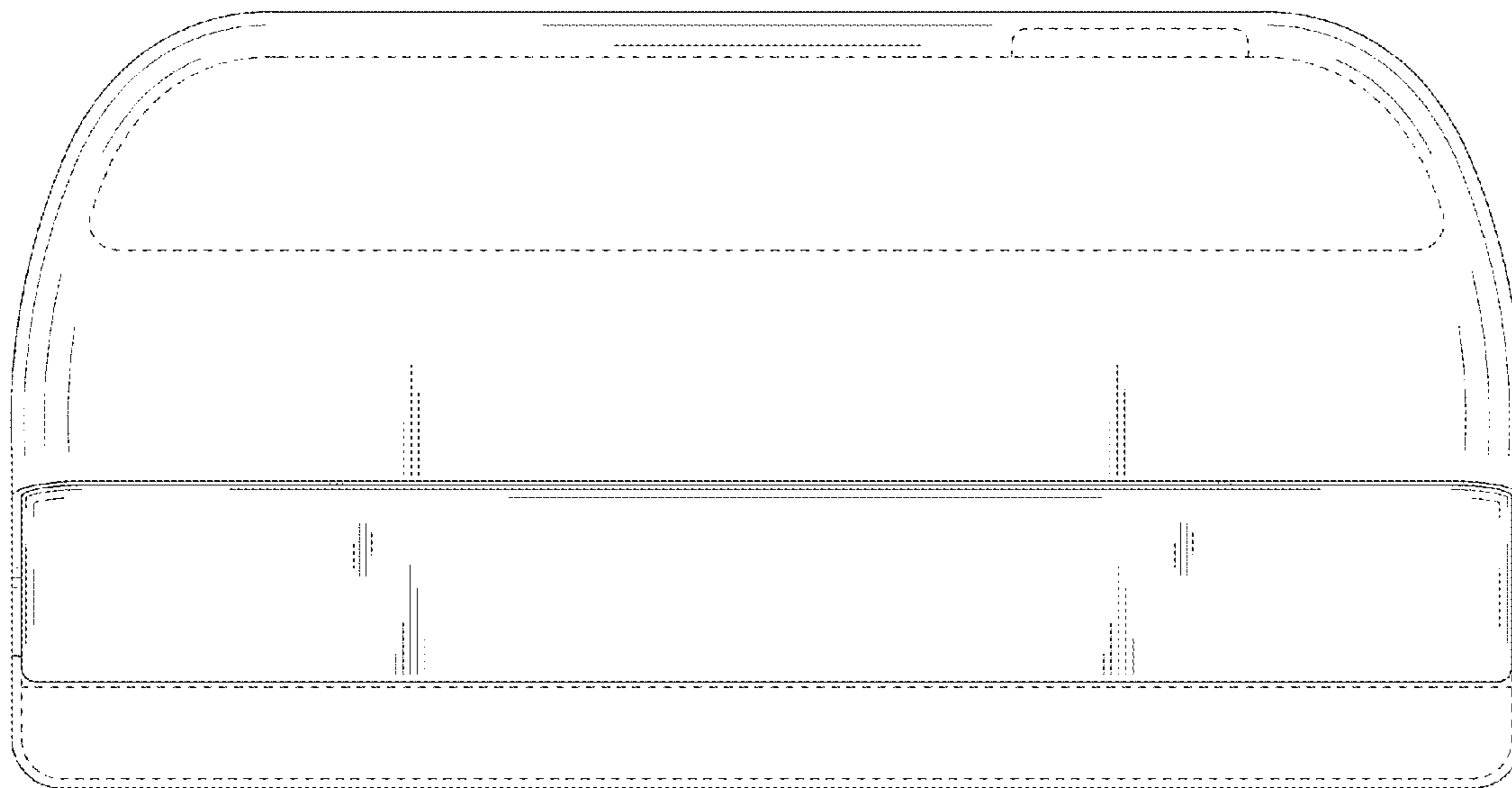


FIG. 7

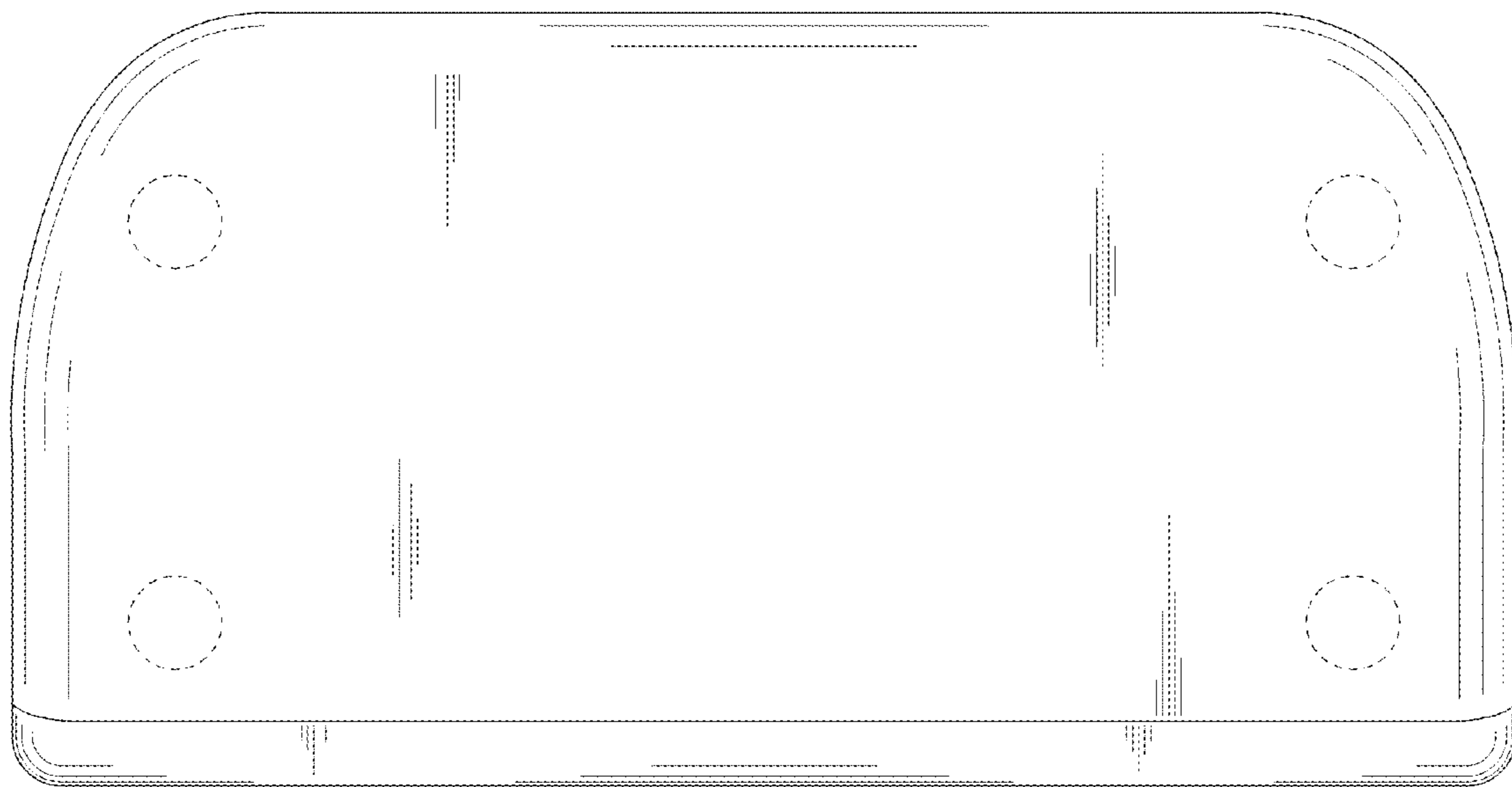


FIG. 8

