



US00D760312S

(12) **United States Design Patent**  
**Lee et al.**

(10) **Patent No.:** **US D760,312 S**  
(45) **Date of Patent:** **\*\* Jun. 28, 2016**

(54) **CAMERA**

(71) Applicant: **GoPro, Inc.**, San Mateo, CA (US)

(72) Inventors: **Seungheon Lee**, Cupertino, CA (US);  
**Richard Gioscia**, Santa Clara, CA (US);  
**Joshua P. Davies**, Fremont, CA (US);  
**Evan L. Coons**, San Mateo, CA (US)

(73) Assignee: **GoPro, Inc.**, San Mateo, CA (US)

(\*\*) Term: **15 Years**

(21) Appl. No.: **29/544,451**

(22) Filed: **Nov. 3, 2015**

**Related U.S. Application Data**

(63) Continuation of application No. 29/500,164, filed on Aug. 21, 2014, now Pat. No. Des. 745,589.

(51) **LOC (10) Cl.** ..... **16-01**

(52) **U.S. Cl.**  
USPC ..... **D16/218**

(58) **Field of Classification Search**  
USPC ..... D9/414, 418, 427, 430, 432; D6/517,  
D6/524, 527, 528, 531, 535, 559;  
D14/172, 194, 204, 221; D16/200,  
D16/202-206, 208, 218, 219; 348/148,  
348/372-376; 396/529, 535, 539-541  
CPC ..... G03B 15/03; G03B 17/02; G03B 17/04;  
G03B 17/56; G03B 19/04; H04N 5/2251;  
H04N 5/2252; H04N 5/2253; H04N 5/2254;  
H04N 2101/00  
See application file for complete search history.

(56) **References Cited**

**U.S. PATENT DOCUMENTS**

D118,296 S 12/1939 Tuomey  
4,646,141 A 2/1987 Timmermans  
5,808,663 A 9/1998 Okaya  
D441,386 S 5/2001 Yamazaki  
D442,982 S \* 5/2001 Adachi ..... D16/203

D504,904 S 5/2005 Nagai  
D515,121 S 2/2006 Bleau et al.  
D544,463 S \* 6/2007 Harris ..... D14/168  
D576,486 S \* 9/2008 Koza ..... D9/432  
D616,480 S 5/2010 Ookawa  
D647,935 S \* 11/2011 Raken ..... D16/202  
8,467,675 B2 6/2013 Chen  
D690,280 S \* 9/2013 Schul ..... D14/168  
D713,868 S 9/2014 Yang et al.  
D727,387 S 4/2015 Hasegawa  
D727,991 S \* 4/2015 Hasegawa ..... D16/203  
D729,761 S 5/2015 Hu  
D730,423 S 5/2015 Vandenbussche  
2011/0216195 A1 \* 9/2011 Tanaka ..... H04N 5/2253  
348/148  
2013/0321696 A1 \* 12/2013 Bae ..... H04N 5/2252  
348/372

\* cited by examiner

*Primary Examiner* — Philip S Hyder

*Assistant Examiner* — Ramzi Almatrahi

(74) *Attorney, Agent, or Firm* — Fenwick & West LLP

(57) **CLAIM**

The ornamental design for a camera, as shown and described.

**DESCRIPTION**

FIG. 1 is a front, top, and right side perspective view of a camera;

FIG. 2 is a front, bottom, and left side perspective view thereof;

FIG. 3 is a rear, top, and left side perspective view thereof;

FIG. 4 is a rear, bottom, and right side perspective view thereof;

FIG. 5 is a front elevational view thereof;

FIG. 6 is a rear elevational view thereof;

FIG. 7 is a right side elevational view thereof;

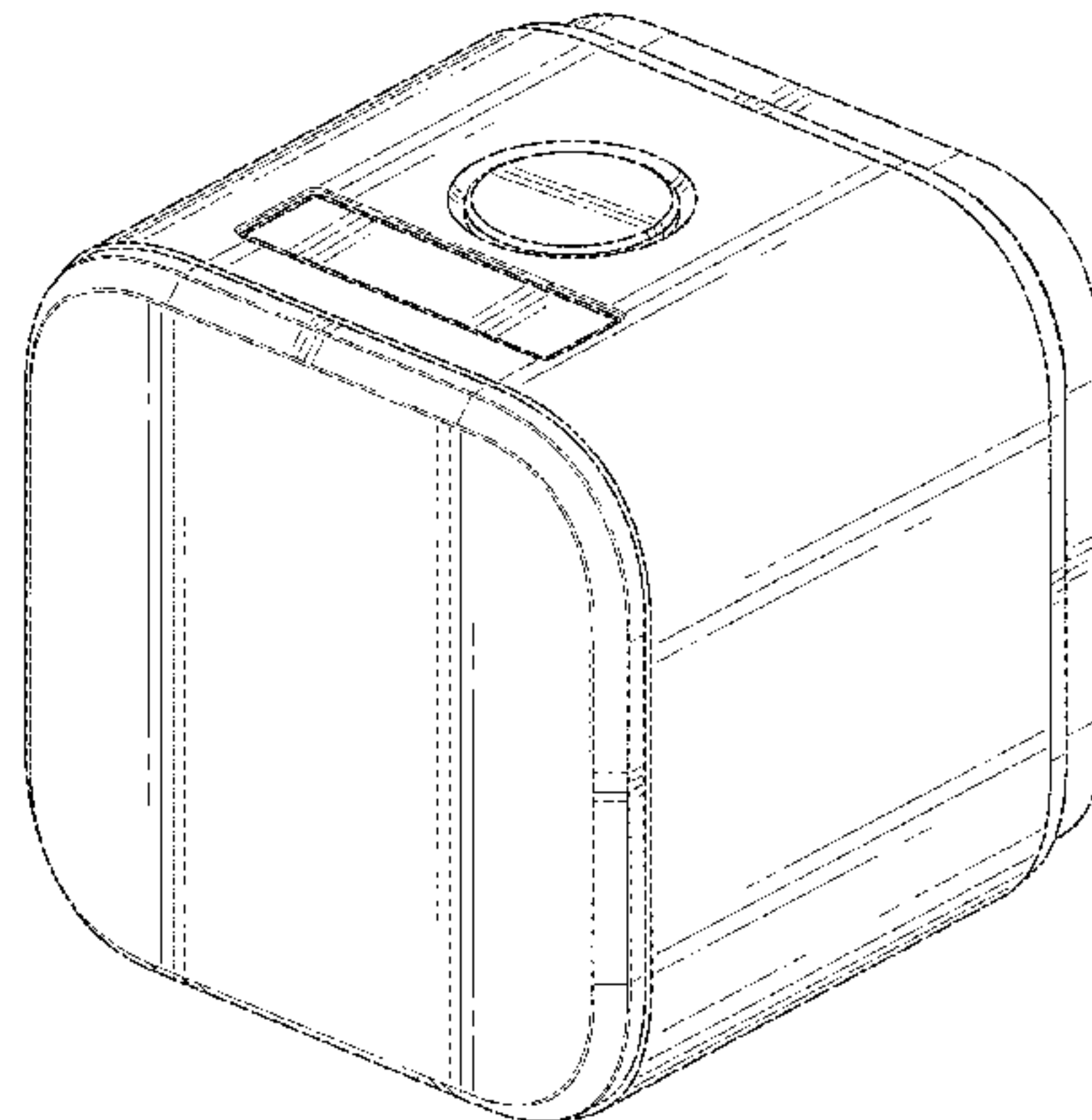
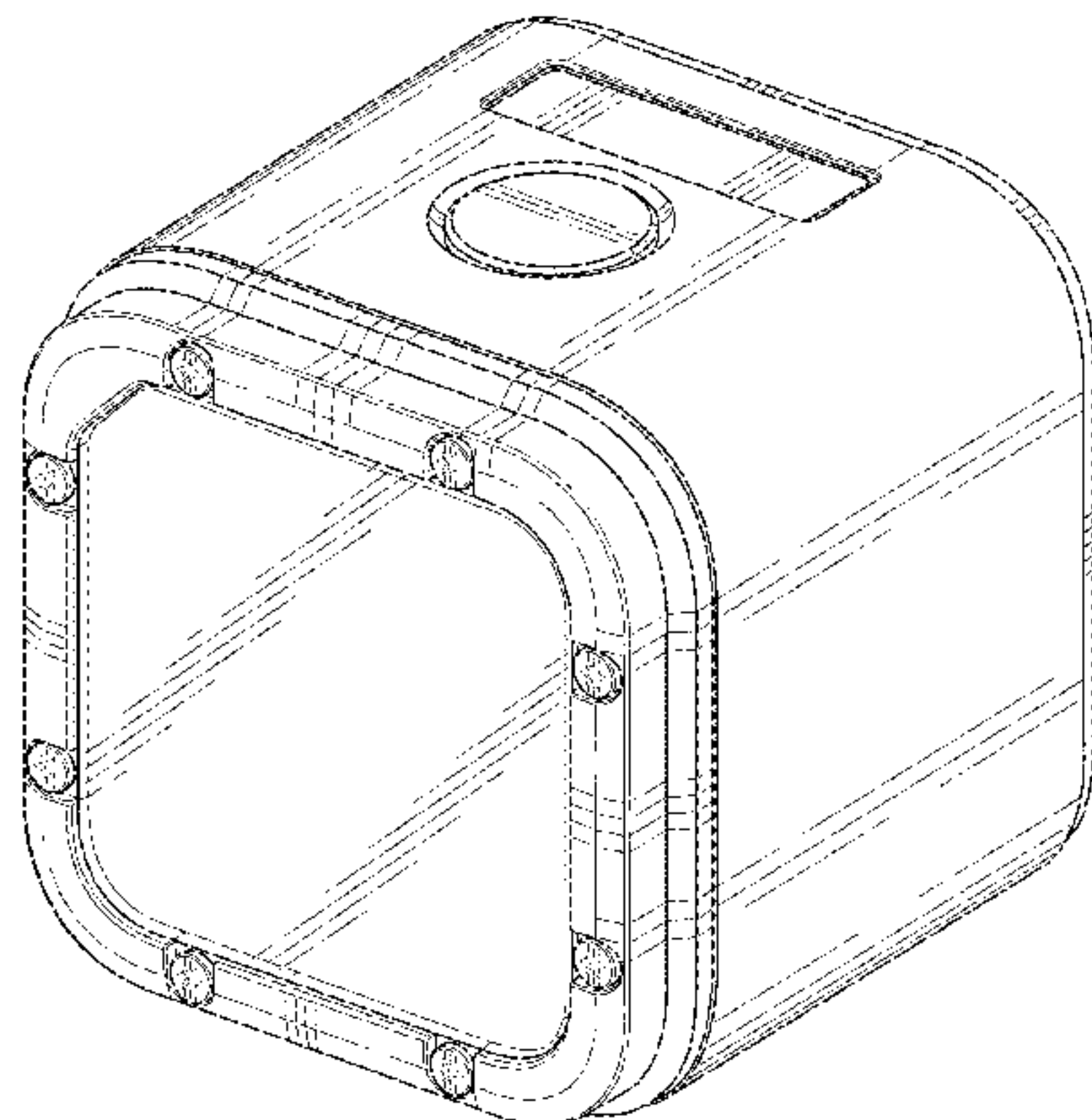
FIG. 8 is a left side elevational view thereof;

FIG. 9 is a top plan view thereof; and,

FIG. 10 is a bottom plan view thereof.

The broken lines depict portions of the camera in which the design is embodied that form no part of the claimed design.

**1 Claim, 10 Drawing Sheets**



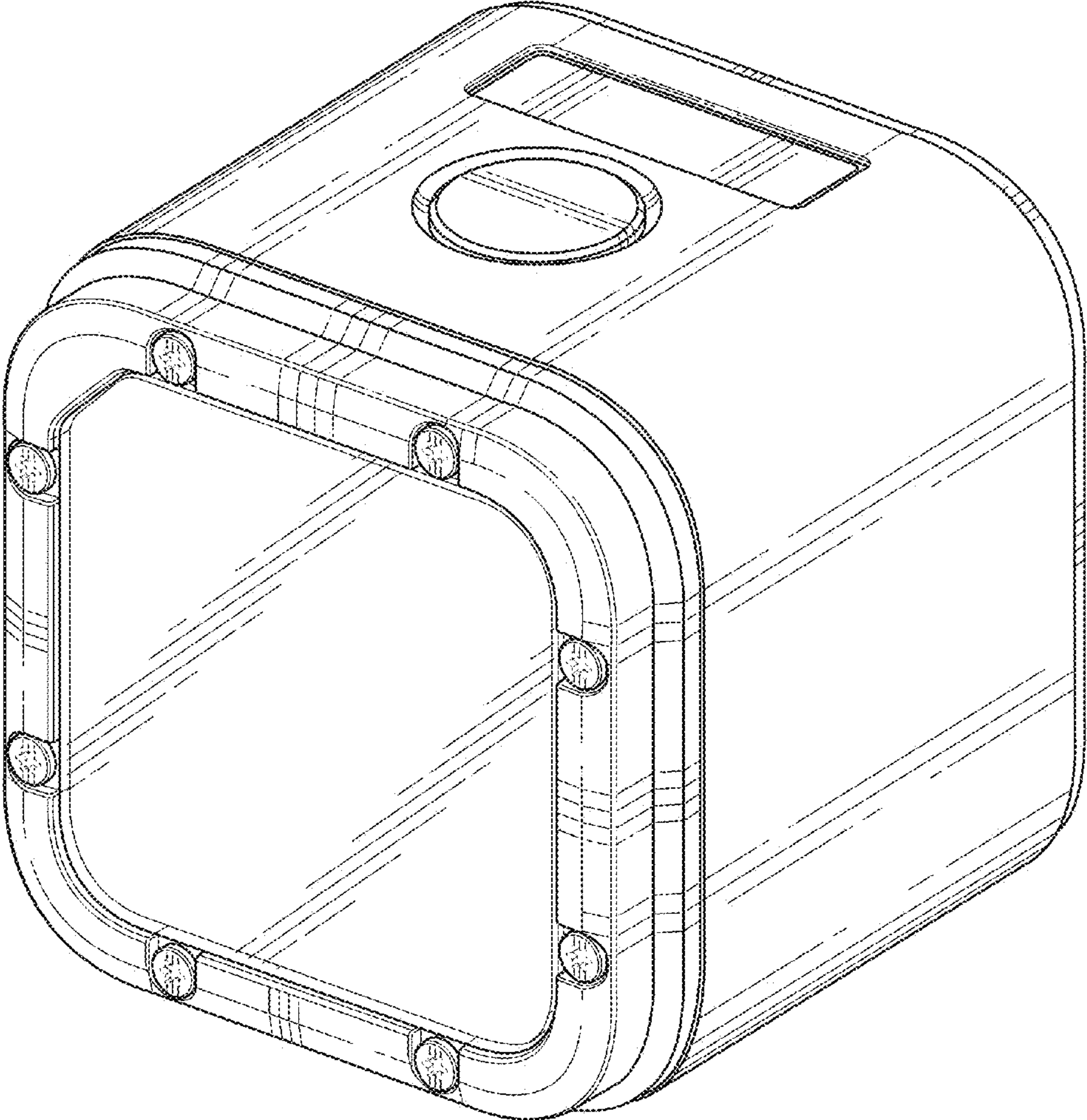


FIG. 1

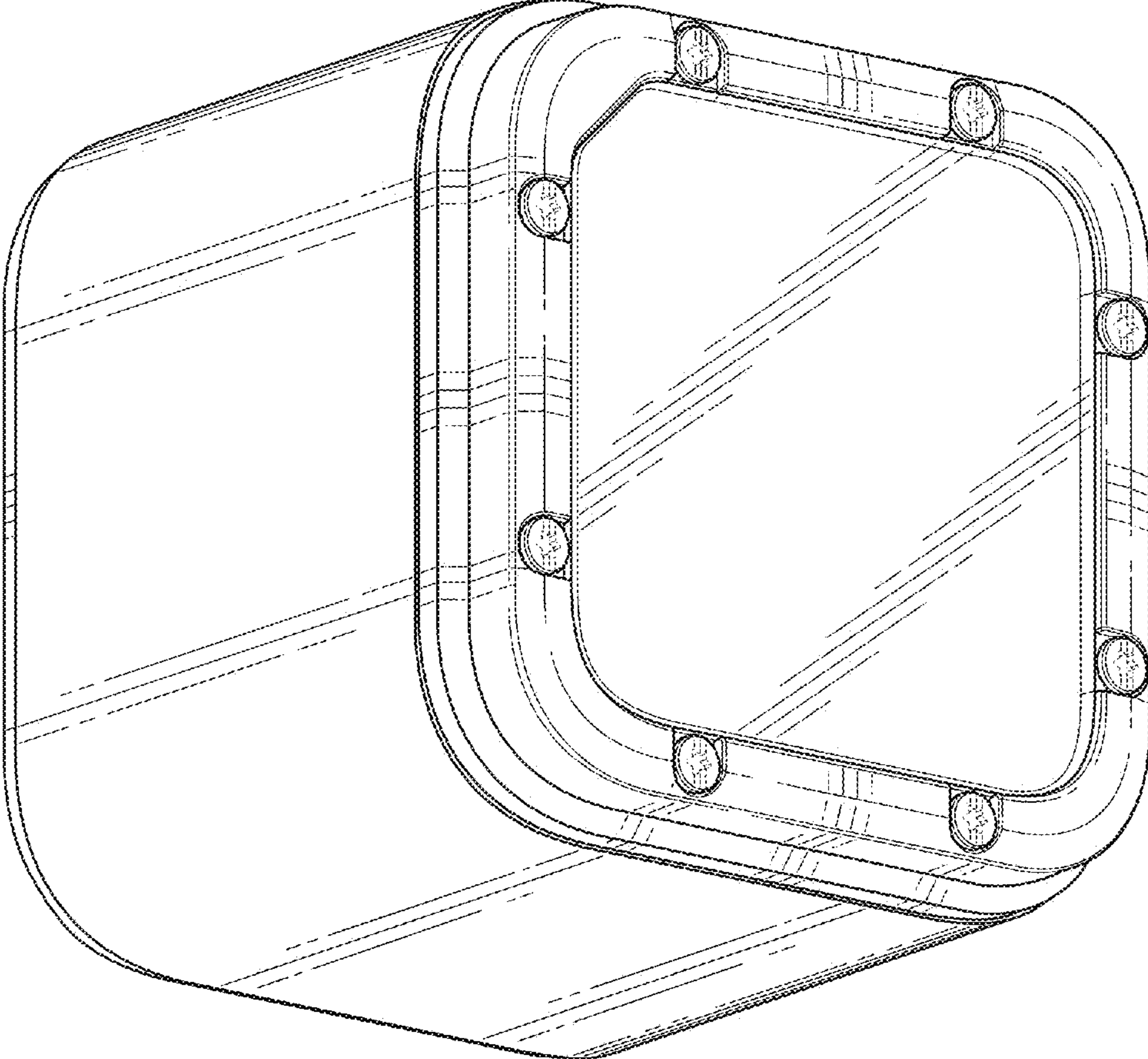


FIG. 2



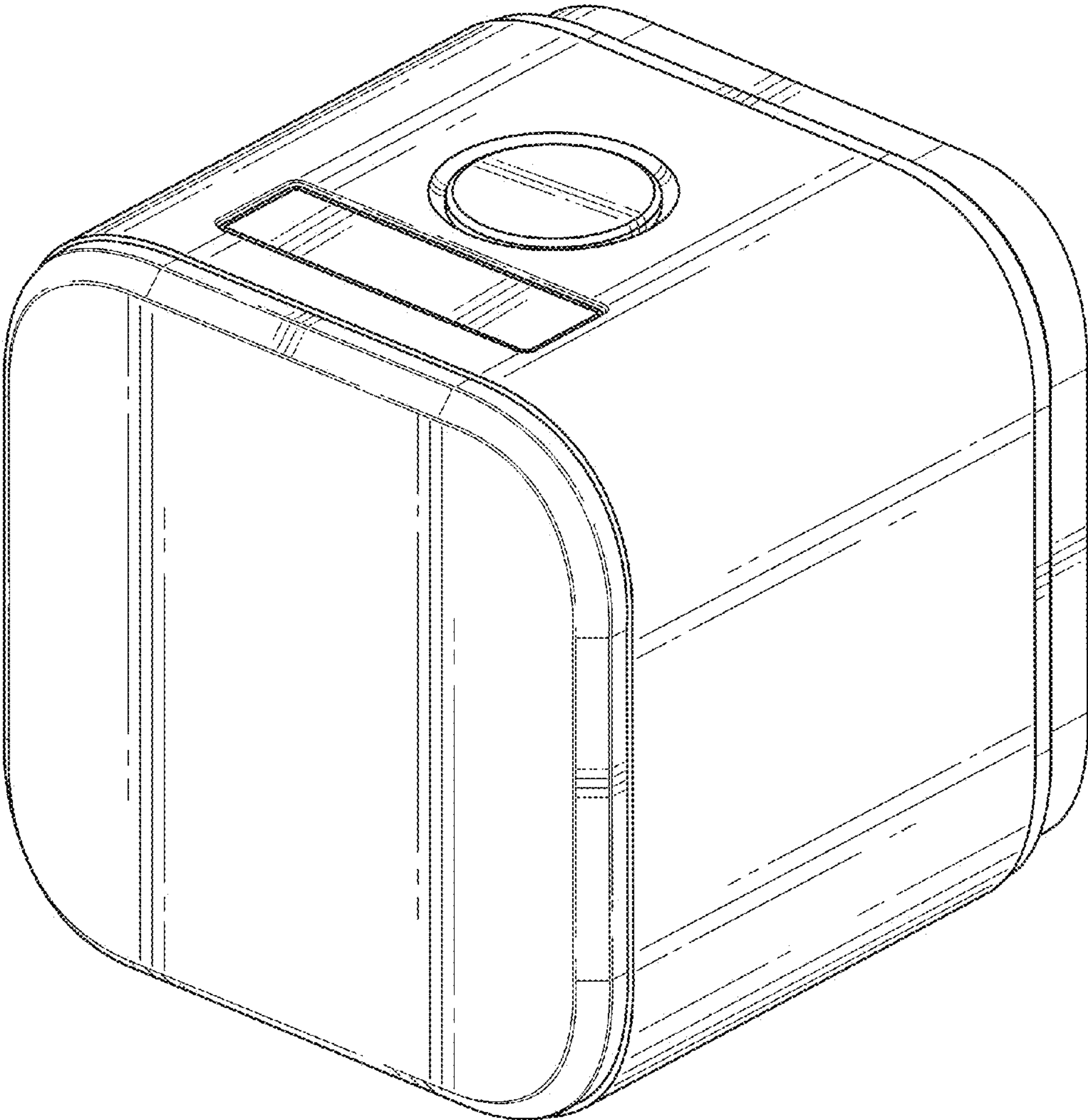


FIG. 3

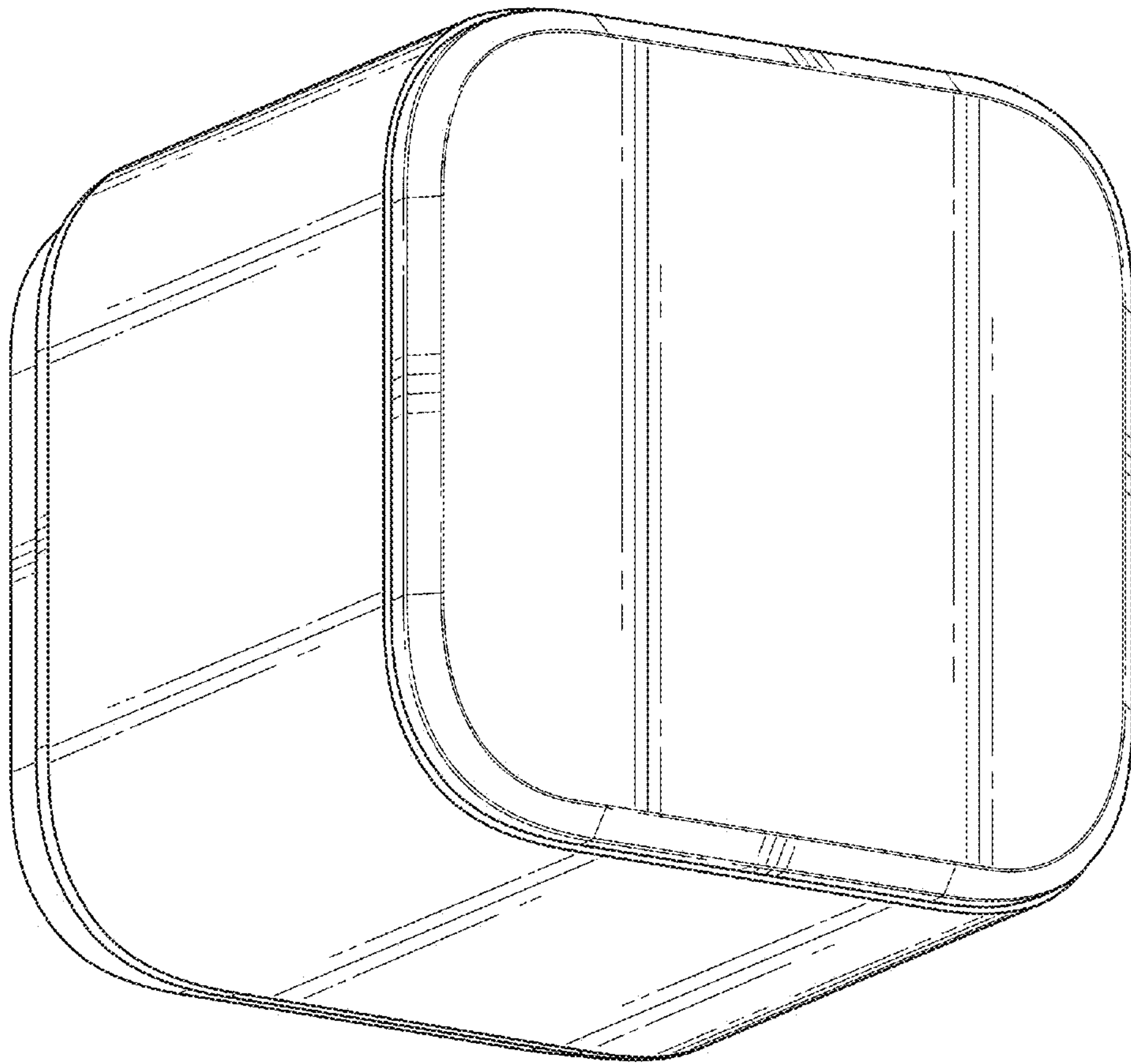


FIG. 4

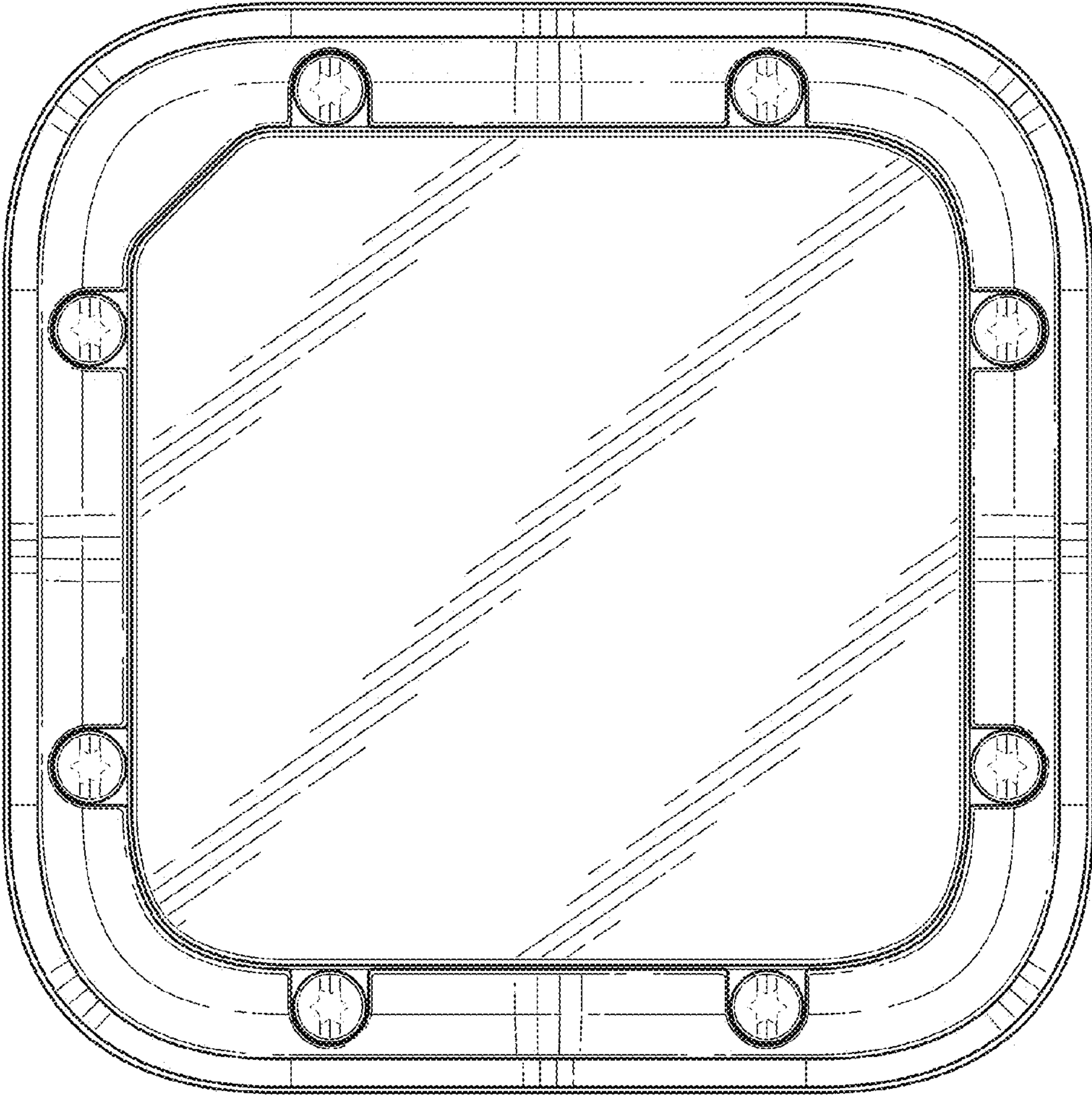


FIG. 5

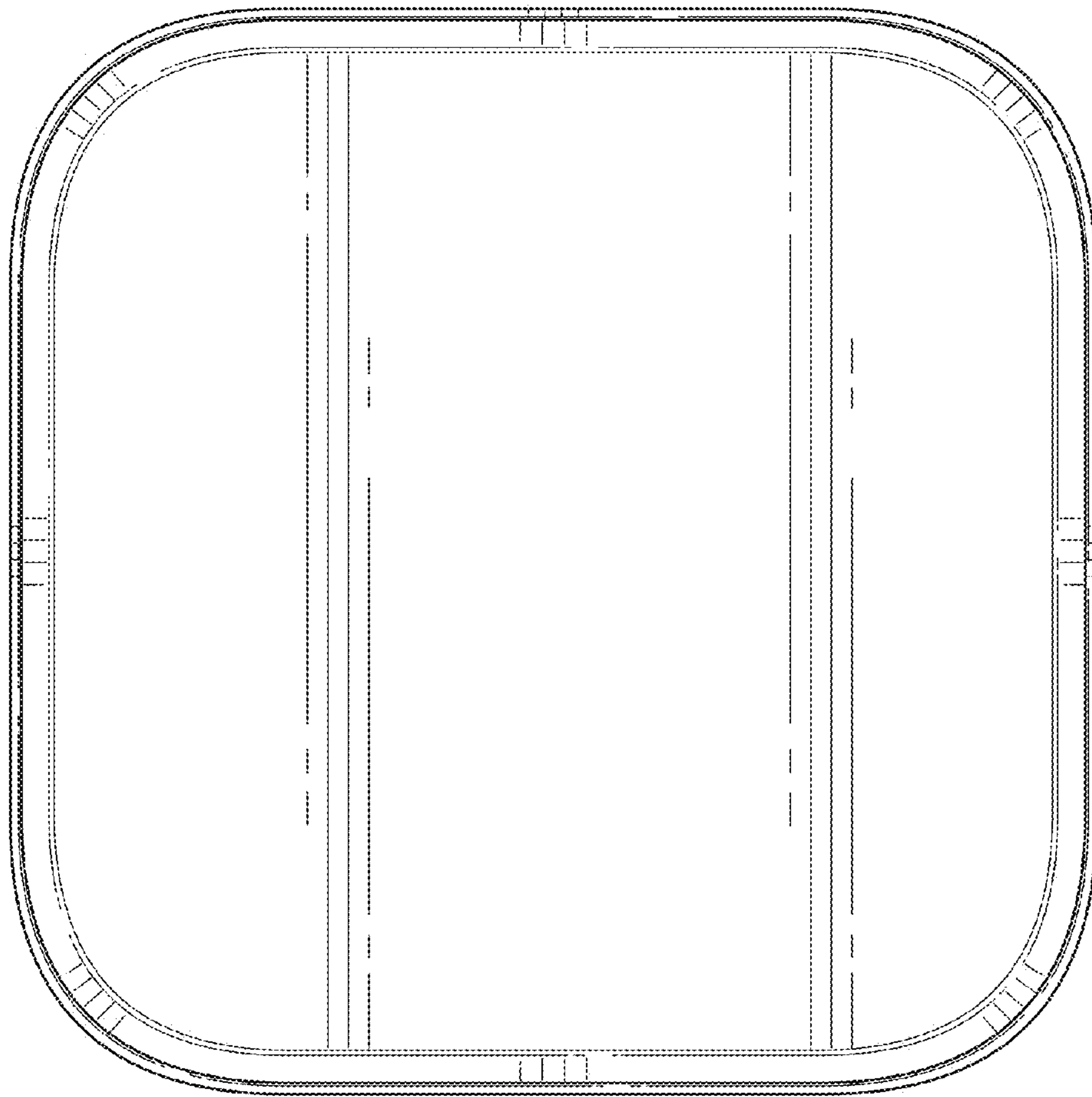


FIG. 6

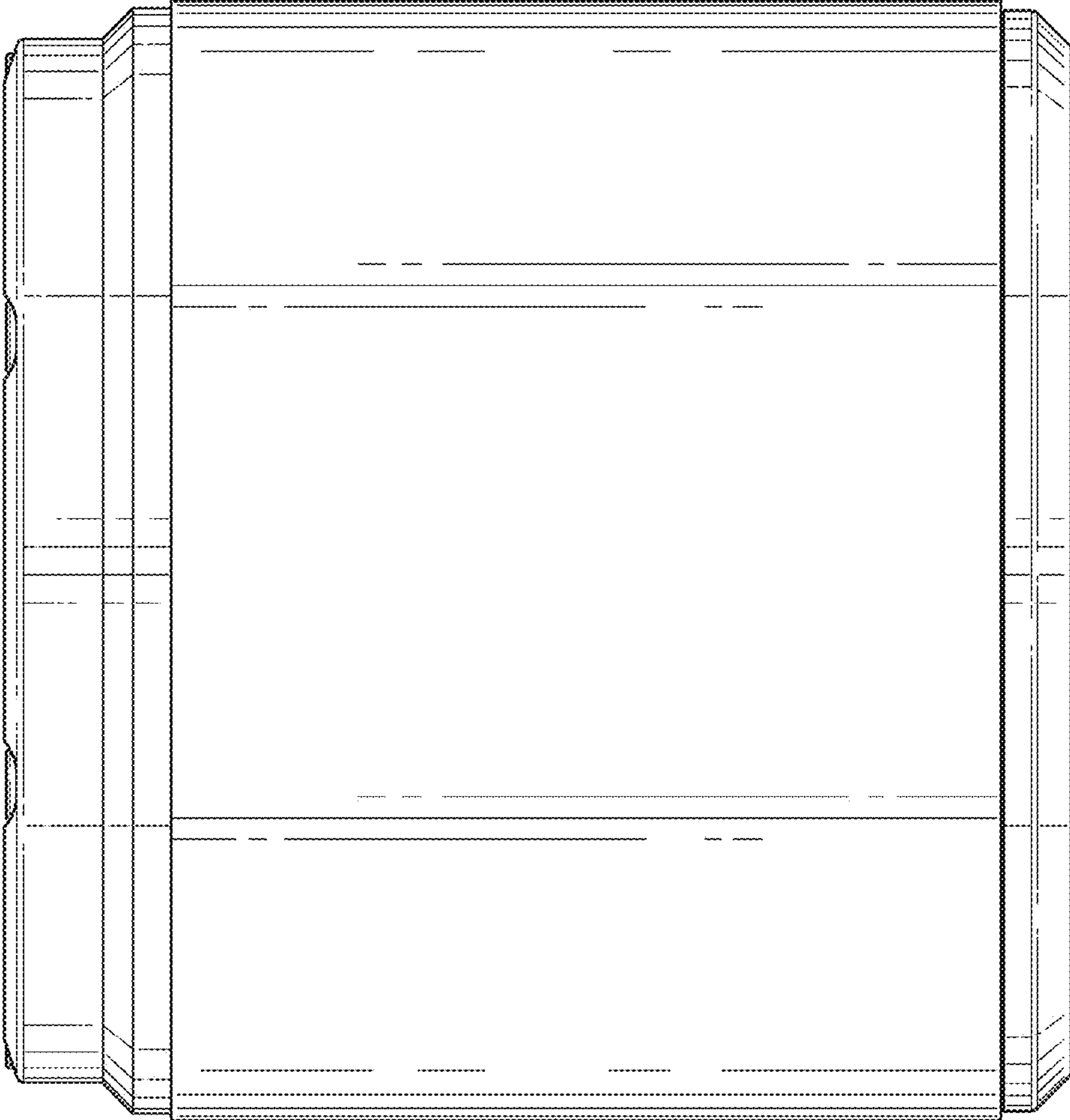


FIG. 7



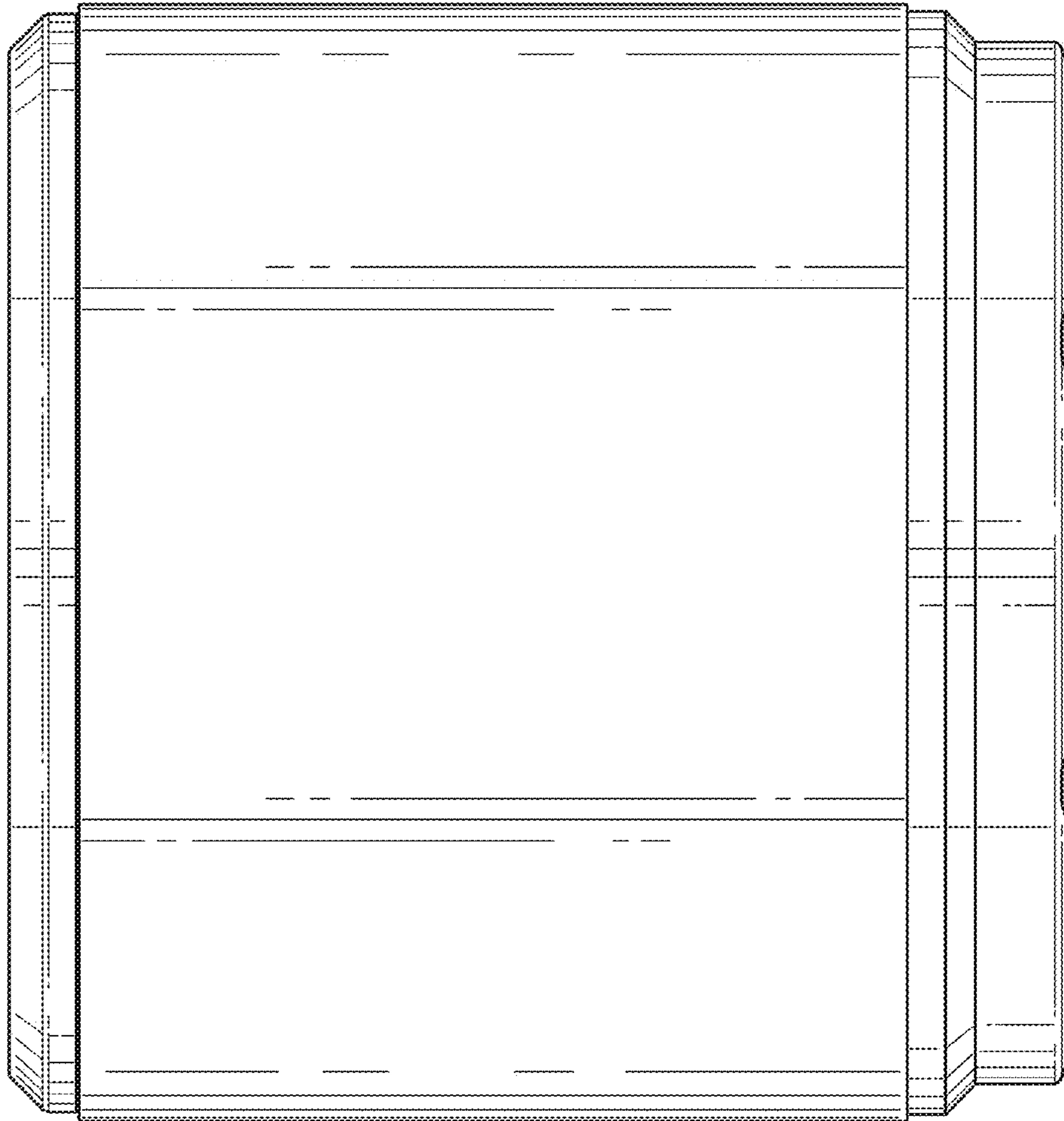


FIG. 8

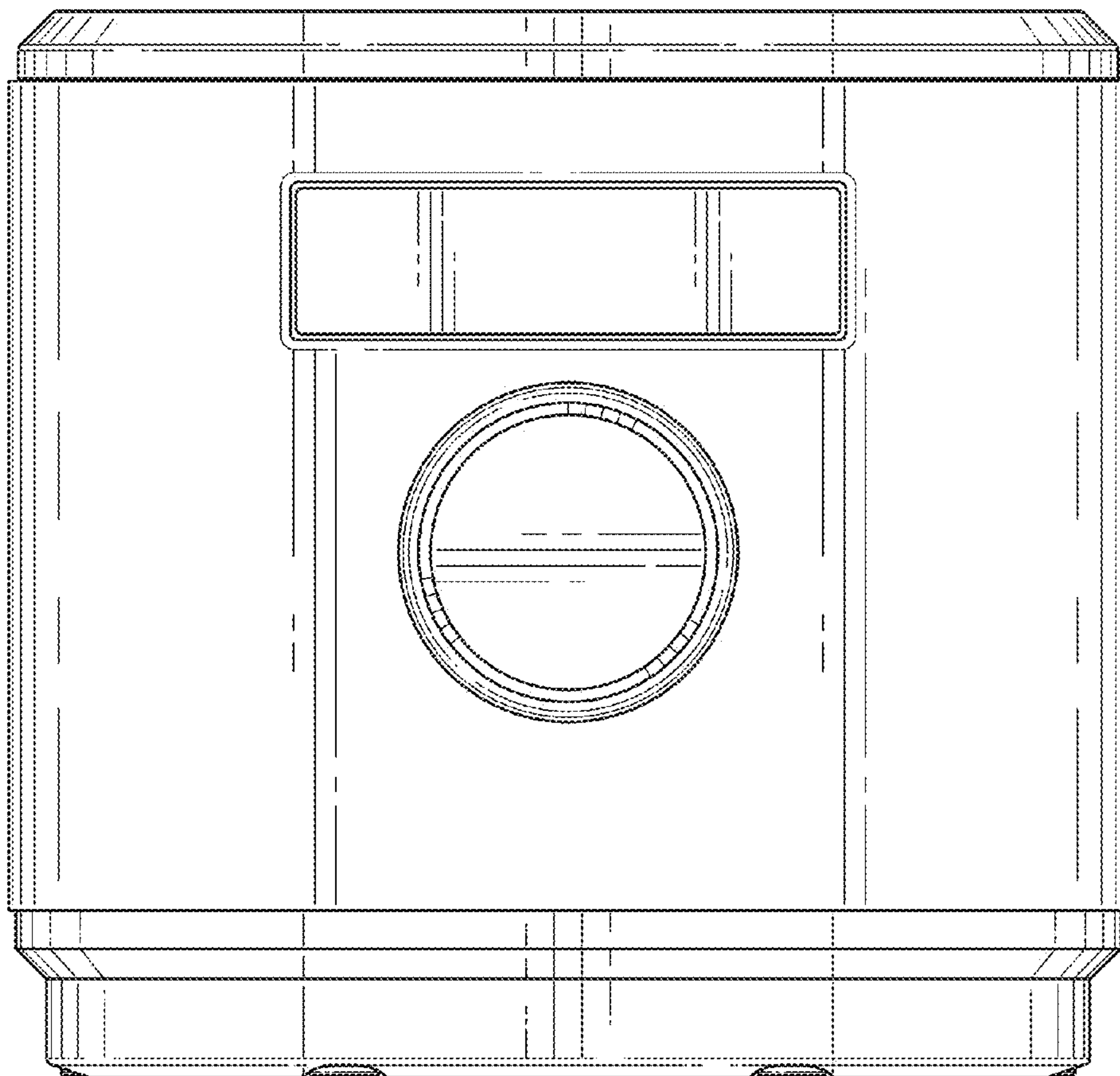


FIG. 9

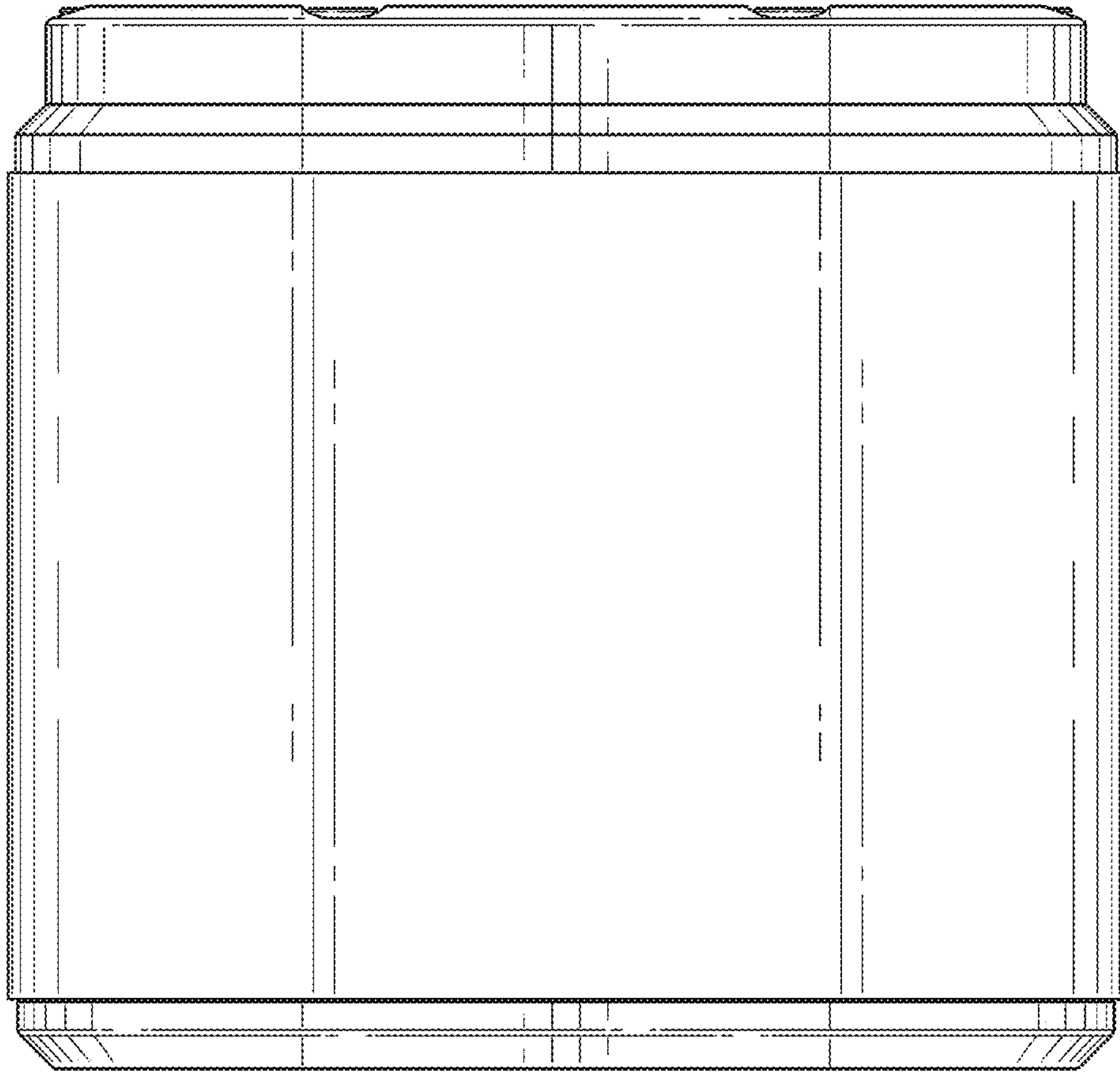


FIG. 10