



US00D760311S

(12) **United States Design Patent**
Cho

(10) **Patent No.:** **US D760,311 S**

(45) **Date of Patent:** **** *Jun. 28, 2016**

(54) **REARVIEW CAMERA**

(71) Applicant: **Yongbum Cho**, Seoul (KR)

(72) Inventor: **Yongbum Cho**, Seoul (KR)

(73) Assignee: **EASTERN MASTEC CORP**, Seoul (KR)

(*) Notice: This patent is subject to a terminal disclaimer.

(**) Term: **14 Years**

(21) Appl. No.: **29/464,416**

(22) Filed: **Aug. 15, 2013**

(30) **Foreign Application Priority Data**

Jun. 4, 2013 (KR) 30-2013-0029068

(51) **LOC (10) Cl.** **16-01**

(52) **U.S. Cl.**
USPC **D16/218**

(58) **Field of Classification Search**
USPC D16/200, 202-204, 207, 208, 210, 218, D16/219, 222; D12/400; 340/937; 348/143, 348/148, 151, 360, 373-376; 396/419, 427, 396/429, 529, 535, 539-541
CPC G03B 15/03; G03B 17/02; G03B 17/04; G03B 17/48; G03B 17/56; G03B 19/04; G08G 1/0175; H04N 5/2251; H04N 5/2252; H04N 5/2253; H04N 5/2254; H04N 2101/00; B60R 1/00

See application file for complete search history.

(56) **References Cited**

U.S. PATENT DOCUMENTS

D450,738	S	*	11/2001	Rak	D16/203
D455,164	S	*	4/2002	Tsang et al.	D16/202
D508,064	S	*	8/2005	Ramirez	D16/200
D530,732	S	*	10/2006	Tanaka et al.	D16/202
D540,358	S	*	4/2007	Orbach	D16/202
D575,318	S	*	8/2008	Dean	D16/203
D624,106	S	*	9/2010	Cho et al.	D16/203
D647,933	S	*	11/2011	Raken et al.	D16/202
D647,934	S	*	11/2011	Raken et al.	D16/202
D664,579	S	*	7/2012	Tzeng	D16/202
8,432,446	B2	*	4/2013	Son	348/148
D705,337	S	*	5/2014	Tani	D16/219
2006/0171704	A1	*	8/2006	Bingle et al.	396/419
2010/0129070	A1	*	5/2010	Balasundaramohan et al.	396/419
2013/0107110	A1	*	5/2013	Park et al.	348/373
2014/0300742	A1	*	10/2014	Han	348/148

* cited by examiner

Primary Examiner — Susan E Krakower

Assistant Examiner — Ramzi Almatrahi

(74) *Attorney, Agent, or Firm* — Tope-McKay & Associates

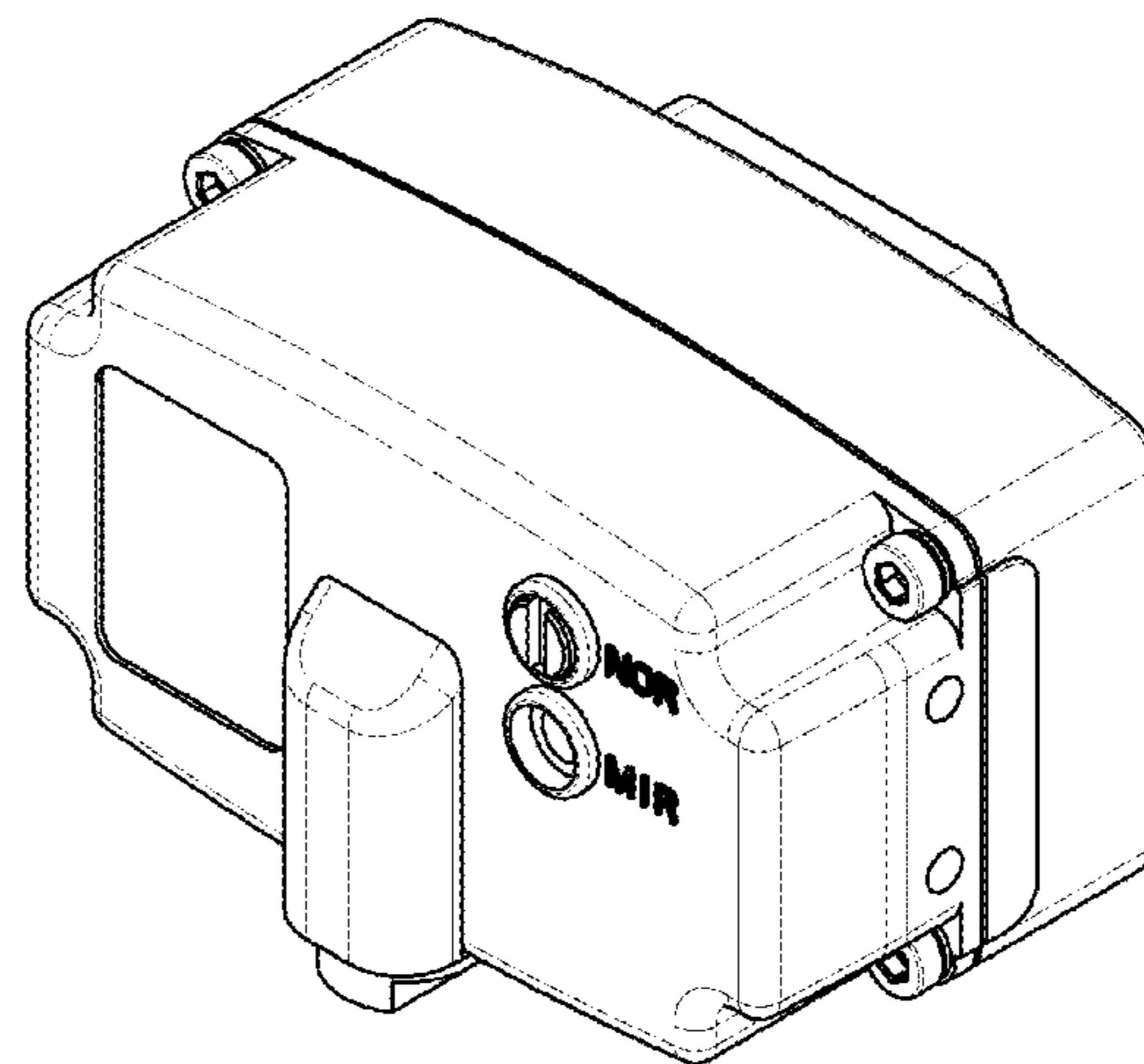
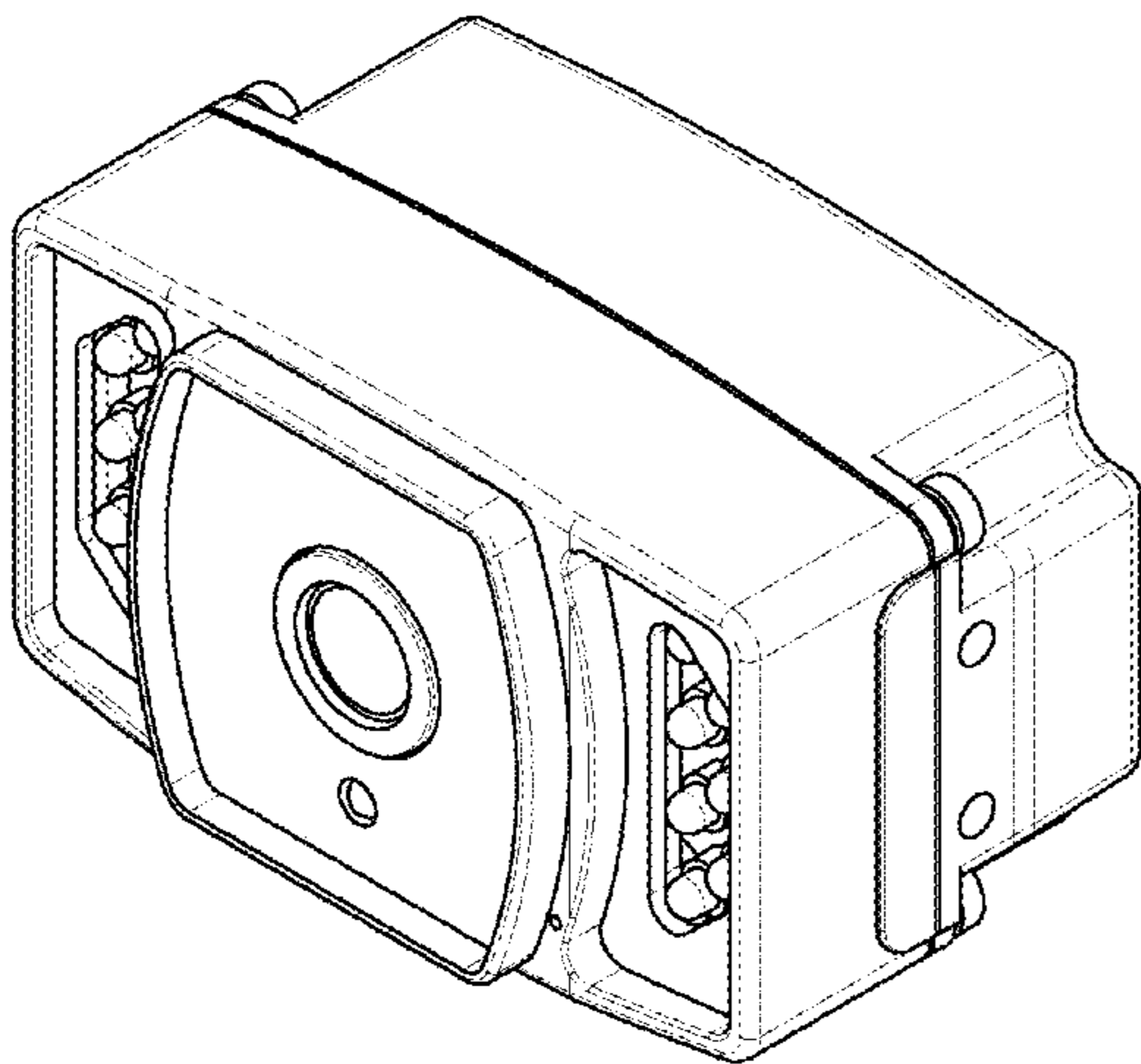
(57) **CLAIM**

The ornamental design for a rearview camera, as shown.

DESCRIPTION

FIG. 1 is a front perspective view of a rearview camera in accordance with the new design;
FIG. 2 is a front elevation view thereof;
FIG. 3 is a rear elevation view thereof;
FIG. 4 is a left side elevation view thereof;
FIG. 5 is a right side elevation view thereof;
FIG. 6 a top plan view thereof;
FIG. 7 is a bottom plan view thereof; and,
FIG. 8 is a rear perspective view thereof.

1 Claim, 8 Drawing Sheets



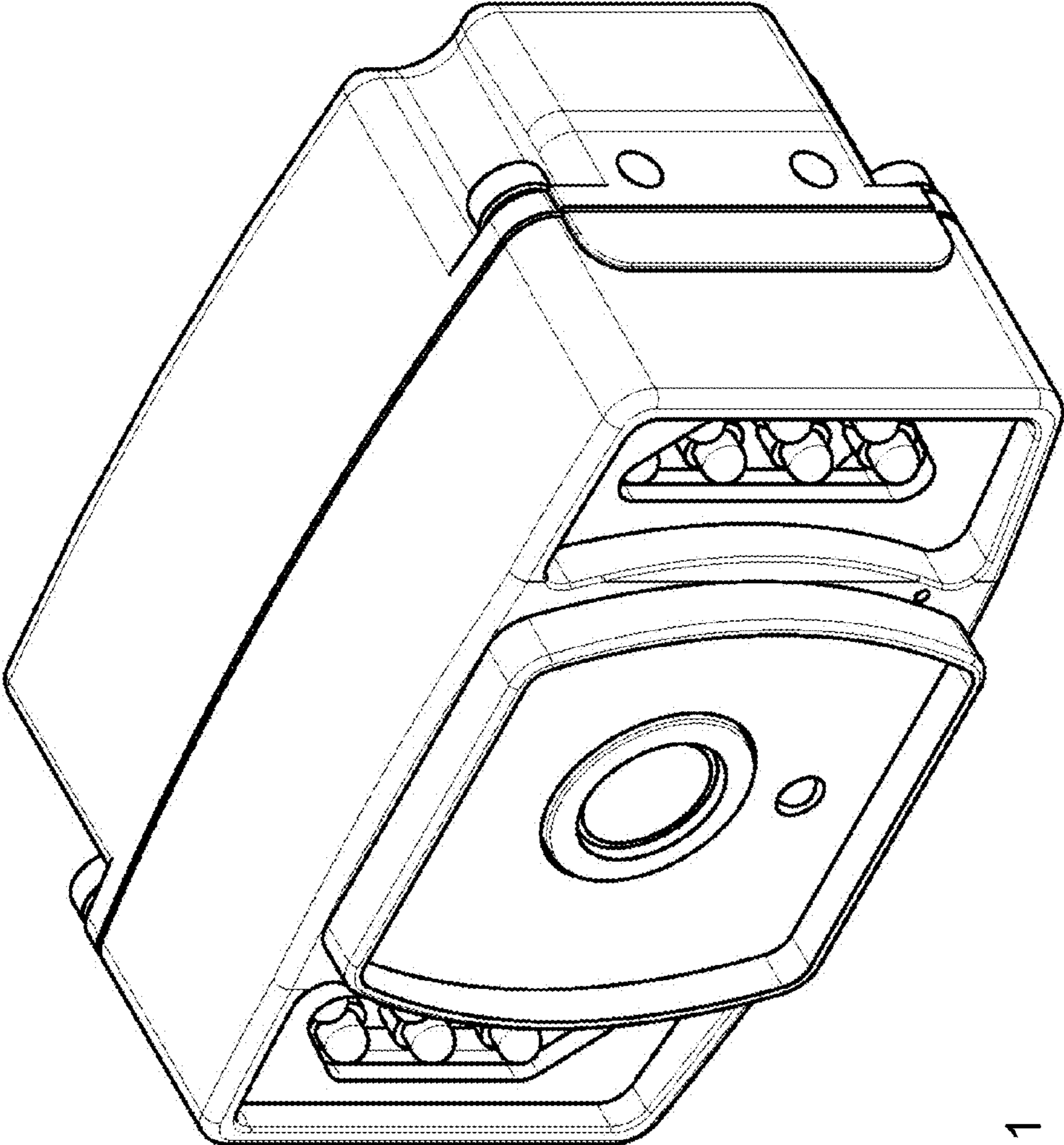


Fig. 1

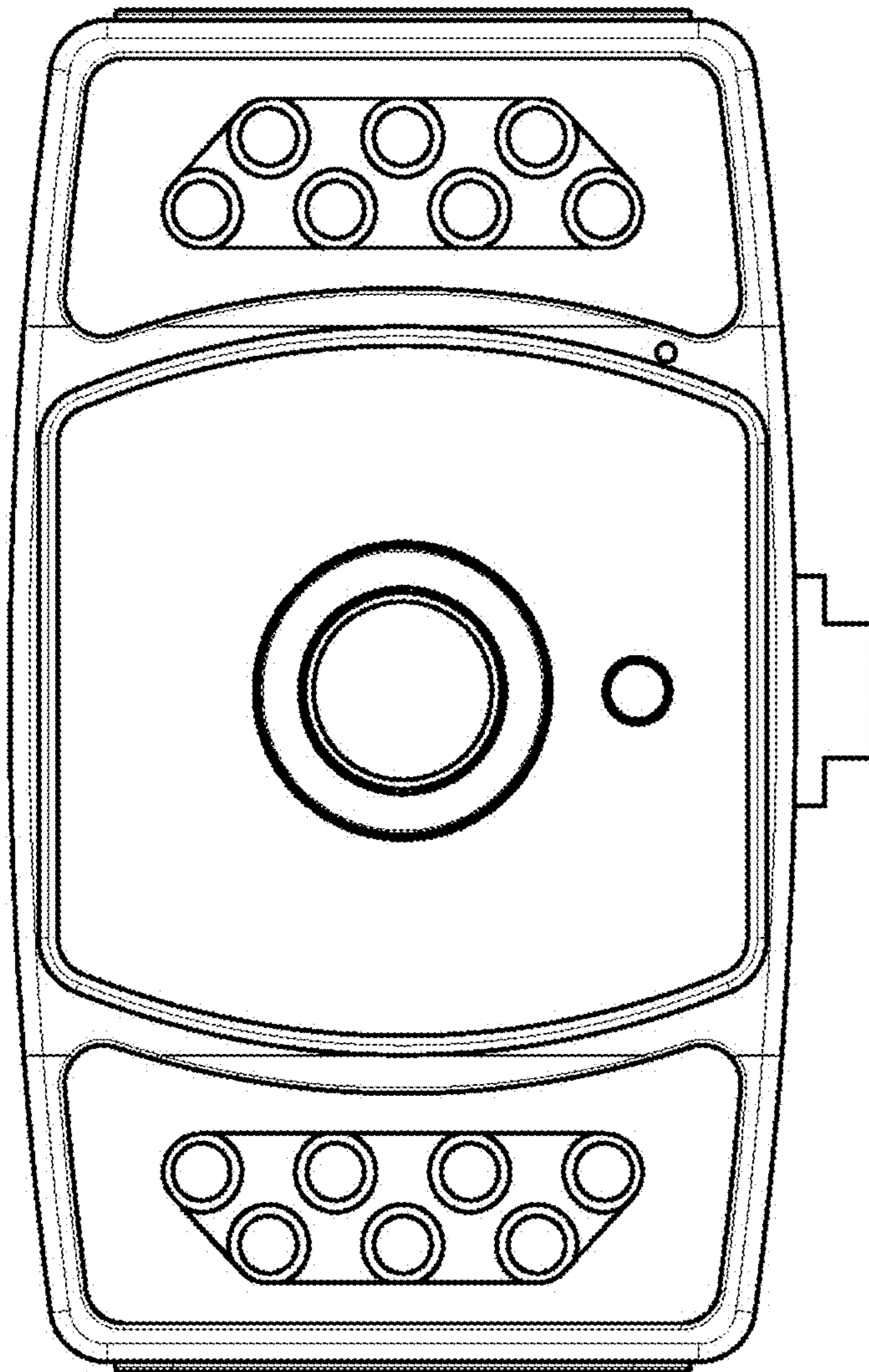


Fig. 2

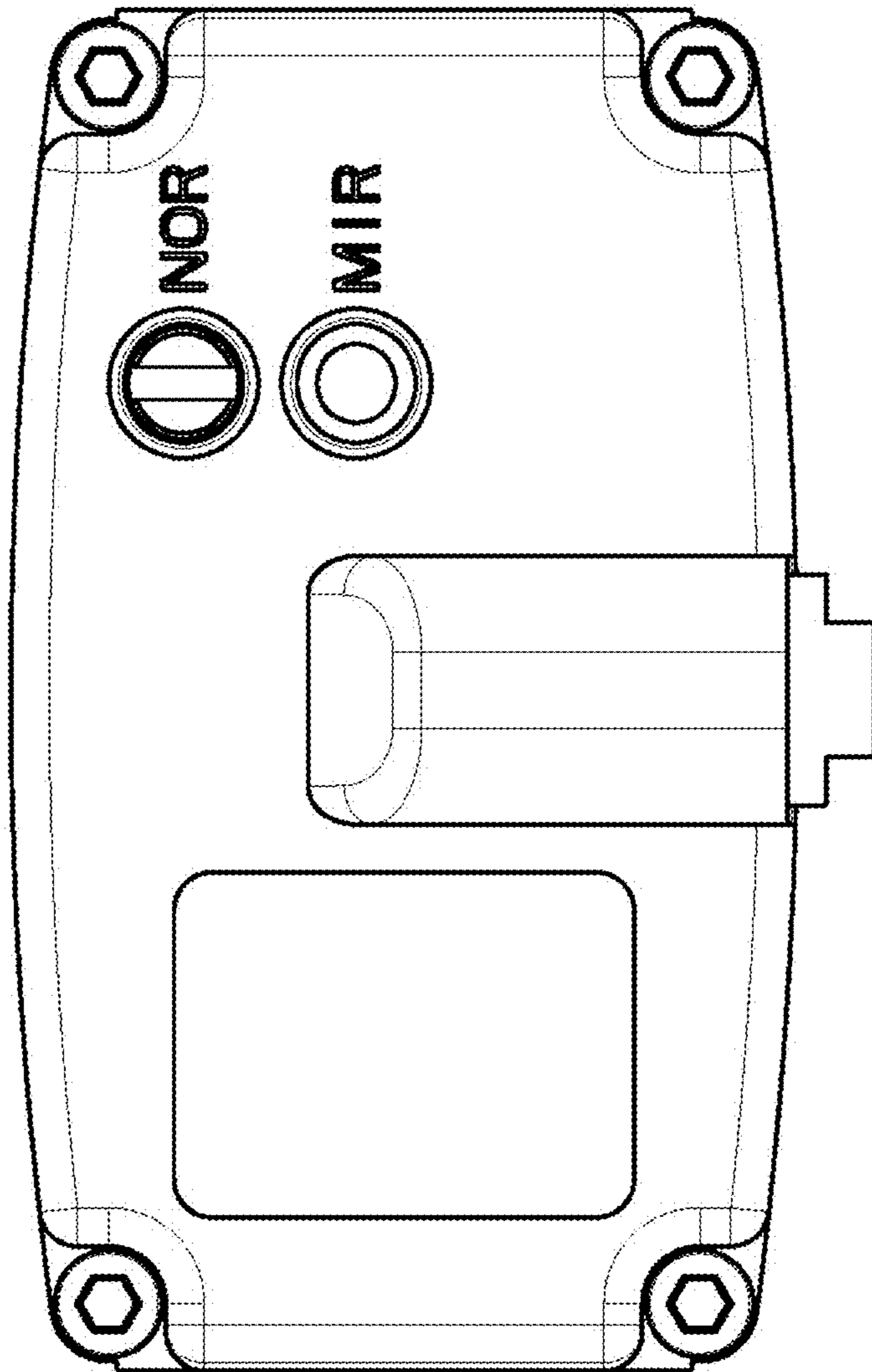


Fig. 3

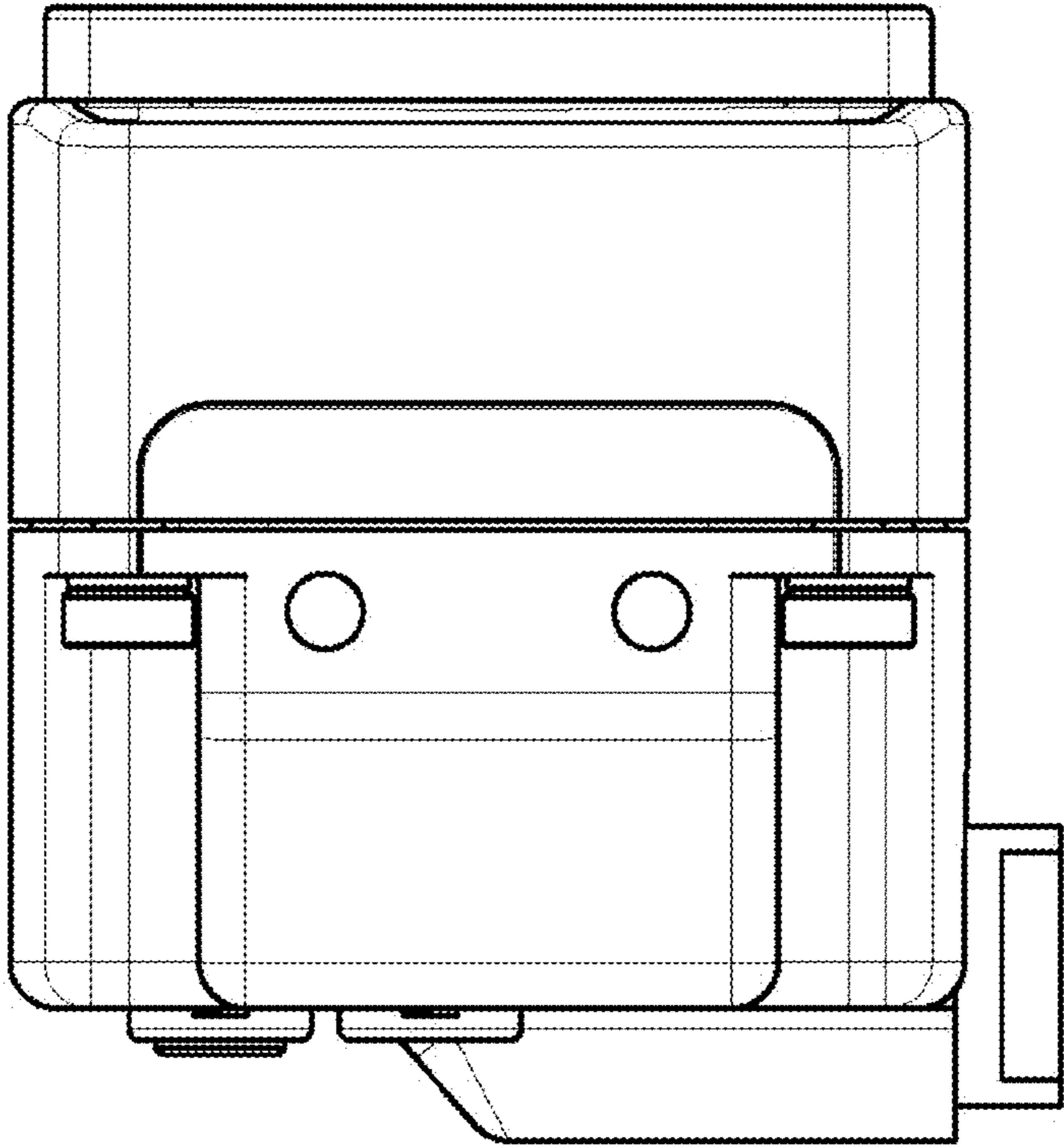


Fig. 4

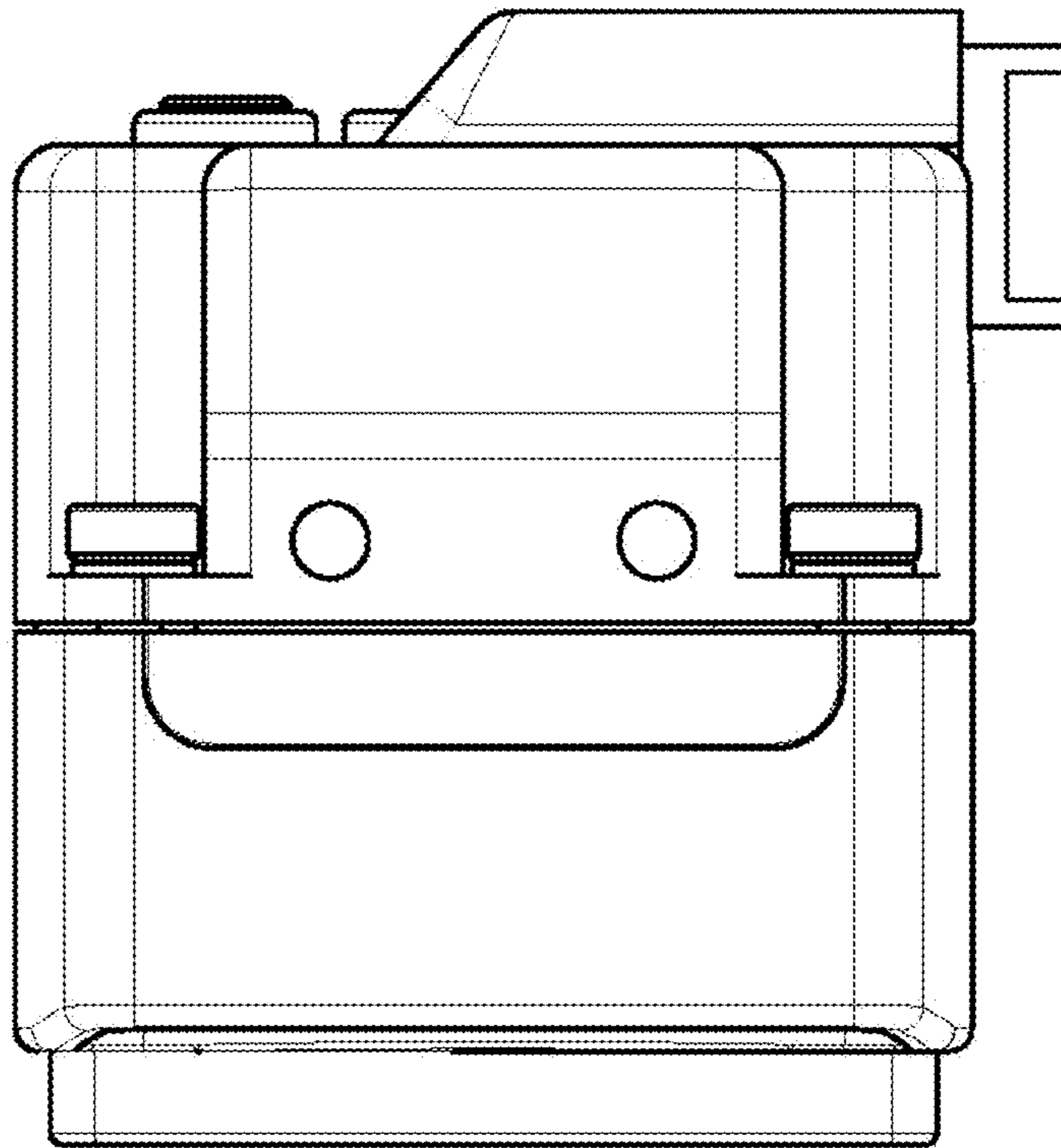


Fig. 5

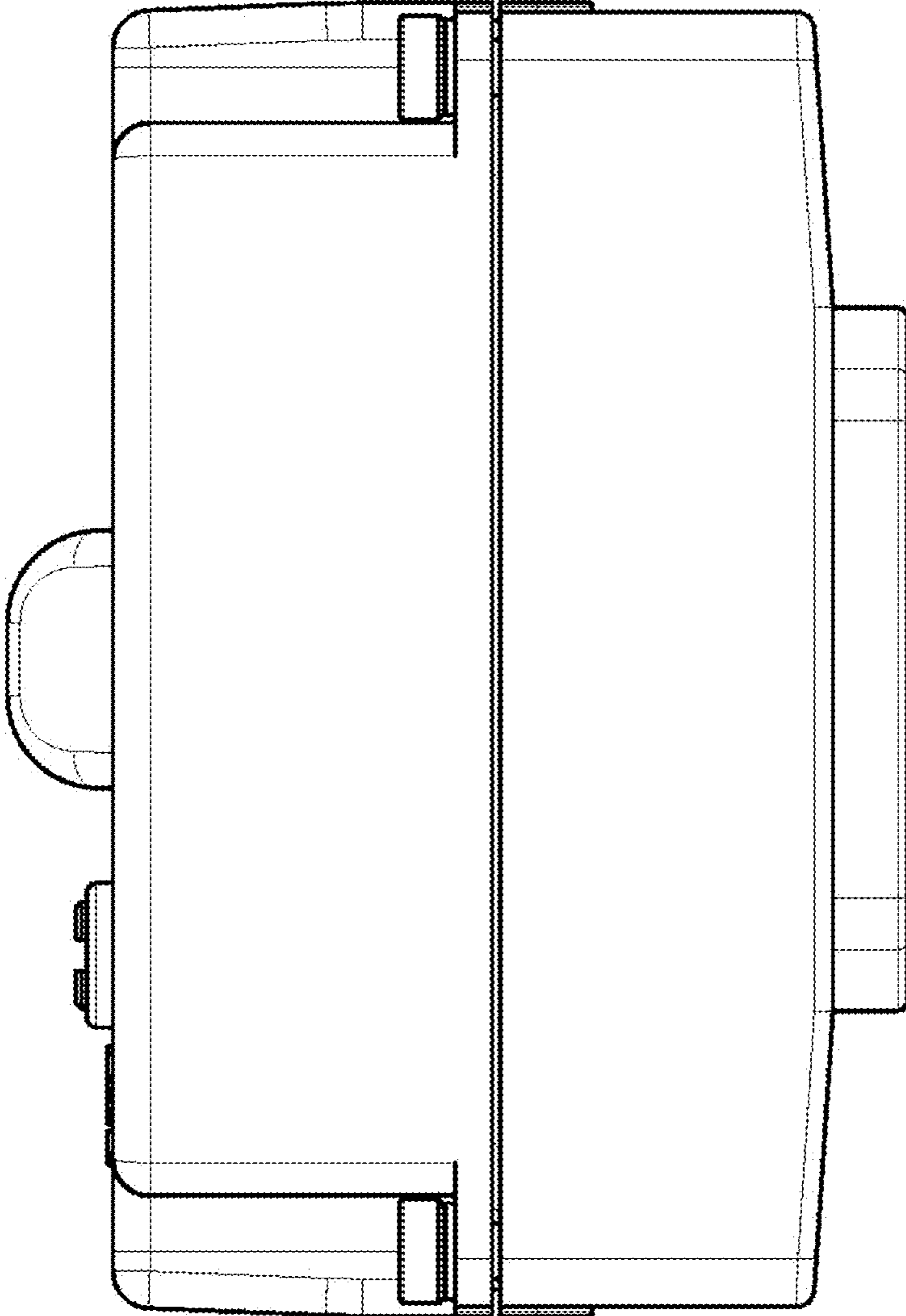


Fig. 6

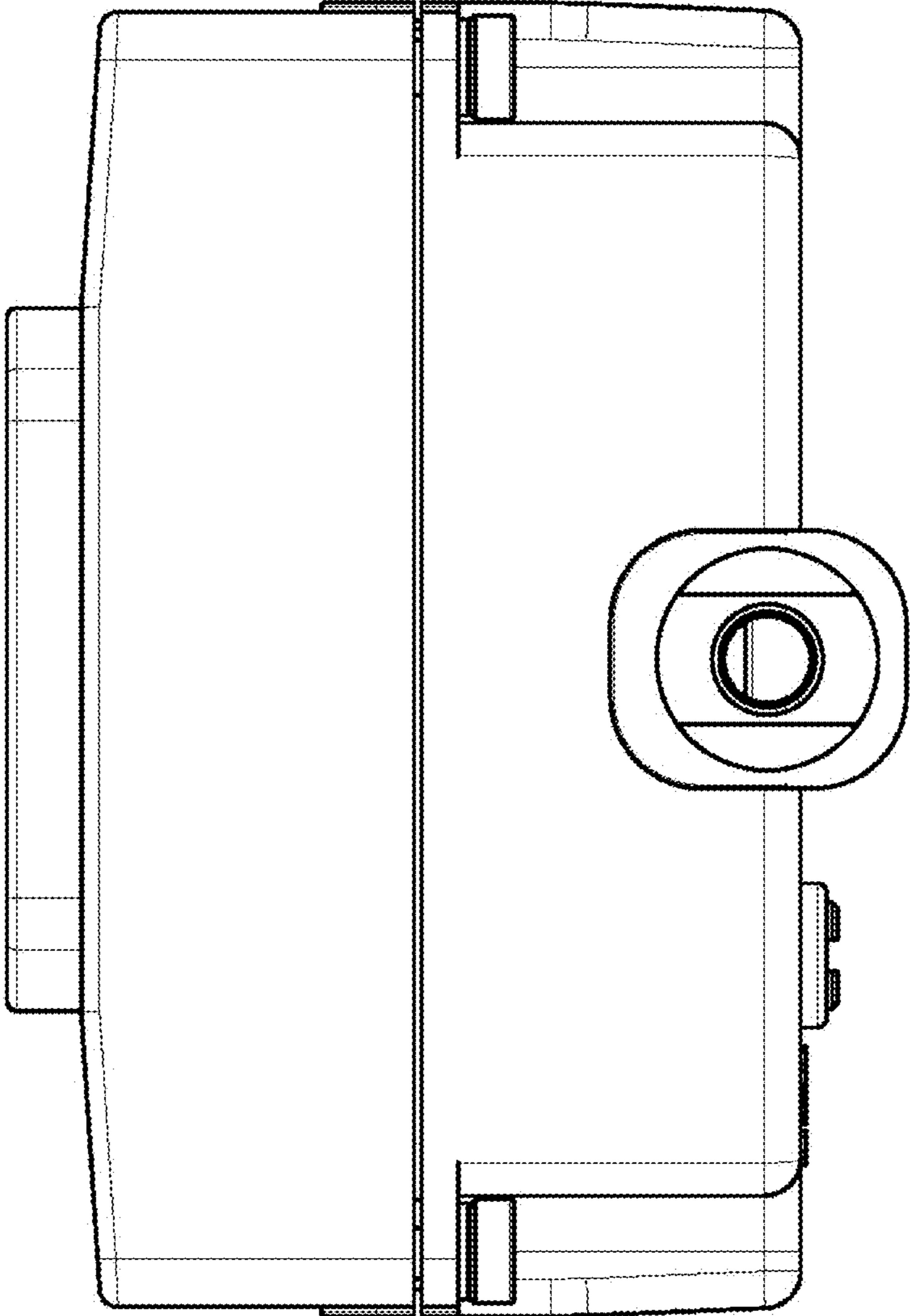


Fig. 7

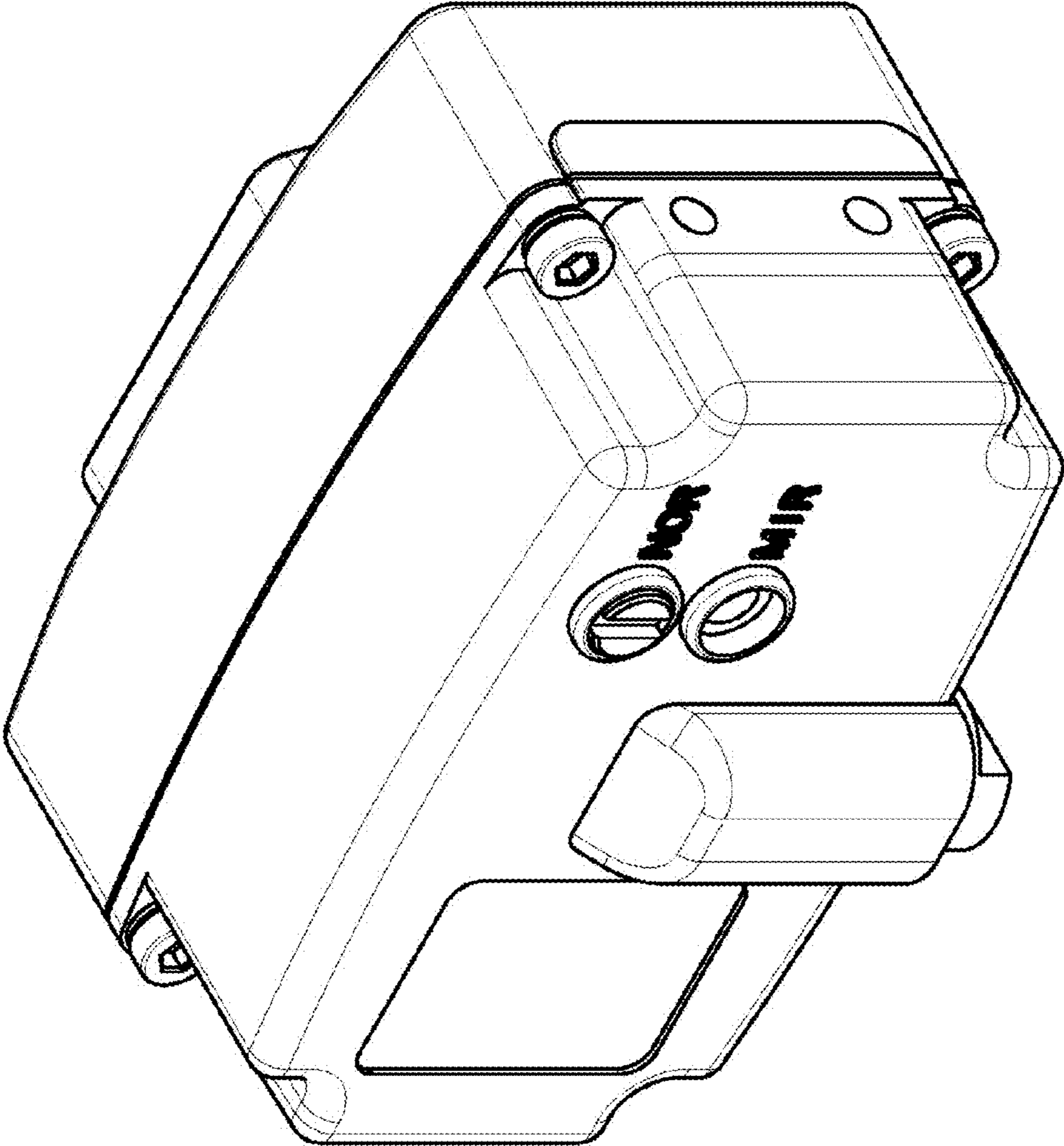


Fig. 8