



US00D760310S

(12) **United States Design Patent**  
**Pacurariu et al.**

(10) **Patent No.:** **US D760,310 S**  
(45) **Date of Patent:** **\*\* Jun. 28, 2016**

(54) **CYLINDRICAL CAMERA**

(71) Applicant: **LYVE MINDS, INC.**, Cupertino, CA (US)  
(72) Inventors: **Mihnea Calin Pacurariu**, Los Gatos, CA (US); **Peter O. Schmidt**, San Jose, CA (US); **Jon Norton**, Menlo Park, CA (US); **David Hoenig**, Cupertino, CA (US); **Andreas von Sneidern**, San Jose, CA (US)  
(73) Assignee: **LYVE MINDS, INC.**, Cupertino, CA (US)

(\*\*) Term: **15 Years**

(21) Appl. No.: **29/528,142**

(22) Filed: **May 26, 2015**

(51) **LOC (10) Cl.** ..... **16-01**

(52) **U.S. Cl.**  
USPC ..... **D16/202**

(58) **Field of Classification Search**  
USPC ..... D16/200, 202–206, 208, 218, 219;  
348/143, 148, 151, 373–376; 396/419,  
396/427, 535, 539–541  
CPC ..... G03B 17/02; G03B 19/04; G03B 17/56;  
G03B 17/04; G03B 15/03; H04N 5/2251;  
H04N 5/2252; H04N 5/2253; H04N 5/2254;  
H04N 7/181; H04N 7/183; H04N 7/18;  
G08B 13/1963; G08B 13/19619; G08B  
13/19632

See application file for complete search history.

(56) **References Cited**

**U.S. PATENT DOCUMENTS**

D364,632 S \* 11/1995 Nakashima ..... D16/202  
D518,080 S \* 3/2006 Uehara ..... D16/202  
D662,122 S \* 6/2012 Goodwin ..... D16/208

D729,296 S \* 5/2015 Shelton ..... D16/202  
D730,422 S \* 5/2015 Kim ..... D16/218  
D733,780 S \* 7/2015 Chen ..... D16/202  
D734,801 S \* 7/2015 Yang ..... D16/202  
D742,954 S \* 11/2015 Simonelli ..... D16/203  
D743,465 S \* 11/2015 Aglassinger ..... D16/203  
D743,475 S \* 11/2015 Cover ..... D16/203  
D748,179 S \* 1/2016 Scalisi ..... D10/118.2  
2010/0284081 A1 \* 11/2010 Gutierrez ..... G02B 7/102  
359/554

\* cited by examiner

*Primary Examiner* — Philip S Hyder

*Assistant Examiner* — Ramzi Almatrahi

(74) *Attorney, Agent, or Firm* — Maschoff Brennan

(57) **CLAIM**

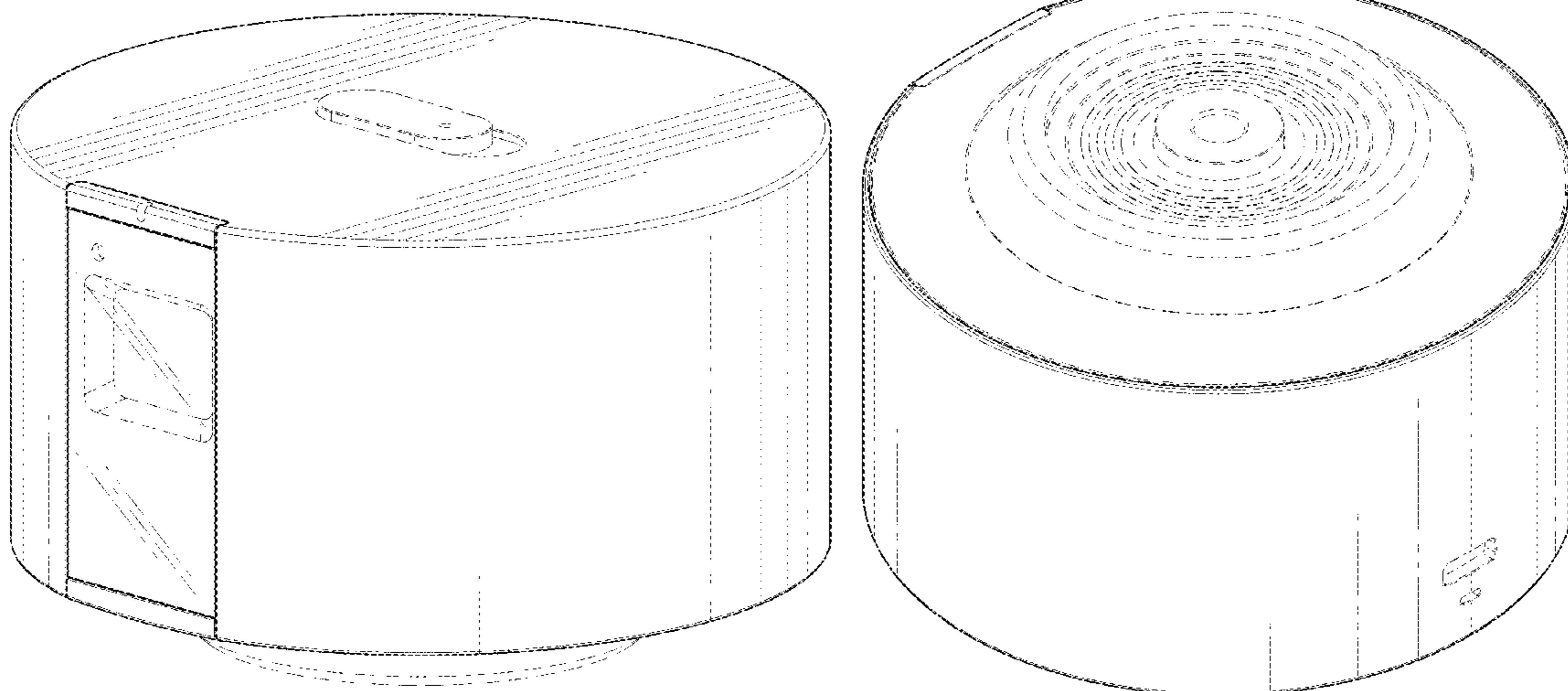
The ornamental design for a cylindrical camera, as shown and described.

**DESCRIPTION**

FIG. 1 is a top, front and right side perspective view of a cylindrical camera;  
FIG. 2 is a bottom, back and left side perspective view of the cylindrical camera shown in FIG. 1;  
FIG. 3 is a front view of the cylindrical camera shown in FIG. 1;  
FIG. 4 is a back view of the cylindrical camera shown in FIG. 1;  
FIG. 5 is a left side view of the cylindrical camera shown in FIG. 1;  
FIG. 6 is a right side view of the cylindrical camera shown in FIG. 1;  
FIG. 7 is a top view of the cylindrical camera shown in FIG. 1; and,  
FIG. 8 is a bottom view of the cylindrical camera shown in FIG. 1.

The broken lines depict portions of the cylindrical camera in which the design is embodied that form no part of the claimed design.

**1 Claim, 6 Drawing Sheets**



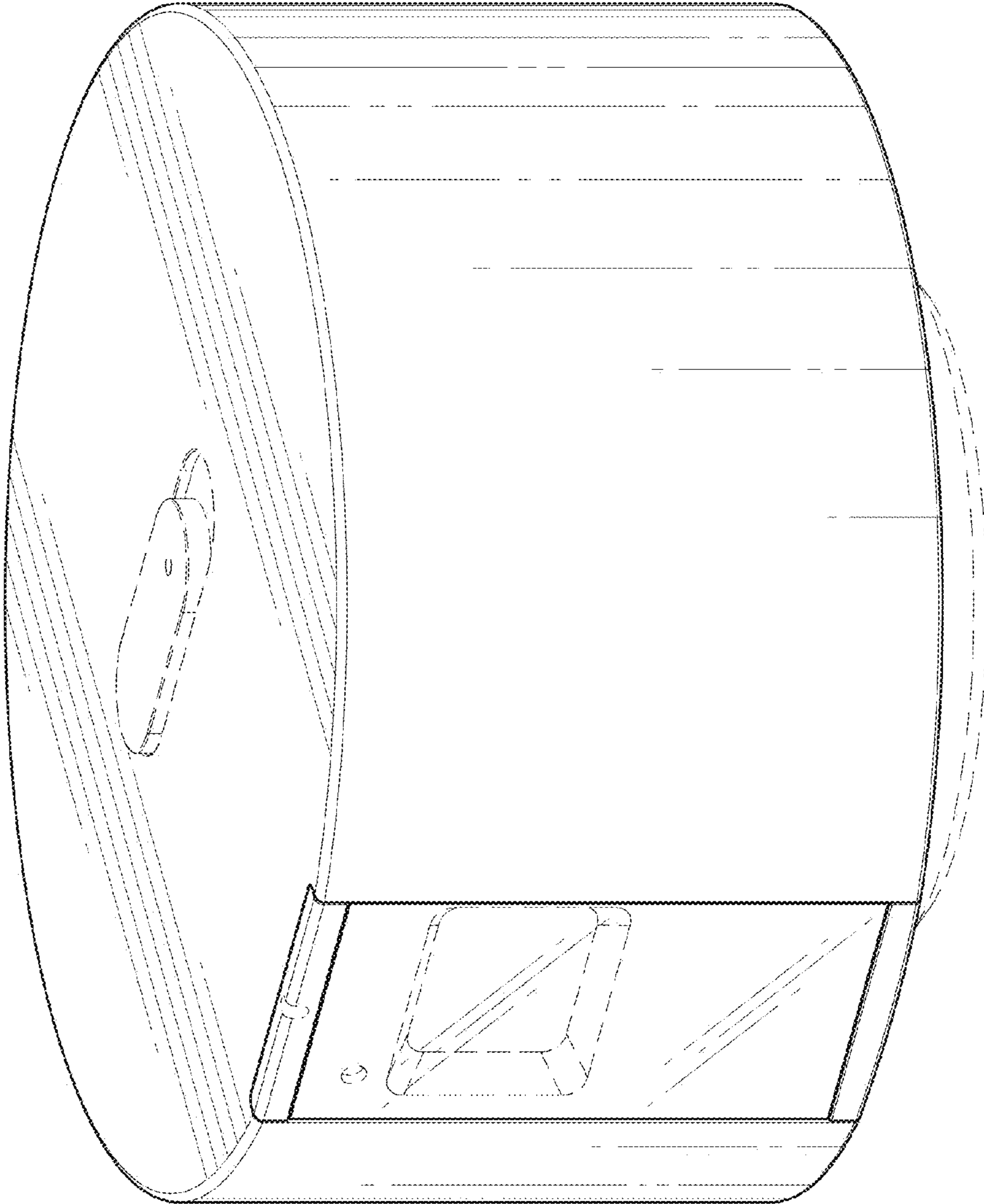


Fig. 1

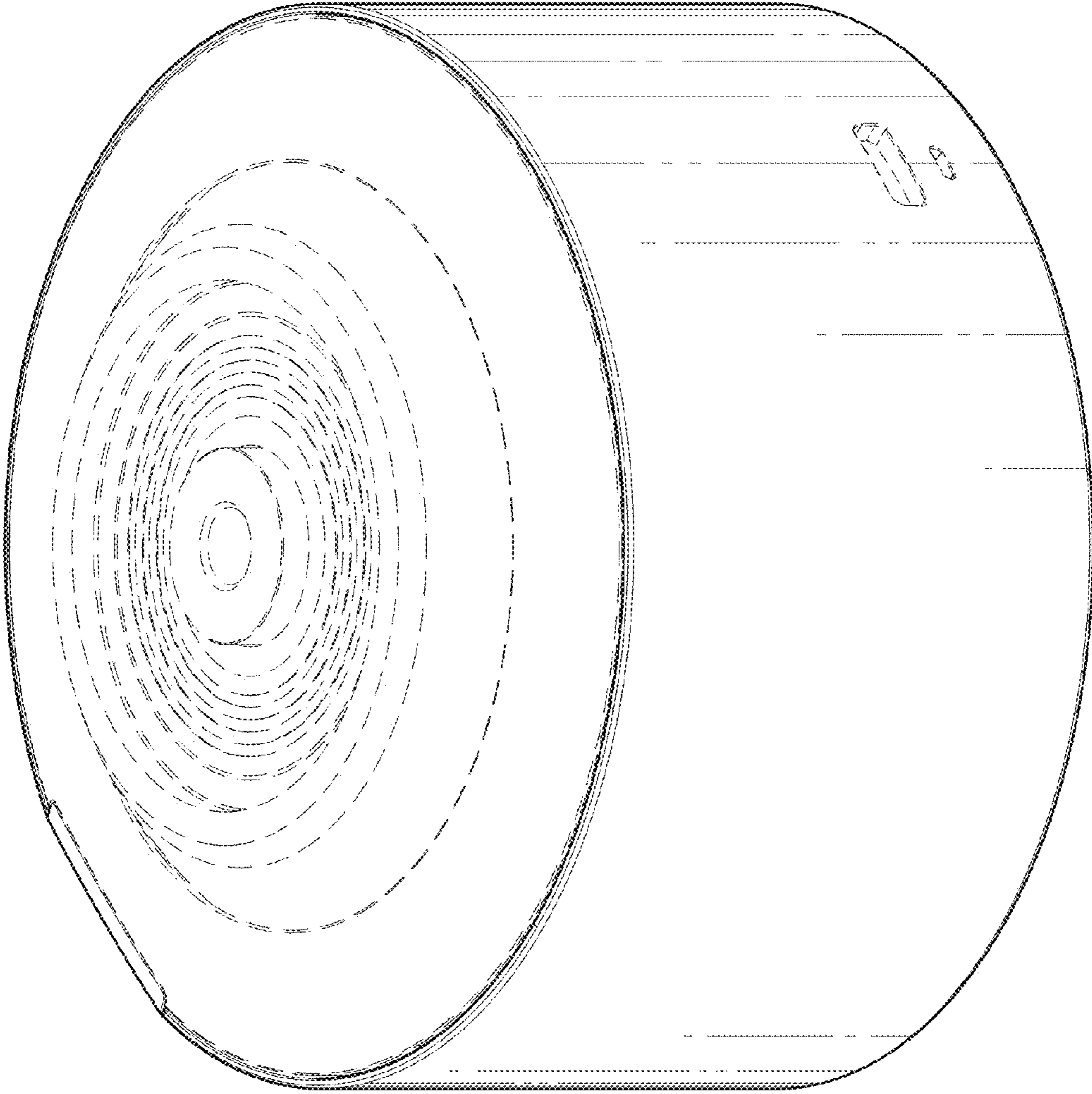
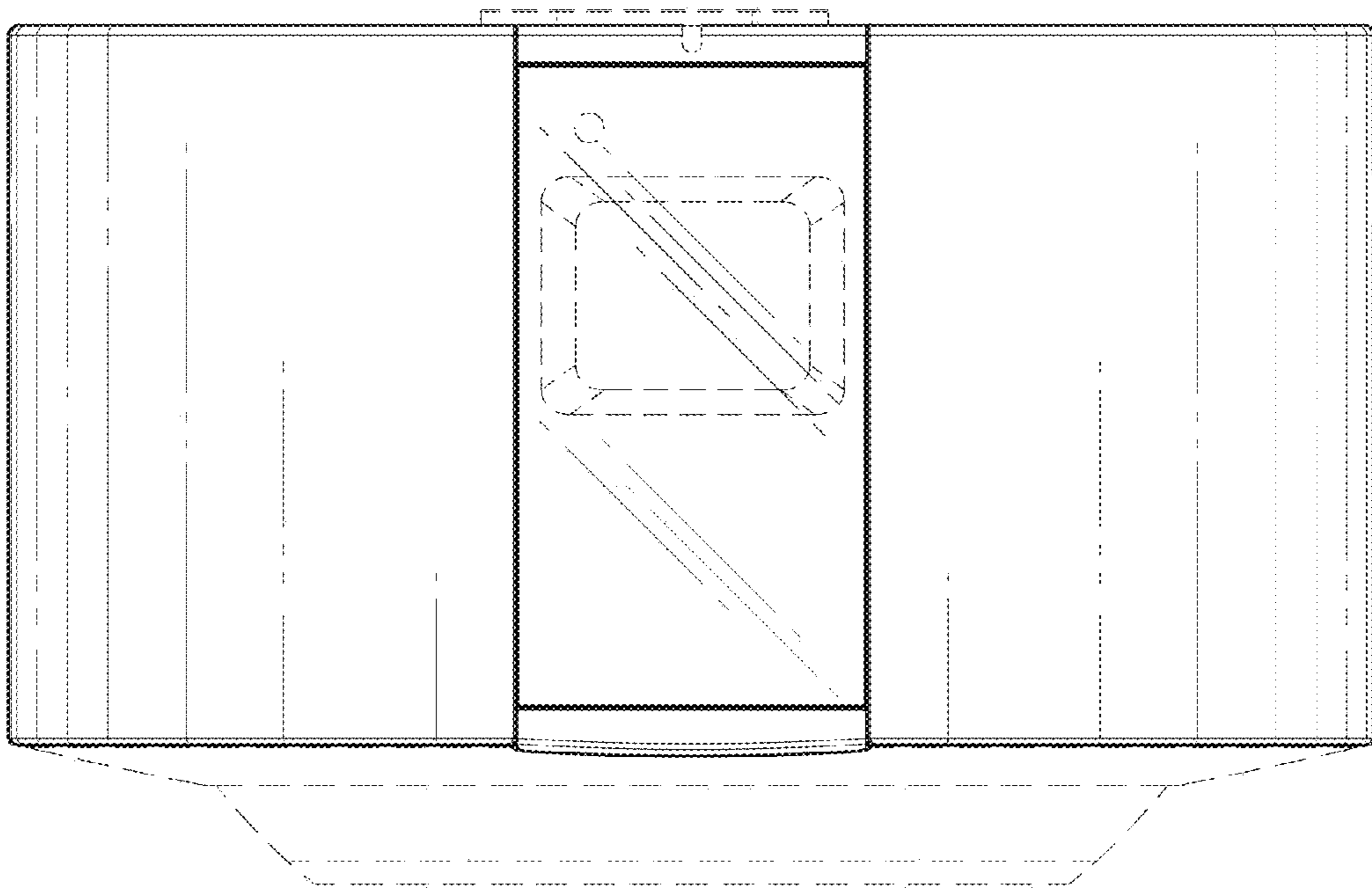
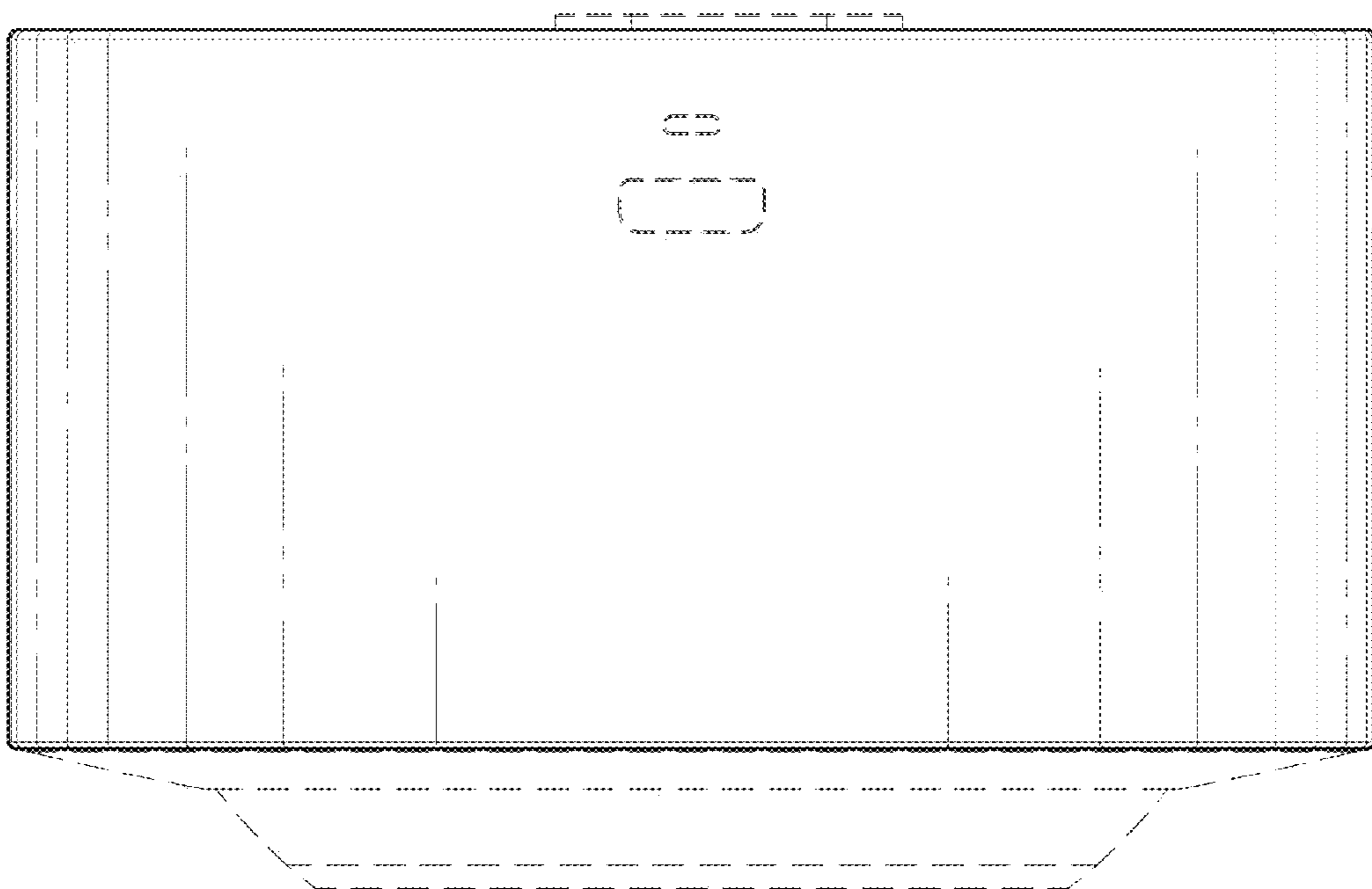


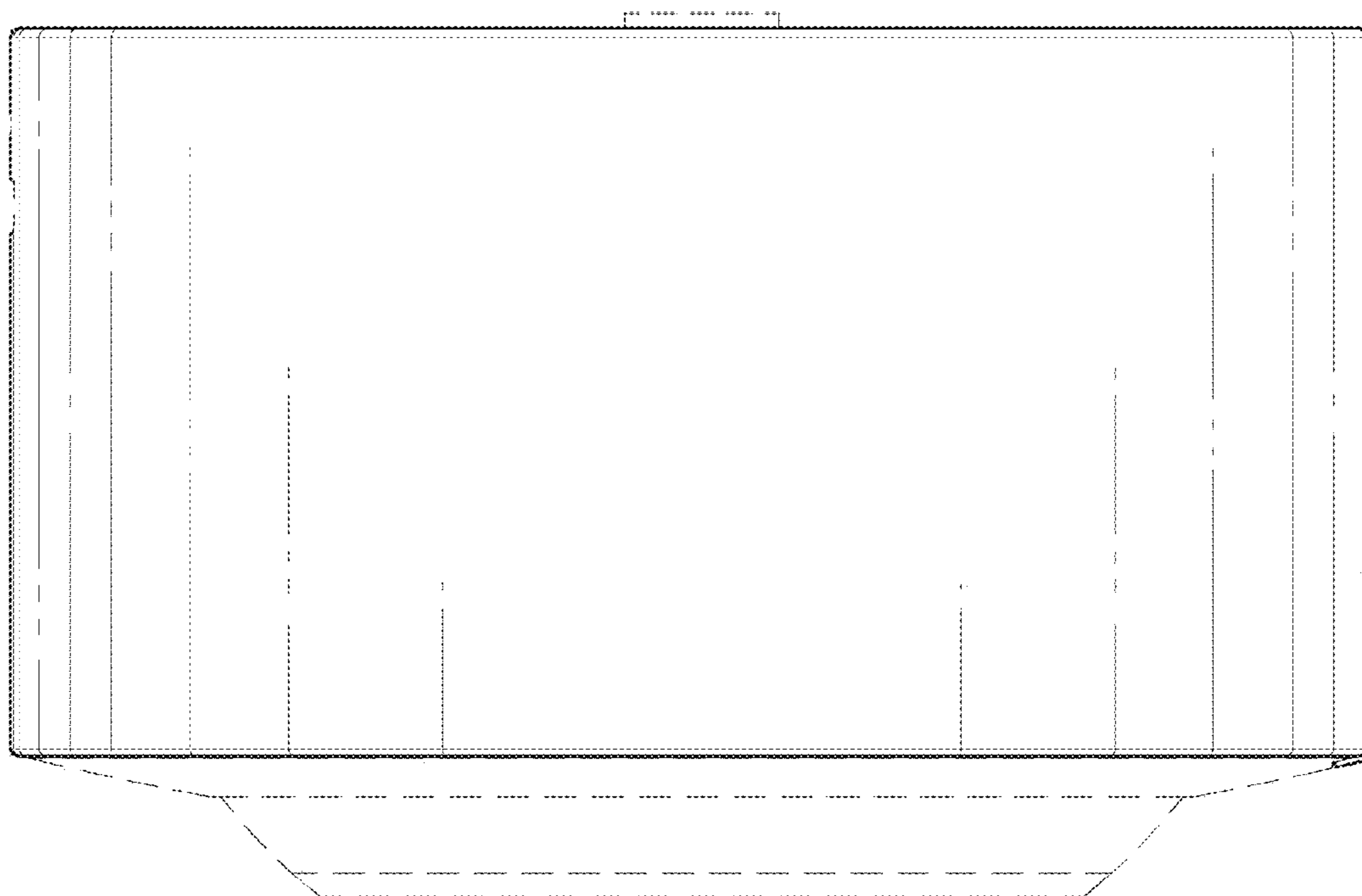
Fig. 2



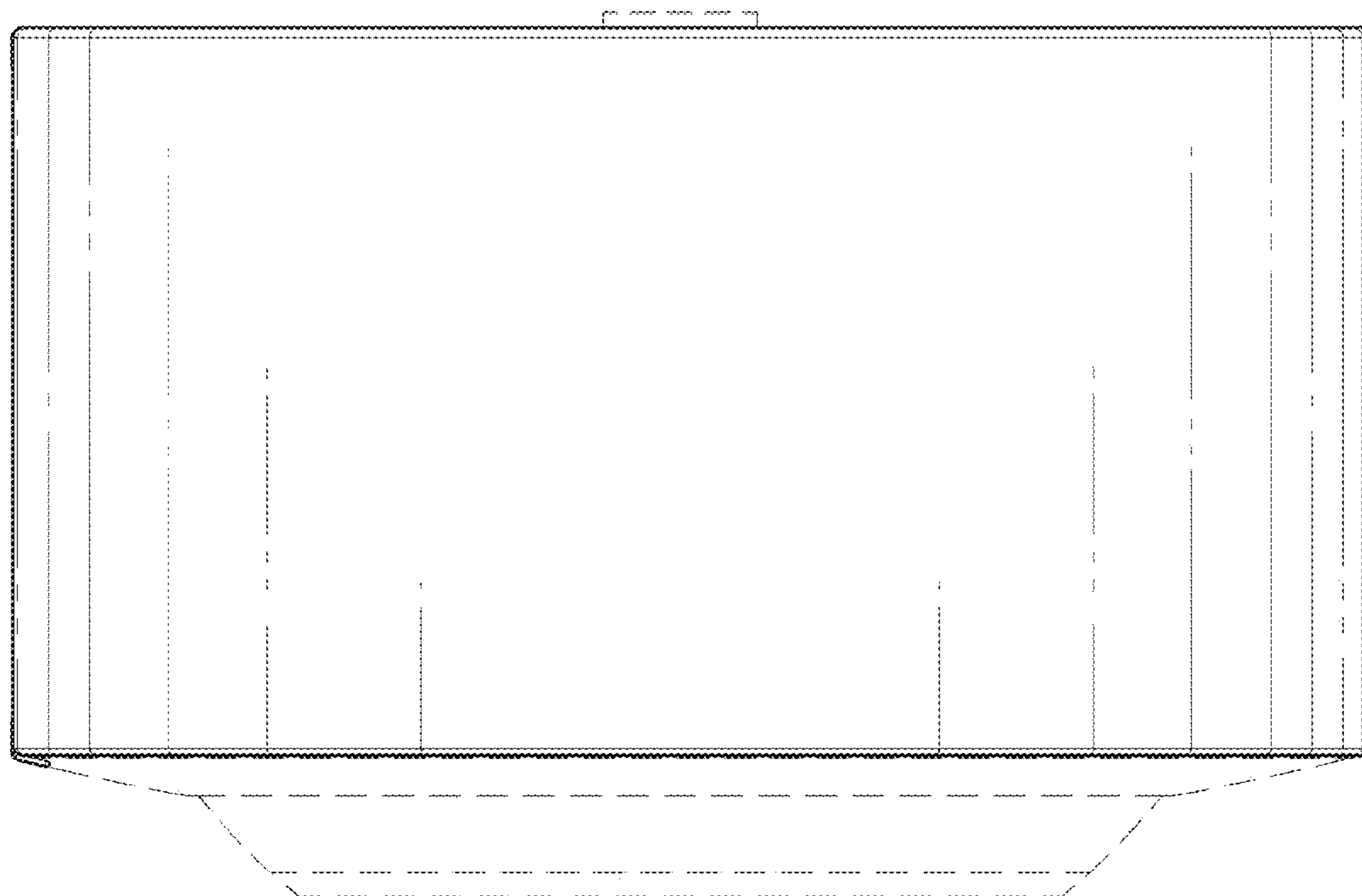
*Fig. 3*



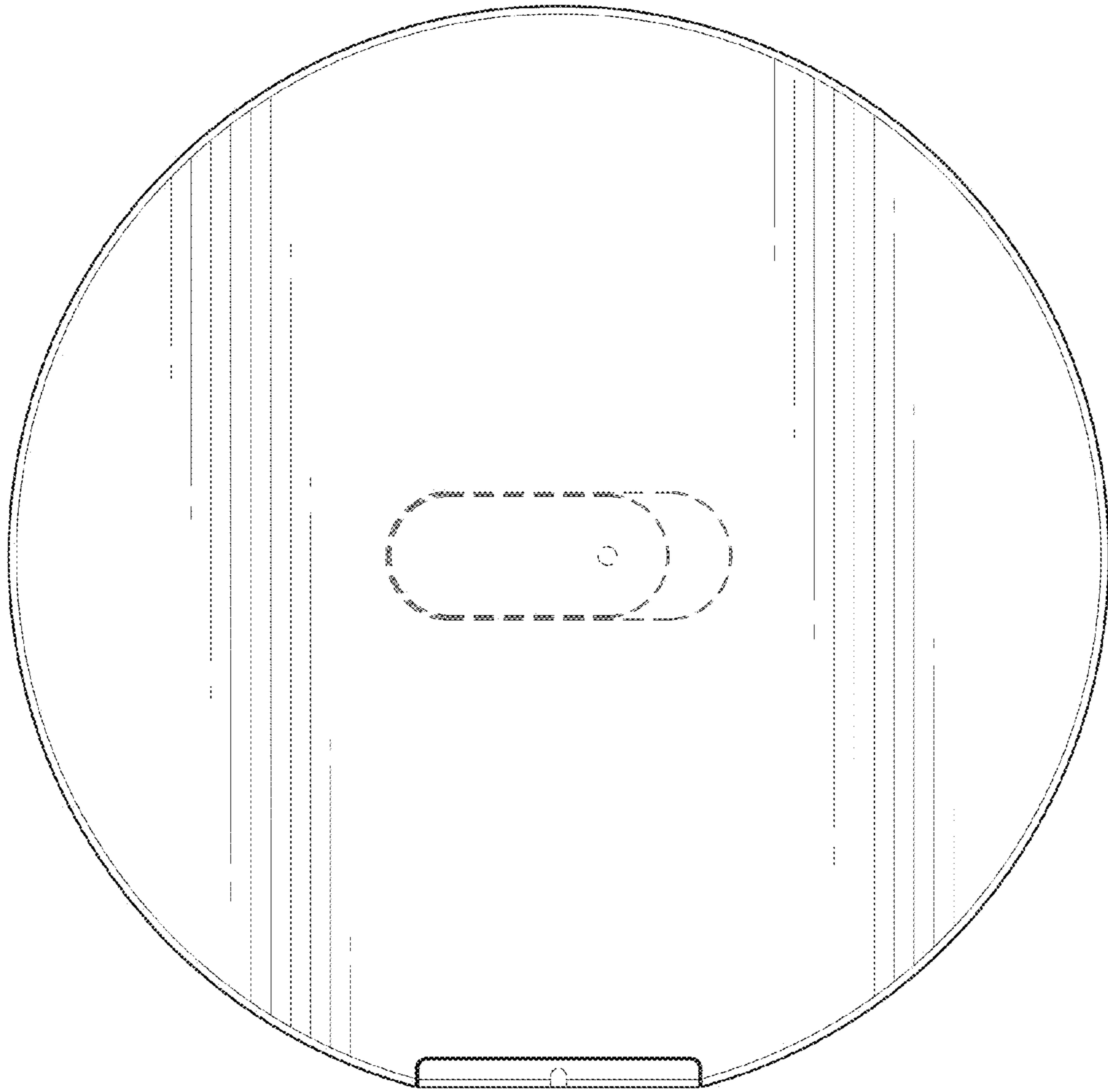
*Fig. 4*



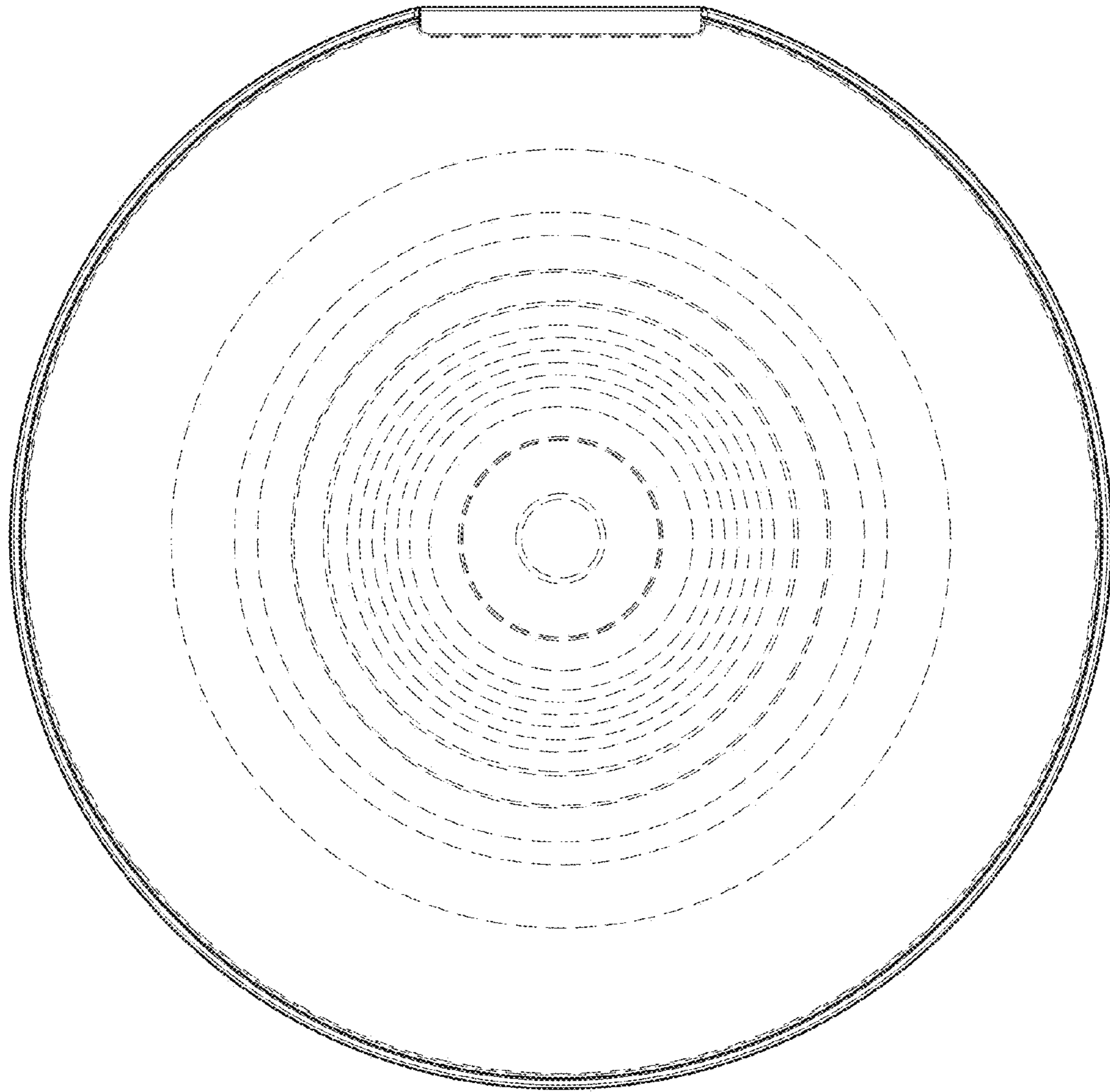
*Fig. 5*



*Fig. 6*



*Fig. 7*



*Fig. 8*