



US00D760309S

(12) **United States Design Patent**
Parfitt et al.

(10) **Patent No.:** **US D760,309 S**
(45) **Date of Patent:** **** Jun. 28, 2016**

(54) **CAMERA**

(71) Applicant: **GoPro, Inc.**, San Mateo, CA (US)
(72) Inventors: **Ben Parfitt**, Mountain View, CA (US);
Fred Bould, Menlo Park, CA (US);
Richard Gioscia, Santa Clara, CA (US)

(73) Assignee: **GoPro, Inc.**, San Mateo, CA (US)

(**) Term: **14 Years**

(21) Appl. No.: **29/492,290**

(22) Filed: **May 30, 2014**

(51) **LOC (10) Cl.** **16-01**

(52) **U.S. Cl.**
USPC **D16/202**

(58) **Field of Classification Search**
USPC D16/200, 202–206, 208, 209, 218, 219;
348/294, 373–376; 359/826; 396/6,
396/301, 529, 535, 539–541
CPC G03B 15/03; G03B 17/02; G03B 17/04;
G03B 17/56; G03B 19/04; H04N 5/2251;
H04N 5/2252; H04N 5/2253; H04N 5/2254;
H04N 2101/00
See application file for complete search history.

(56) **References Cited**

U.S. PATENT DOCUMENTS

D321,705 S *	11/1991	Ohmura	D16/200
D338,220 S *	8/1993	Kohno	D16/200
D392,659 S *	3/1998	Takano	D16/200
6,233,400 B1 *	5/2001	Muramatsu	G03B 17/02 396/284
D532,029 S *	11/2006	Kim	D16/202
D532,030 S *	11/2006	Yoshida	D16/202
D532,433 S *	11/2006	Sato	D16/202
D533,574 S *	12/2006	Hamamura	D16/202
D534,564 S *	1/2007	Tainaka	D16/202

D538,322 S *	3/2007	Horikiri	D16/202
7,626,621 B2 *	12/2009	Ito	H04N 5/2253 348/294
7,683,968 B2 *	3/2010	Hagihara	G02B 27/0006 348/335
2005/0019029 A1 *	1/2005	Kawakami	A45C 11/38 396/6

* cited by examiner

Primary Examiner — Susan E Krakower

Assistant Examiner — Ramzi Almatrahi

(74) *Attorney, Agent, or Firm* — Fenwick & West LLP

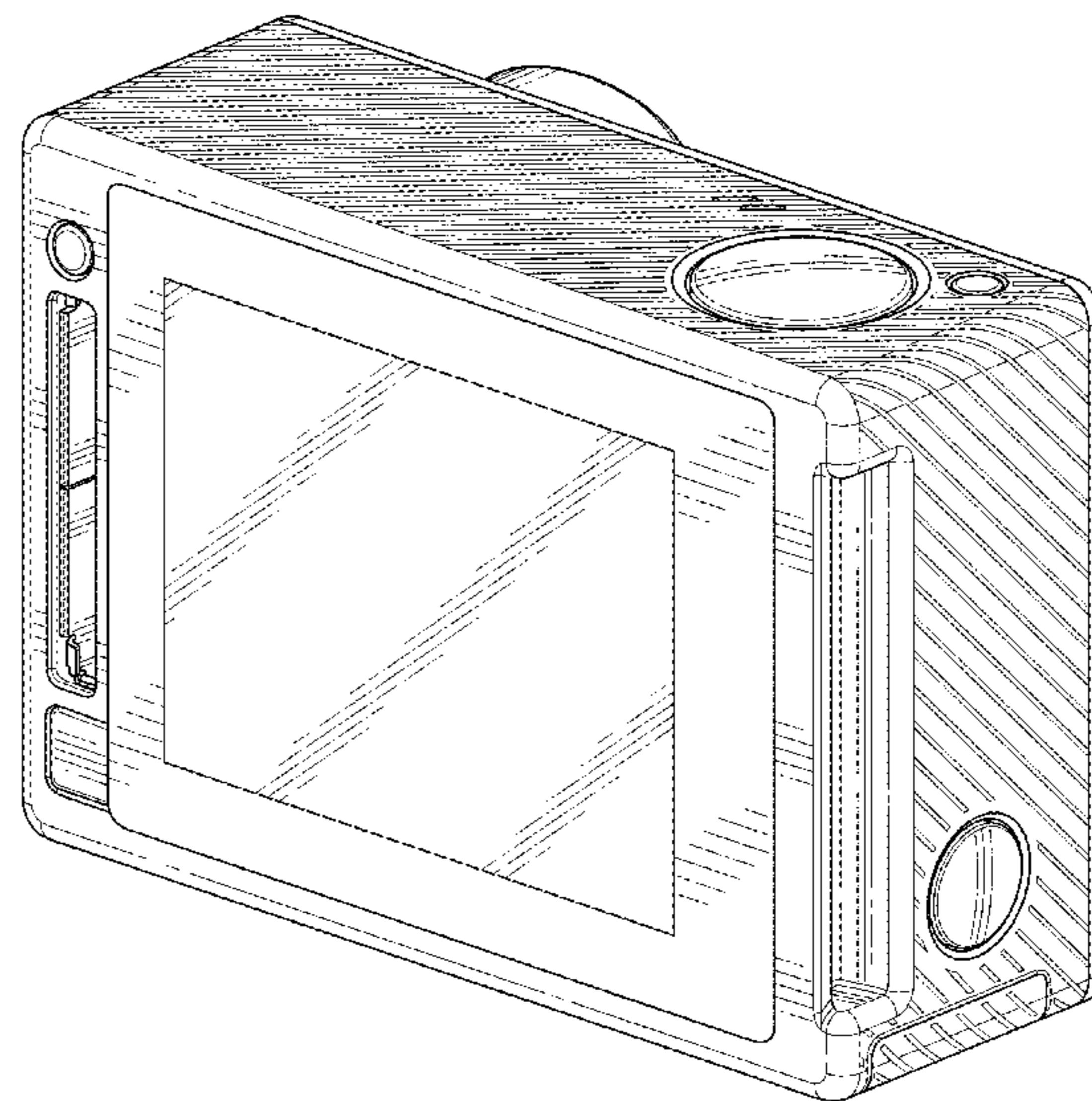
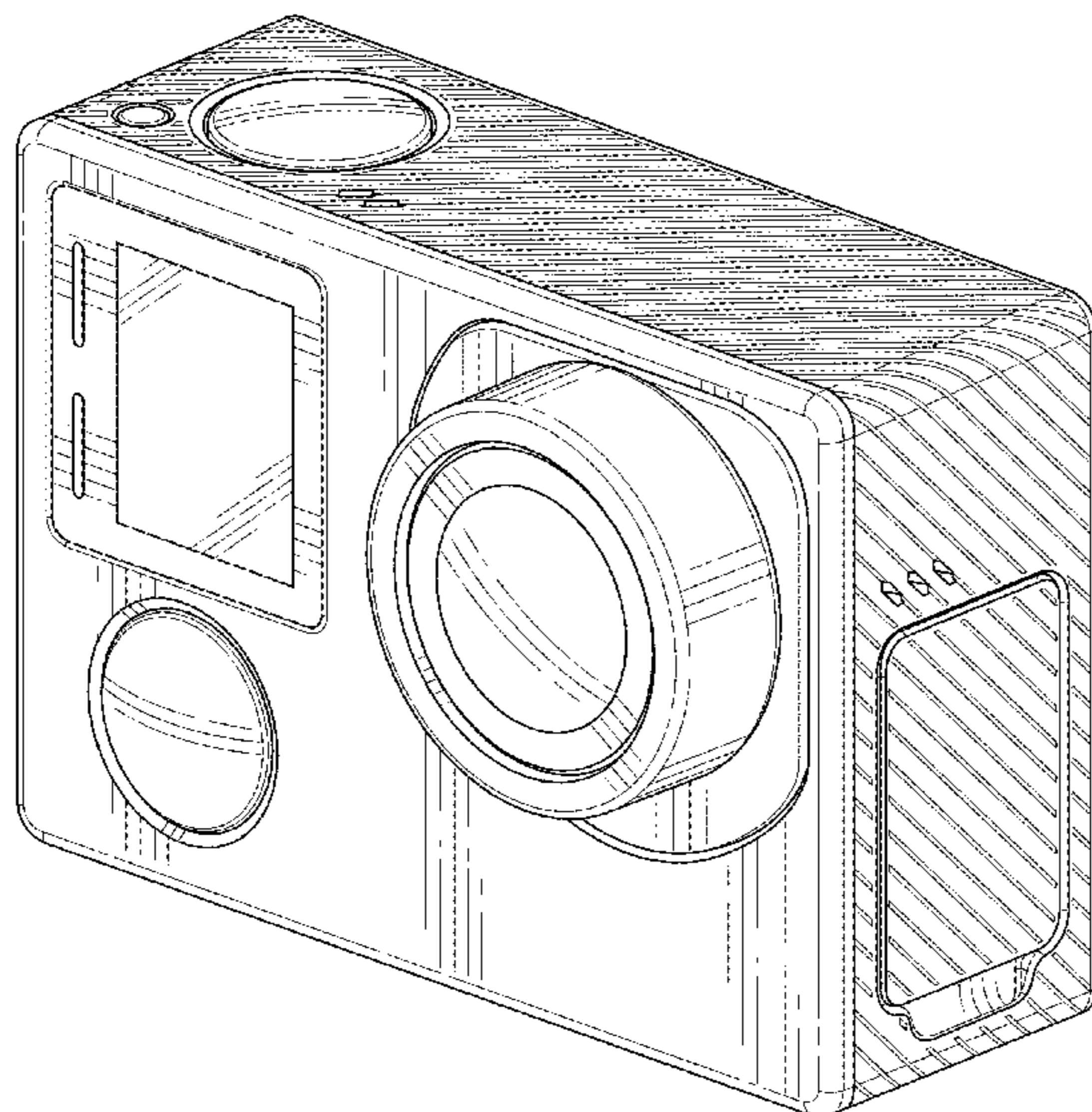
(57) **CLAIM**

The ornamental design for a camera, as shown and described.

DESCRIPTION

FIG. 1 is a front, top and right side perspective view of a first embodiment of a camera showing our new design; FIG. 2 is a front, bottom and left side perspective view thereof; FIG. 3 is a back, top and left side perspective view thereof; FIG. 4 is a back, bottom and right side perspective view thereof; FIG. 5 is a front elevational view thereof; FIG. 6 is a back elevational view thereof; FIG. 7 is a right side elevational view thereof; FIG. 8 is a left side elevational view thereof; FIG. 9 is a top plan view thereof; FIG. 10 is a bottom plan view thereof; FIG. 11 is a front elevational view of a second embodiment of a camera; FIG. 12 is a left side elevational view of a third embodiment of a camera; and, FIG. 13 is a top plan view of a fourth embodiment of a camera. The broken lines depict portions of the camera in which the design is embodied that form no part of the claimed design.

1 Claim, 13 Drawing Sheets



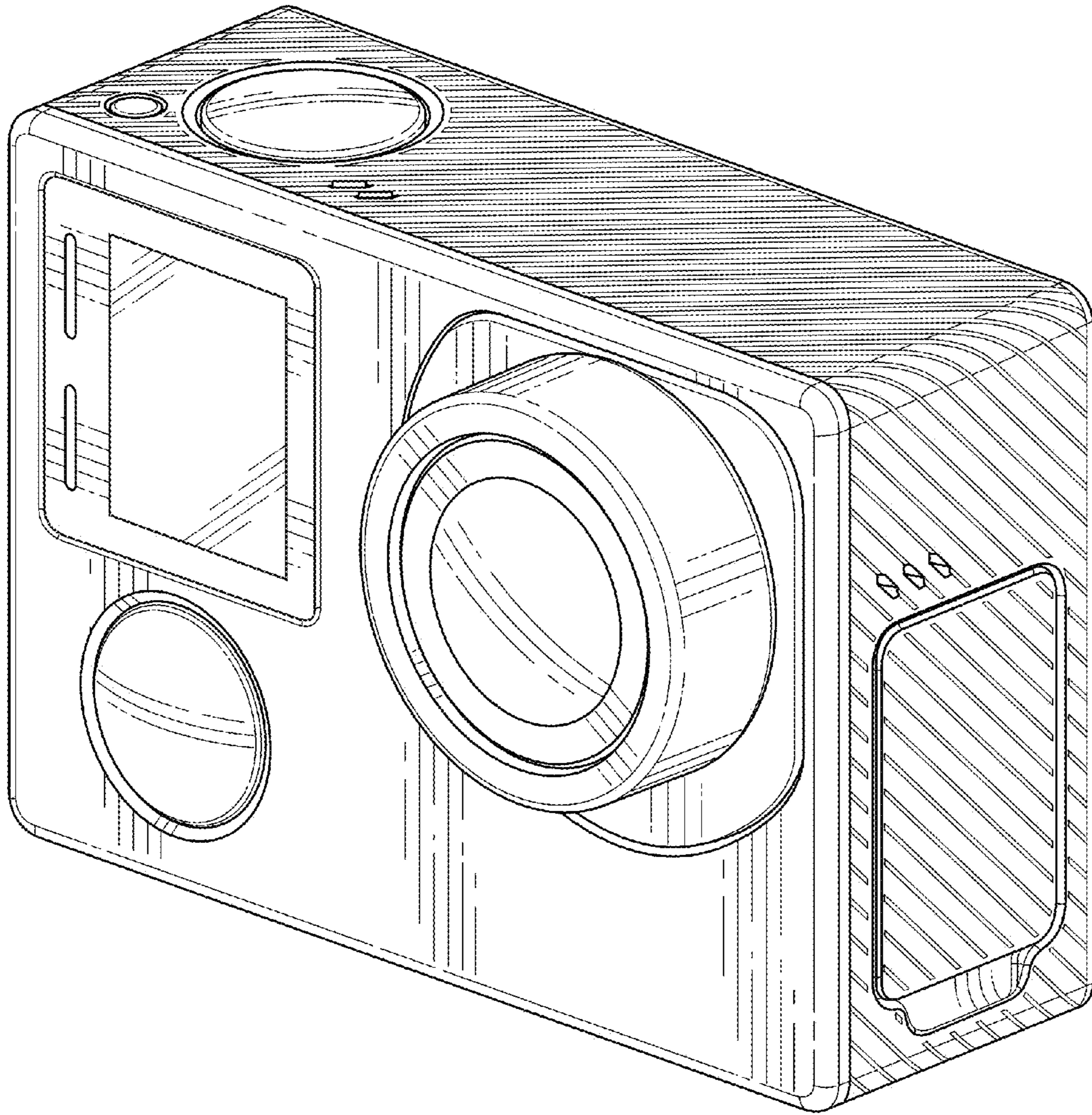


FIG. 1

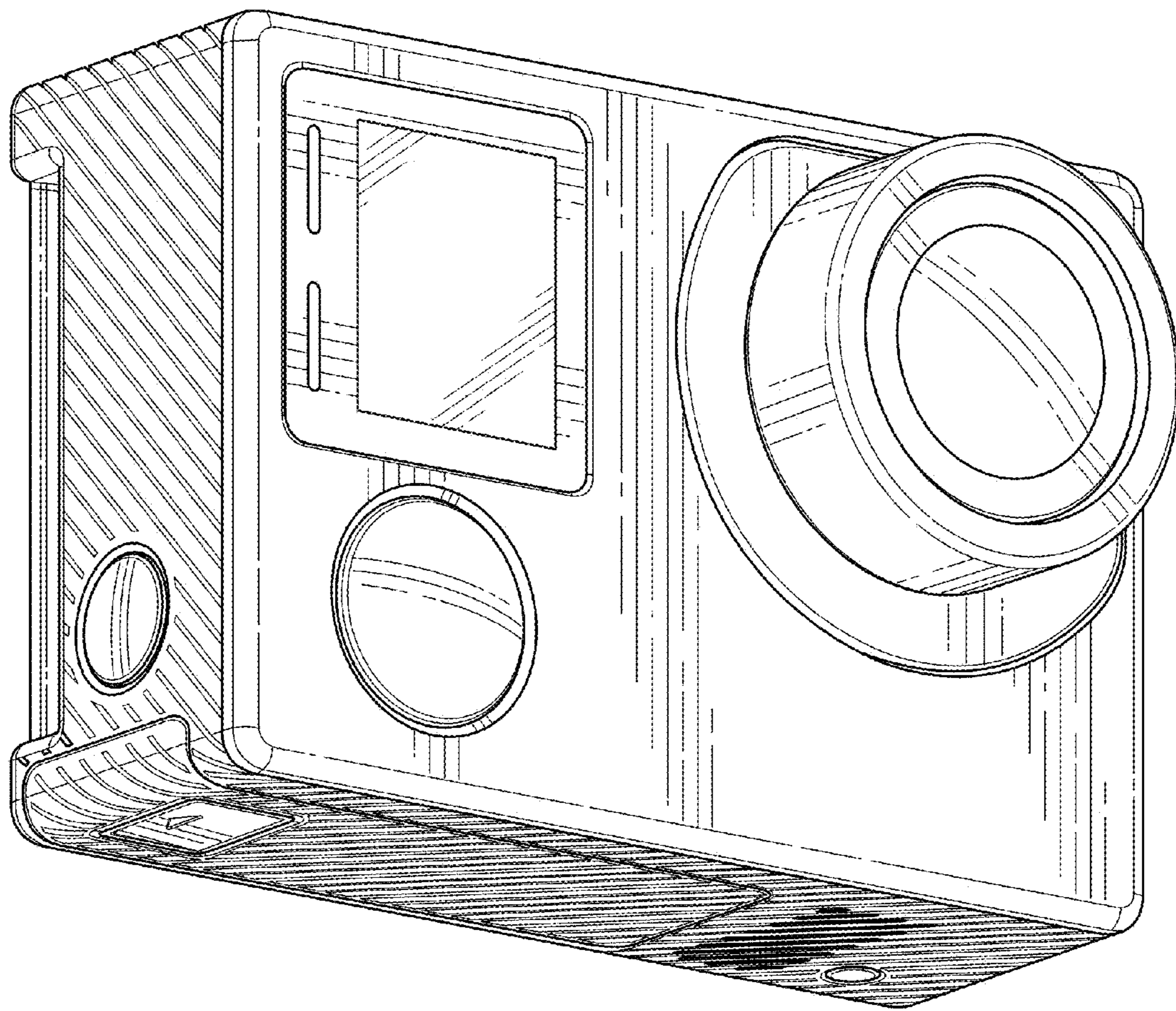


FIG. 2

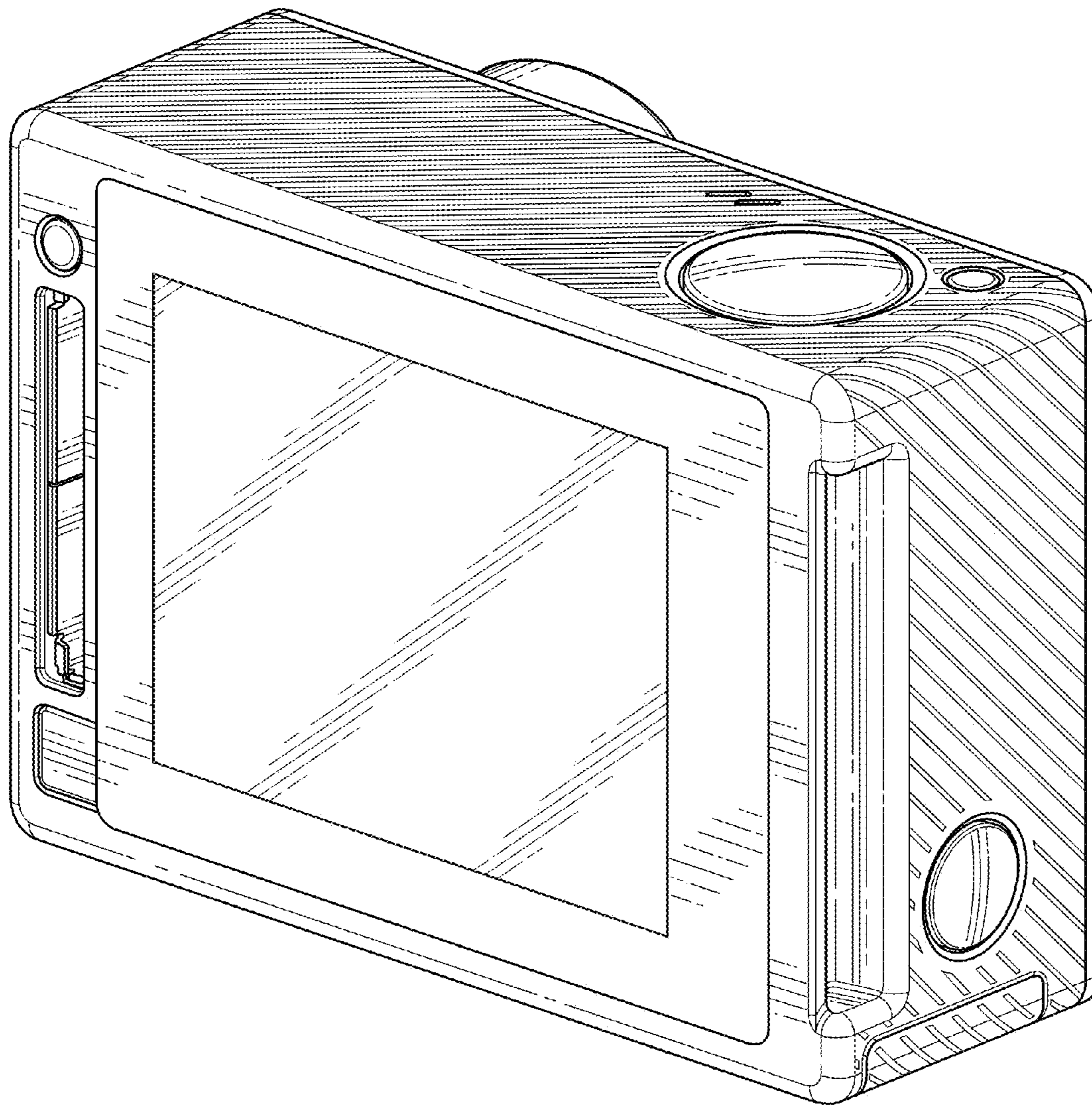


FIG. 3

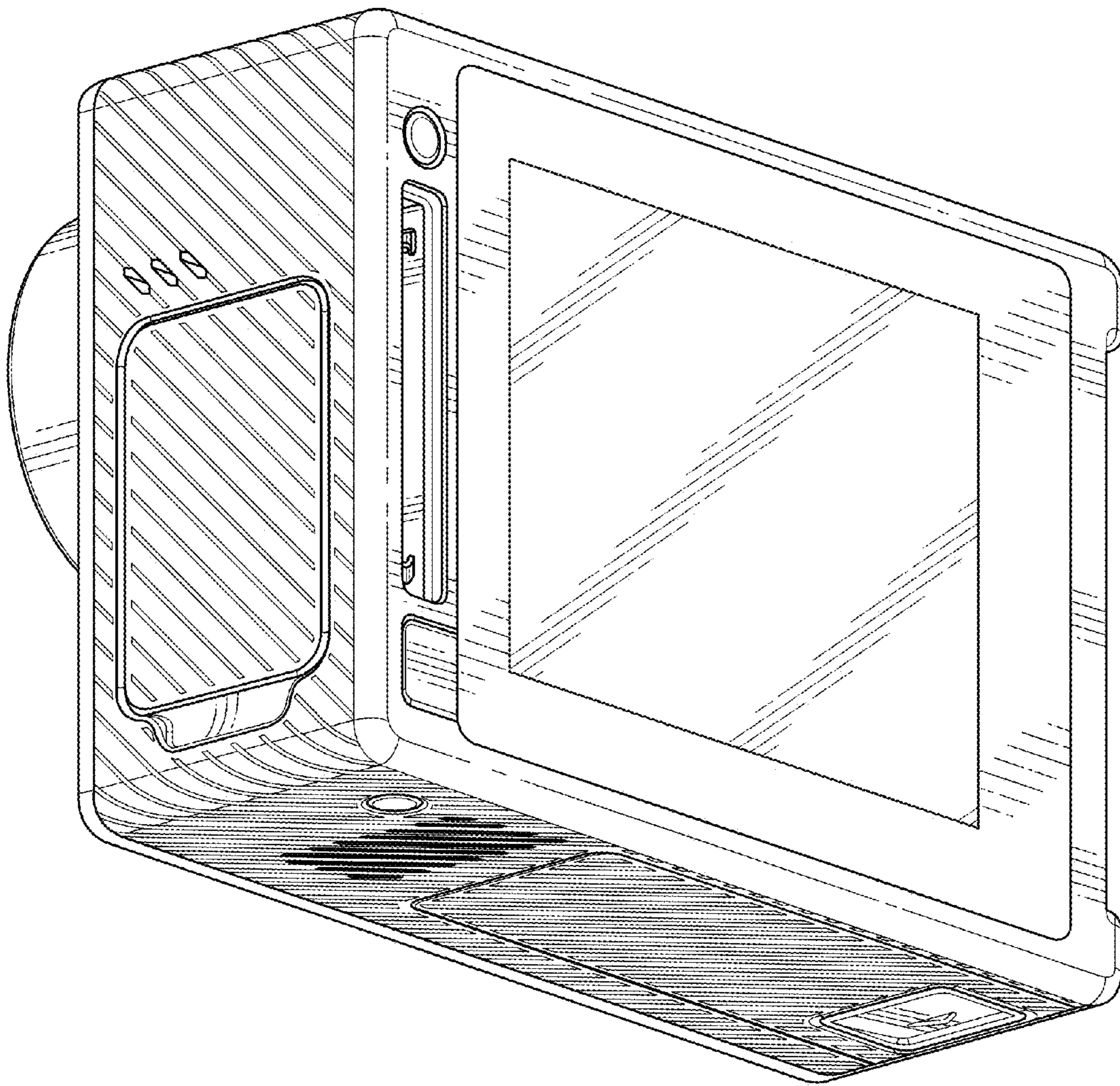


FIG. 4

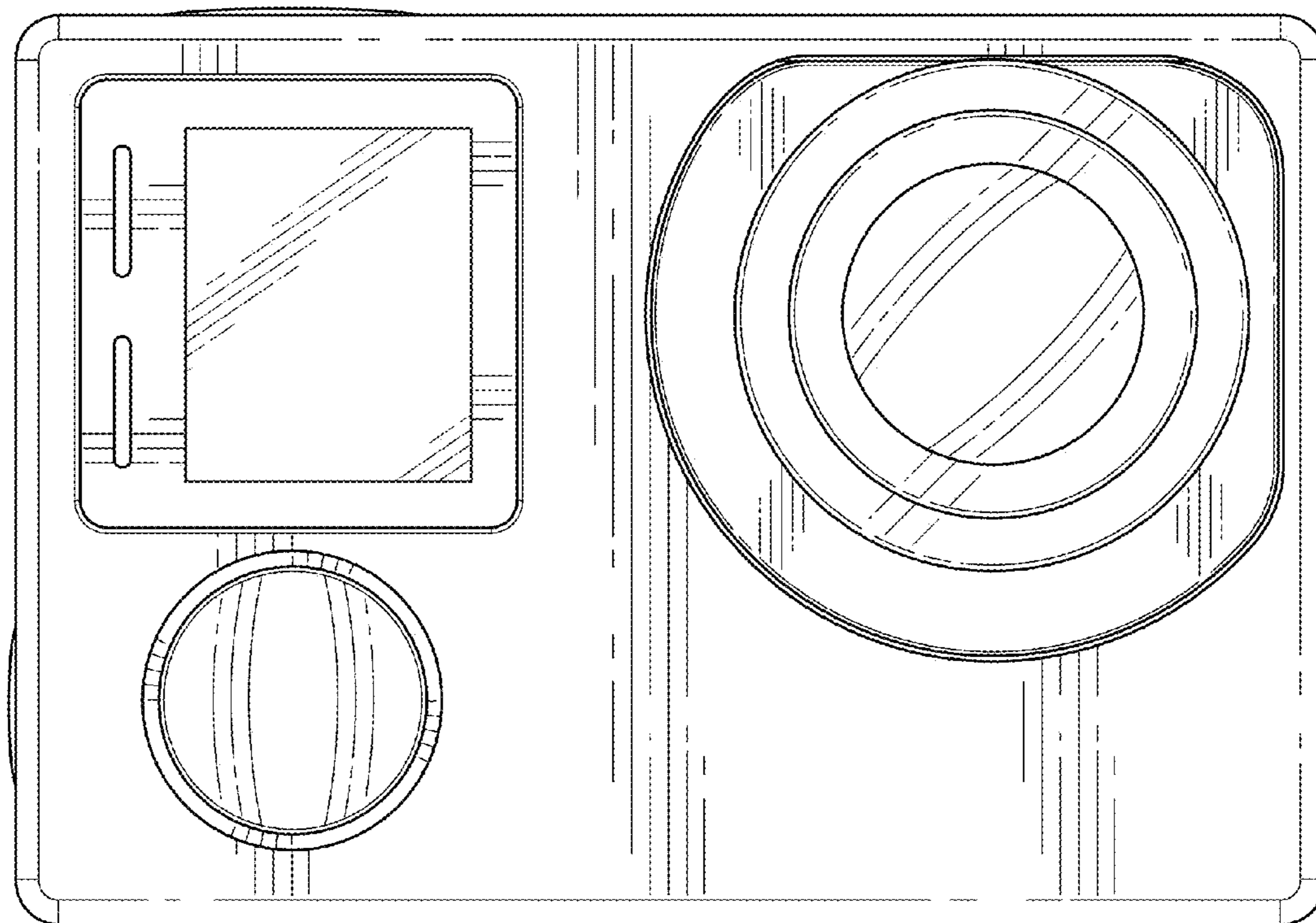


FIG. 5

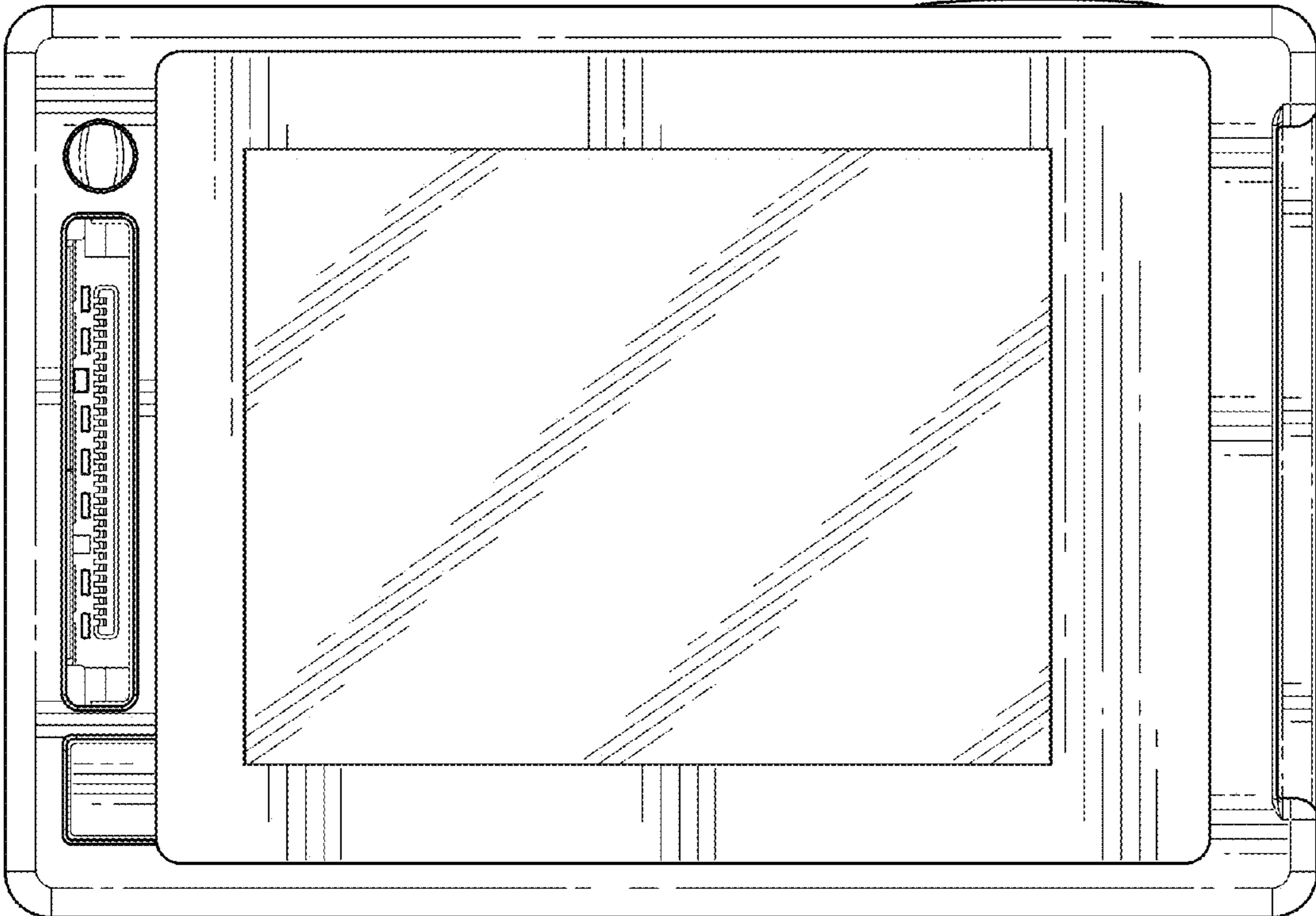


FIG. 6

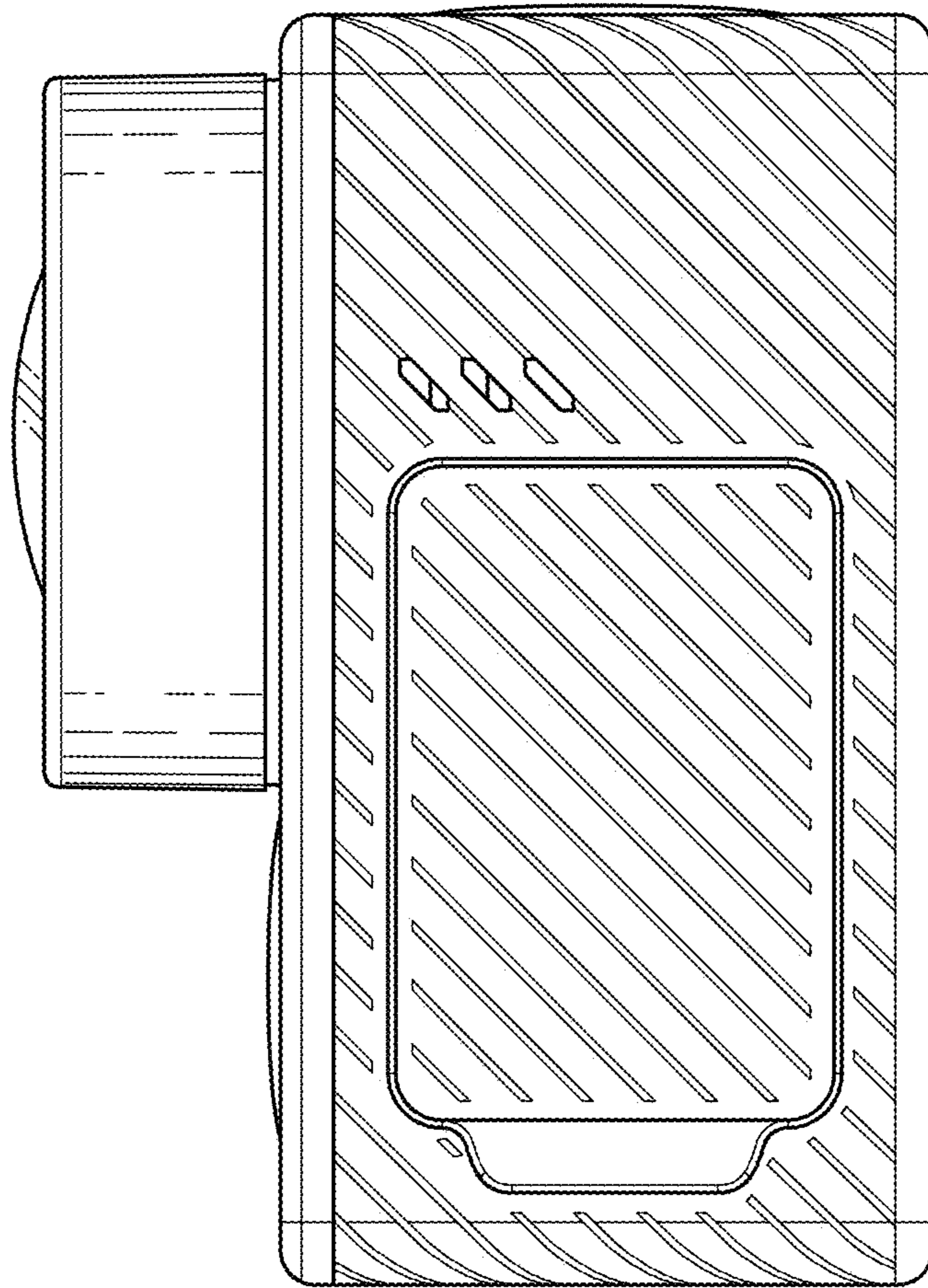


FIG. 7

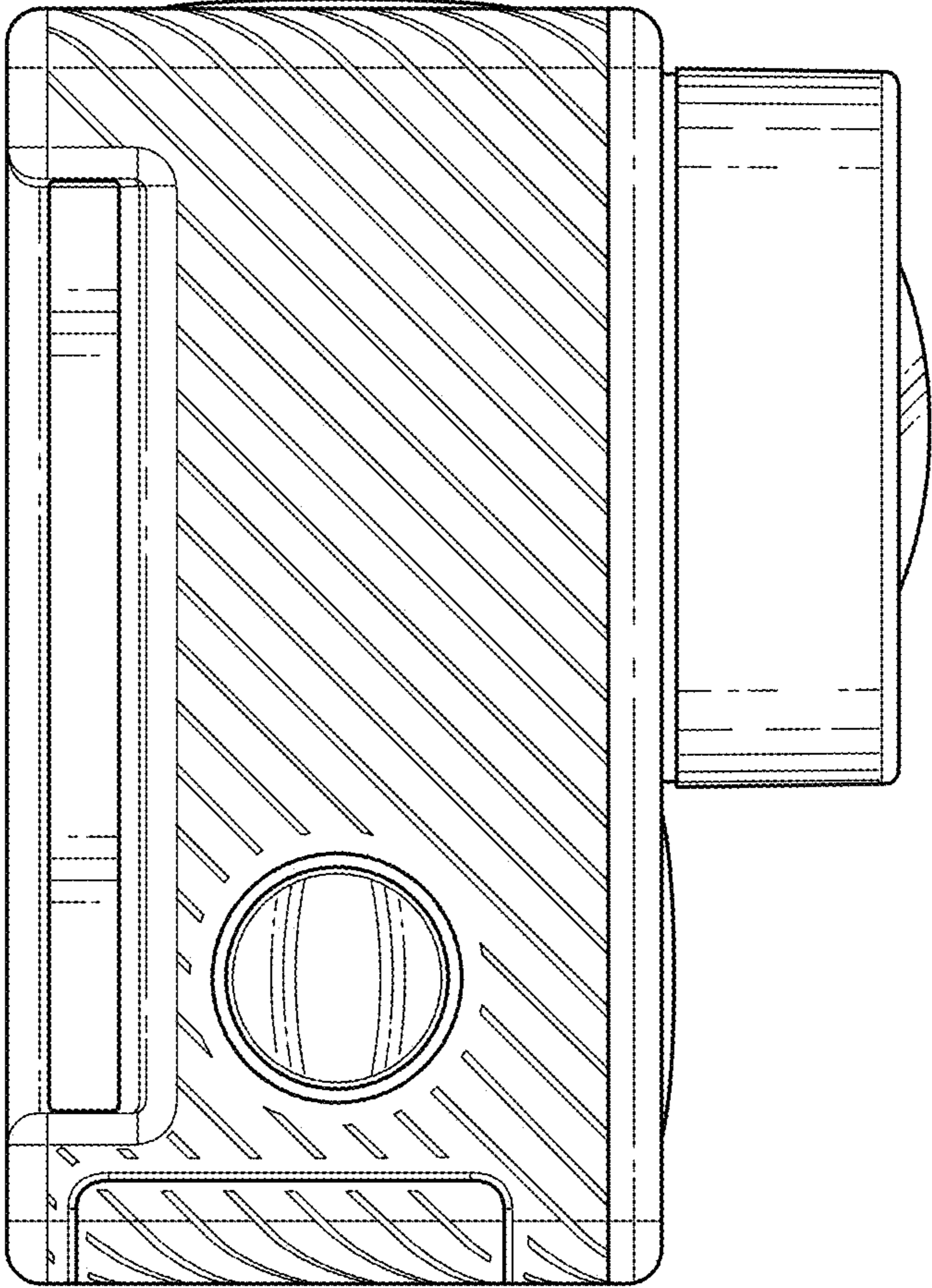


FIG. 8

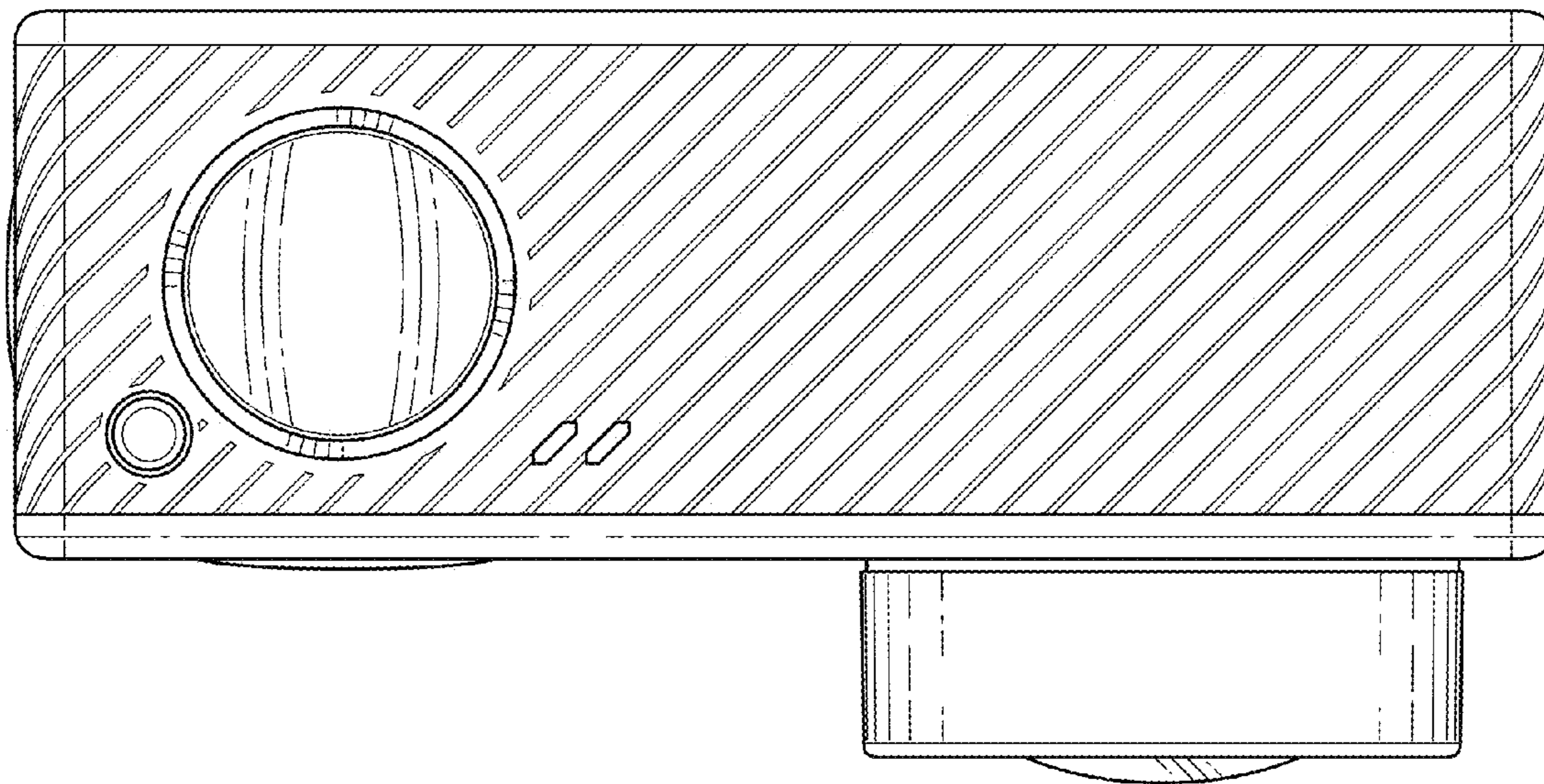


FIG. 9

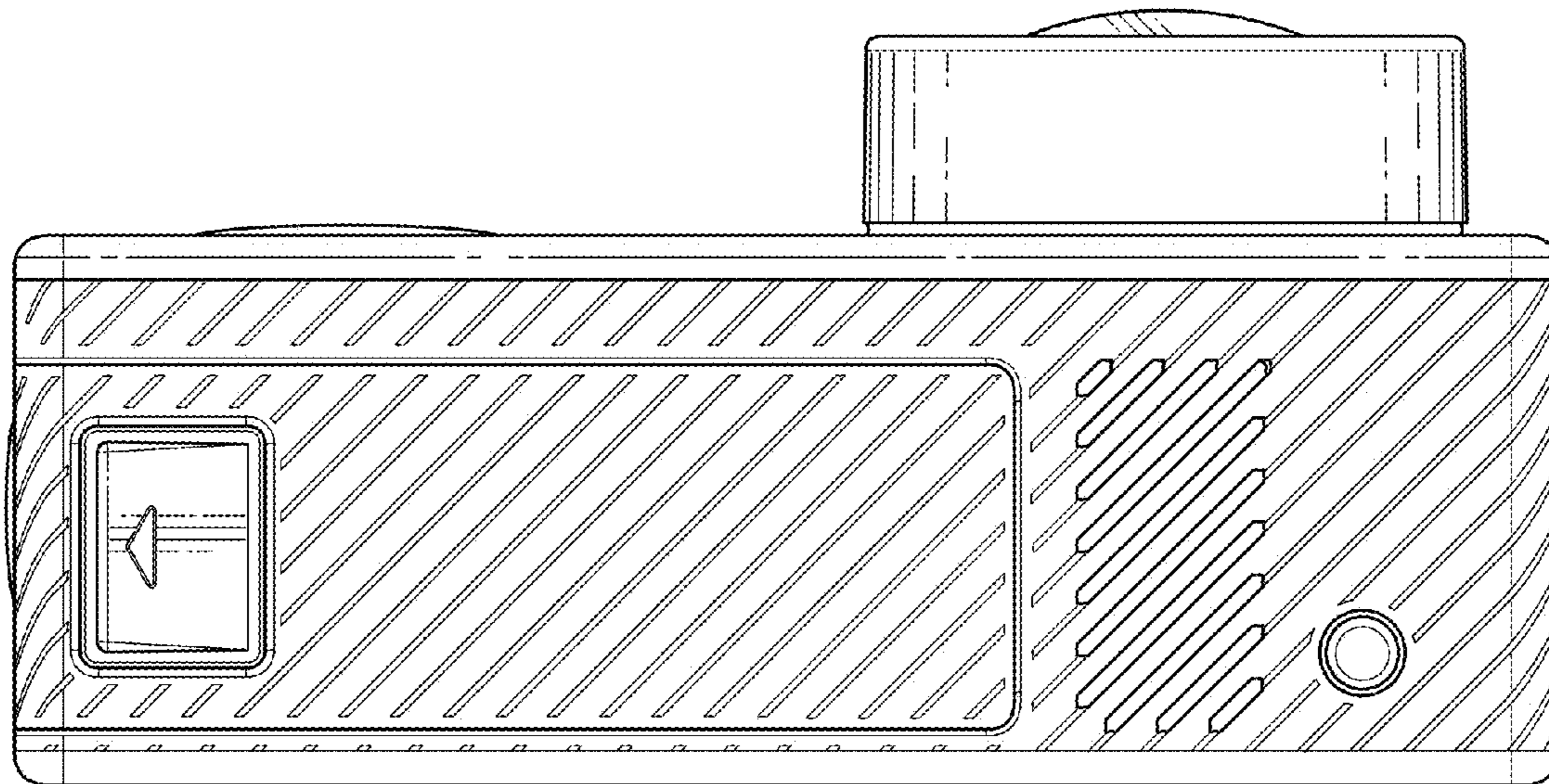


FIG. 10

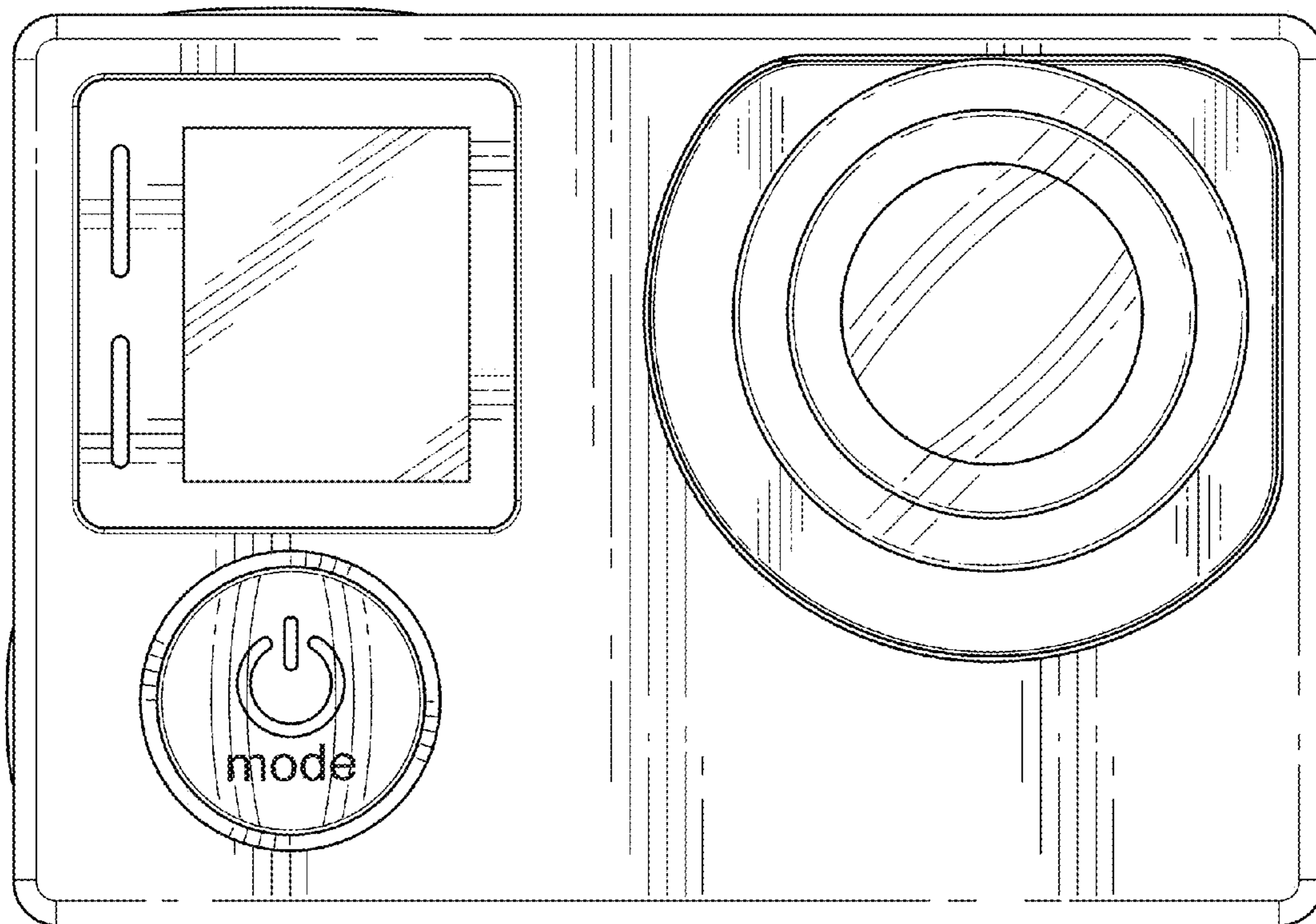


FIG. 11

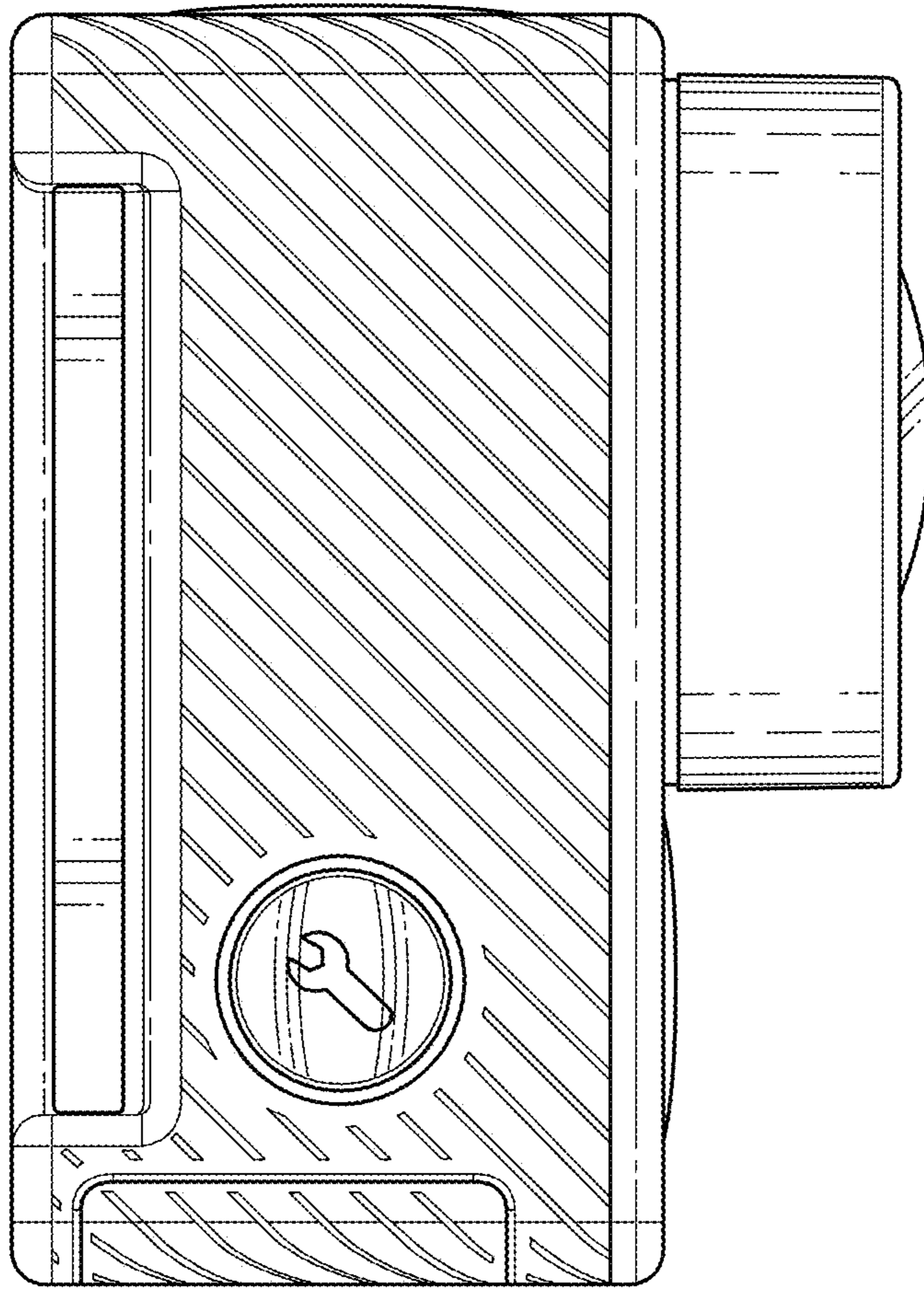


FIG. 12

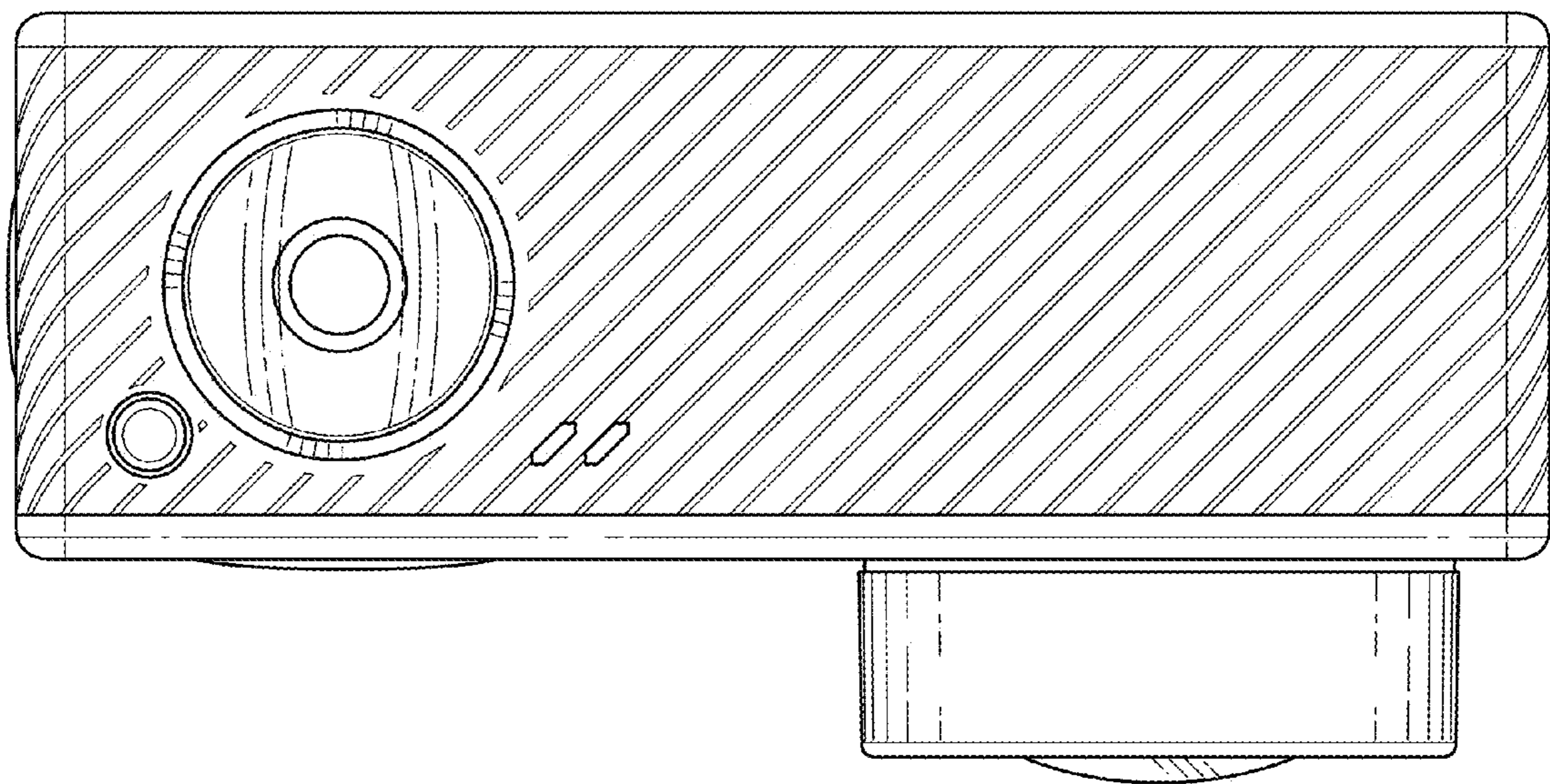


FIG. 13