

US00D760307S

(12) **United States Design Patent**
Koike

(10) **Patent No.:** **US D760,307 S**
(45) **Date of Patent:** **** Jun. 28, 2016**

(54) CUTTING WORK BODY	6,595,727 B2 * 7/2003 Arvidsson B23C 5/006 407/35
(71) Applicant: Sumitomo Electric Hardmetal Corp., Itami-shi (JP)	D519,533 S * 4/2006 Frey D15/139 D522,544 S * 6/2006 Frey D15/139 D532,023 S * 11/2006 Frey D15/139 D532,024 S * 11/2006 Frey D15/139 D620,510 S * 7/2010 Hall D15/131 2005/0152752 A1 * 7/2005 Tran B23C 5/006 407/34
(72) Inventor: Yusuke Koike, Itami (JP)	
(73) Assignee: SUMITOMO ELECTRIC HARDMETAL CORP., Itami-shi (JP)	

(Continued)

(**) Term: **14 Years**

Primary Examiner — Susan Bennett Hattan

Assistant Examiner — Brett Miller

(21) Appl. No.: **29/508,963**

(74) *Attorney, Agent, or Firm* — Venable LLP; Michael A. Sartori; Tamatane J. Aga

(22) Filed: **Nov. 12, 2014**

(30) **Foreign Application Priority Data**

May 12, 2014 (JP) D2014-010113

(51) **LOC (10) Cl.** **15-09**

(52) **U.S. Cl.**
USPC **D15/139**

(58) **Field of Classification Search**
USPC D15/124-144, 11, 19, 28-32;
D8/16-20; 409/137, 139-140;
D32/46-49; 299/39.2
CPC E01C 23/088; Y10T 407/23; B23B 51/02;
B23B 51/048; B23C 5/2221; B23C 5/109
See application file for complete search history.

(56) **References Cited**

U.S. PATENT DOCUMENTS

2,411,784 A *	11/1946	Goldsmith	B23C 5/18 407/31
6,254,316 B1 *	7/2001	Strand	B23C 5/202 407/114
6,508,612 B1 *	1/2003	Baca	B23C 5/006 407/113

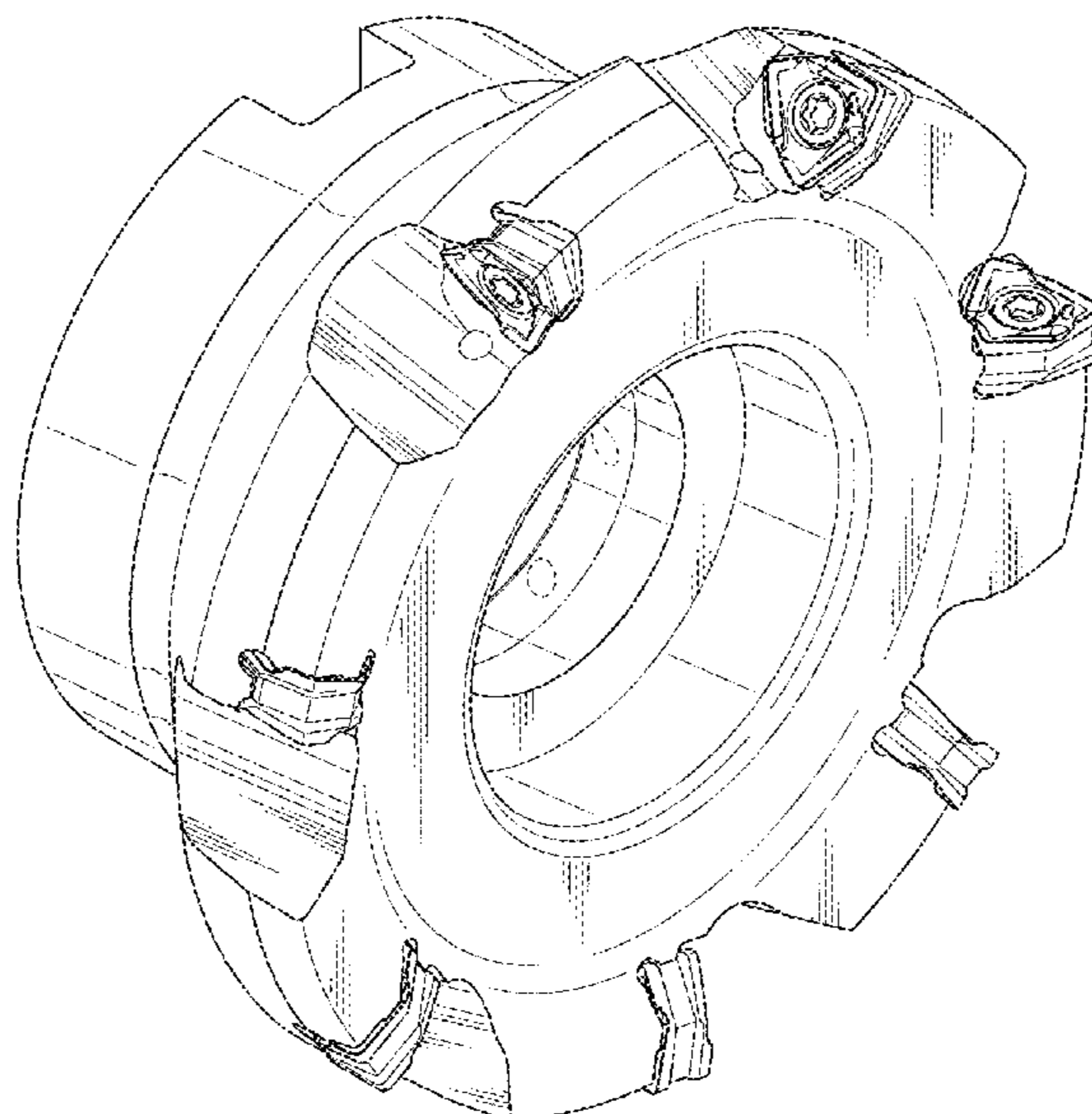
(57) **CLAIM**

The ornamental design for a cutting work body, as shown and described.

DESCRIPTION

FIG. 1 is a top perspective view of a cutting work body showing my new design;
 FIG. 2 is a front view thereof;
 FIG. 3 is a rear view thereof;
 FIG. 4 is a left side view thereof;
 FIG. 5 is a right side view thereof;
 FIG. 6 is a top view thereof;
 FIG. 7 is a bottom view thereof;
 FIG. 8 is a cross-sectional view thereof, taken along line 8-8 in FIG. 6;
 FIG. 9 is the top view thereof; and,
 FIG. 10 is a cross-sectional view thereof, taken along line 11-11 in FIG. 9.
 The broken lines shown in the drawings represent portions of the cutting work body that form no part of the claimed design.

1 Claim, 10 Drawing Sheets



(56)

References Cited

U.S. PATENT DOCUMENTS

2009/0214305	A1 *	8/2009	Waggle	B23C 5/06 407/48	2011/0038677	A1 *	2/2011	Sung	B23C 5/06 407/48
2009/0285646	A1 *	11/2009	Oprasic	B23C 5/06 407/114	2011/0135406	A1 *	6/2011	Ishida	B23C 5/06 407/40
2010/0150671	A1 *	6/2010	Oprasic	B23C 5/207 407/42	2012/0301235	A1 *	11/2012	Yoshioka	B23C 5/06 407/100
2010/0158620	A1 *	6/2010	Spitzenberger	B23C 5/006 407/40	2013/0156515	A1 *	6/2013	Satran	B23C 5/207 407/48
2011/0020080	A1 *	1/2011	Zettler	B23C 5/06 407/113	2014/0314509	A1 *	10/2014	Yamamichi	B23C 5/207 409/132
2011/0027024	A1 *	2/2011	Prichard	B23C 5/2221 407/114	2014/0348600	A1 *	11/2014	Matsubara	B23C 5/207 407/64
					2015/0190868	A1 *	7/2015	Koifman	B23C 5/207 407/11

* cited by examiner

Fig. 1

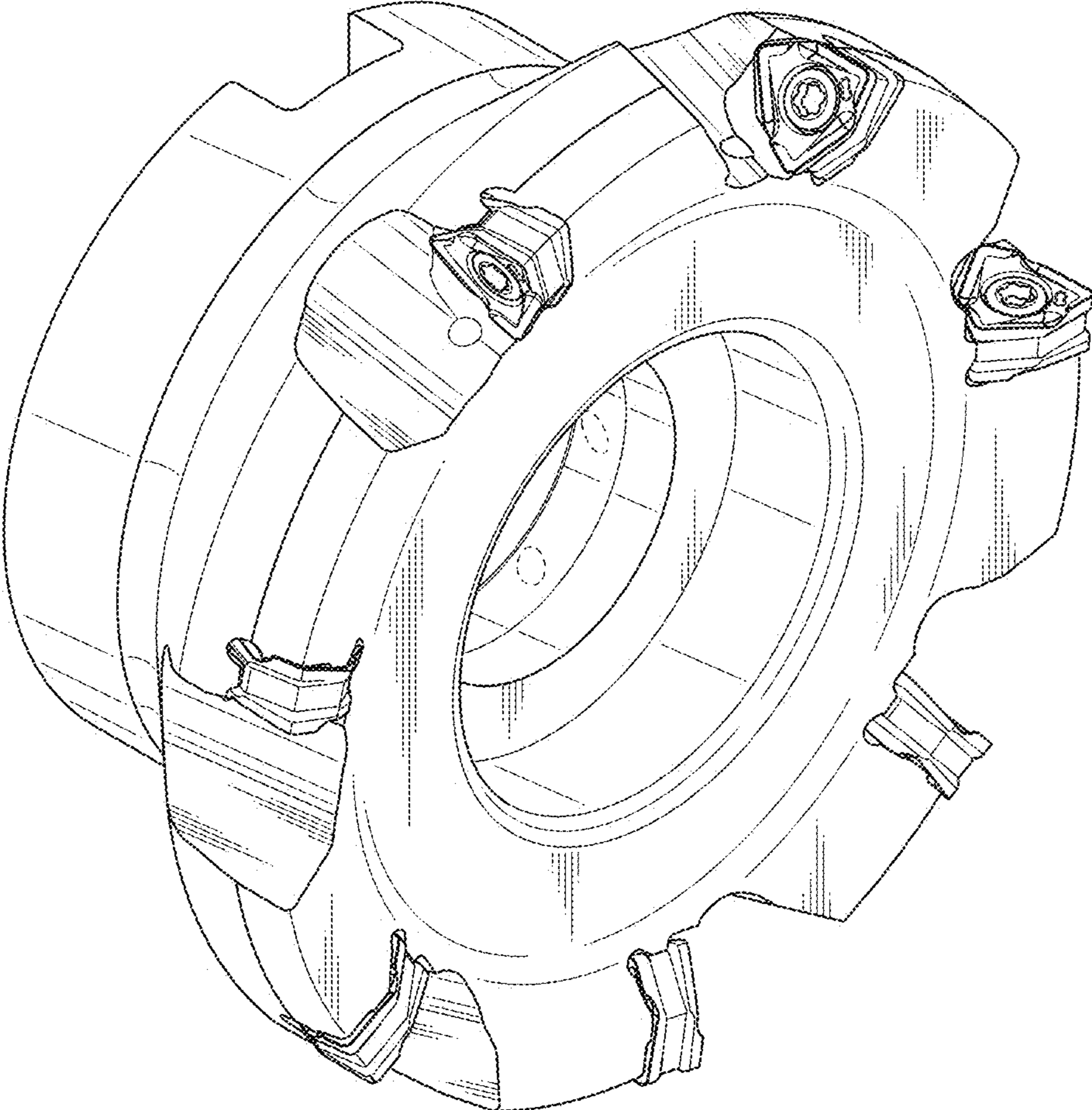


Fig. 2

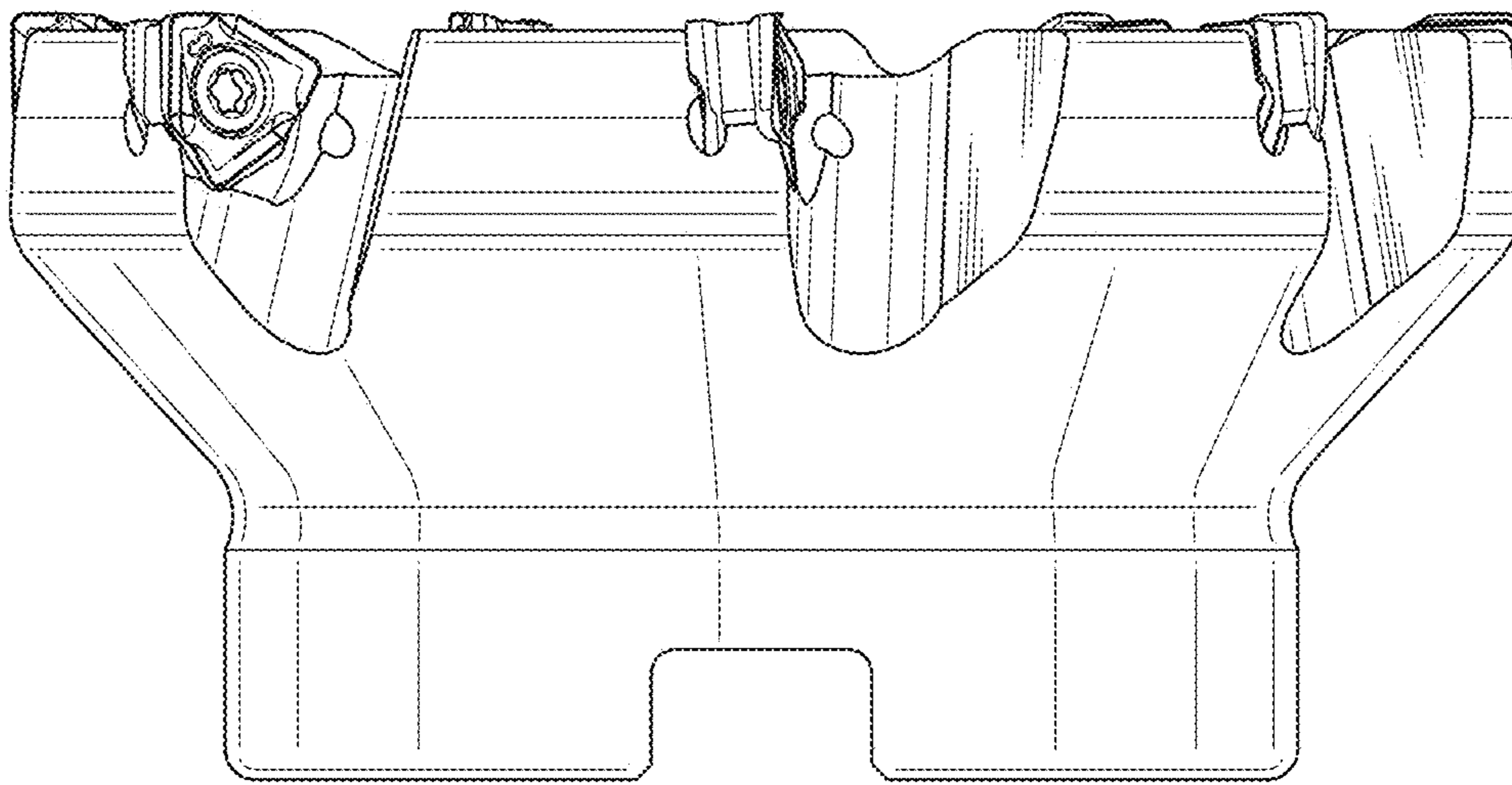


Fig. 3

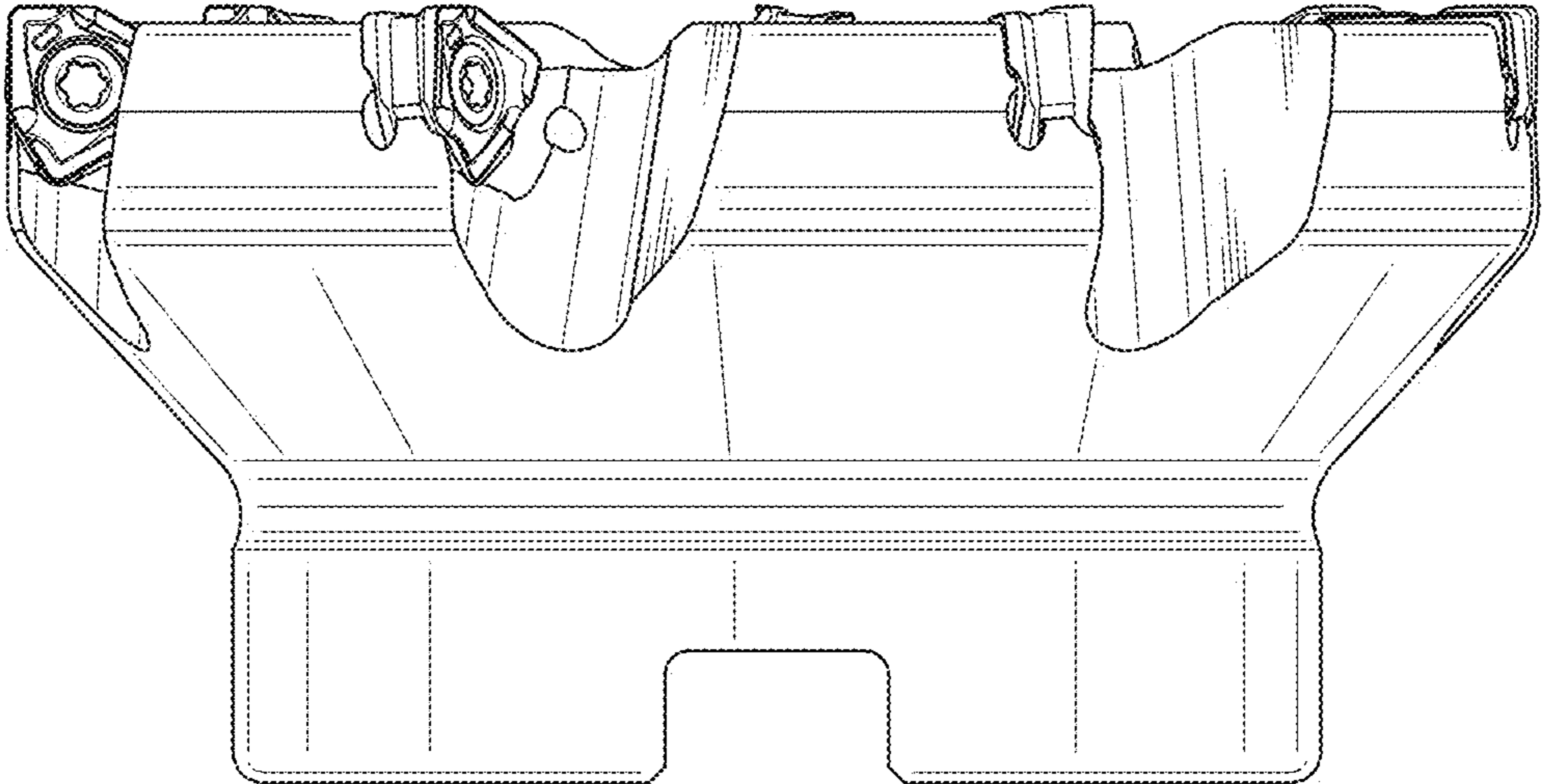


Fig. 4

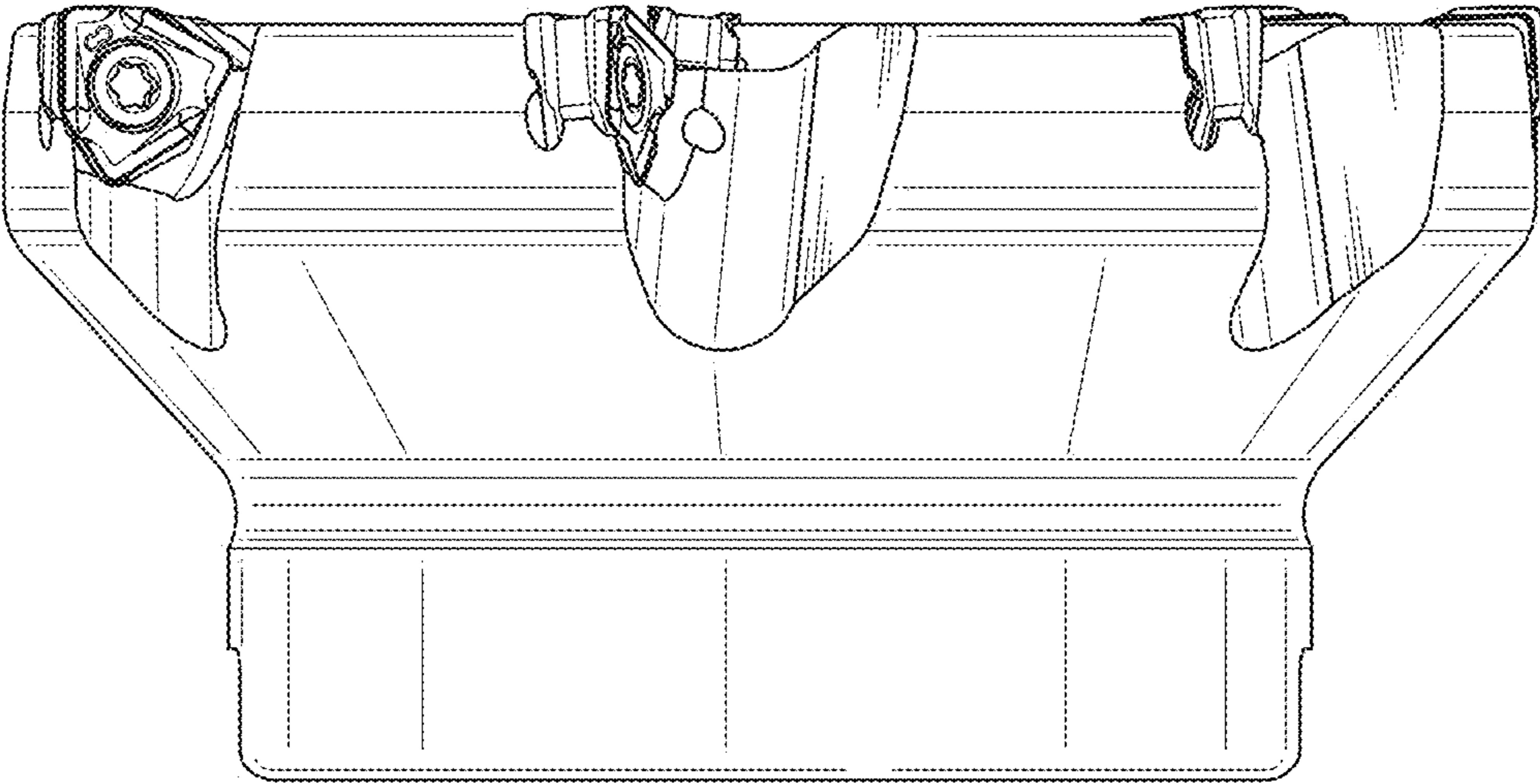


Fig. 5

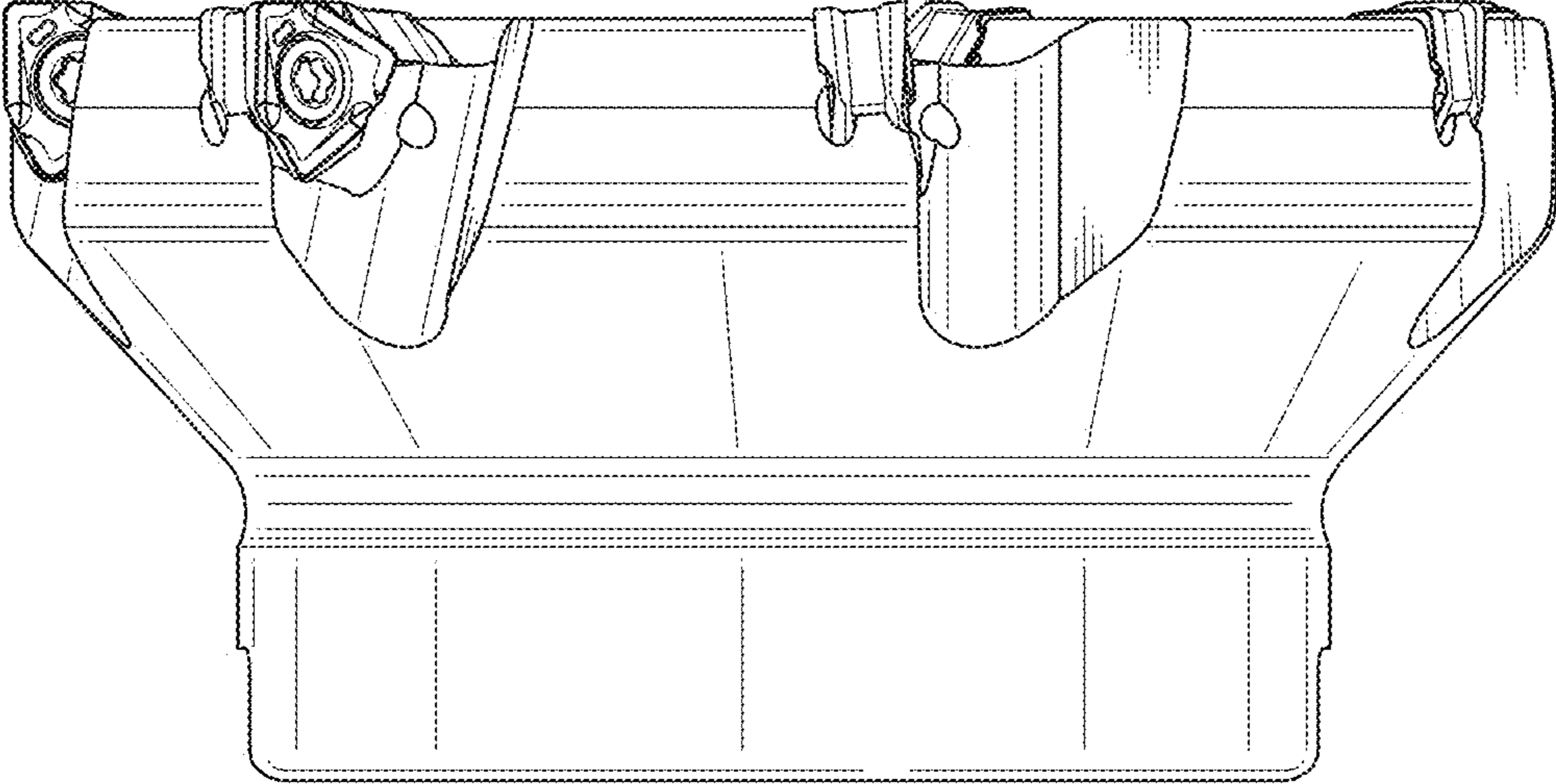


Fig. 6

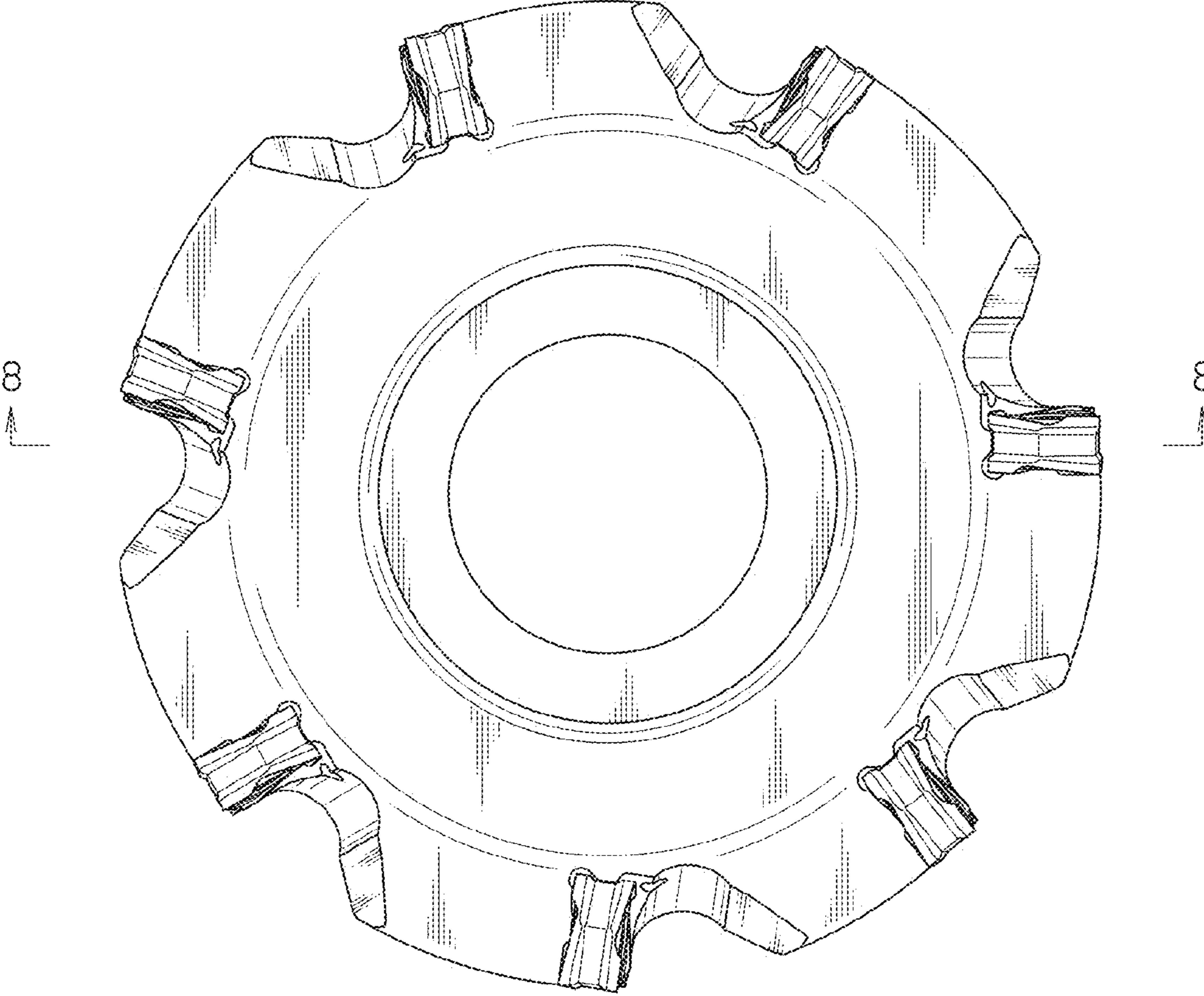


Fig. 7

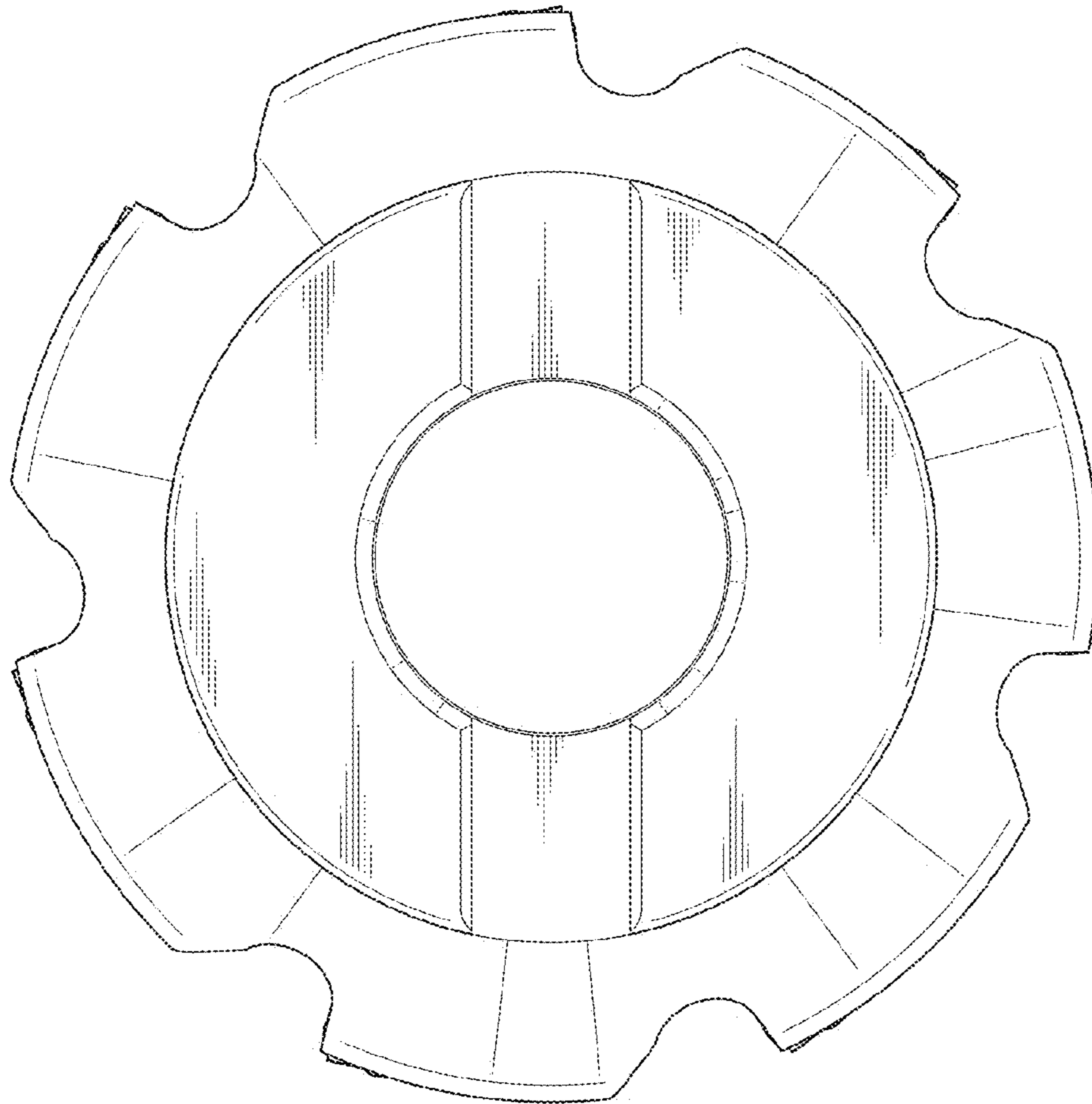


Fig. 8

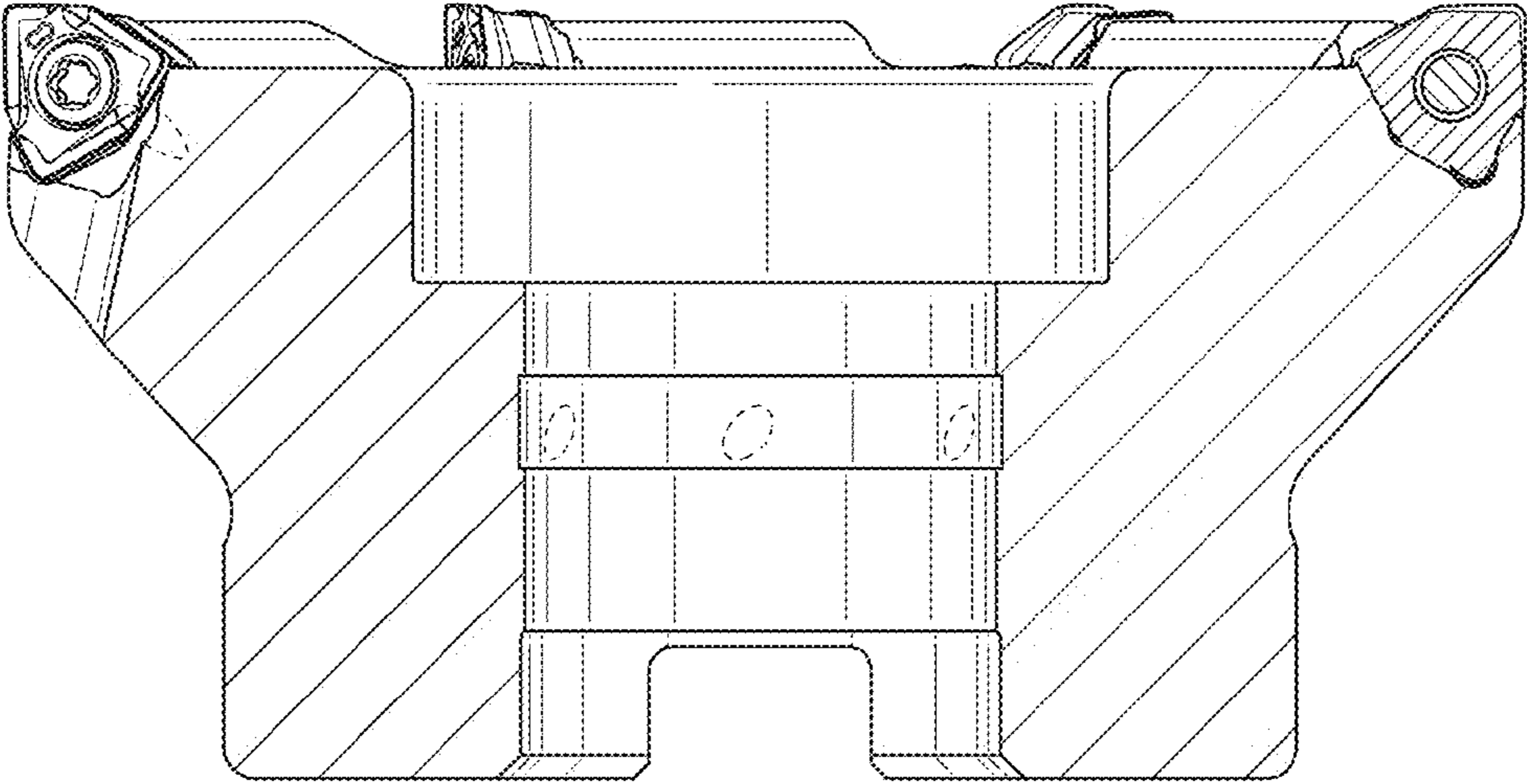


Fig. 9

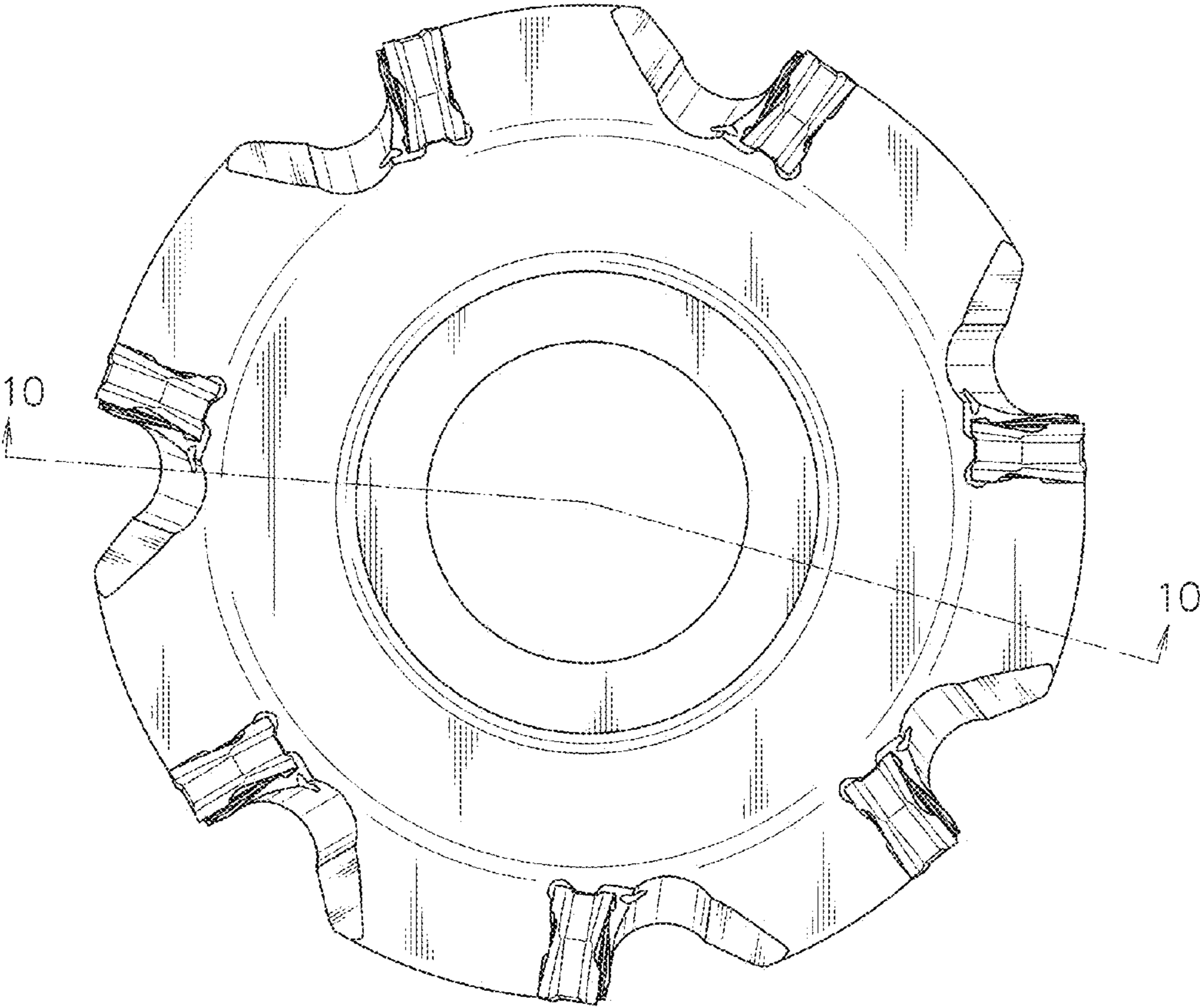


Fig. 10

