

US00D760304S

(12) **United States Design Patent**
Asano

(10) **Patent No.:** **US D760,304 S**
(45) **Date of Patent:** **** Jun. 28, 2016**

- (54) **SEWING MACHINE**
- (71) Applicant: **BROTHER INDUSTRIES, LTD.,**
Nagoya-shi, Aichi-ken (JP)
- (72) Inventor: **Masahide Asano,** Nagoya (JP)
- (73) Assignee: **BROTHER INDUSTRIES, LTD.,**
Nagoya (JP)
- (**) Term: **14 Years**
- (21) Appl. No.: **29/522,106**
- (22) Filed: **Mar. 27, 2015**
- (51) **LOC (10) Cl.** **15-06**
- (52) **U.S. Cl.**
USPC **D15/69**
- (58) **Field of Classification Search**
USPC D15/66-78
CPC D05B 1/00-21/00; D05B 75/06
See application file for complete search history.

D297,434 S *	8/1988	Yoneda	D15/69
D450,332 S *	11/2001	Kuroki	D15/69
D515,107 S *	2/2006	Kawaguchi	D15/69
D523,030 S *	6/2006	Muto	D15/69
D524,829 S *	7/2006	Muto	D15/69
D529,054 S *	9/2006	Hosoi	D15/69
D534,930 S *	1/2007	Hosoi	D15/69
D578,552 S *	10/2008	Inada	D15/69
D648,758 S *	11/2011	Muto	D15/69
D678,363 S *	3/2013	Asano	D15/69
D679,297 S *	4/2013	Asano	D15/69

* cited by examiner

Primary Examiner — Mitchell Siegel
(74) *Attorney, Agent, or Firm* — Oliff PLC

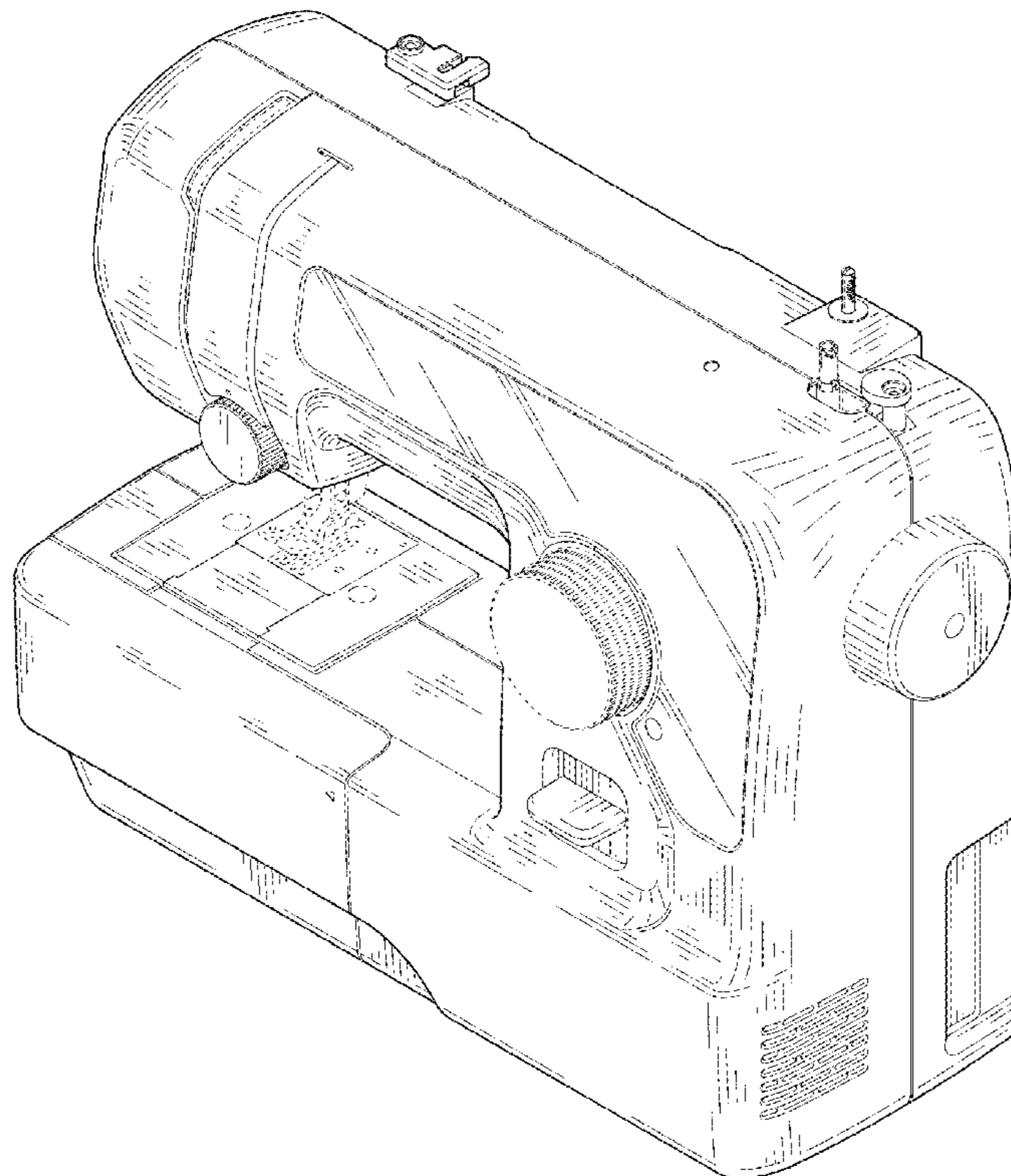
(57) **CLAIM**
The ornamental design for a sewing machine, as shown and described.

DESCRIPTION

FIG. 1 is a perspective view of a sewing machine;
FIG. 2 is a front view thereof;
FIG. 3 is a top view thereof;
FIG. 4 is a right-side view thereof
FIG. 5 is a left-side view thereof;
FIG. 6 is a rear view thereof; and,
FIG. 7 is a bottom view thereof.
The broken lines depict environmental subject matter only and form no part of the claimed design.

1 Claim, 6 Drawing Sheets

- (56) **References Cited**
U.S. PATENT DOCUMENTS
D289,403 S * 4/1987 Yoneda D15/69
D289,877 S * 5/1987 Yoneda D15/69
D296,558 S * 7/1988 Yoneda D15/69



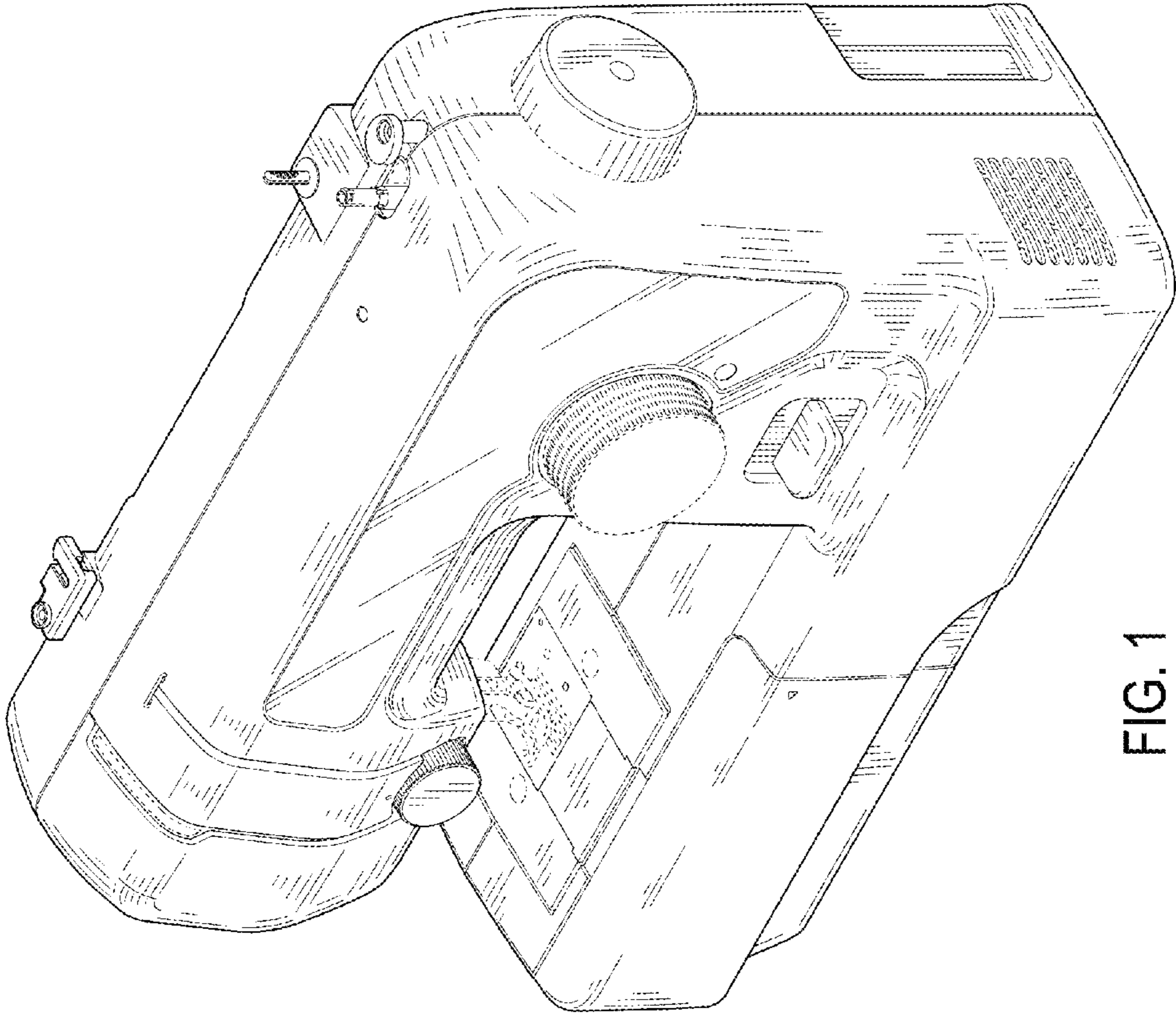


FIG. 1

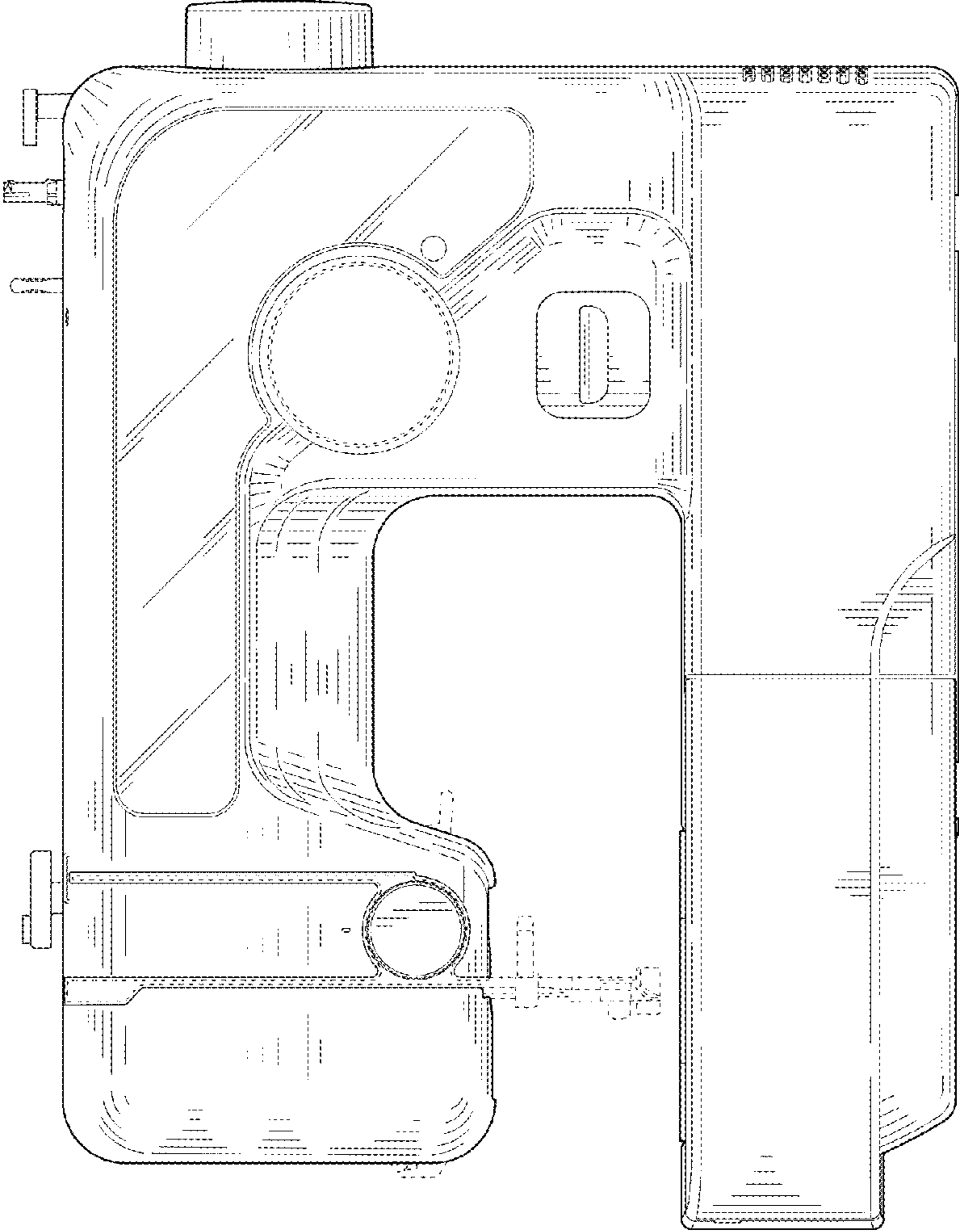


FIG. 2

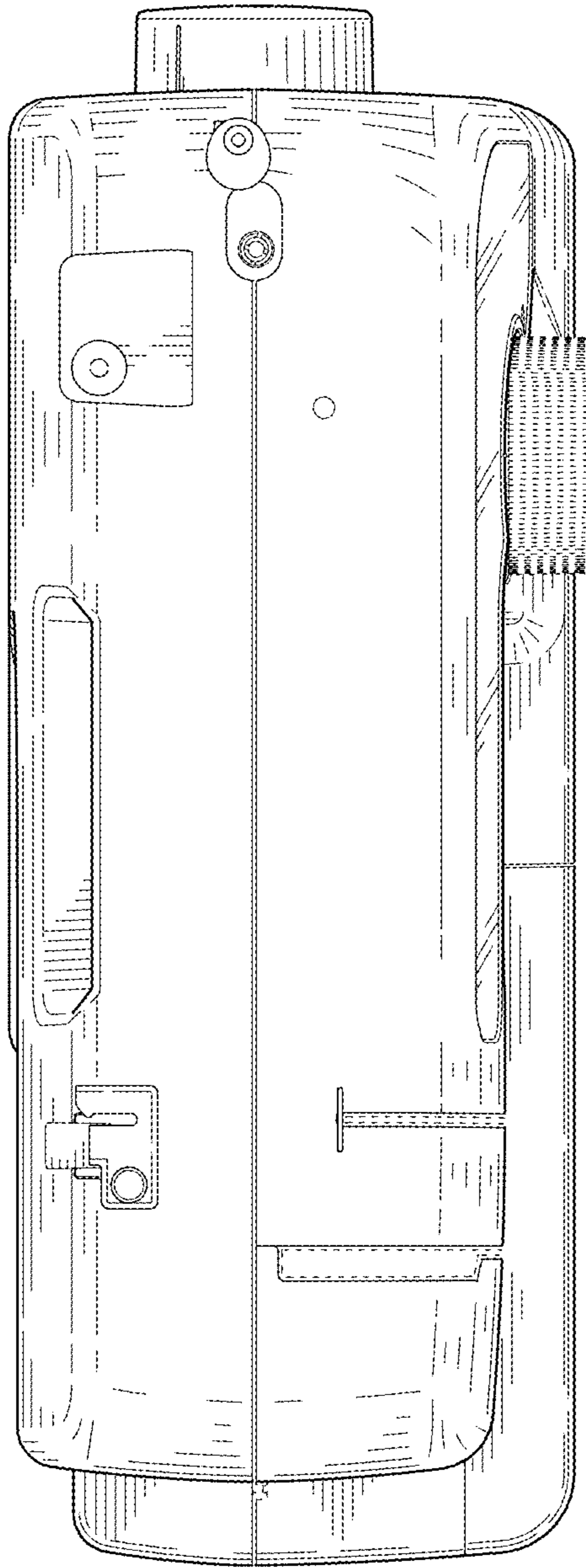


FIG. 3

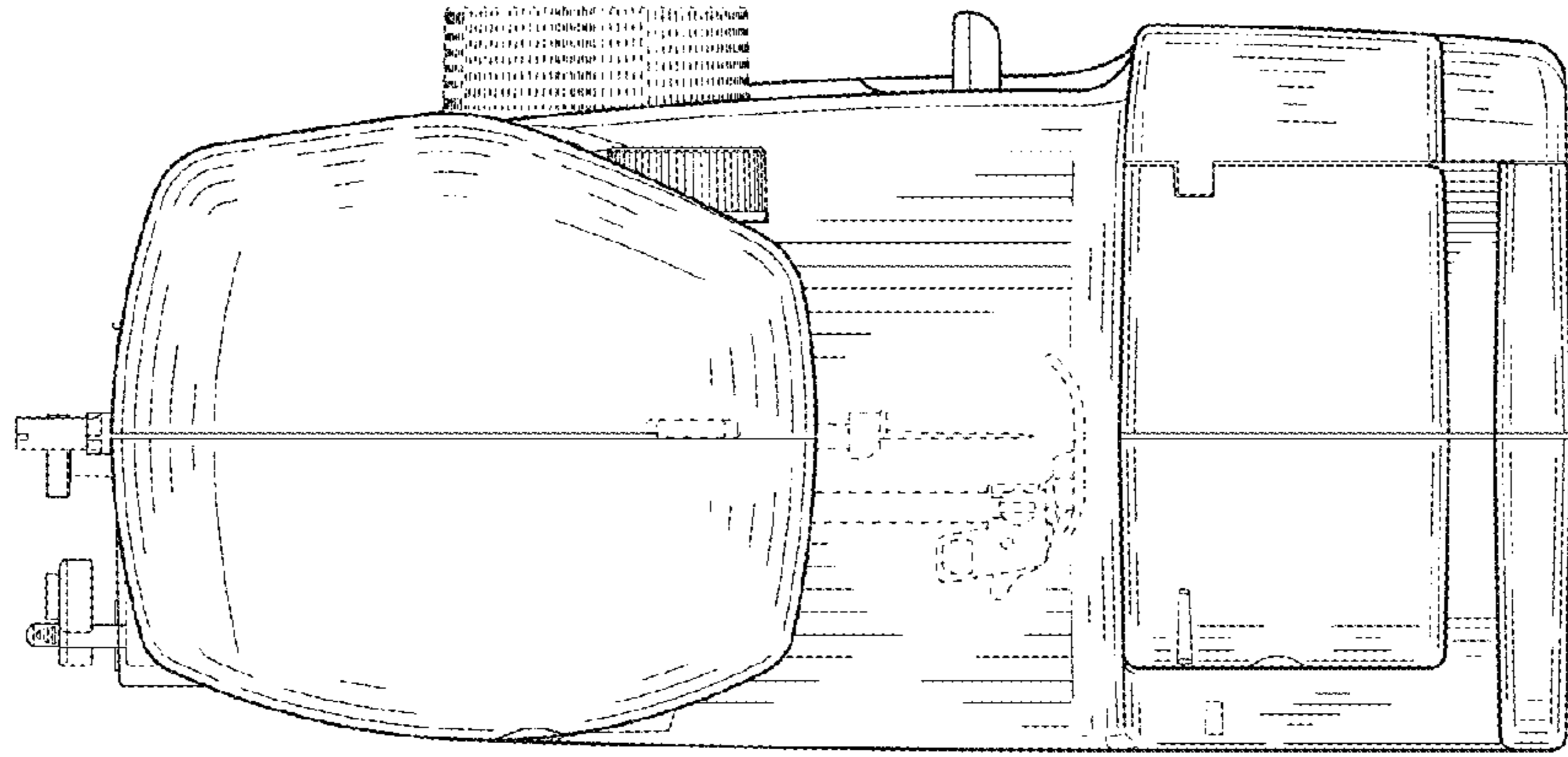


FIG. 5

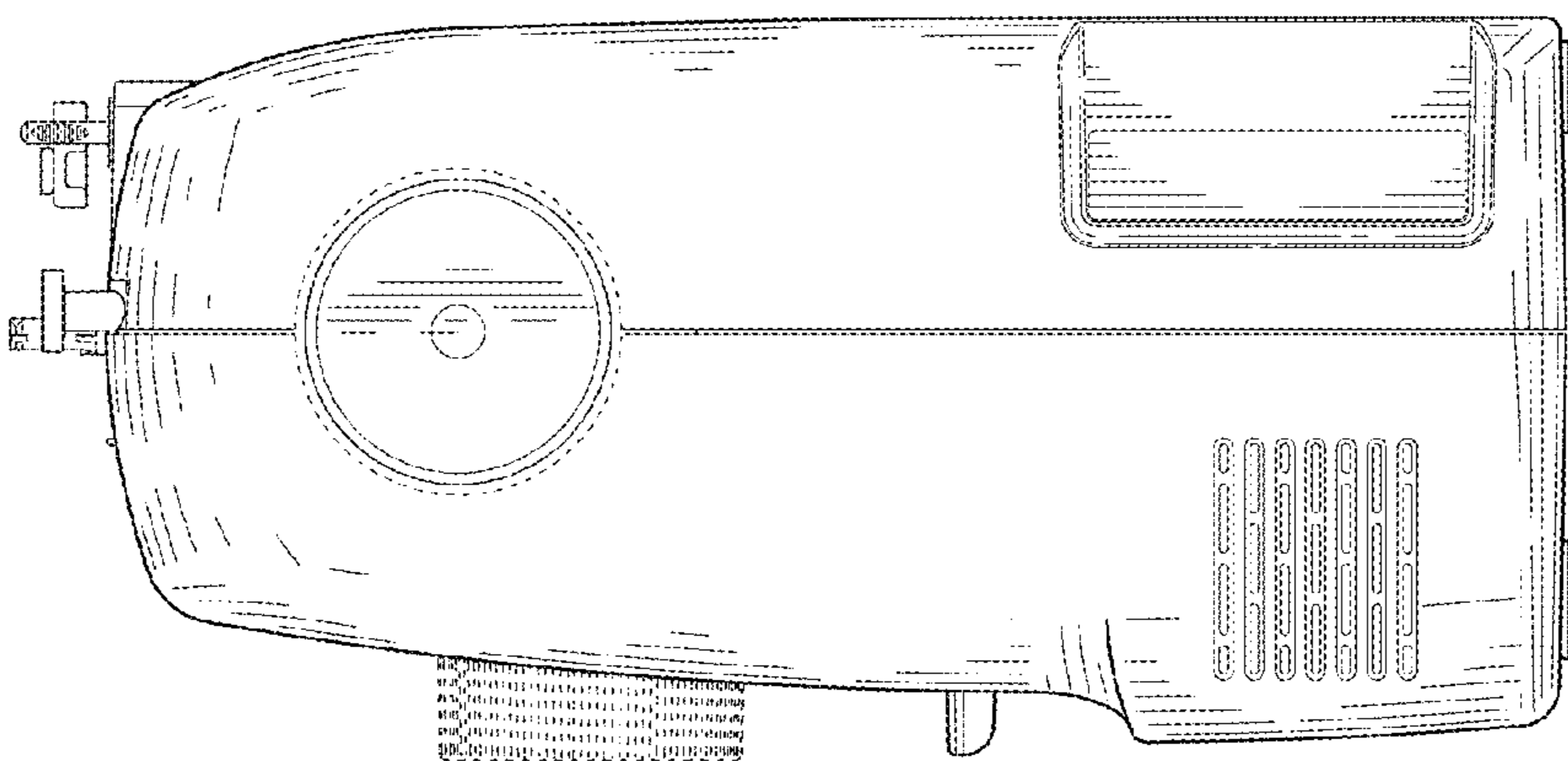


FIG. 4

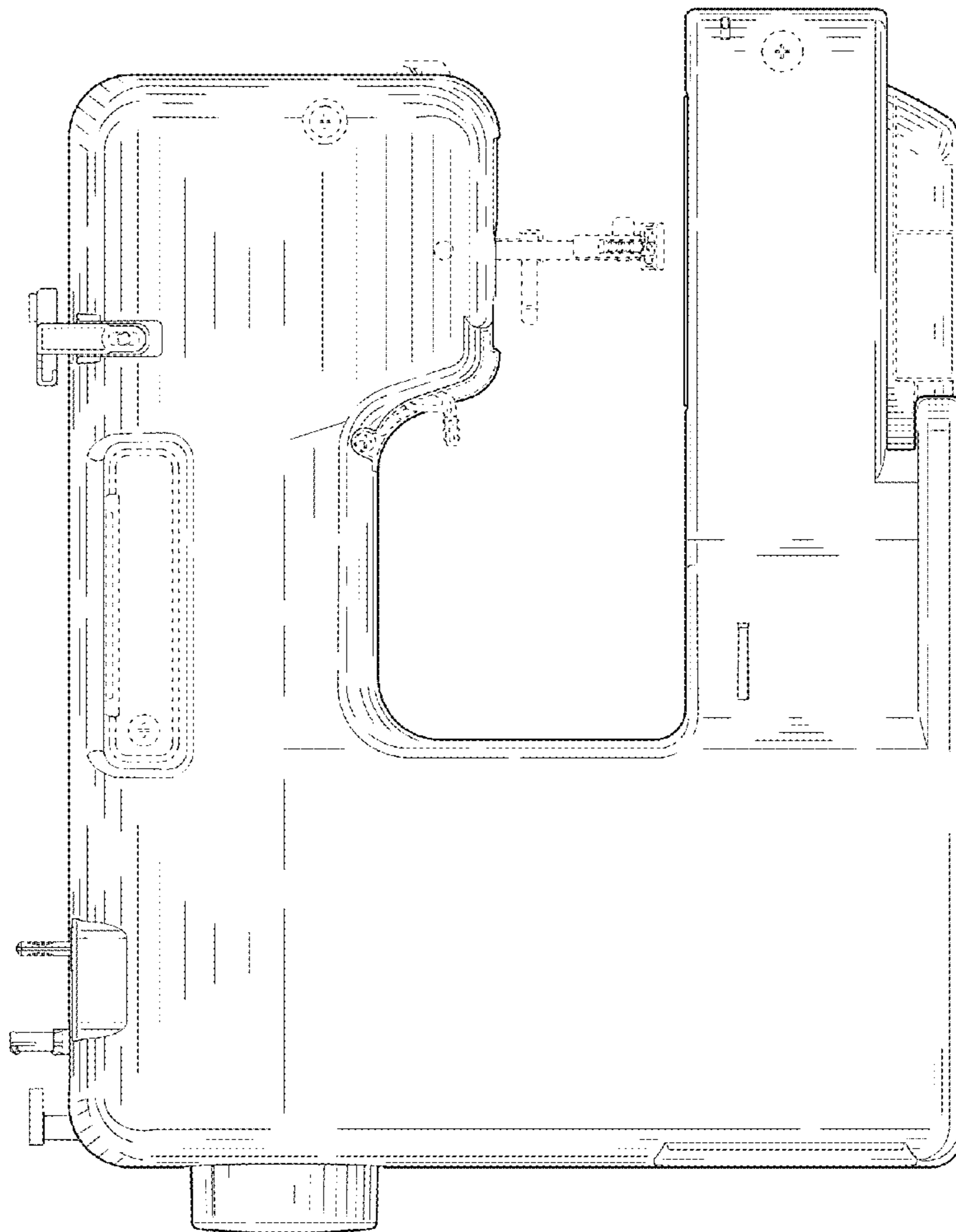


FIG. 6

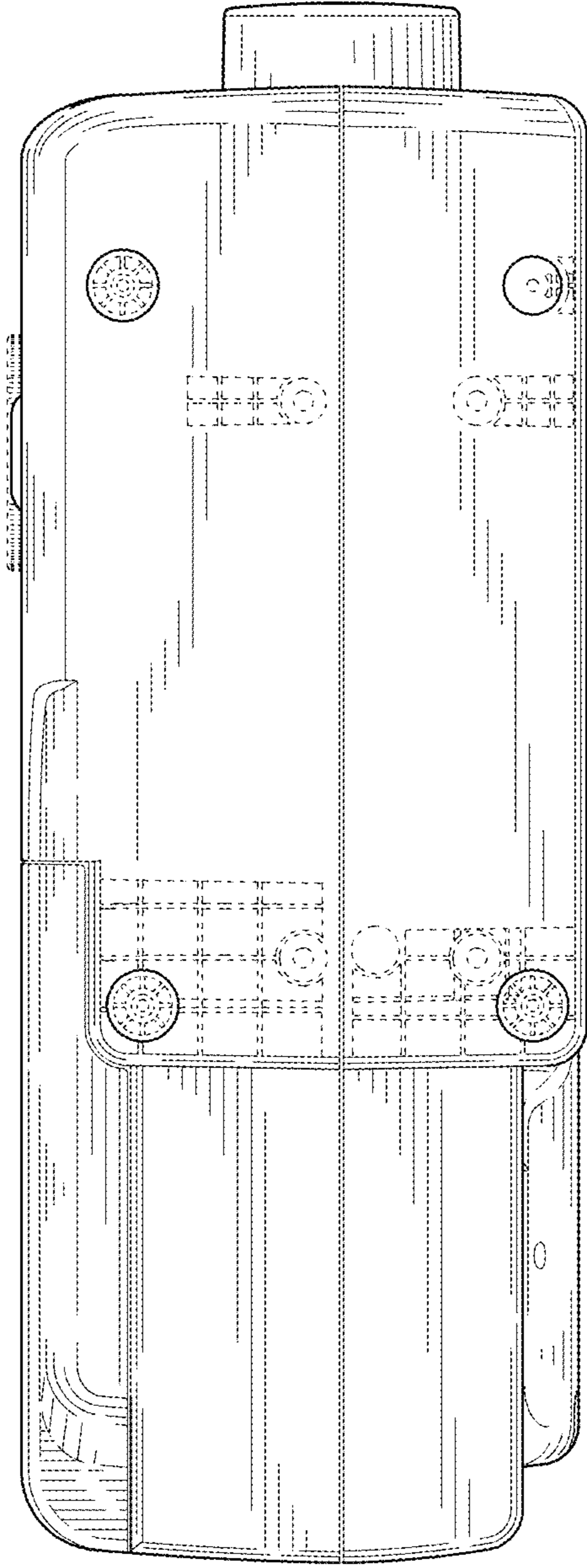


FIG. 7