



US00D760302S

(12) **United States Design Patent**
Choi

(10) **Patent No.:** **US D760,302 S**
(45) **Date of Patent:** **** Jun. 28, 2016**

- (54) **RUBBER CRAWLER PAD FOR CRAWLERS**
- (71) Applicant: **XENITH TRACK CO., LTD.**, Daejeon (KR)
- (72) Inventor: **Yong Jae Choi**, Daejeon (KR)
- (73) Assignee: **XENITH TRACK CO., LTD.**, Daejeon (KR)

- 6,820,948 B2 * 11/2004 Katoh B62D 55/26
305/188
- D576,181 S * 9/2008 Busley D15/28
- D588,170 S * 3/2009 Kumano D15/28
- D599,381 S * 9/2009 Chiang D15/28
- 7,673,951 B2 * 3/2010 Chiang B62D 55/275
305/162
- D724,627 S * 3/2015 Ijiri D15/28
- 9,260,144 B2 * 2/2016 Park B62D 55/28
- 2014/0246899 A1 * 9/2014 Park B62D 55/28
305/189

(**) Term: **15 Years**

* cited by examiner

(21) Appl. No.: **29/529,192**

Primary Examiner — Mark Goodwin

(22) Filed: **Jun. 4, 2015**

(74) *Attorney, Agent, or Firm* — Rabin & Berdo, P.C.

(51) **LOC (10) Cl.** **15-03**

(57) **CLAIM**

The ornamental design for a rubber crawler pad for crawlers, as shown and described.

(52) **U.S. Cl.**

DESCRIPTION

USPC **D15/28**

(58) **Field of Classification Search**

USPC D15/22–26, 28; D21/537, 431, 495;
305/191, 193, 192, 161, 178, 194, 160,
305/180, 179, 43, 40, 53, 44, 46, 50, 167,
305/196, 198, 162, 169, 177, 185, 200–202,
305/171, 195, 189, 187

CPC B62D 55/28; B62D 55/18; B62D 55/275;
B62D 55/26; B62D 55/20; B62D 55/27;
B62D 55/088; B62D 55/08; B62D 55/00

See application file for complete search history.

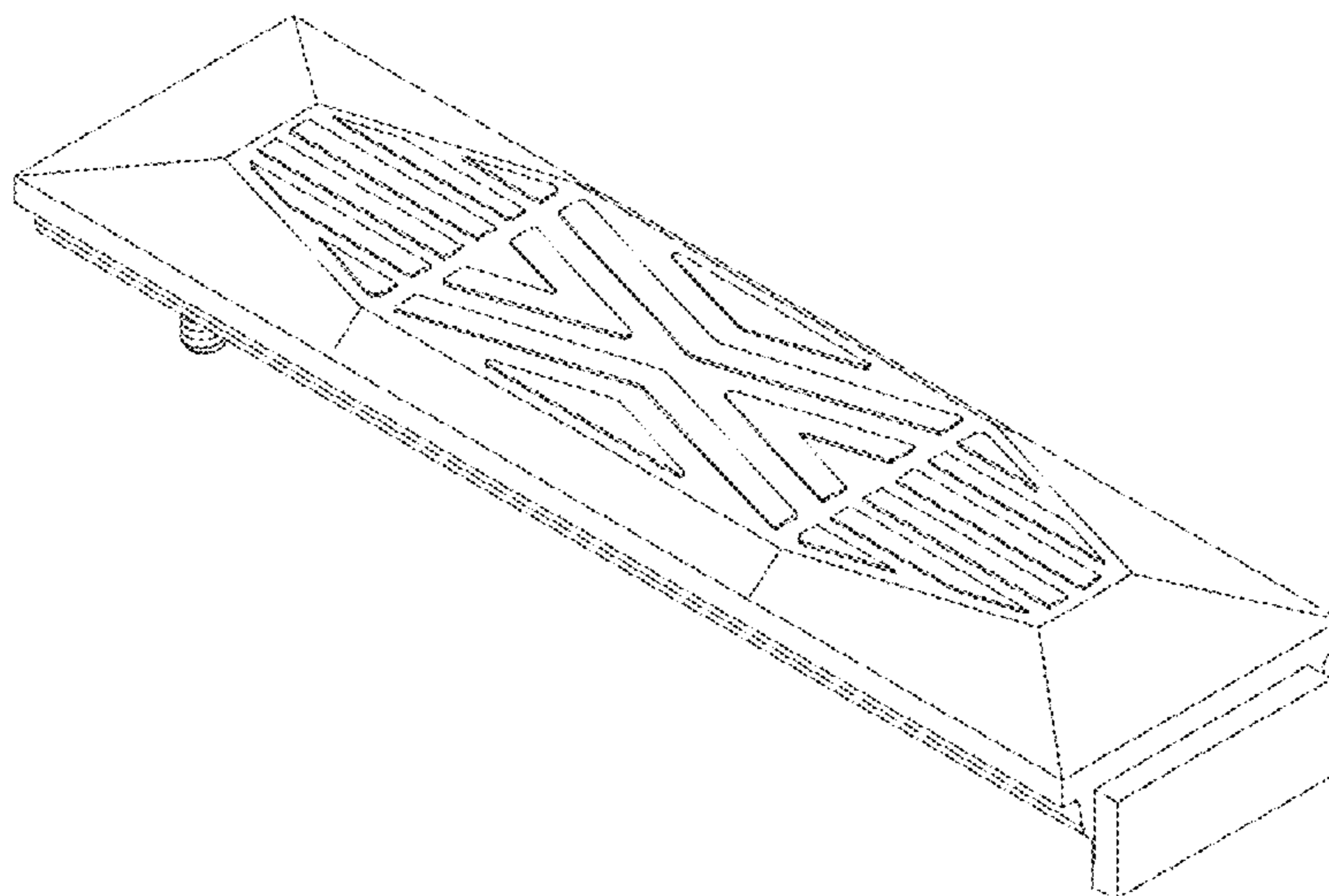
FIG. 1 is a top perspective view of a rubber crawler pad for crawlers;
FIG. 2 is a bottom perspective view thereof;
FIG. 3 is a front elevational view thereof;
FIG. 4 is a rear elevational view thereof;
FIG. 5 is a left side elevational view thereof;
FIG. 6 is a right side elevational view thereof;
FIG. 7 is a top view thereof;
FIG. 8 is a bottom view thereof;
FIG. 9 is a cross-sectional side view taken along line A-A in FIG. 3, wherein hatched lines indicate cut surfaces;
FIG. 10 is a cross-sectional side view taken along line B-B in FIG. 3, wherein hatched lines indicate cut surfaces;
FIG. 11 is a vertical cross-sectional front view taken along line C-C in FIG. 8, wherein hatched lines indicate cut surfaces; and,
FIG. 12 is a vertical cross-sectional front view taken along line D-D in FIG. 8, wherein hatched lines indicate cut surfaces.

(56) **References Cited**

U.S. PATENT DOCUMENTS

- 4,588,233 A * 5/1986 DenBesten B62D 55/275
305/51
- RE36,025 E * 1/1999 Suzuki B62D 55/275
305/187
- 6,213,573 B1 * 4/2001 Nakayama B62D 55/275
305/111
- 6,299,265 B1 * 10/2001 Hoffart B62D 55/28
152/225 R

1 Claim, 6 Drawing Sheets



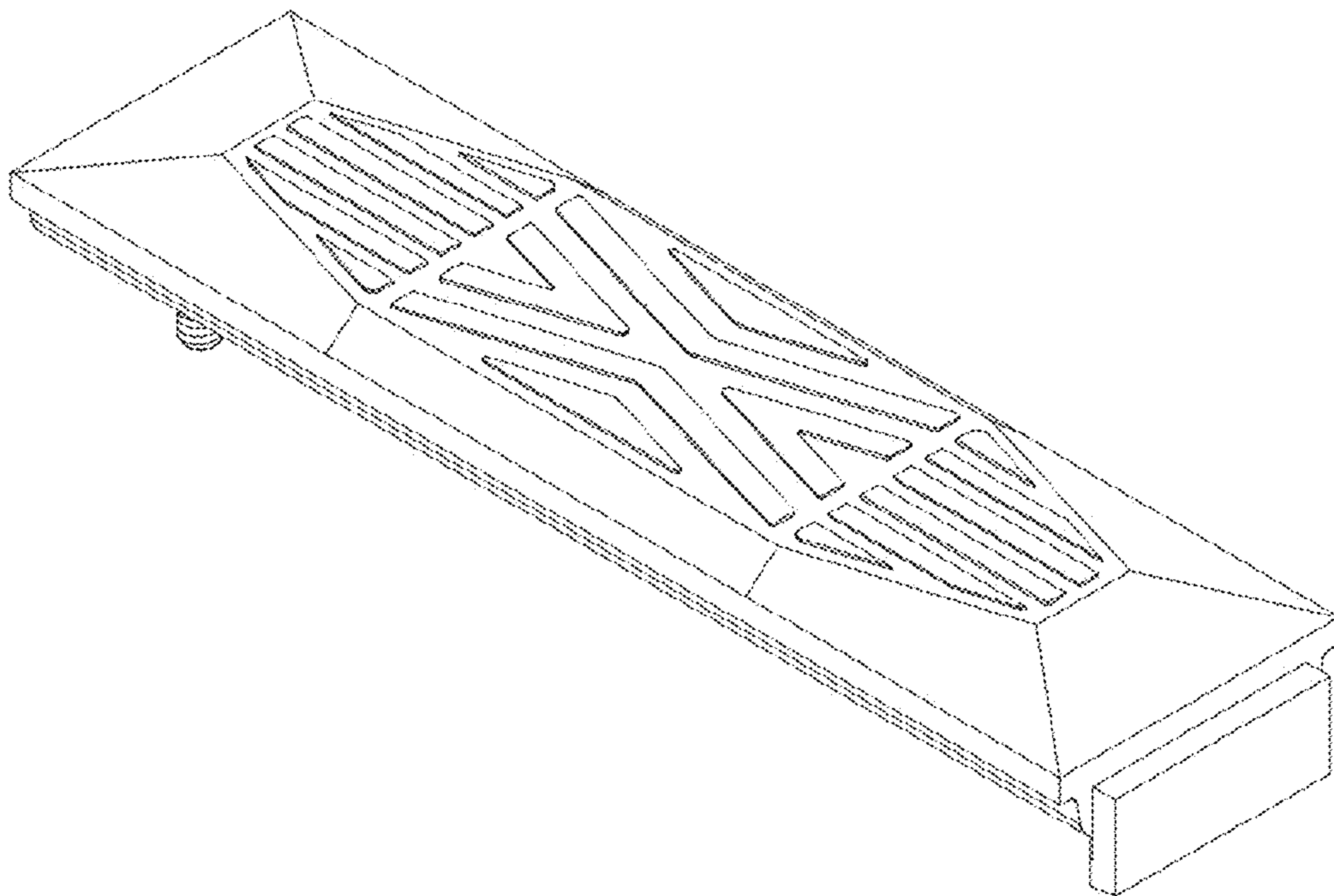


FIG. 1

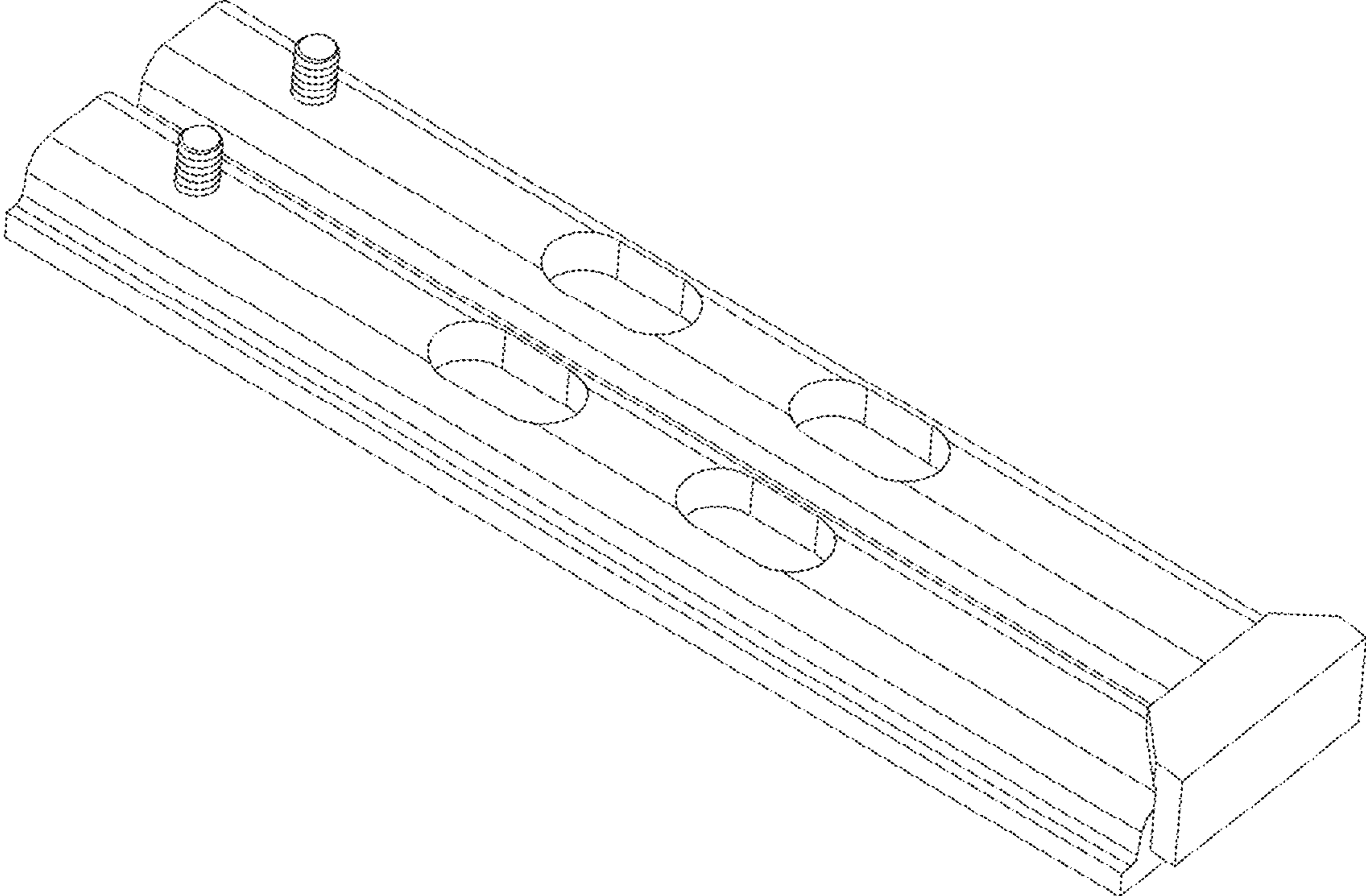


FIG. 2

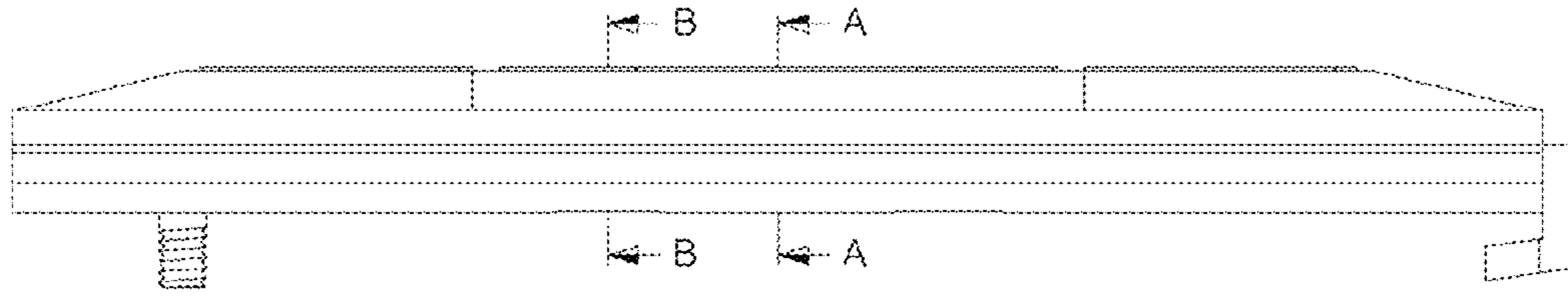


FIG. 3

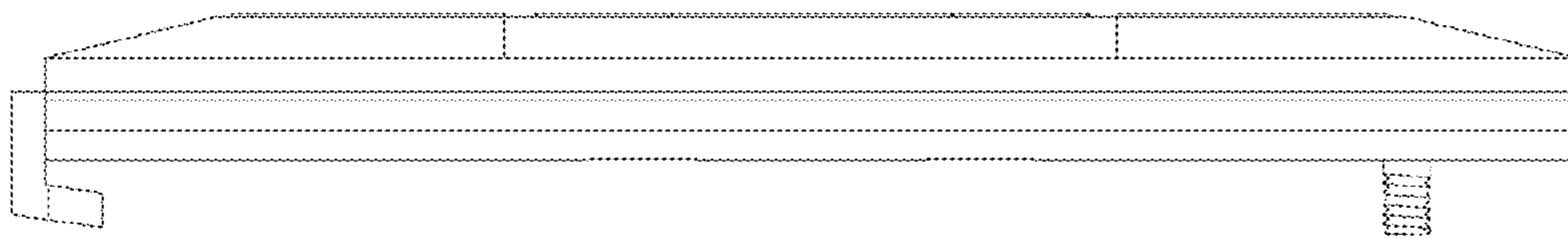


FIG. 4

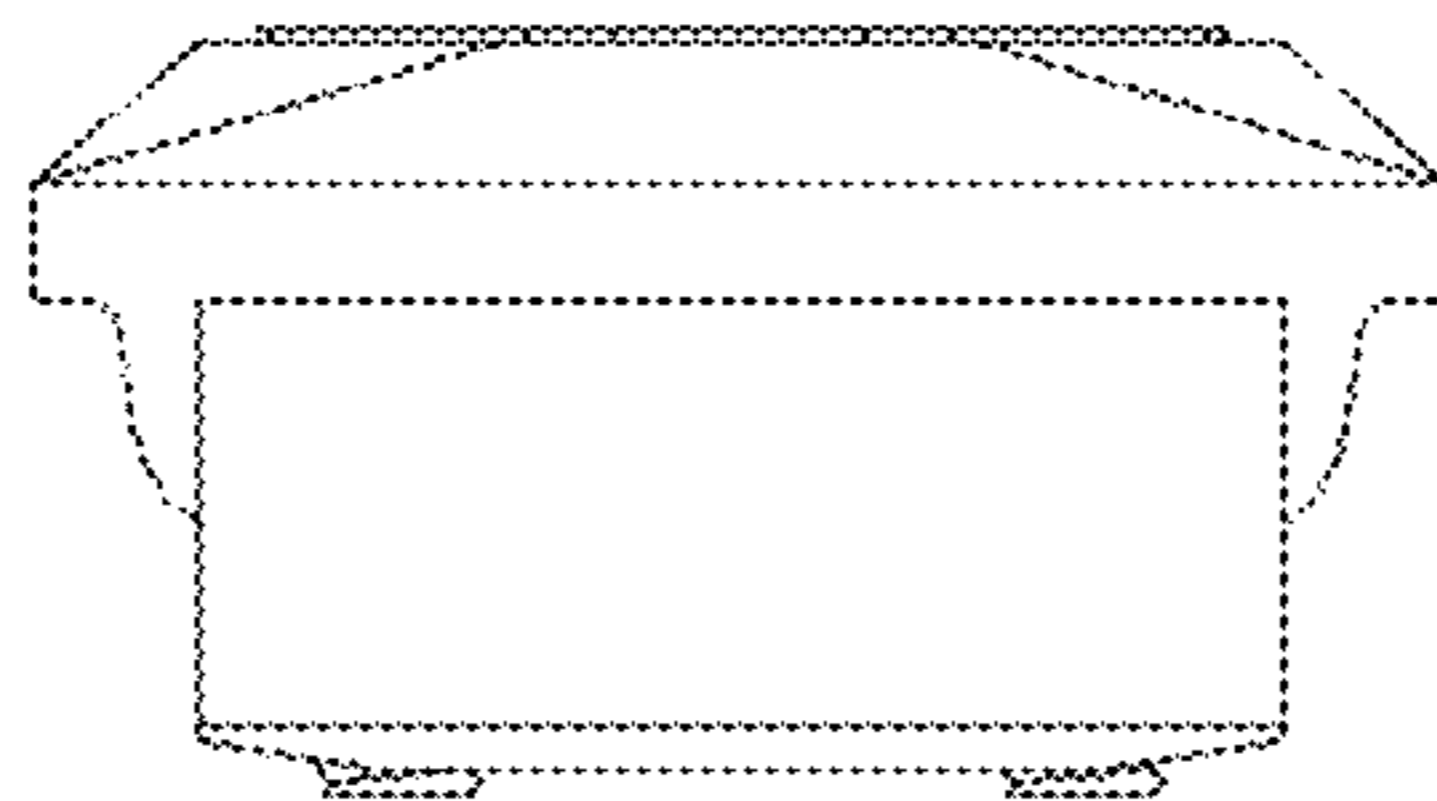


FIG. 5

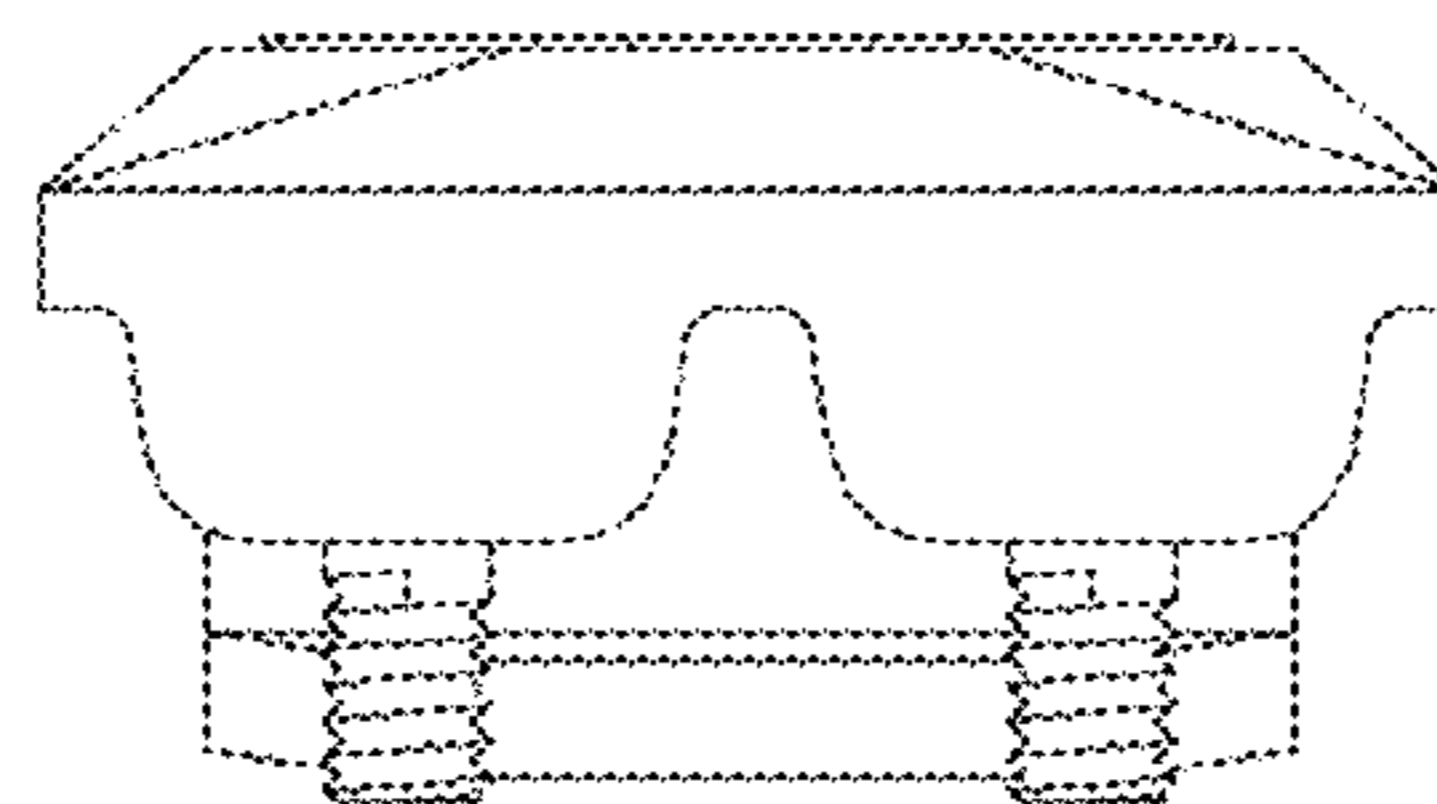


FIG. 6

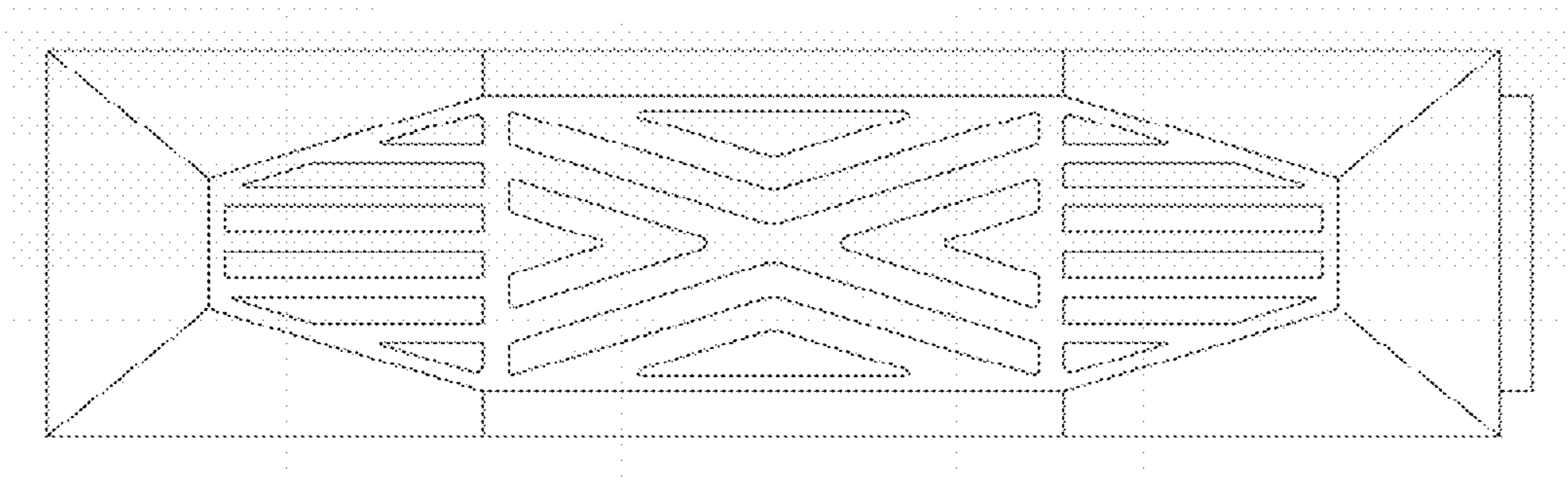


FIG. 7

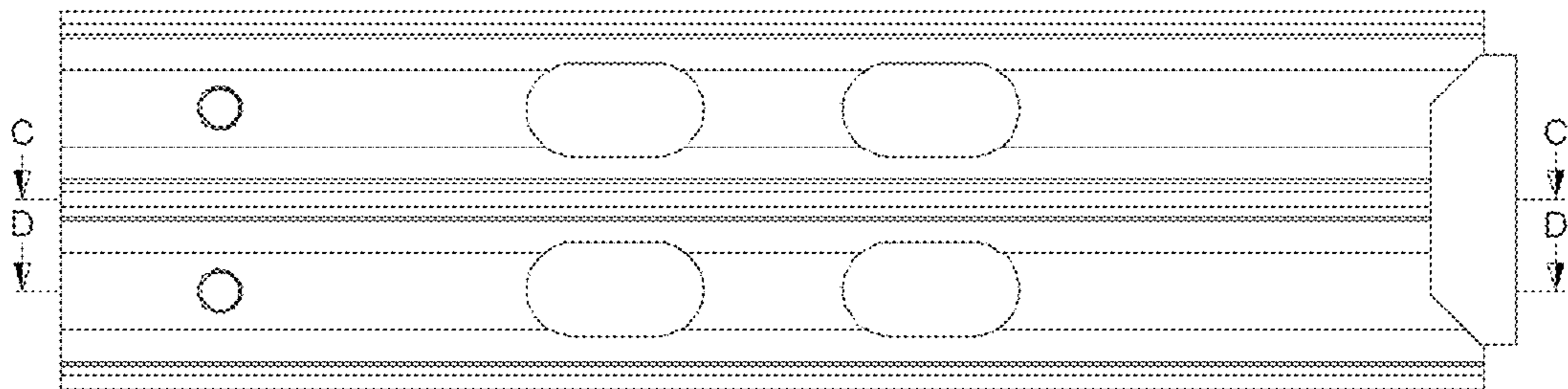


FIG. 8

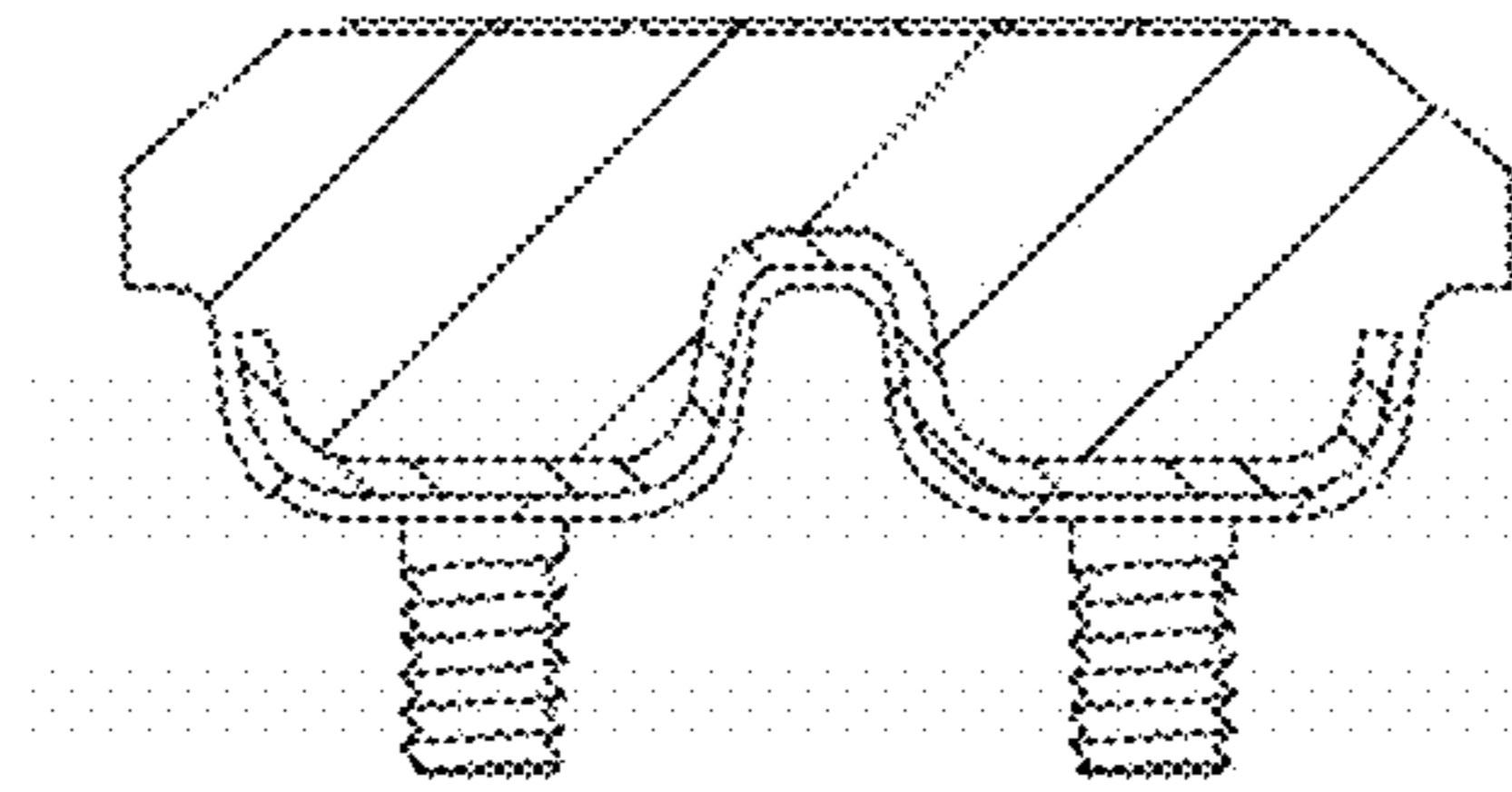


FIG. 9

(A-A Cross-sectional view)

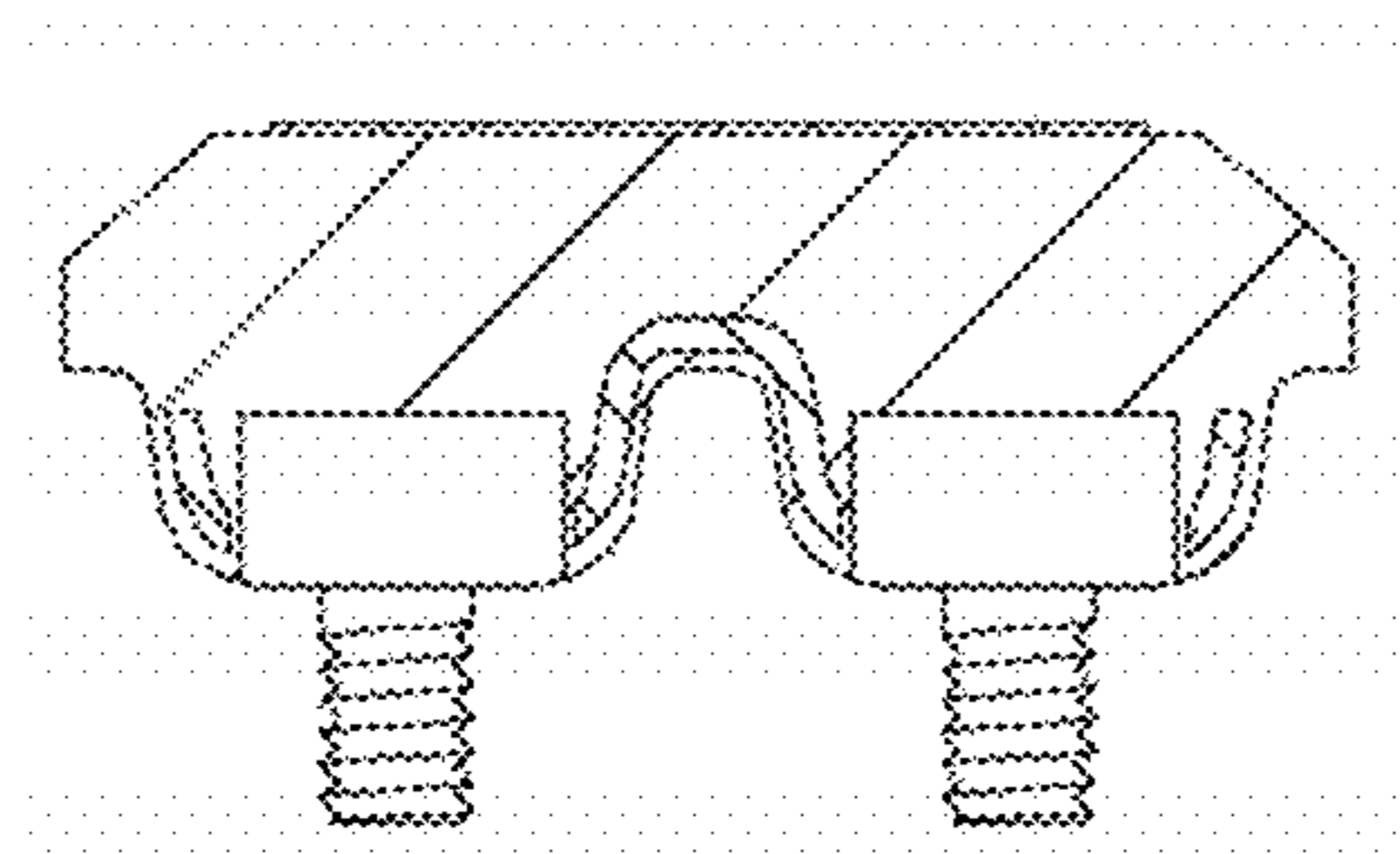


FIG. 10

(B-B Cross Sectional view)

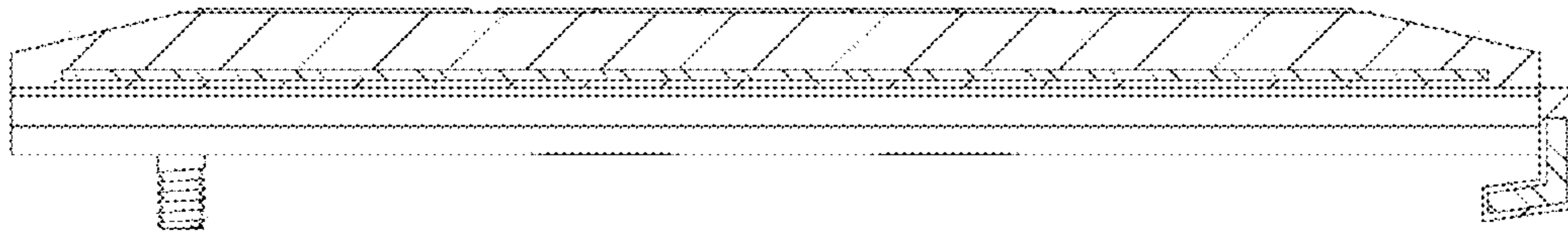


FIG. 11

(C-C Cross Sectional view)

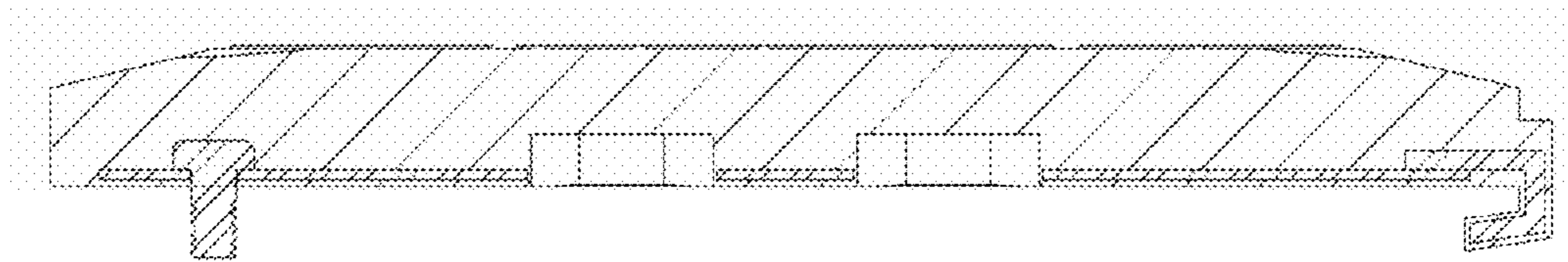


FIG. 12

(D-D Cross Sectional View)