



US00D760301S

(12) **United States Design Patent**
Alberti et al.

(10) **Patent No.:** **US D760,301 S**
(45) **Date of Patent:** **** Jun. 28, 2016**

(54) **WALK-BEHIND COMPACTION ROLLER**

(71) Applicant: **Wacker Neuson Production Americas LLC**, Menomonee Falls, WI (US)

(72) Inventors: **Jason Alberti**, Pewaukee, WI (US);
Arber Halimi, Hartland, WI (US);
David Schulenberg, Kewaskum, WI (US)

(73) Assignee: **Wacker Neuson Production Americas LLC**, Menomonee Falls, WI (US)

(**) Term: **14 Years**

(21) Appl. No.: **29/520,646**

(22) Filed: **Mar. 17, 2015**

(51) **LOC (10) Cl.** **15-03**

(52) **U.S. Cl.**
USPC **D15/20**

(58) **Field of Classification Search**
USPC D15/10-33; 404/113, 133.1, 133.05,
404/114, 117; 74/61; 173/113, 118;
172/699
CPC E01C 19/22; E01C 19/28; E01C 19/283
See application file for complete search history.

(56) **References Cited**

U.S. PATENT DOCUMENTS

- 3,814,531 A * 6/1974 Carnahan E01C 19/283
180/420
- D235,374 S * 6/1975 Aiello D15/20
- D258,591 S * 3/1981 Wyckoff D15/20
- 6,302,620 B1 * 10/2001 Mutsuji E01C 19/283
404/117
- D454,141 S * 3/2002 Geier D15/20
- D461,197 S * 8/2002 Geier D15/20
- D517,094 S * 3/2006 Stein D15/20
- D518,070 S * 3/2006 Schennach D15/20
- D604,334 S * 11/2009 Hu D15/20

- D604,335 S * 11/2009 Hu D15/20
- D615,997 S * 5/2010 Loew D15/20
- D621,422 S * 8/2010 Loew D15/20
- D633,531 S * 3/2011 von Richthofen D15/20
- D638,861 S * 5/2011 Bartl D15/20
- D652,847 S * 1/2012 Bartl D15/20
- D657,396 S * 4/2012 Loew D15/20
- D657,397 S * 4/2012 Loew D15/20
- 2010/0189501 A1 * 7/2010 Grabnic E02D 3/046
404/133.05

OTHER PUBLICATIONS

Wacker Neuson RD-7 Walk-Behind Roller; <http://www.wackerneuson.us/en/products/pg/walk-behind-rollers-1/prod/rd-7.html>.
BOMAG Walk-Behind Roller; <http://www.bomag.com/world/en/construction-equipment-dictionary-walk-behind-rollers.html>.
Multiquip RX1575 Trench Roller; <http://www.multiquip.com/multiquip/RX157533.htm>.

(Continued)

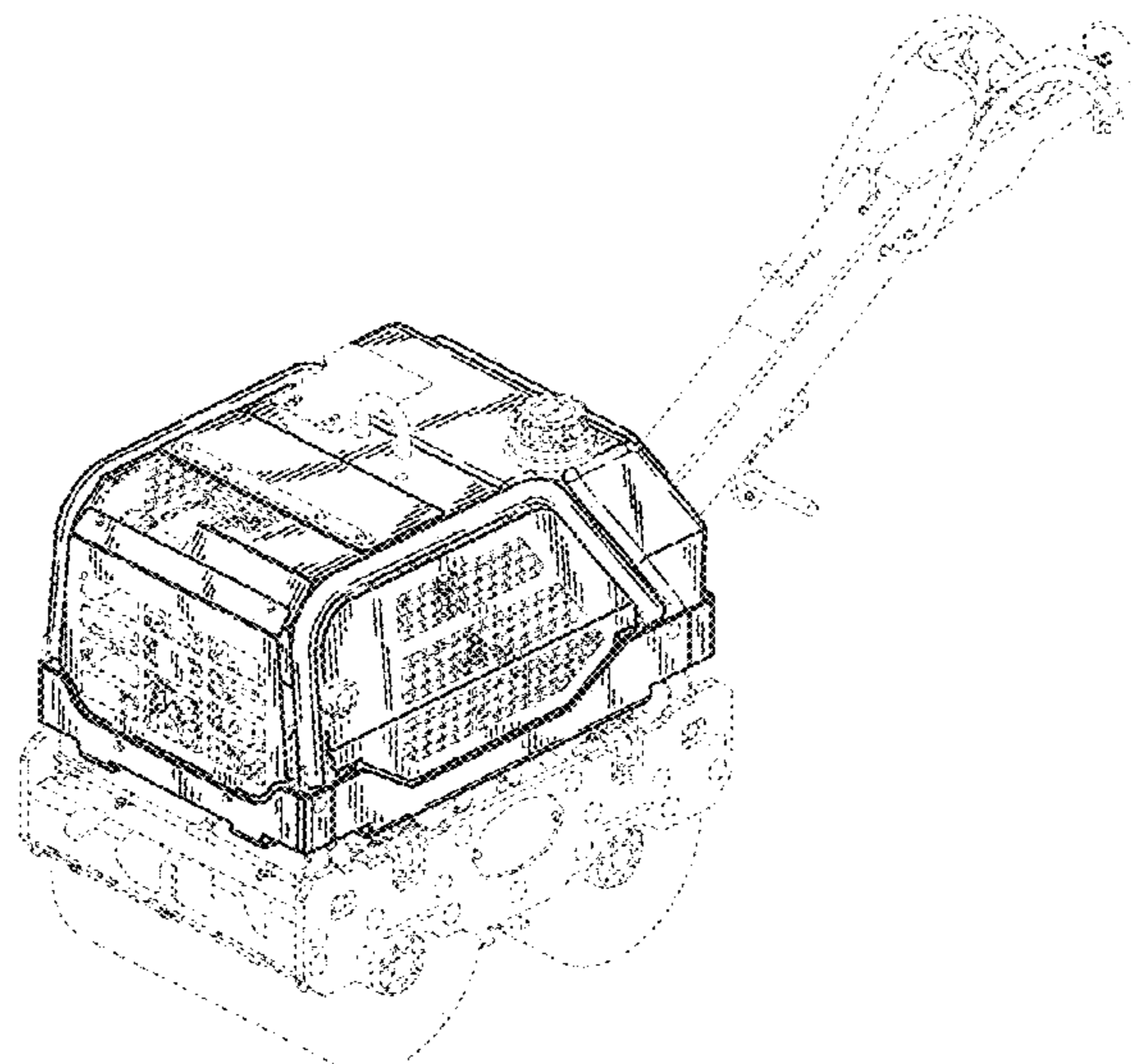
Primary Examiner — Mark Goodwin
(74) *Attorney, Agent, or Firm* — Boyle Fredrickson, S.C.

(57) **CLAIM**
The ornamental design for a walk-behind compaction roller, as shown and described.

DESCRIPTION

FIG. 1 is an isometric view of a walk-behind compaction roller incorporating our new design, viewed from above, in front of, and from the right side of the compaction roller; FIG. 2 is a right side elevation view thereof; FIG. 3 is a left side elevation view thereof; FIG. 4 is front end elevation view thereof; FIG. 5 is a rear end elevation view thereof; FIG. 6 is a top plan view thereof; and, FIG. 7 is a bottom plan view thereof. The broken lines in the drawings are for illustrative purposes only and form no part of the claimed design.

1 Claim, 7 Drawing Sheets



(56)

References Cited

OTHER PUBLICATIONS

Atlas Copco Dynapac LP6500 Duplex Roller; <http://www.dynapac.com/en/Products/?product=613@cat=16>.

Mutiquip MRH601 DS Walk-Behind Tandem Drum Roller; <http://www.mutiquip.com/mutiquip/MRH601DS/htm>.

* cited by examiner

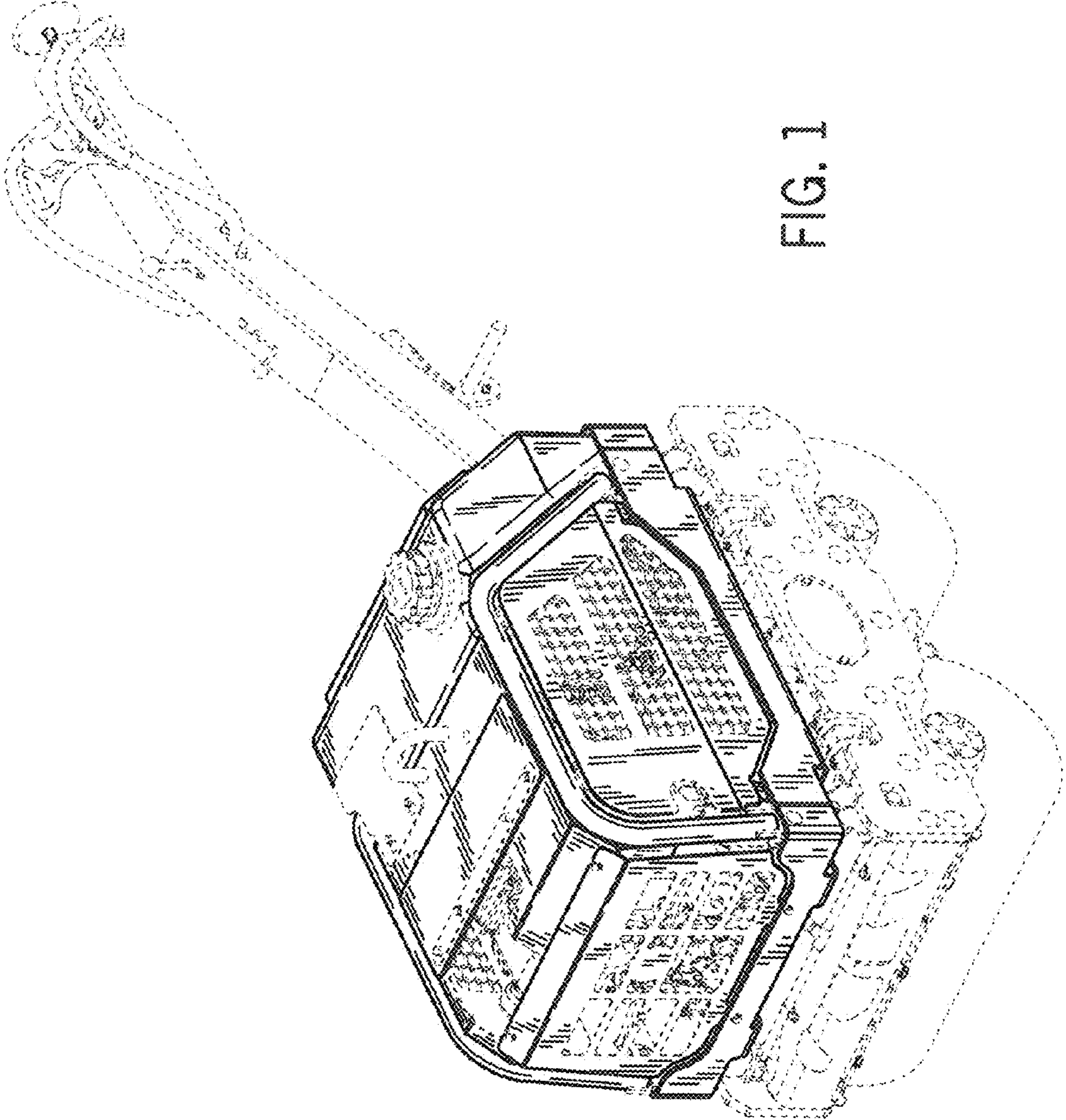


FIG. 1

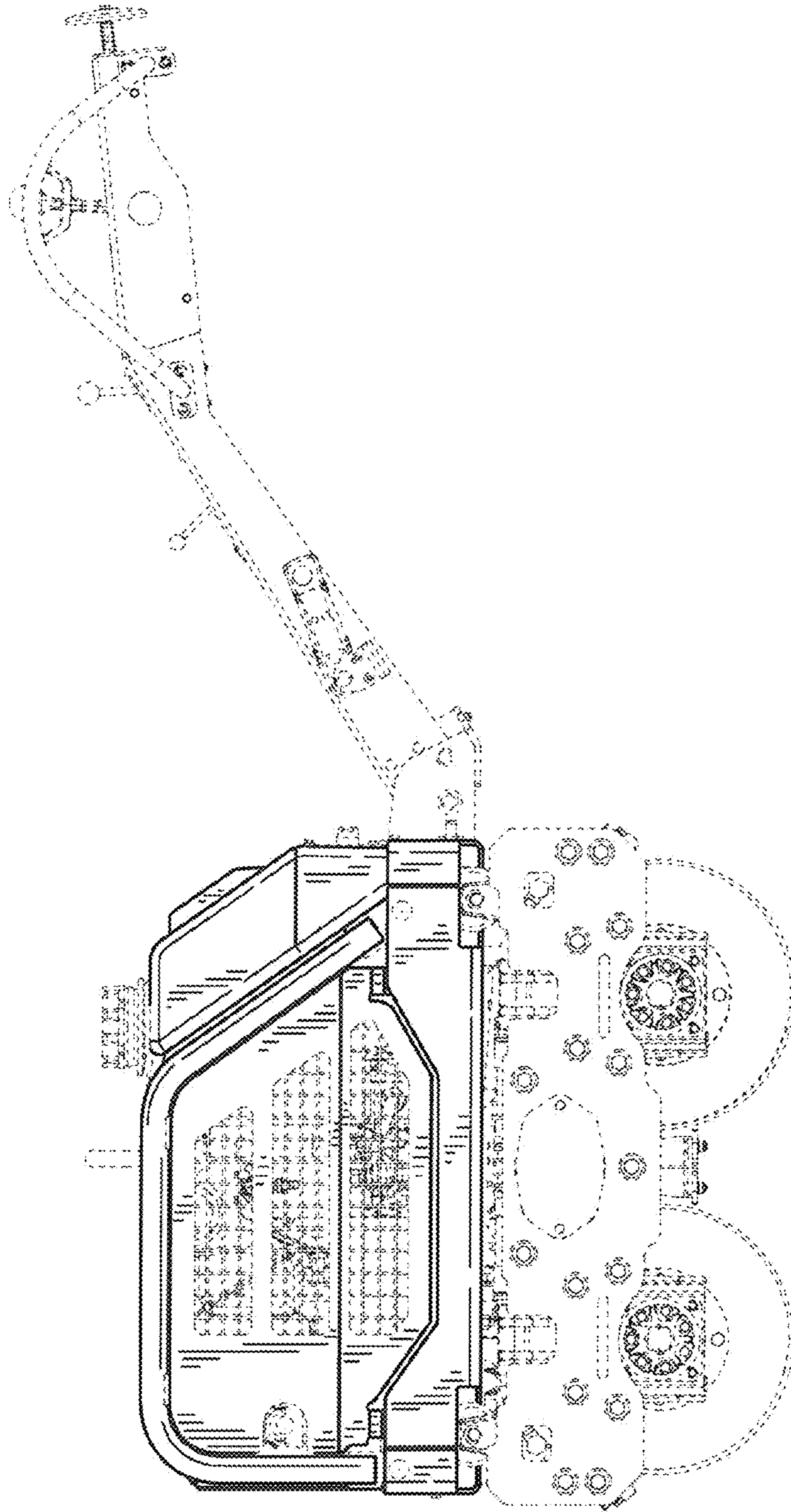


FIG. 2

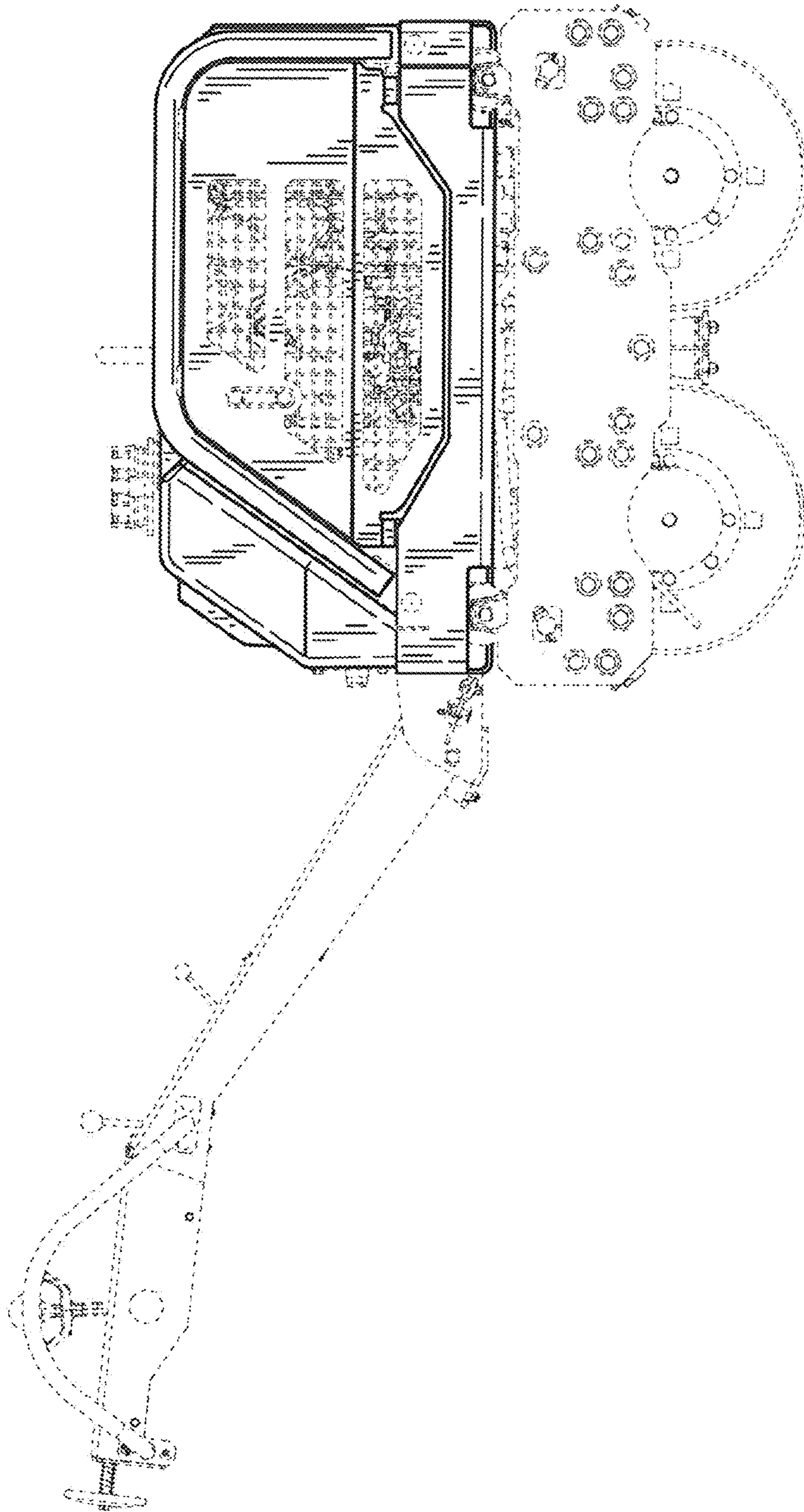


FIG. 3

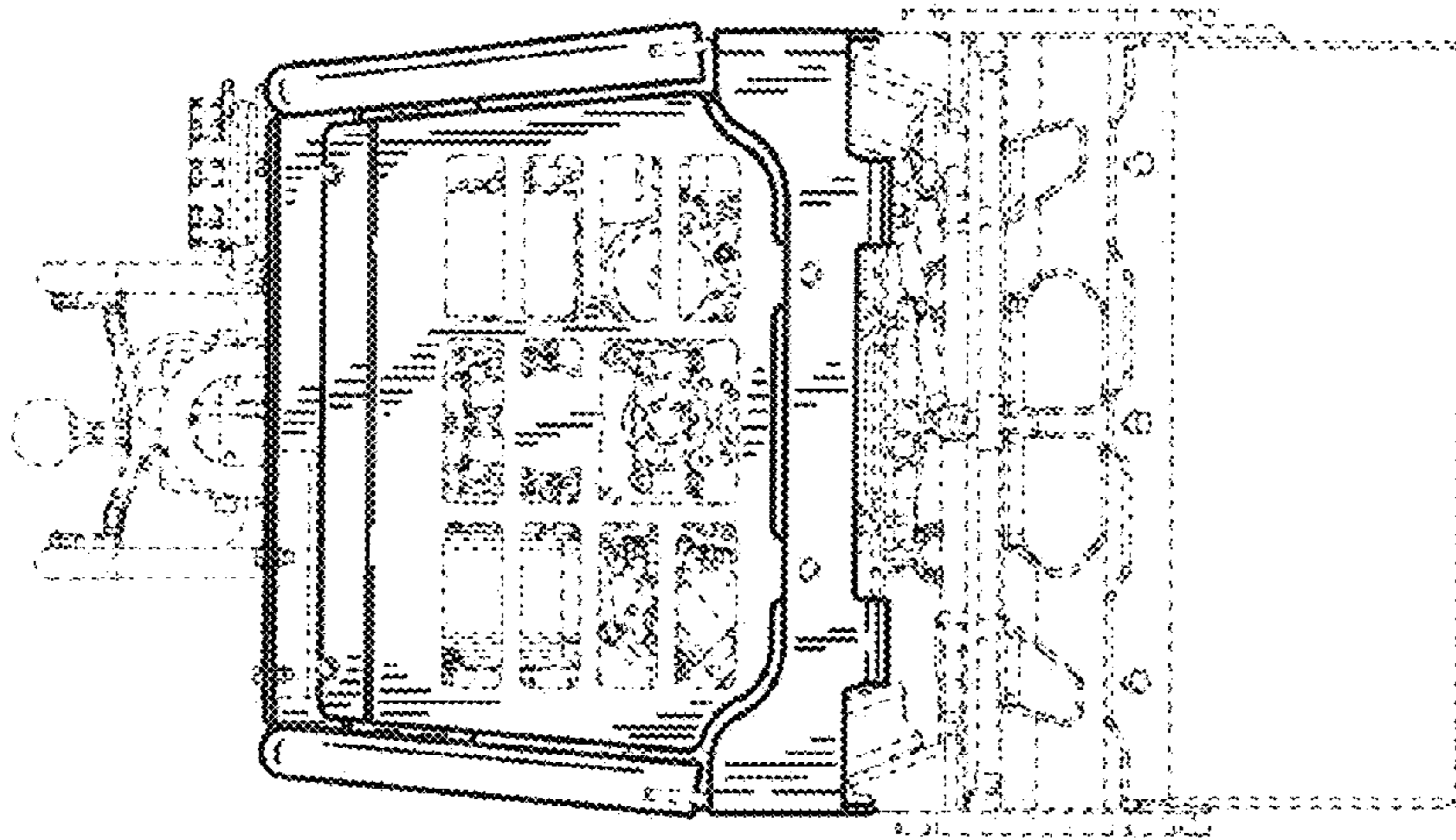


FIG. 4

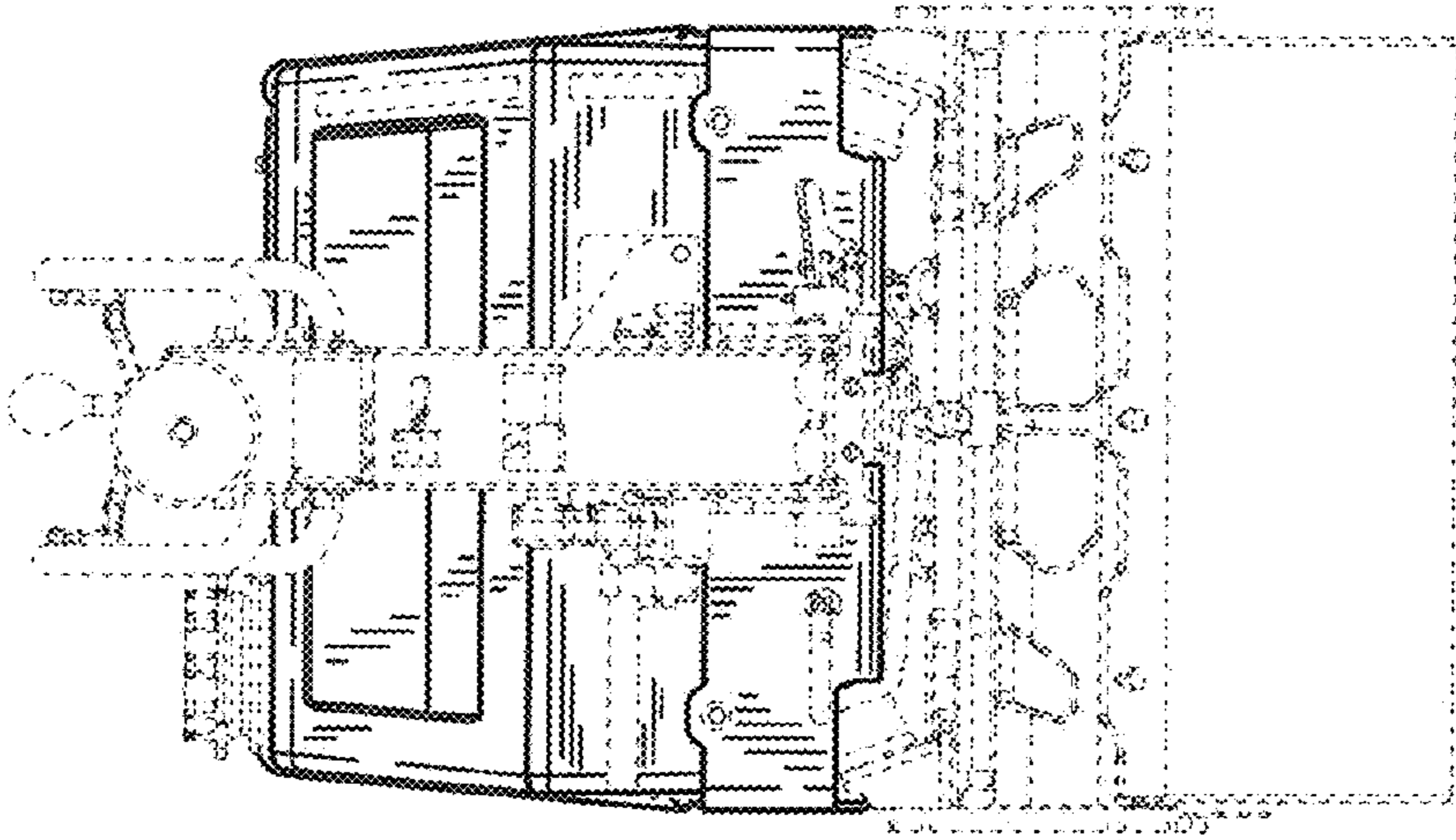


FIG. 5

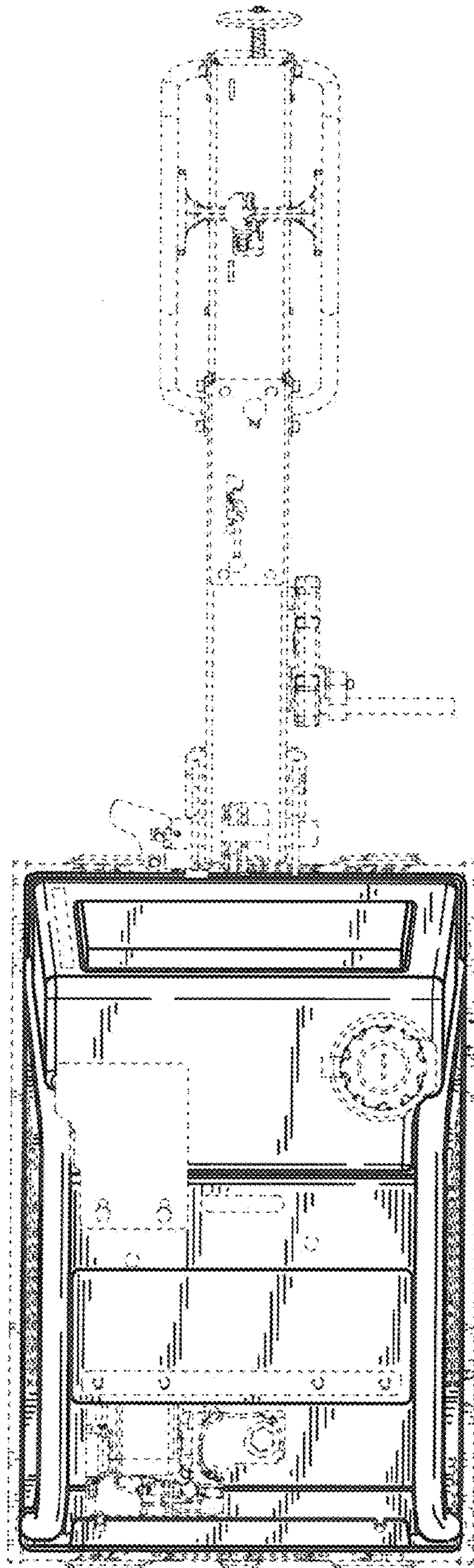


FIG. 6

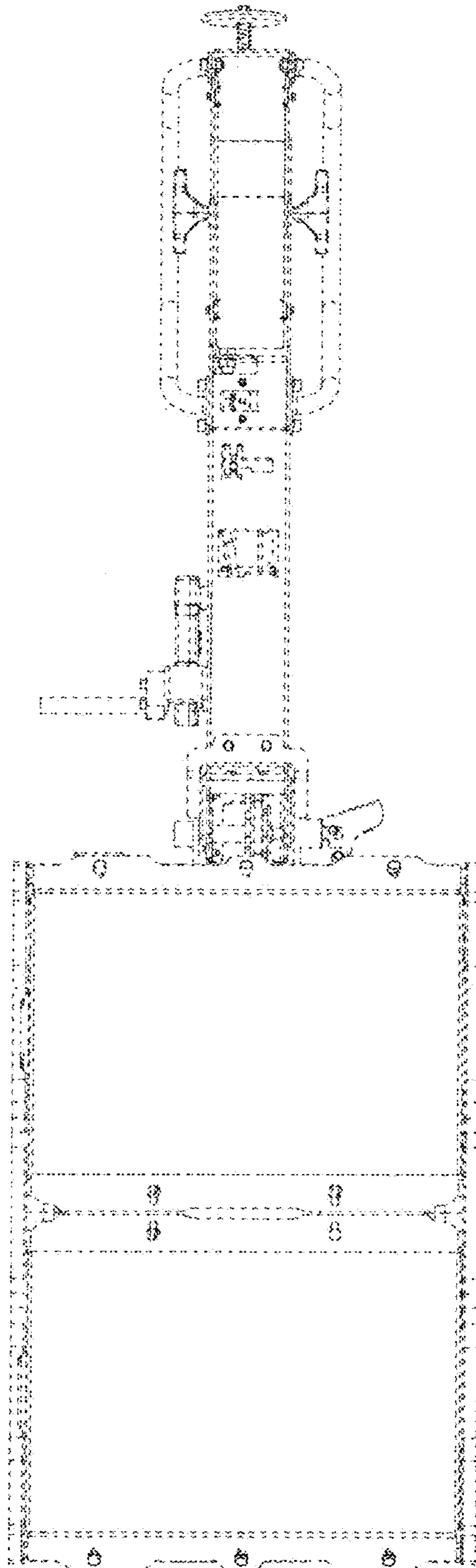


FIG. 7