



US00D760299S

(12) **United States Design Patent**  
**Achten**

(10) **Patent No.:** **US D760,299 S**  
(45) **Date of Patent:** **\*\* Jun. 28, 2016**

(54) **AGRICULTURAL MACHINE**  
(71) Applicant: **LEMKEN GmbH & Co. KG**, Alpen (DE)  
(72) Inventor: **Georg Achten**, Tönisvorst (DE)  
(73) Assignee: **LEMKEN GmbH & Co. KG**, Alpen (DE)  
(\*\*) Term: **14 Years**  
(21) Appl. No.: **29/520,010**  
(22) Filed: **Mar. 10, 2015**  
(51) **LOC (10) Cl.** ..... **15-03**  
(52) **U.S. Cl.**  
USPC ..... **D15/11; D15/27**  
(58) **Field of Classification Search**  
USPC ..... D15/10, 11, 27-29, 33; 172/178, 579, 172/311, 568, 612, 468, 637, 662, 684.5, 172/689, 551, 576, 565, 455, 518, 527, 567, 172/586, 142, 152, 154, 181, 196, 442, 440, 172/441, 314, 548, 454, 583, 140, 776, 22, 172/145-147, 175, 669, 452, 2-11  
CPC .... A01B 49/02; A01B 49/027; A01B 23/046; A01B 23/00; A01B 23/04; A01B 21/083; A01B 21/00; A01B 21/08  
See application file for complete search history.

D706,835 S \* 6/2014 Degelman ..... D15/11  
8,770,310 B2 \* 7/2014 Kovach ..... A01B 49/02  
172/166  
D748,678 S \* 2/2016 Kelly ..... D15/27  
2003/0085044 A1 \* 5/2003 McFarlane ..... A01B 49/02  
172/146  
2010/0084148 A1 \* 4/2010 Kovach ..... A01B 49/02  
172/145  
2010/0276166 A1 \* 11/2010 Kovach ..... A01B 49/02  
172/158  
2010/0276167 A1 \* 11/2010 Kovach ..... A01B 49/02  
172/158

\* cited by examiner

*Primary Examiner* — Mark Goodwin

(74) *Attorney, Agent, or Firm* — James Creighton Wray

(57) **CLAIM**

The ornamental design for an agricultural machine, as shown and described.

**DESCRIPTION**

FIG. 1 is a top, left side and front perspective view of the agricultural machine.  
FIG. 2 is a top, right side and rear perspective view of the agricultural machine shown in FIG. 1.  
FIG. 3 is a top plan view of the agricultural machine shown in FIGS. 1 and 2.  
FIG. 4 is a bottom view of the agricultural machine shown in FIGS. 1-3.  
FIG. 5 is a front elevation of the agricultural machine shown in FIGS. 1-4.  
FIG. 6 is a rear elevation of the agricultural machine shown in FIGS. 1-5.  
FIG. 7 is a left side elevation of the agricultural machine shown in FIGS. 1-6. The right side elevation view is a mirror image of the left side.  
FIG. 8 is a partial top, front and right perspective view of the agricultural machine shown in FIGS. 1-7; and,  
FIG. 9 is a partial top, rear and right side perspective view of the agricultural machine shown in FIGS. 1-7.

**1 Claim, 9 Drawing Sheets**

(56) **References Cited**

**U.S. PATENT DOCUMENTS**

3,223,178 A \* 12/1965 Jones ..... A01B 21/083  
172/441  
D234,619 S \* 3/1975 Oelschlager et al. .... D15/27  
D258,657 S \* 3/1981 Stark ..... D15/27  
5,881,820 A \* 3/1999 Baker ..... A01B 21/04  
172/196  
7,578,356 B2 \* 8/2009 Newman ..... A01B 61/04  
172/264  
D635,590 S \* 4/2011 Kovach ..... D15/11  
D646,699 S \* 10/2011 Knobloch ..... D15/27  
D667,847 S \* 9/2012 Kovach ..... D15/11

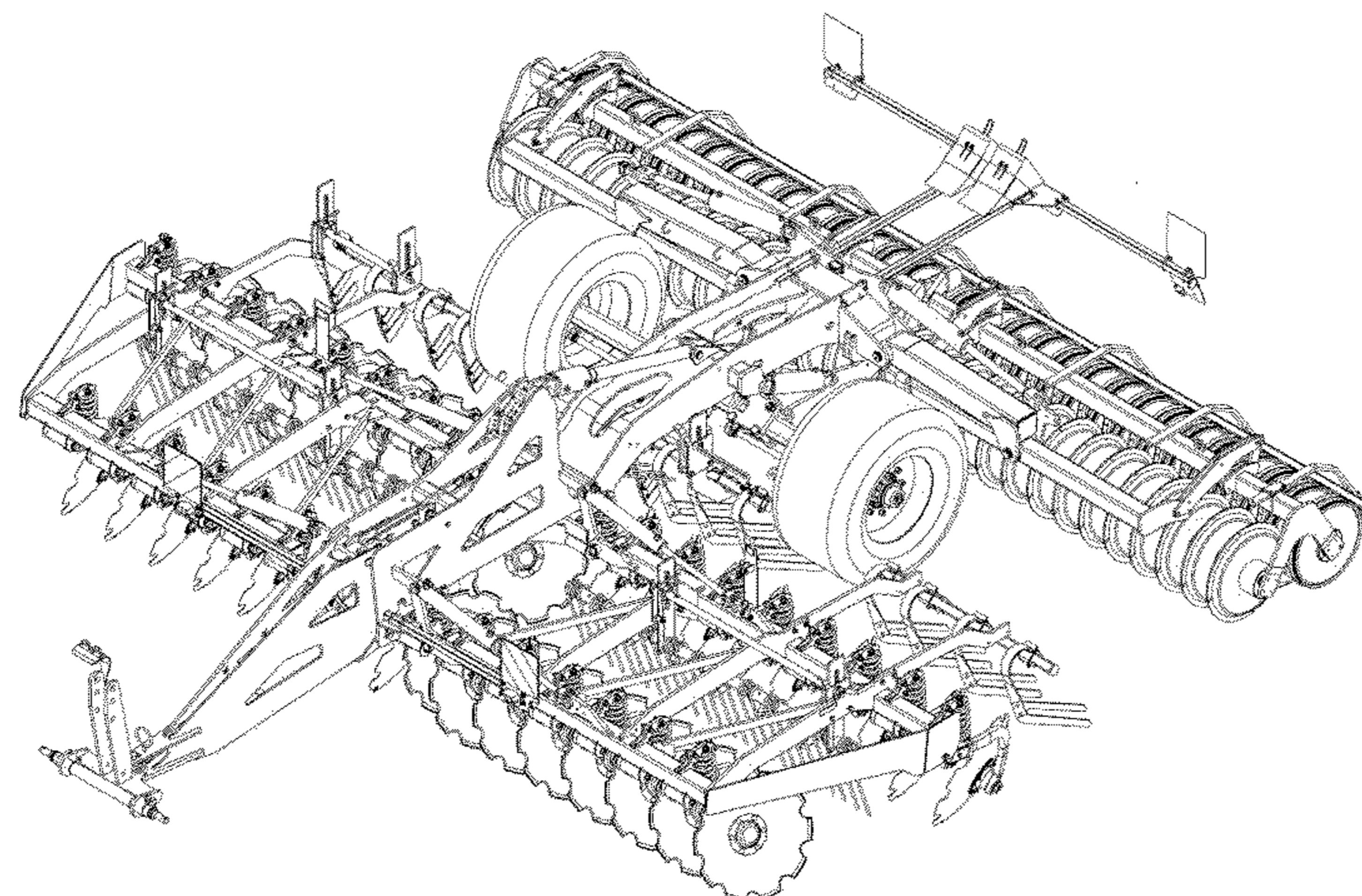
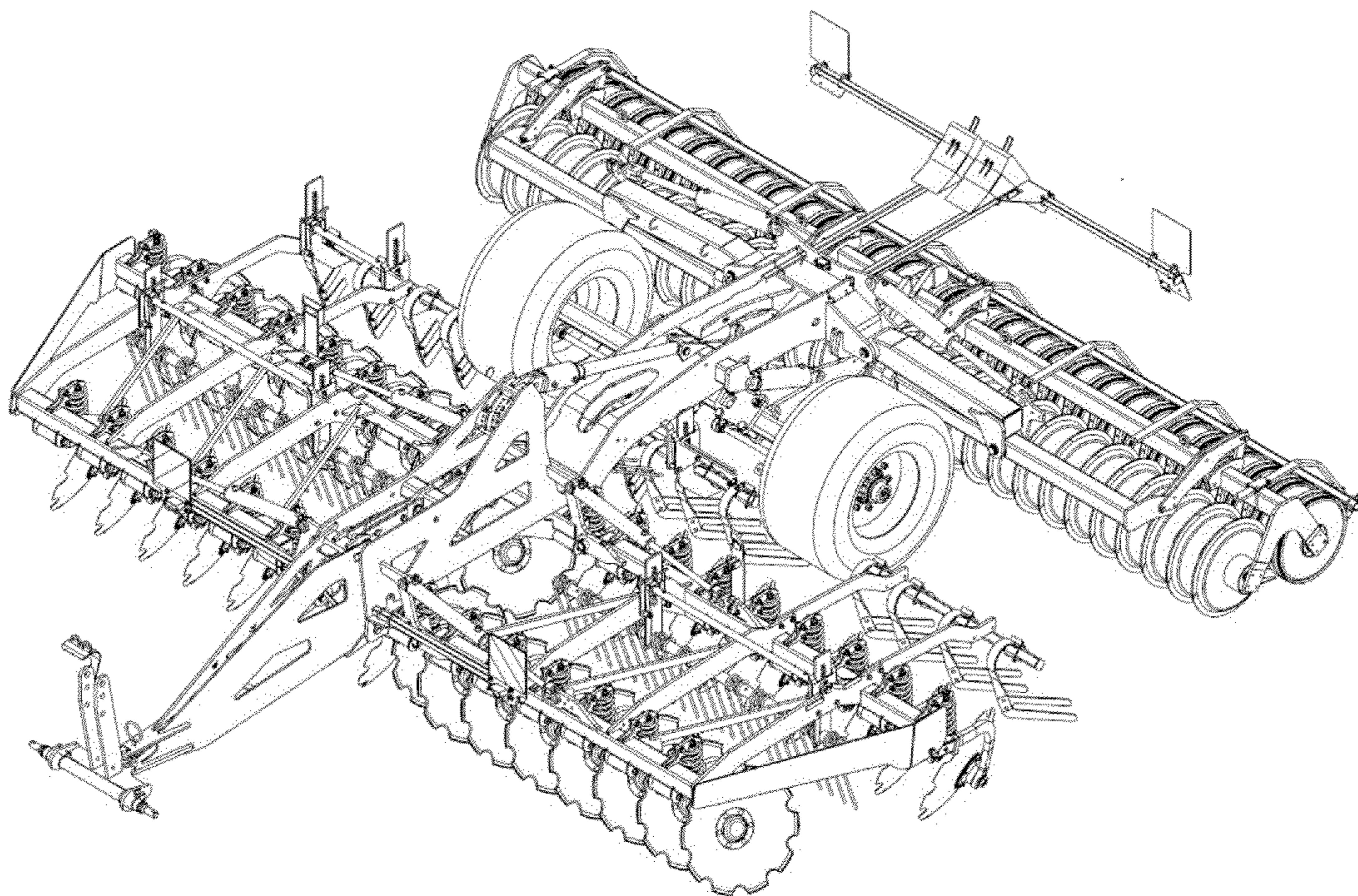


FIG. 1



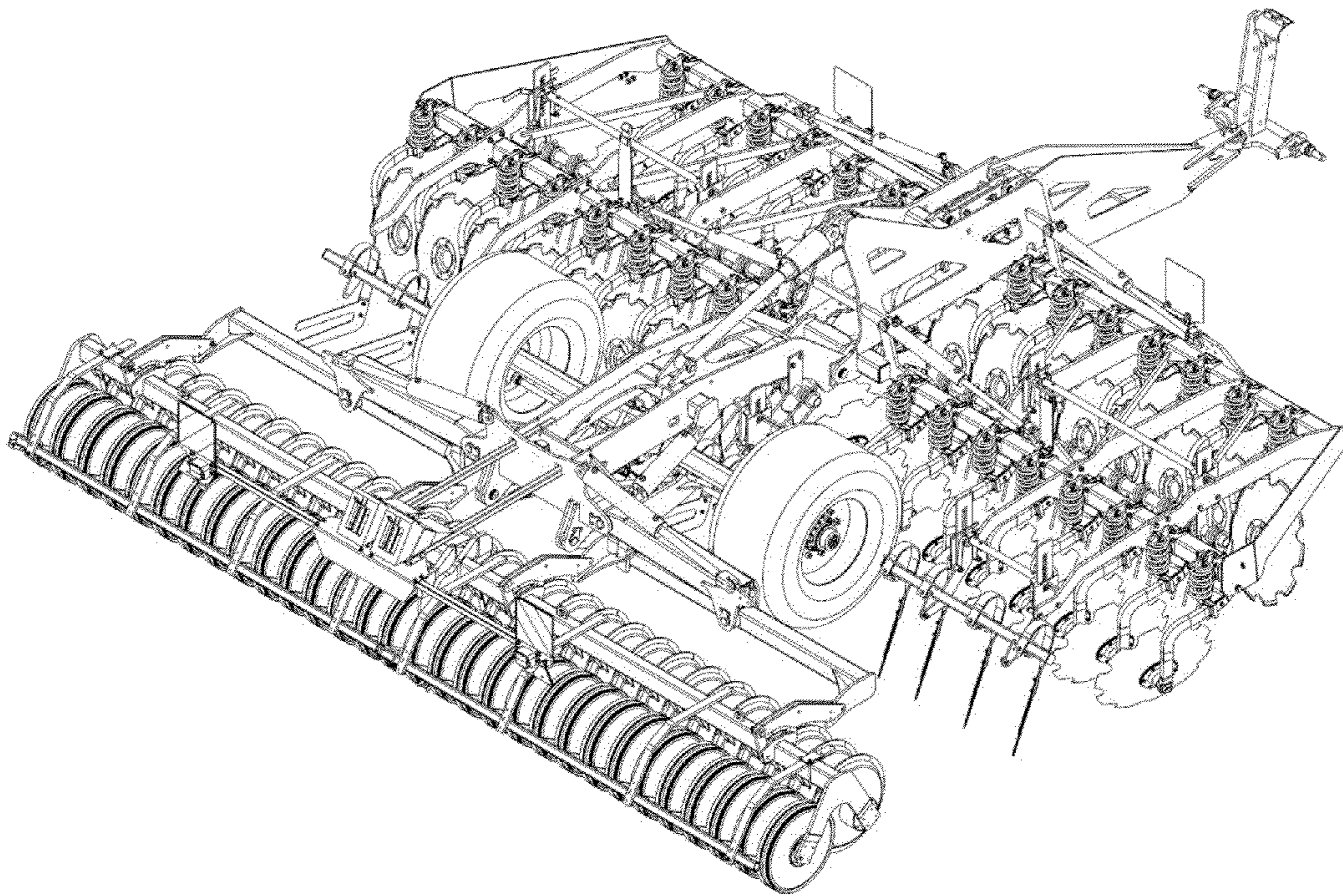
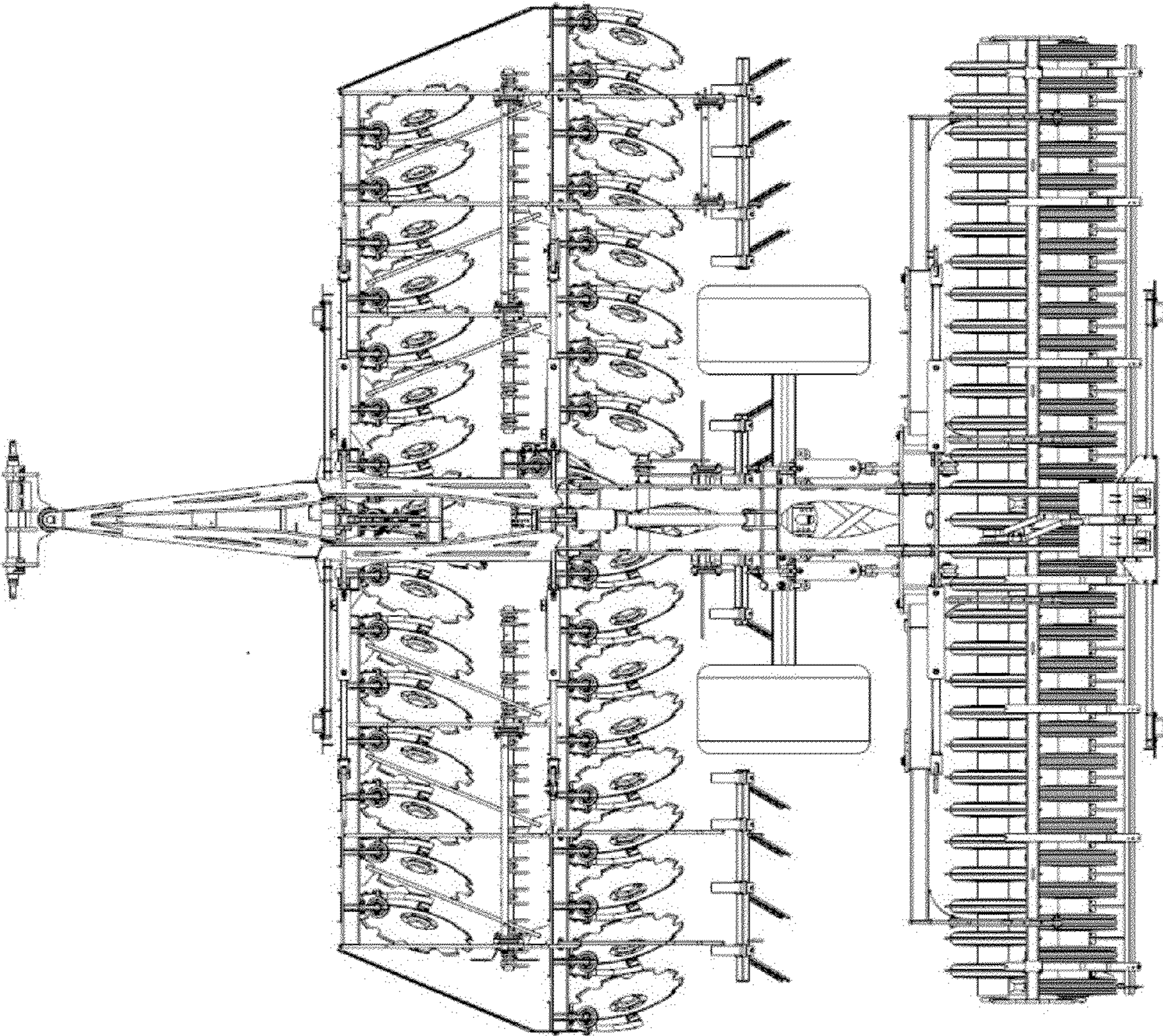


FIG. 2

FIG. 3



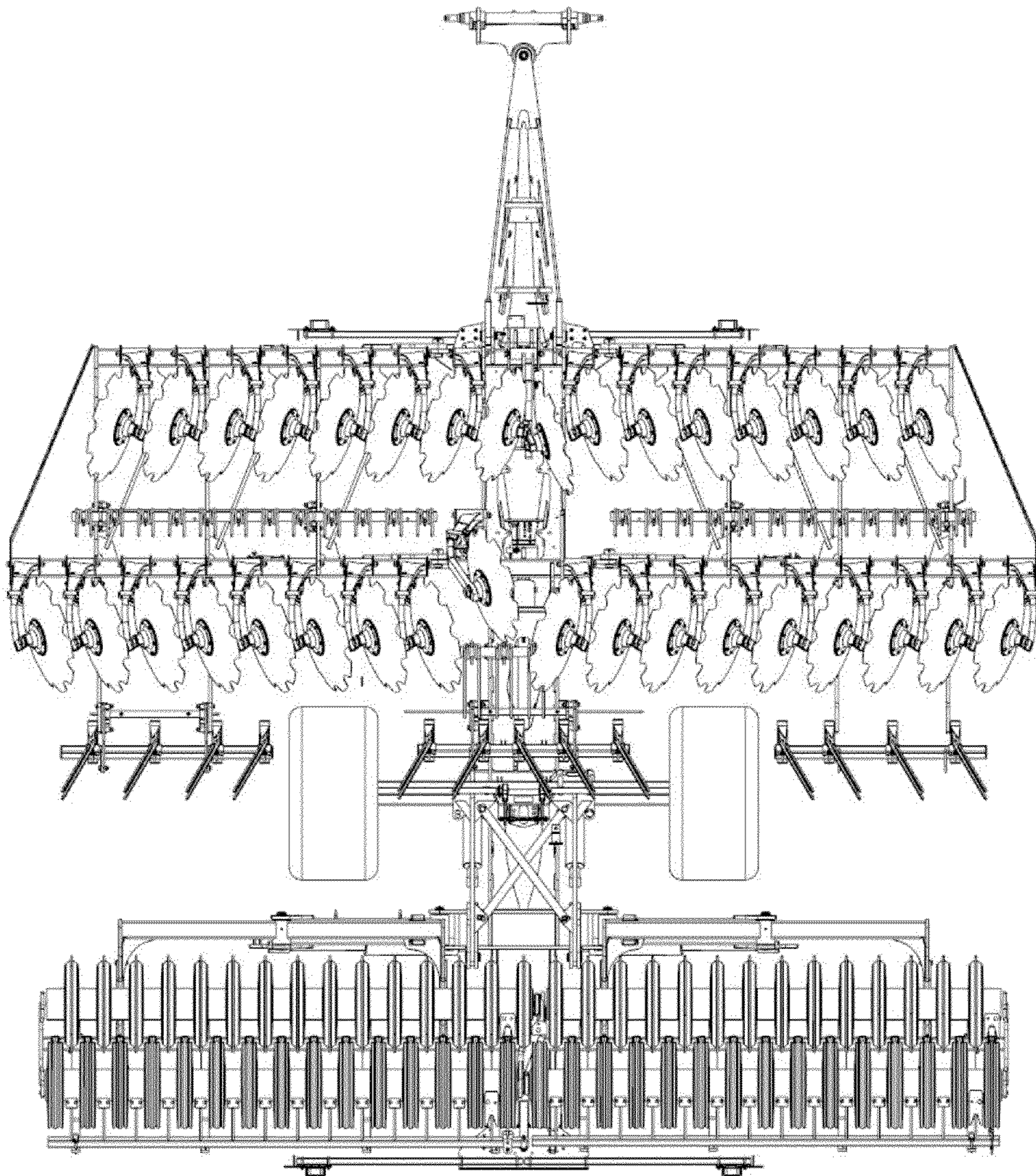


FIG. 4

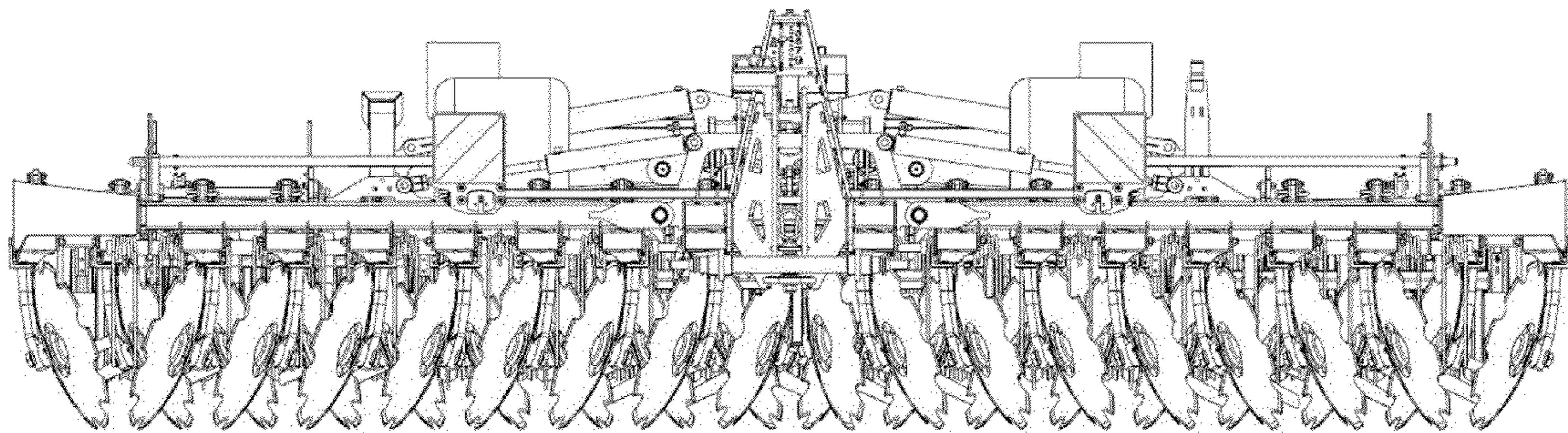


FIG. 5

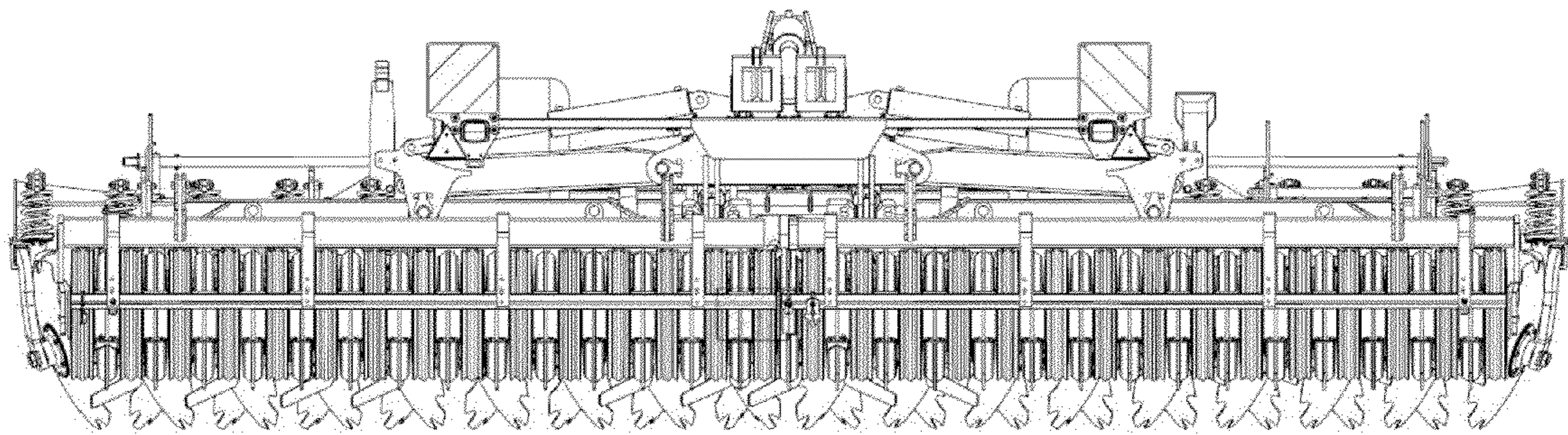


FIG. 6

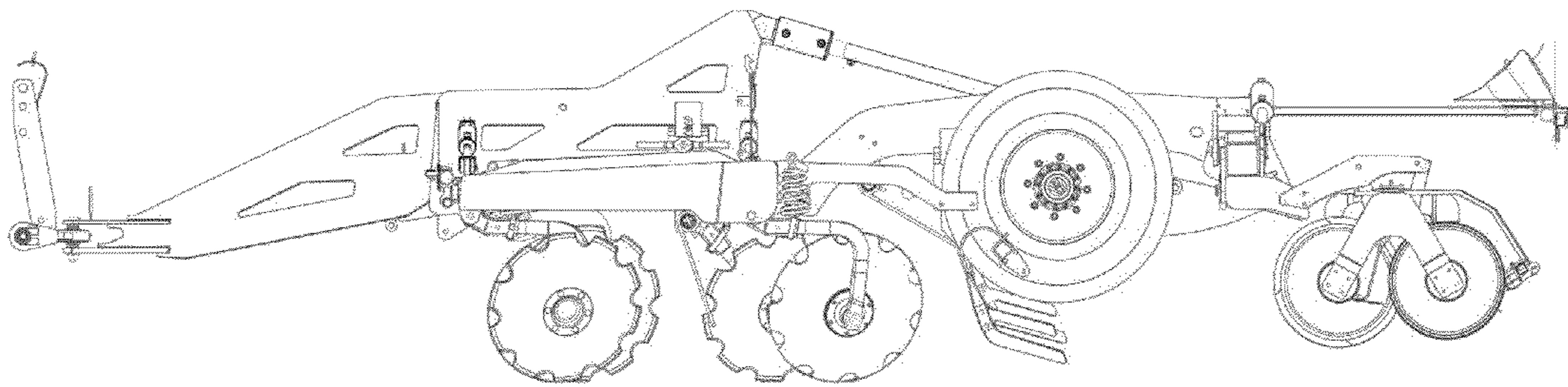


FIG. 7



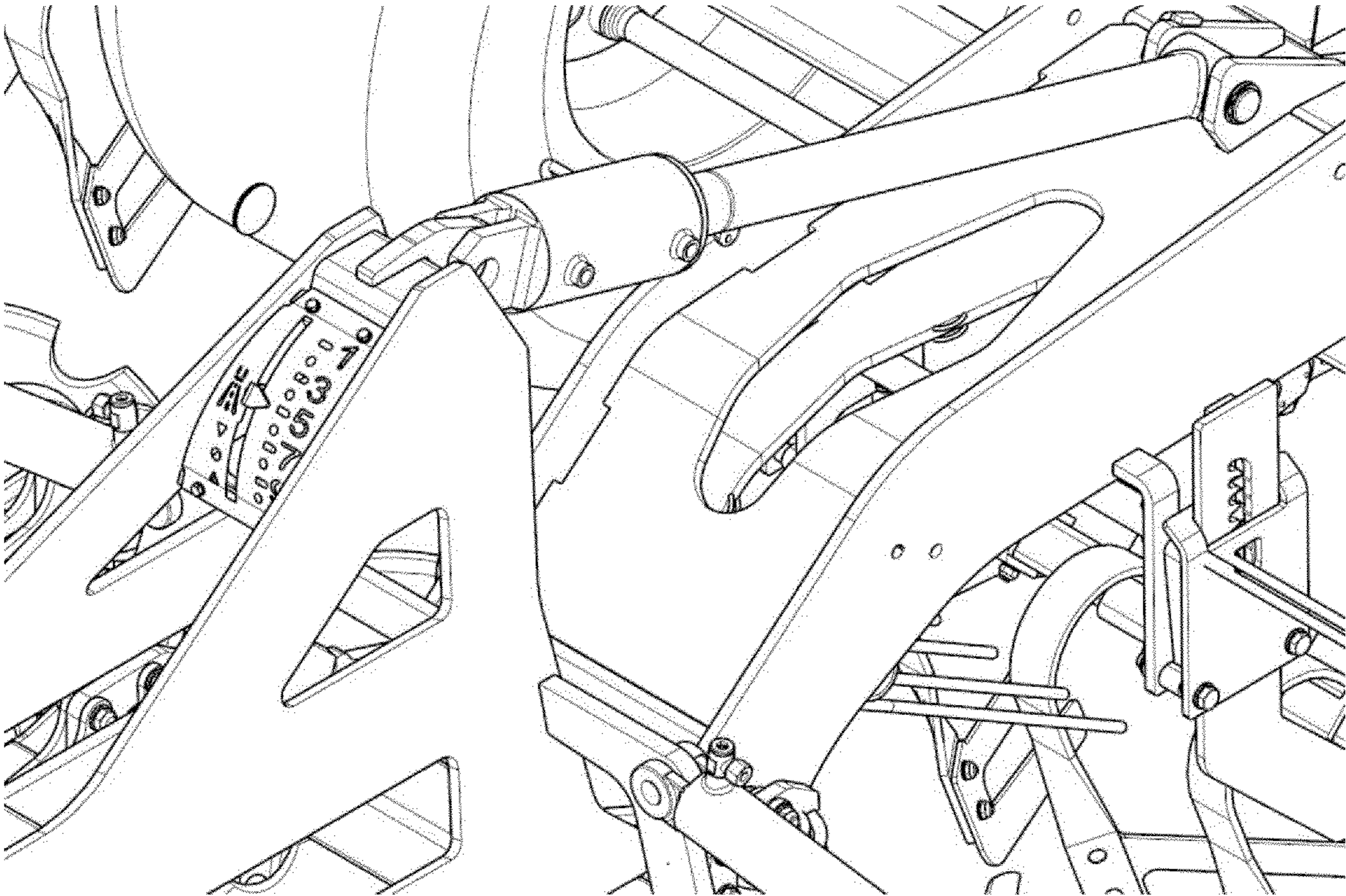


FIG. 8

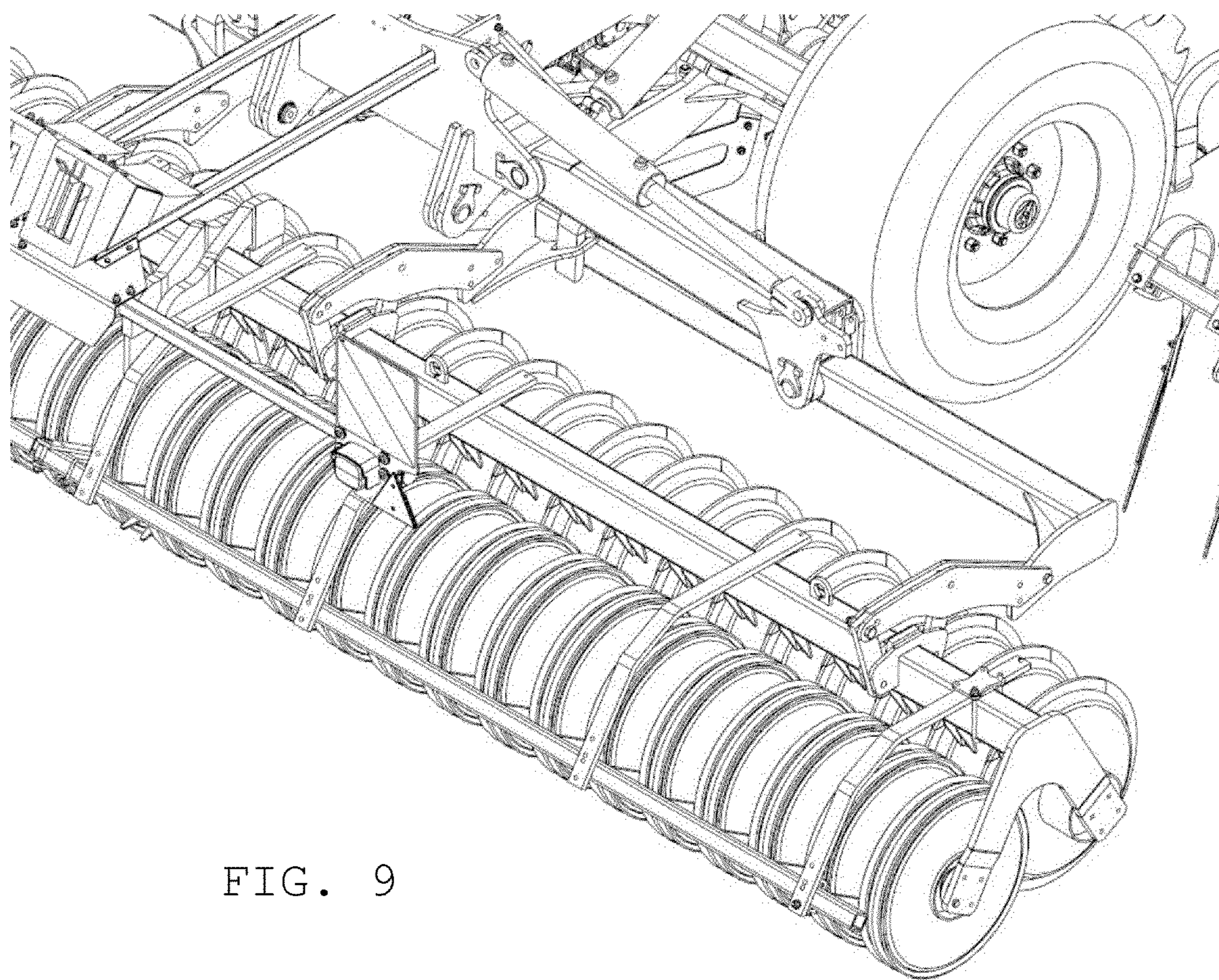


FIG. 9