

US00D760298S

(12) **United States Design Patent**
Hsu et al.

(10) **Patent No.:** **US D760,298 S**
(45) **Date of Patent:** **** Jun. 28, 2016**

(54) **LOWER HOUSING ASSEMBLY FOR SUPERCHARGER**

(71) Applicants: **David Hsu**, Norco, CA (US); **Clinton Yee**, Corona, CA (US)

(72) Inventors: **David Hsu**, Norco, CA (US); **Clinton Yee**, Corona, CA (US)

(73) Assignee: **Group-A Autosports, Inc.**, Norco, CA (US)

(**) Term: **14 Years**

(21) Appl. No.: **29/496,986**

(22) Filed: **Jul. 18, 2014**

(51) **LOC (10) Cl.** **15-01**

(52) **U.S. Cl.**
USPC **D15/5**

(58) **Field of Classification Search**
USPC D15/1-6; 123/559.1, 563, 201.1, 206.1;
D13/184
CPC F02B 33/00; F02B 33/40; F02B 39/14;
F04D 25/04; F04D 29/063
See application file for complete search history.

(56) **References Cited**

U.S. PATENT DOCUMENTS

5,460,145	A *	10/1995	Perry, Jr.	F02B 39/04 123/559.1
5,887,576	A *	3/1999	Wheeler, Jr.	F02B 33/40 123/559.1
6,142,123	A *	11/2000	Galasso	B62M 7/02 123/486
D570,746	S *	6/2008	Arndt	D12/126
7,549,493	B1 *	6/2009	Jones	F02B 33/00 123/559.1
7,654,876	B1 *	2/2010	Jones	F02B 33/40 123/559.1
D626,894	S *	11/2010	Holcomb	D12/126
8,439,019	B1 *	5/2013	Carlson	F16H 7/20 123/559.1

8,439,020	B1 *	5/2013	Carlson	F02B 33/40 123/559.1
2002/0011222	A1 *	1/2002	Bilek	F01B 1/12 123/52.1
2002/0026928	A1 *	3/2002	Korenjak	F01M 11/02 123/572
2002/0032088	A1 *	3/2002	Korenjak	F01B 1/12 474/14
2009/0126673	A1 *	5/2009	Cullen	F01L 1/462 123/193.5
2010/0000498	A1 *	1/2010	Middlebrook	F02B 33/40 123/559.1
2014/0017101	A1 *	1/2014	Staley	F02B 33/38 417/319
2015/0047617	A1 *	2/2015	Benjey	B60K 6/485 123/559.3
2016/0001649	A1 *	1/2016	Benjey	B60K 6/48 477/5

* cited by examiner

Primary Examiner — T. Chase Nelson

Assistant Examiner — Ania Aman

(74) *Attorney, Agent, or Firm* — Steven N. Fox, Esq.

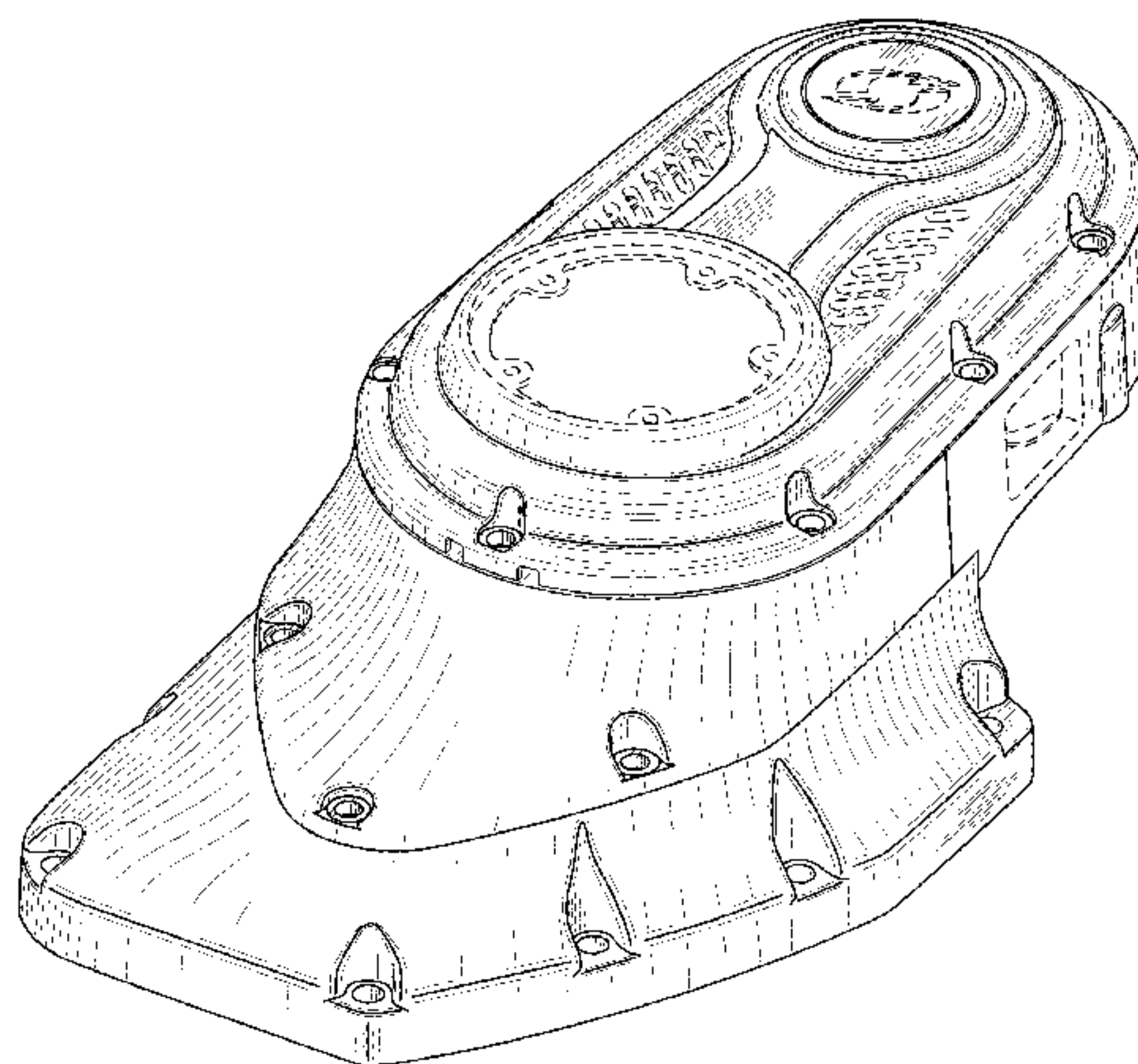
(57) **CLAIM**

The ornamental design for a lower housing assembly for supercharger, as shown and described.

DESCRIPTION

FIG. 1 is a perspective view of a lower housing assembly for supercharger according to the present invention; FIG. 2 is a perspective view of the lower housing assembly for supercharger according to the present invention; FIG. 3 is a left side view thereof; FIG. 4 is a front view thereof; FIG. 5 is a right side view thereof; FIG. 6 is a rear view thereof; FIG. 7 is a top view thereof; and, FIG. 8 is a bottom view thereof. The broken lines shown in the drawings illustrate environmental features and form no part of the claimed design.

1 Claim, 7 Drawing Sheets



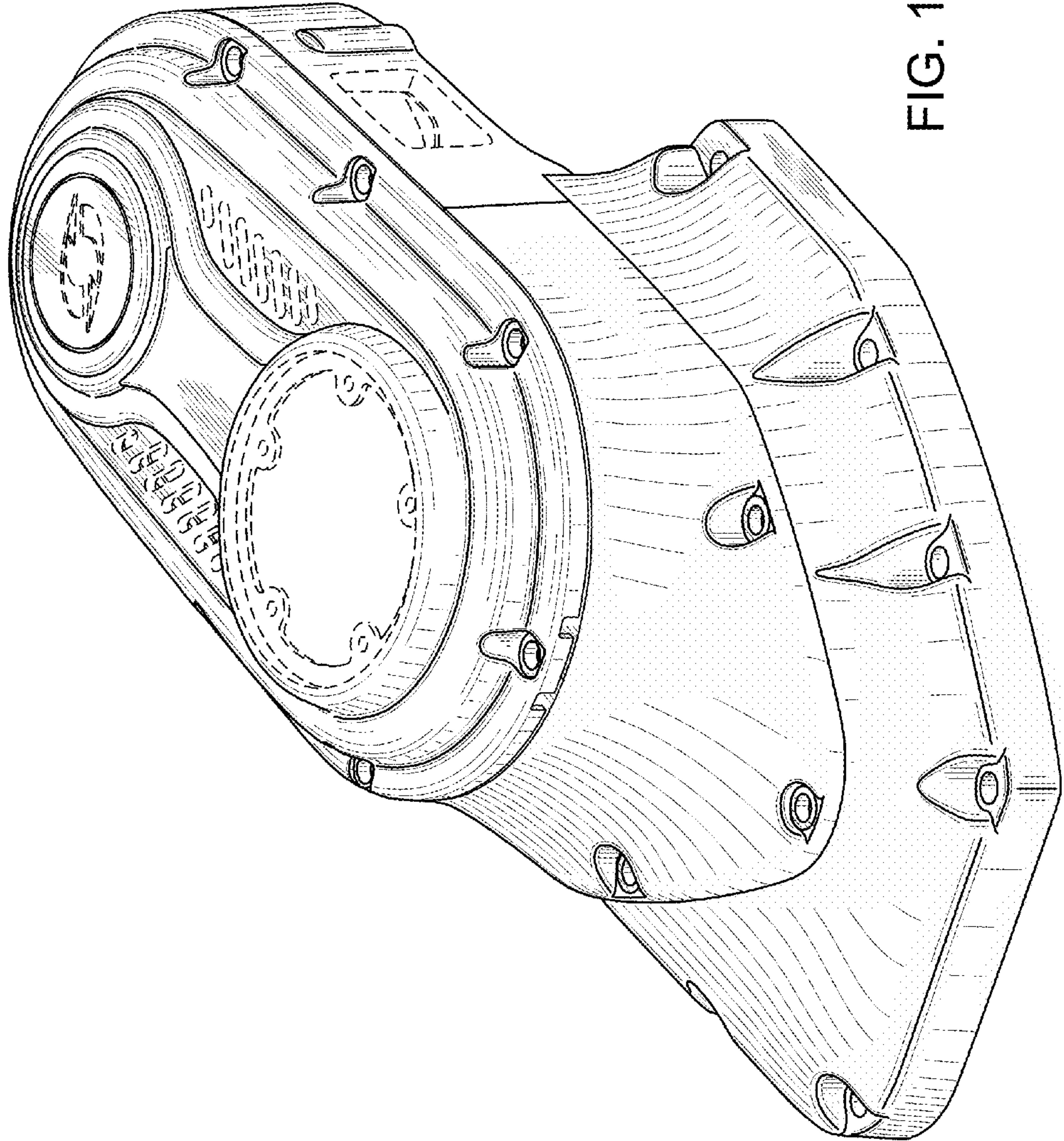


FIG. 1

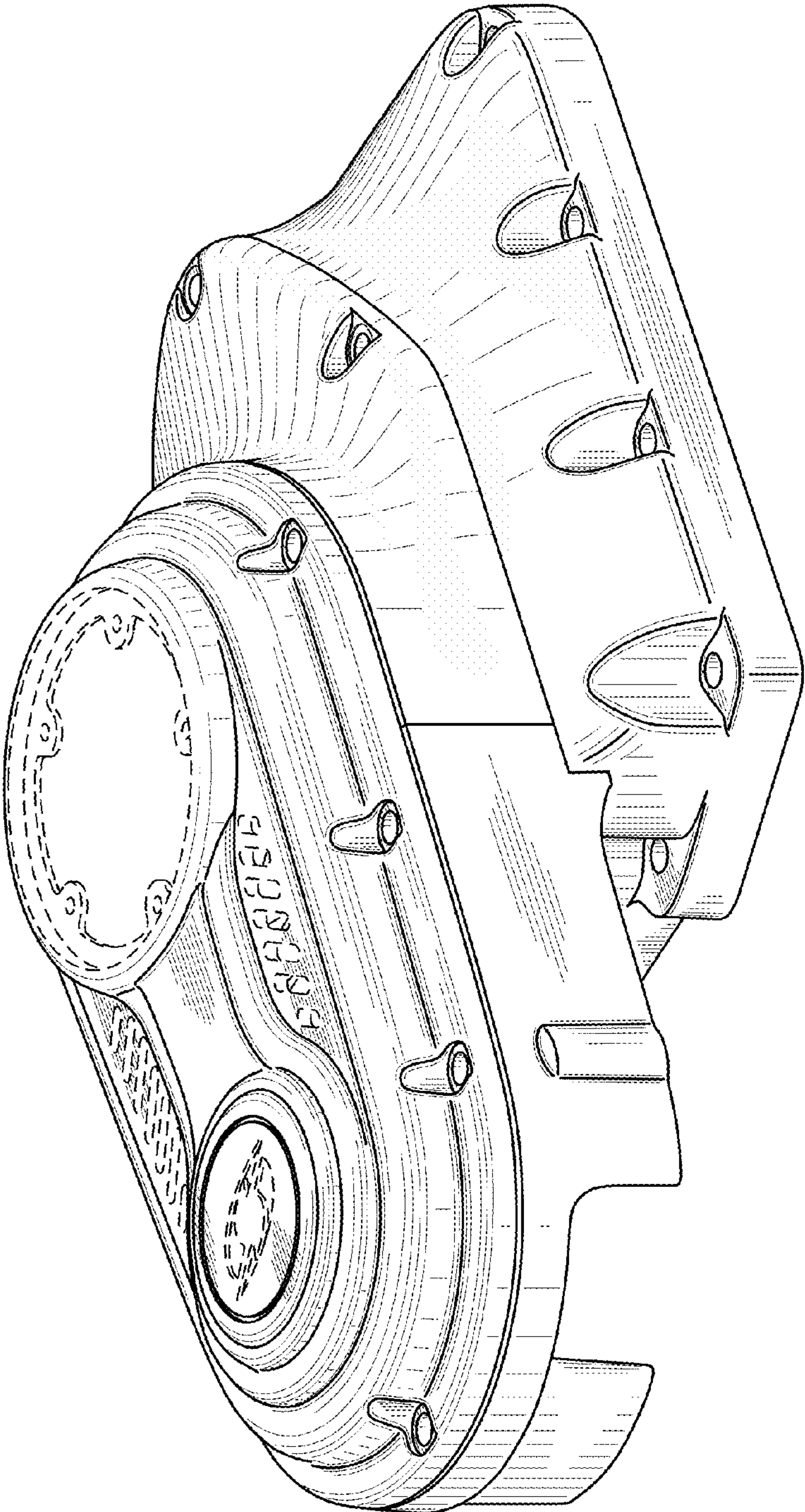


FIG. 2

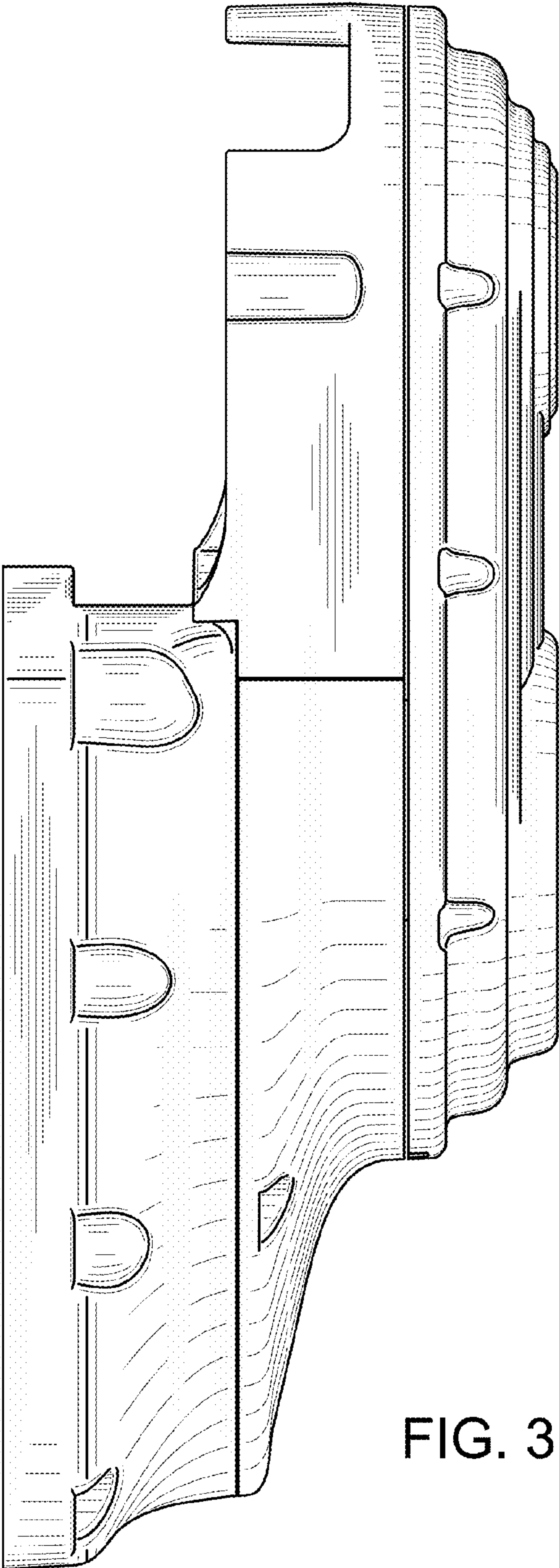


FIG. 3

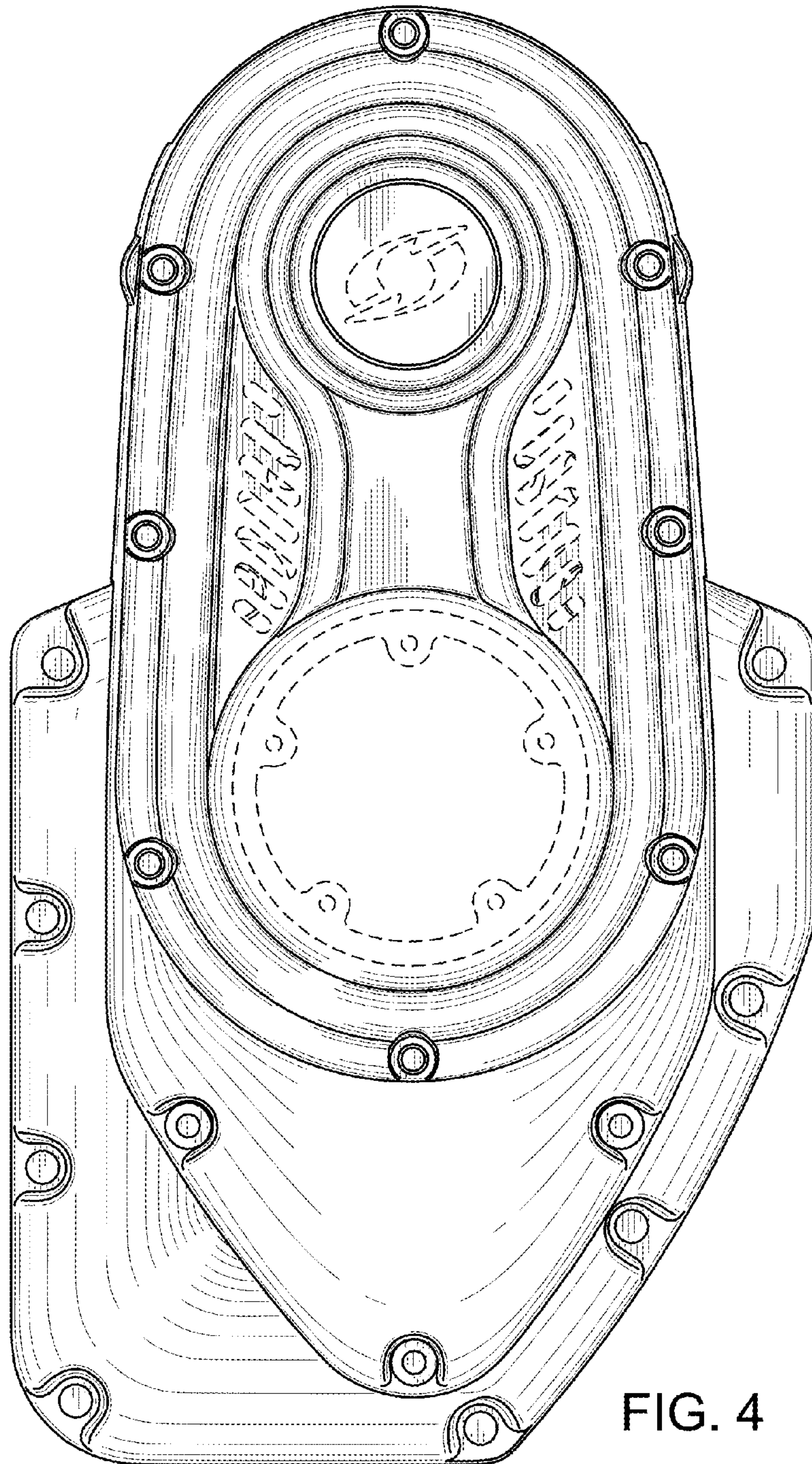


FIG. 4

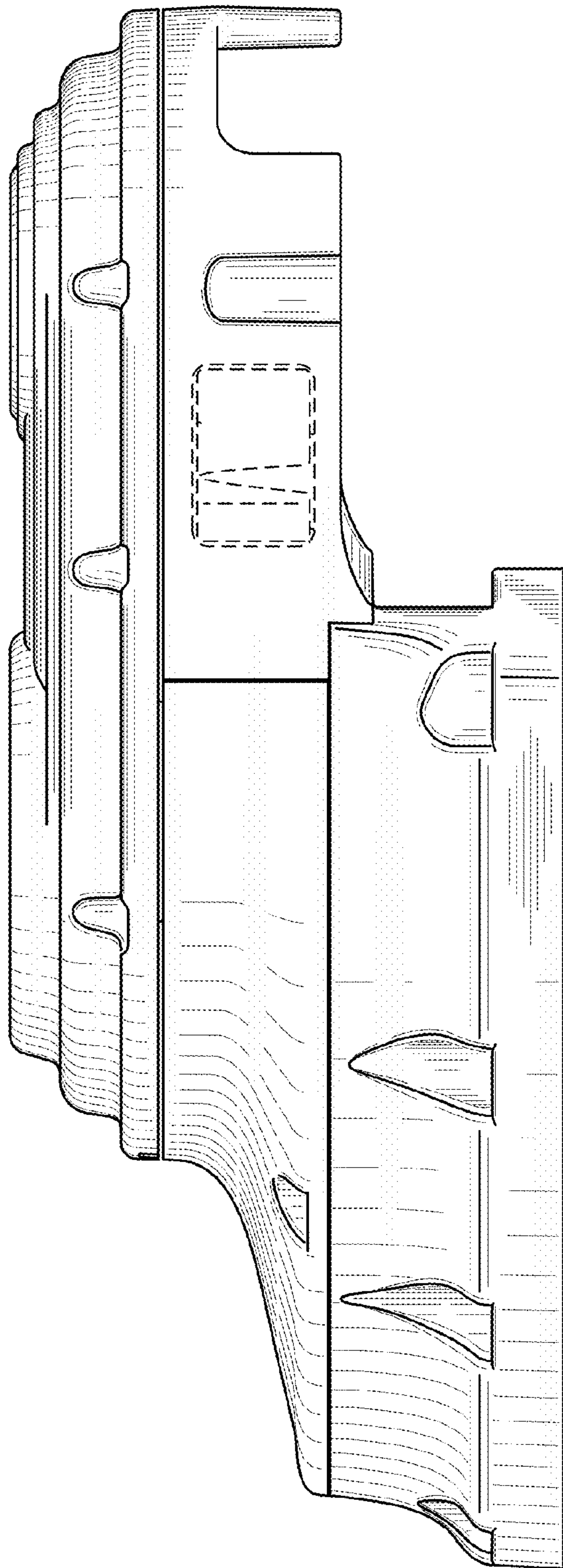


FIG. 5

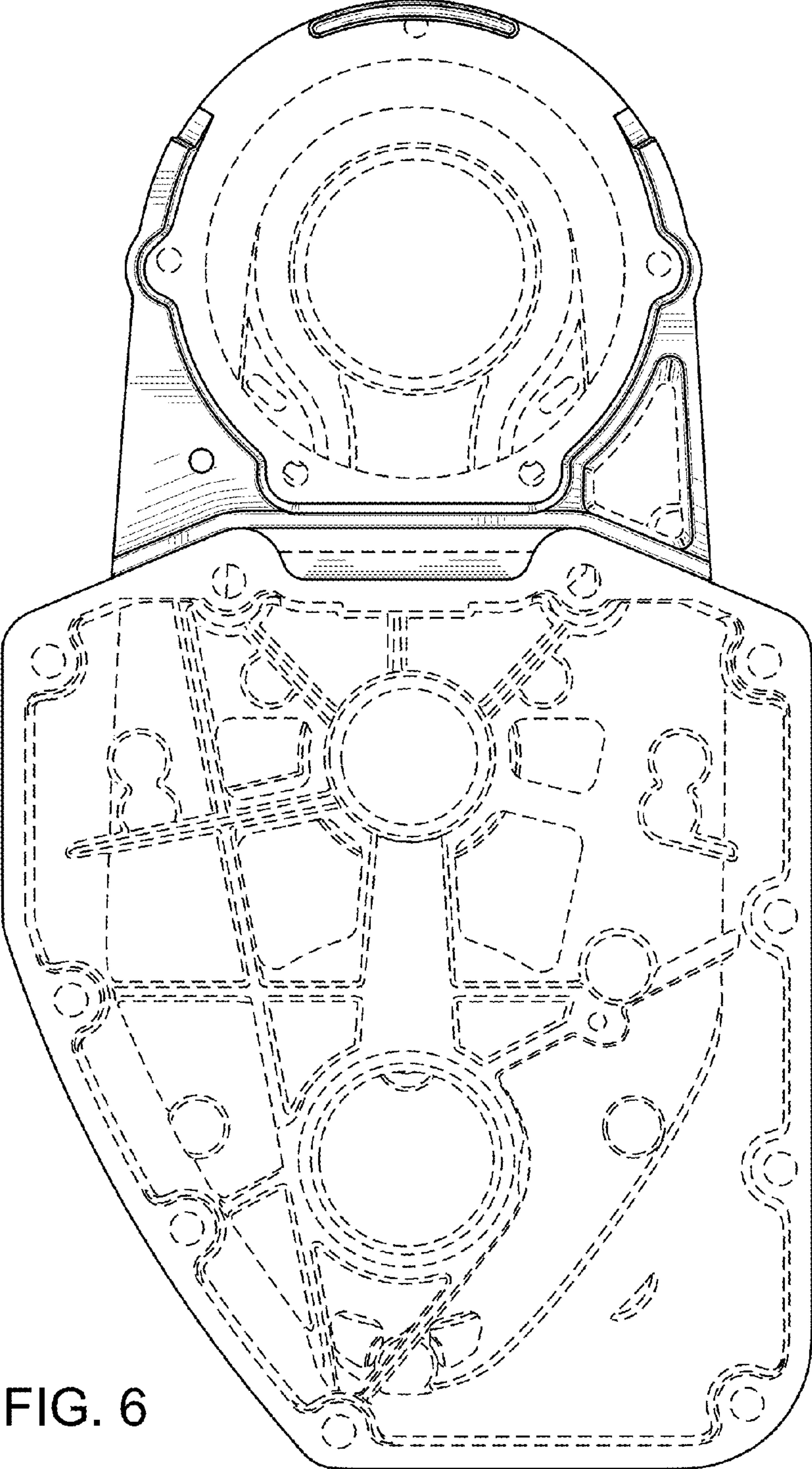


FIG. 6

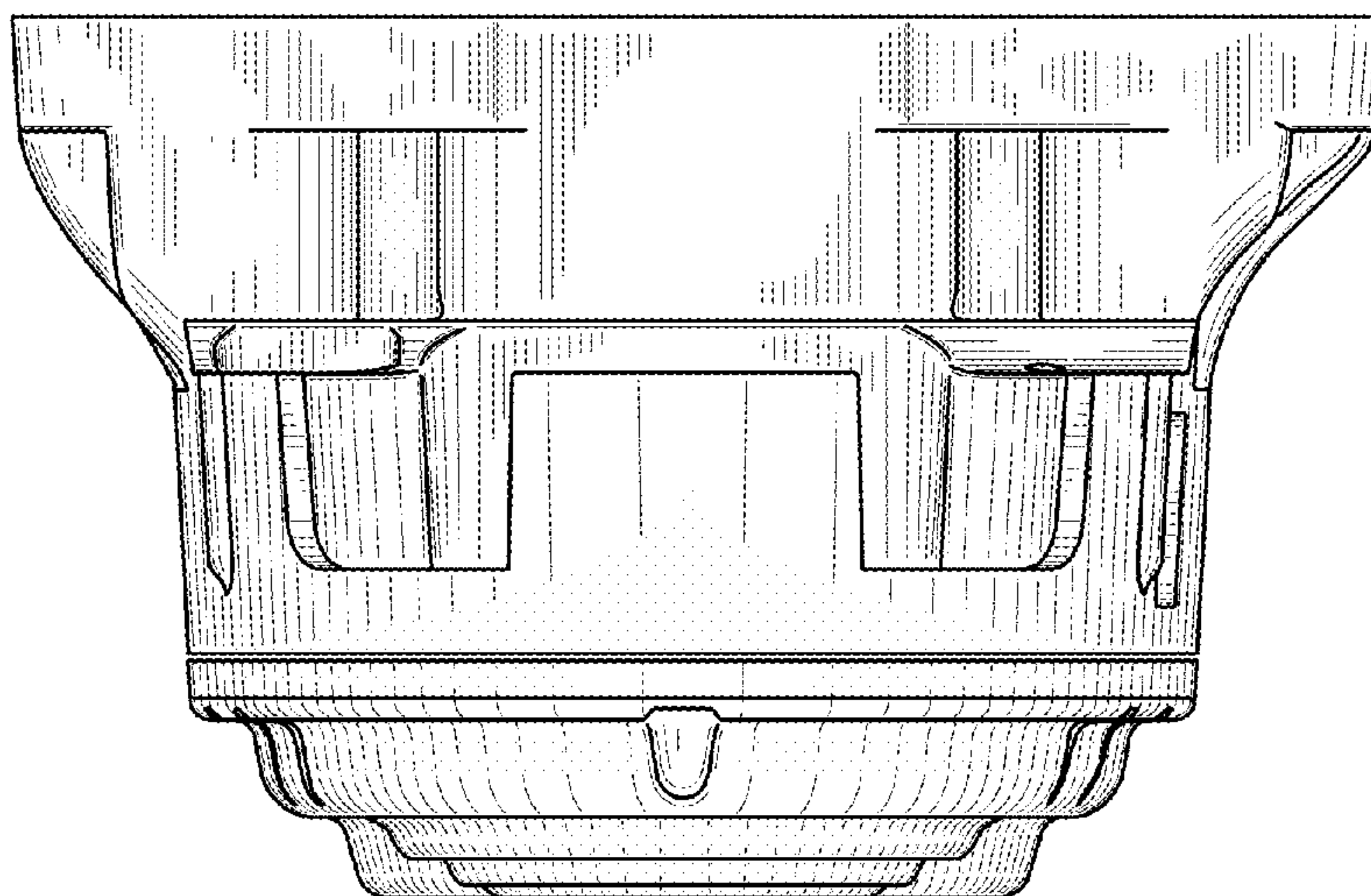


FIG. 7

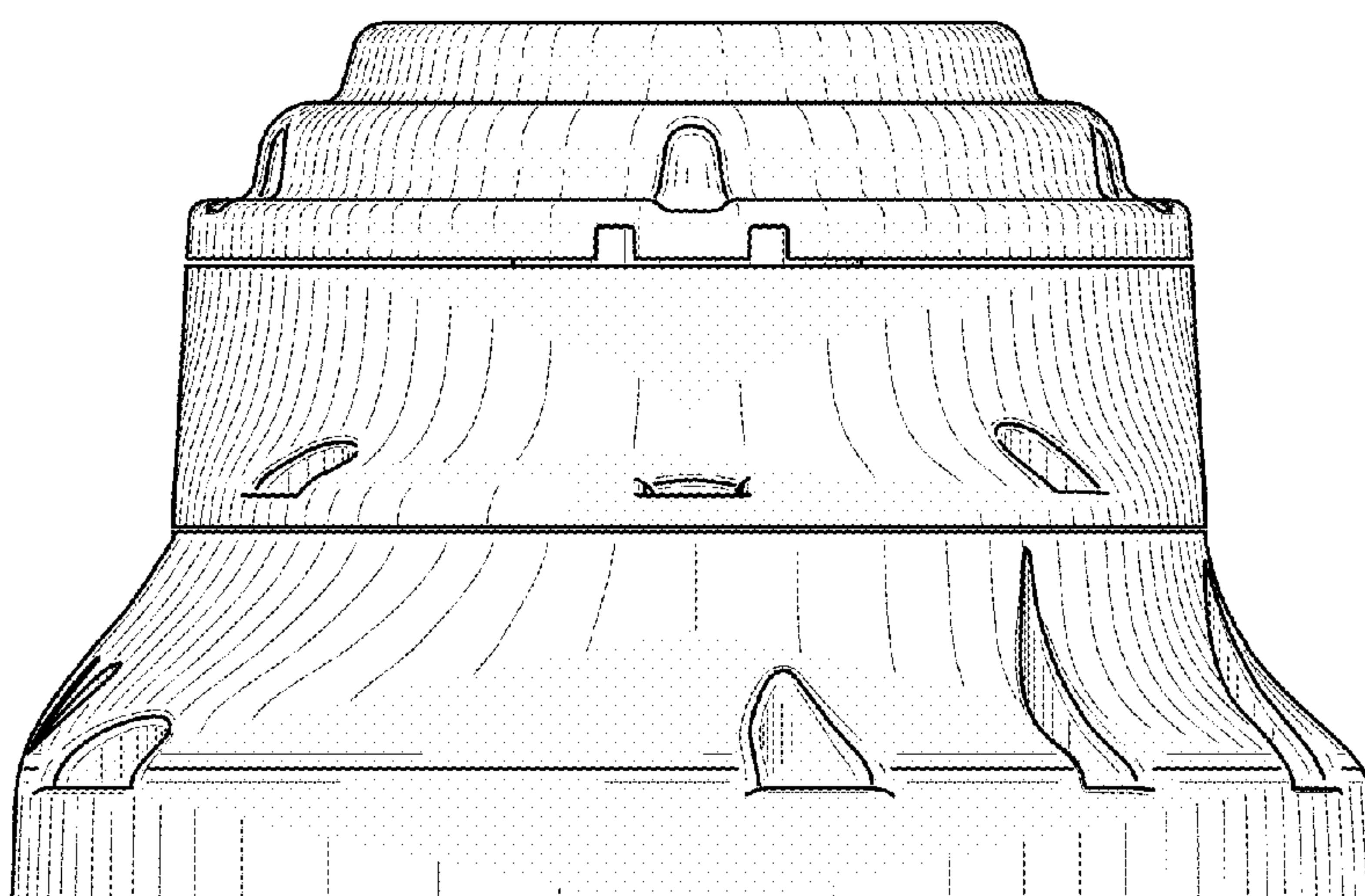


FIG. 8