



US00D760297S

(12) **United States Design Patent**
Hsu et al.

(10) **Patent No.:** **US D760,297 S**
(45) **Date of Patent:** **** Jun. 28, 2016**

(54) **UPPER HOUSING ASSEMBLY FOR SUPERCHARGER**

(71) Applicants: **David Hsu**, Norco, CA (US); **Clinton Yee**, Corona, CA (US)

(72) Inventors: **David Hsu**, Norco, CA (US); **Clinton Yee**, Corona, CA (US)

(73) Assignee: **Group-A Autosports, Inc.**, Norco, CA (US)

(**) Term: **14 Years**

(21) Appl. No.: **29/496,985**

(22) Filed: **Jul. 18, 2014**

(51) **LOC (10) Cl.** **15-01**

(52) **U.S. Cl.**
USPC **D15/5**

(58) **Field of Classification Search**
USPC D15/1-6; 123/559.1, 563, 201.1, 206.1;
D13/184
CPC F02B 33/00; F02B 33/40; F02B 39/14;
F04D 25/04; F04D 29/063
See application file for complete search history.

(56) **References Cited**

U.S. PATENT DOCUMENTS

5,224,459	A *	7/1993	Middlebrook	F02B 33/40 123/195 A
5,460,145	A *	10/1995	Perry, Jr.	F02B 39/04 123/559.1
7,549,493	B1 *	6/2009	Jones	F02B 33/00 123/559.1
8,439,020	B1 *	5/2013	Carlson	F02B 33/40 123/559.1

D732,081	S *	6/2015	Northrop	D15/4
2002/0011222	A1 *	1/2002	Bilek	F01B 1/12 123/52.1
2010/0000498	A1 *	1/2010	Middlebrook	F02B 33/40 123/559.1
2011/0114044	A1 *	5/2011	Dees	F02F 1/40 123/41.82 R
2011/0150671	A1 *	6/2011	Ouwenga	F01C 11/008 417/293
2011/0303198	A1 *	12/2011	Thomson	F02B 33/38 123/564
2014/0017101	A1 *	1/2014	Staley	F02B 33/38 417/319

* cited by examiner

Primary Examiner — T. Chase Nelson

Assistant Examiner — Ania Aman

(74) *Attorney, Agent, or Firm* — Steven N. Fox, Esq.

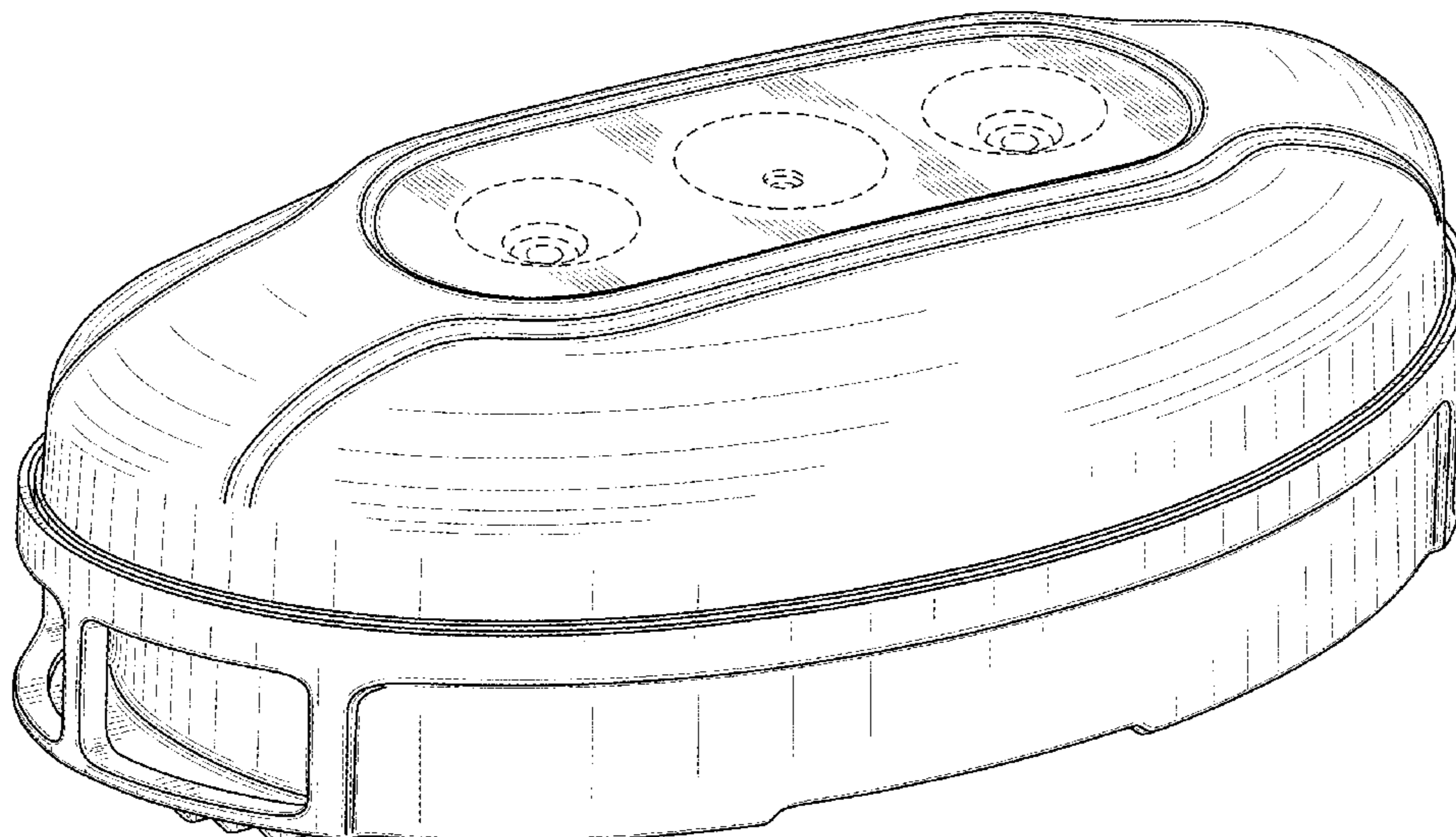
(57) **CLAIM**

The ornamental design for an upper housing assembly for supercharger, as shown and described.

DESCRIPTION

FIG. 1 is a top perspective view of an upper housing assembly for supercharger according to the present invention; FIG. 2 is a bottom perspective view of the upper housing assembly for supercharger according to the present invention; FIG. 3 is a top view thereof; FIG. 4 is a front view thereof; FIG. 5 is a bottom view thereof; FIG. 6 is a rear view thereof; FIG. 7 is a right side view thereof; and, FIG. 8 is a left side view thereof. The broken lines shown in the drawings illustrate environmental features and form no part of the claimed design.

1 Claim, 7 Drawing Sheets



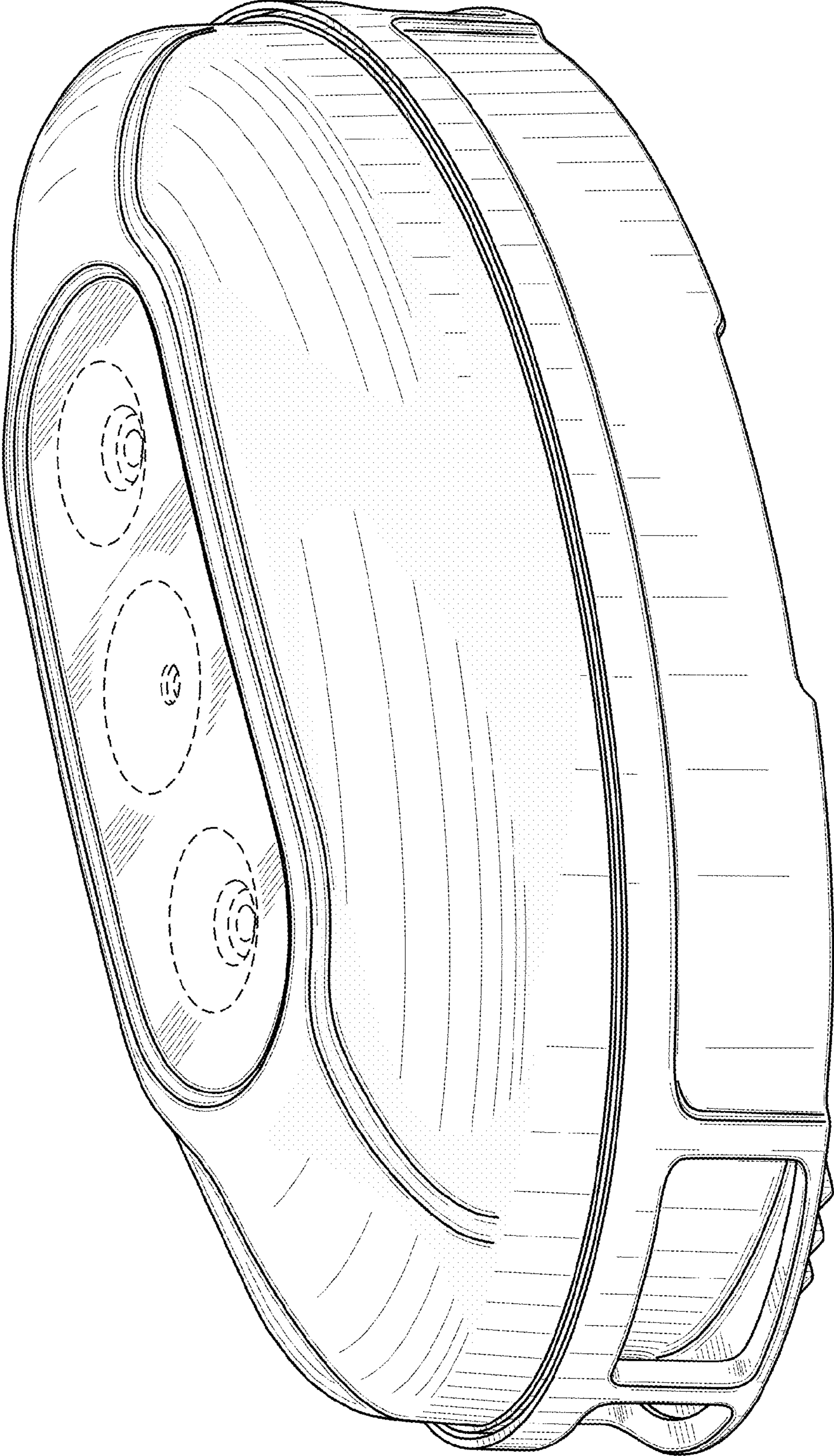


FIG. 1

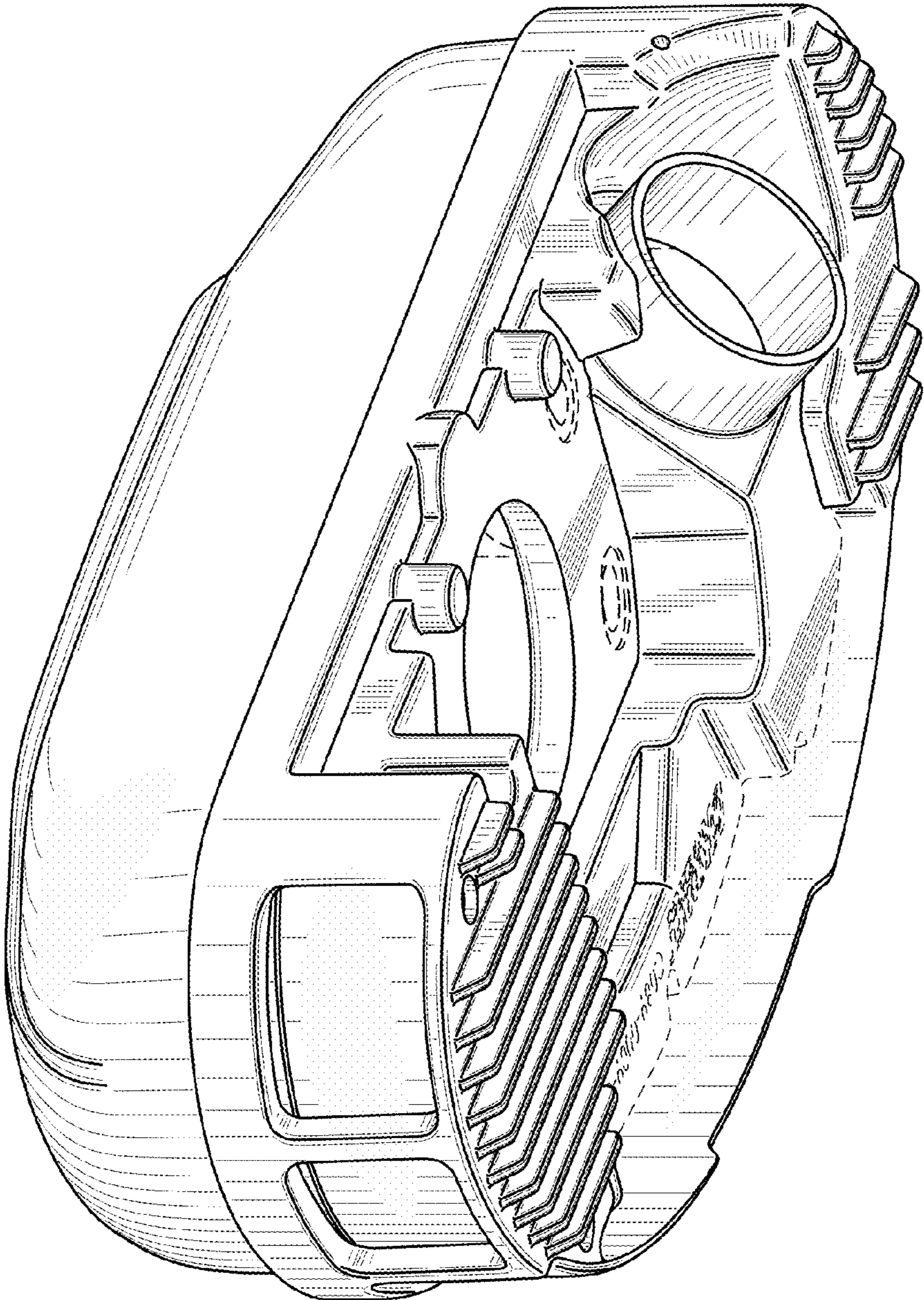


FIG. 2

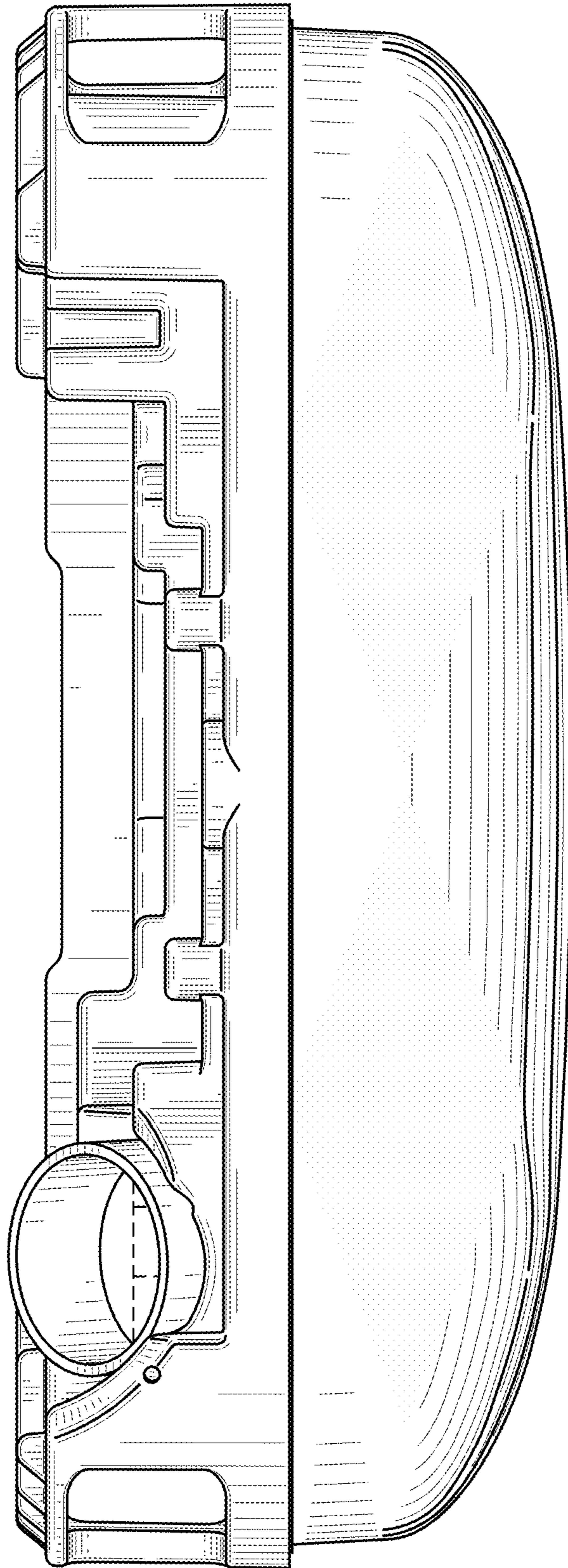


FIG. 3

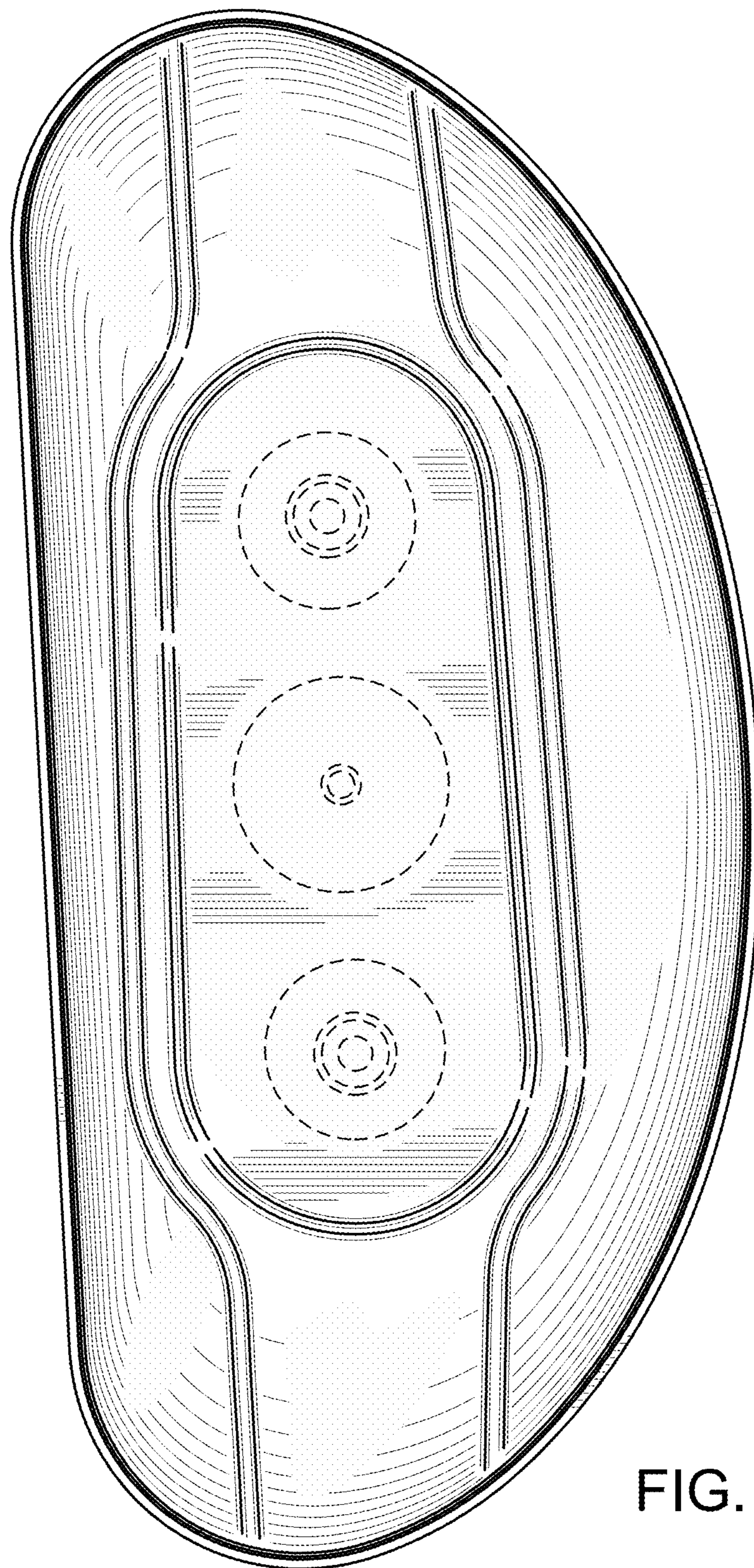


FIG. 4

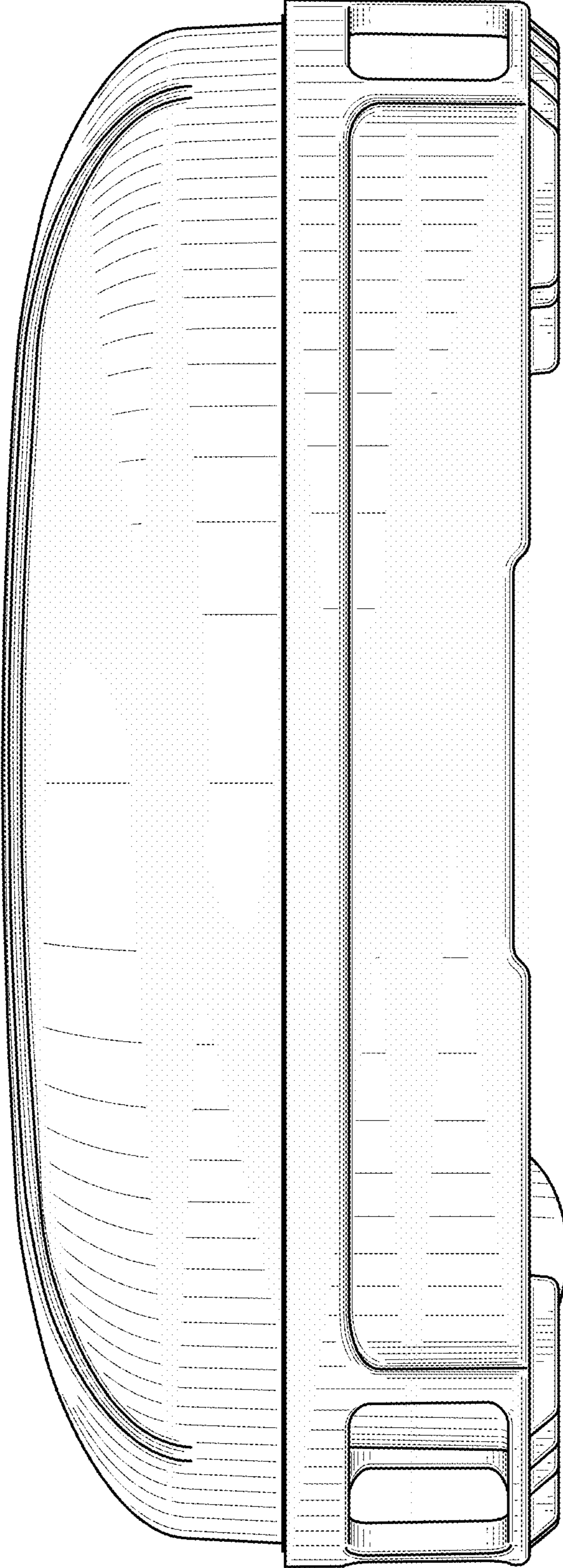


FIG. 5

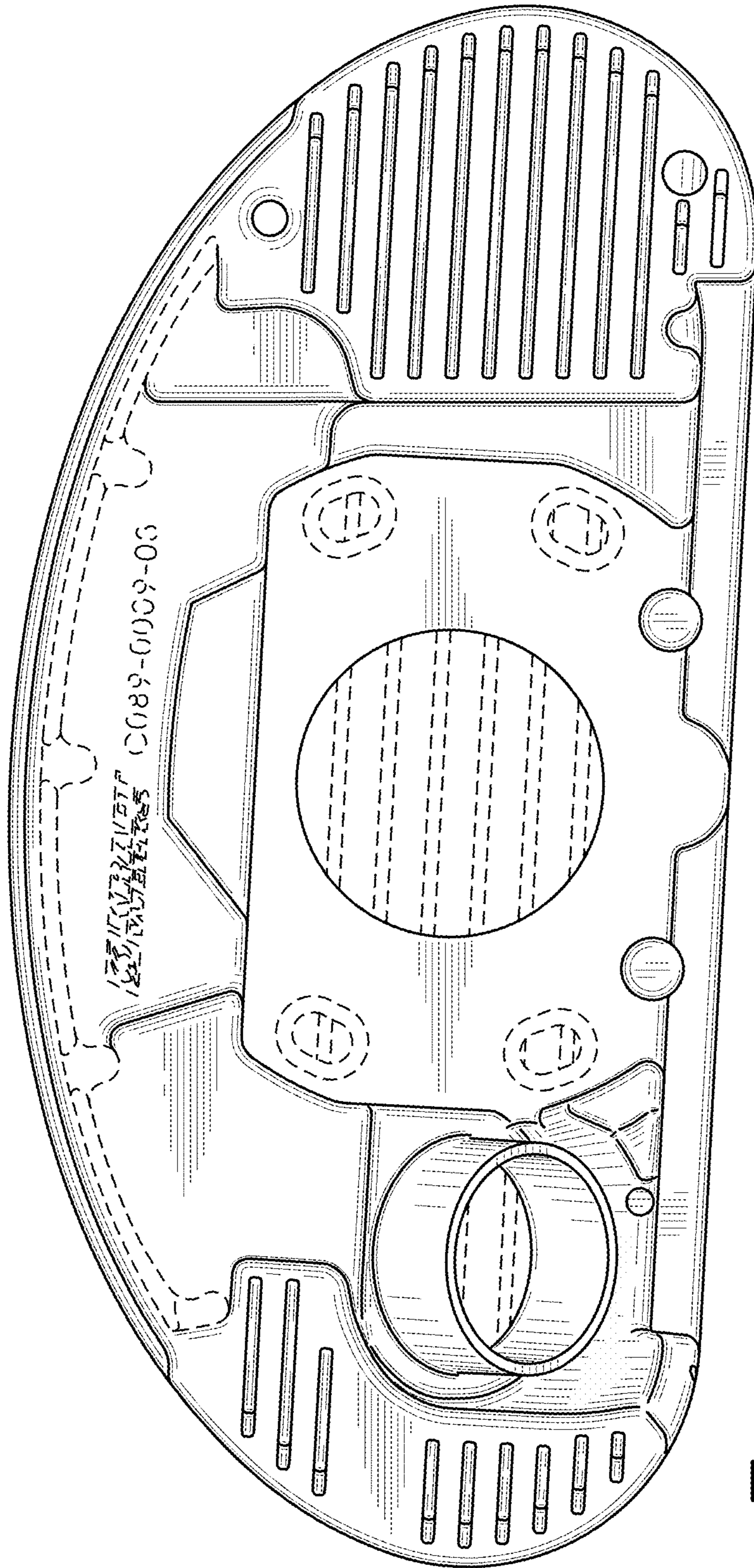


FIG. 6

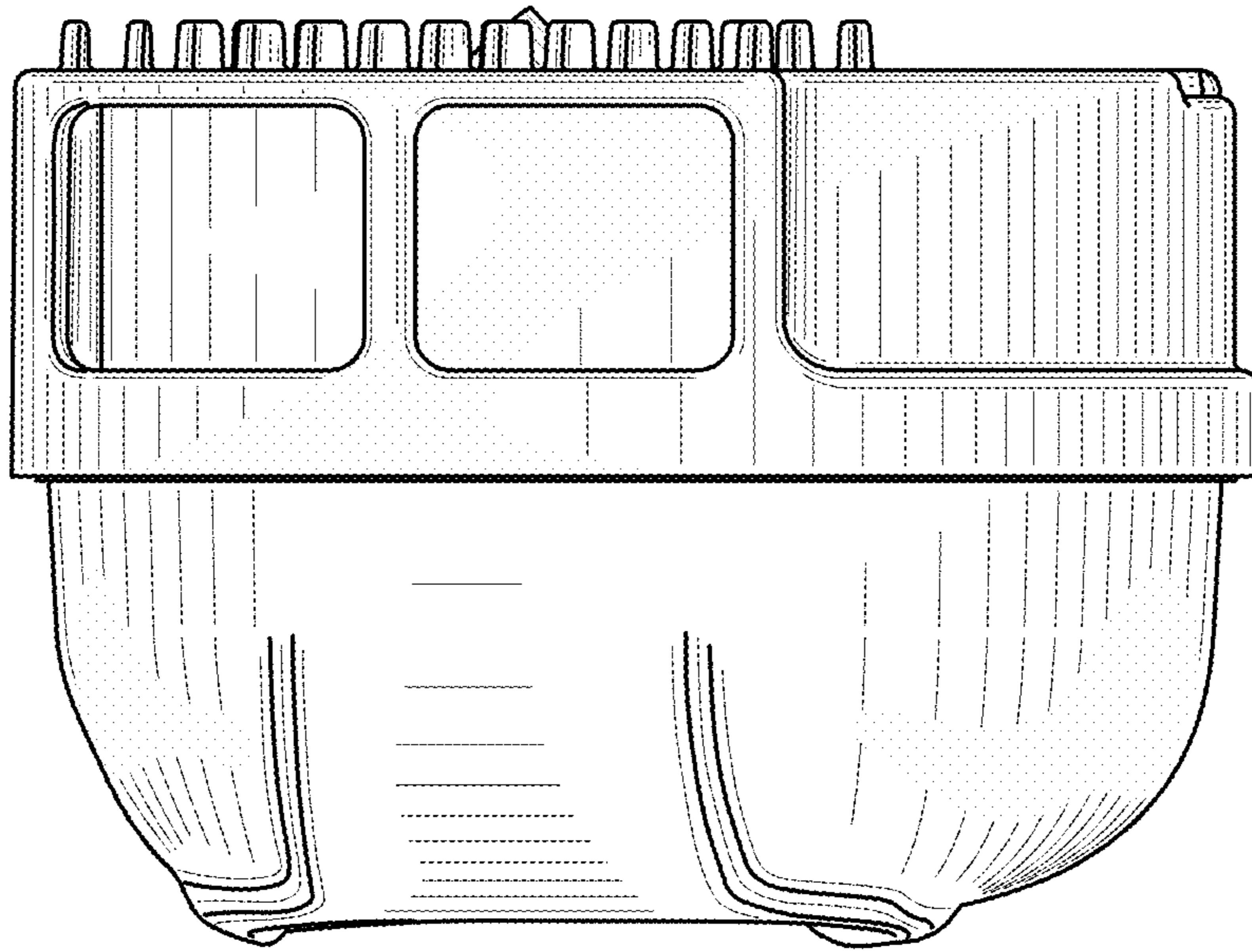


FIG. 7

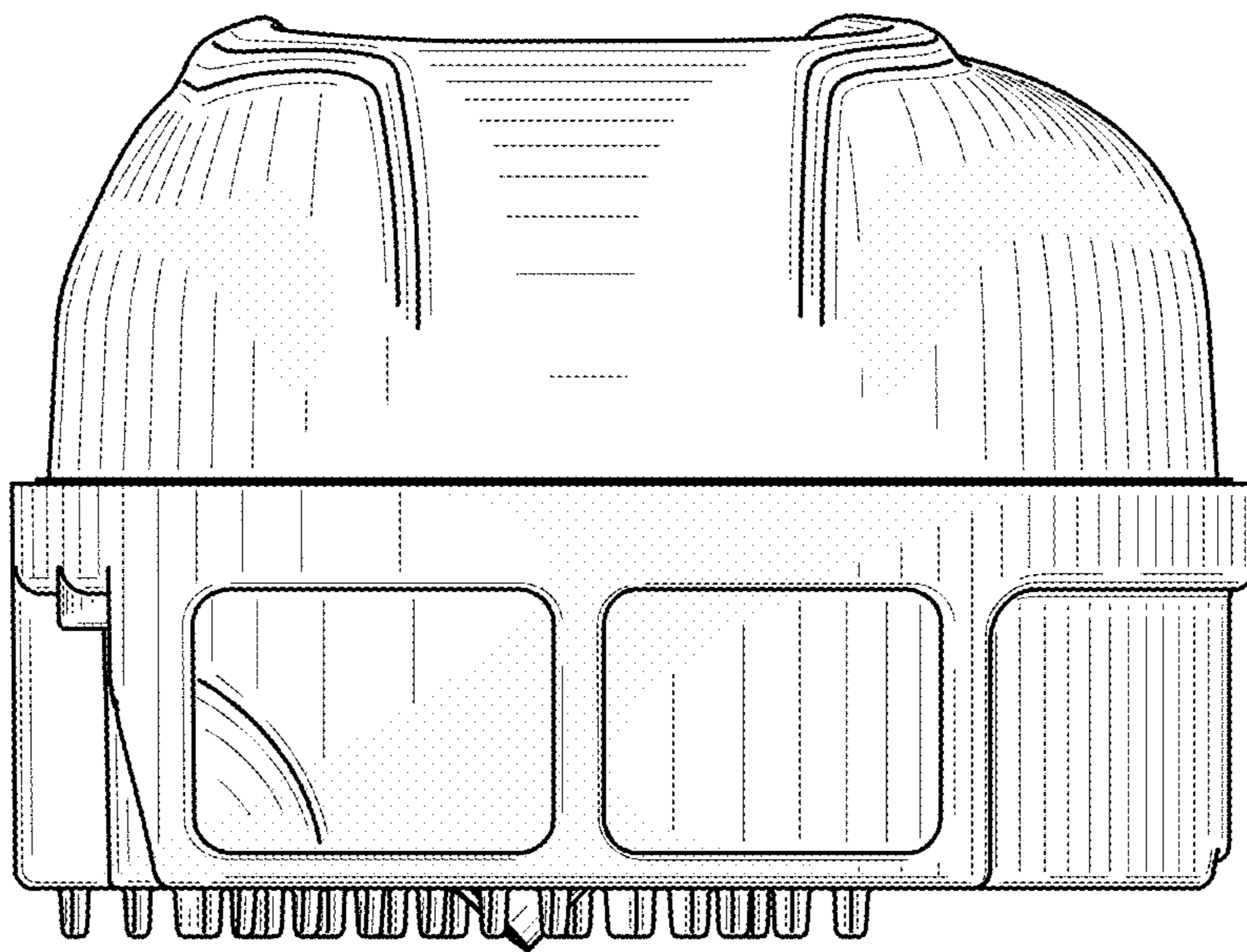


FIG. 8