



US00D760293S

(12) **United States Design Patent**
Zhou et al.

(10) **Patent No.:** **US D760,293 S**
(45) **Date of Patent:** **** Jun. 28, 2016**

(54) **DISPLAY SCREEN WITH GRAPHICAL USER INTERFACE**

(71) Applicant: **Tencent Technology (Shenzhen) Company Limited**, Shenzhen, Guangdong (CN)

(72) Inventors: **You Zhou**, Shenzhen (CN); **Yi Xie**, Shenzhen (CN); **Shi Shu**, Shenzhen (CN); **Baisong Wei**, Shenzhen (CN)

(73) Assignee: **Tencent Technology (Shenzhen) Company Limited** (CN)

(**) Term: **14 Years**

(21) Appl. No.: **29/476,677**

(22) Filed: **Dec. 16, 2013**

(51) **LOC (10) Cl.** **14-04**

(52) **U.S. Cl.**
USPC **D14/493**

(58) **Field of Classification Search**
USPC D14/485–495
CPC . G06F 3/048; G06F 3/04842; G06F 3/04847;
G06F 3/0481; G06F 17/211; G06F 17/212
See application file for complete search history.

(56) **References Cited**

U.S. PATENT DOCUMENTS

- 5,884,217 A * 3/1999 Koyanagi G01C 21/3635
340/988
- D428,397 S * 7/2000 Palalau D14/486
- 6,202,026 B1 * 3/2001 Nimura G01C 21/367
340/995.11
- D450,059 S * 11/2001 Itou D14/489
- 6,388,684 B1 * 5/2002 Iwamura G09B 29/106
715/788
- 6,477,526 B2 * 11/2002 Hayashi G01C 21/3676
701/532
- 6,732,049 B2 * 5/2004 Sato G01C 21/3415
701/23

- 6,859,723 B2 * 2/2005 Yokota G01C 21/3611
340/995.16
- 6,904,338 B2 * 6/2005 Weimper G01C 21/3614
340/988
- 7,158,878 B2 * 1/2007 Rasmussen G01C 21/32
340/995.14
- D600,704 S * 9/2009 LaManna D14/492
- D601,169 S * 9/2009 LaManna D14/492
- D682,872 S * 5/2013 Frijlink D14/487
- D687,448 S * 8/2013 Arnold D14/485
- D690,312 S * 9/2013 Cherian D14/486
- D695,767 S * 12/2013 Tagliabue D14/486
- D704,719 S * 5/2014 Kim D14/485
- D705,237 S * 5/2014 Kim D14/485
- D705,241 S * 5/2014 Chen D14/485
- D721,722 S * 1/2015 Lee D14/486
- D729,259 S * 5/2015 Chen D14/485
- D729,263 S * 5/2015 Ahn D14/486
- D733,166 S * 6/2015 Lee D14/486
- D734,767 S * 7/2015 Kadosh D14/485
- 2006/0074553 A1 * 4/2006 Foo G01C 21/367
701/431
- 2008/0316183 A1 * 12/2008 Westerman G06F 3/0416
345/173
- 2009/0058823 A1 * 3/2009 Kocienda G06F 3/0236
345/173

(Continued)

Primary Examiner — Eric Goodman
Assistant Examiner — Daniel J Domino
(74) *Attorney, Agent, or Firm* — Design IP

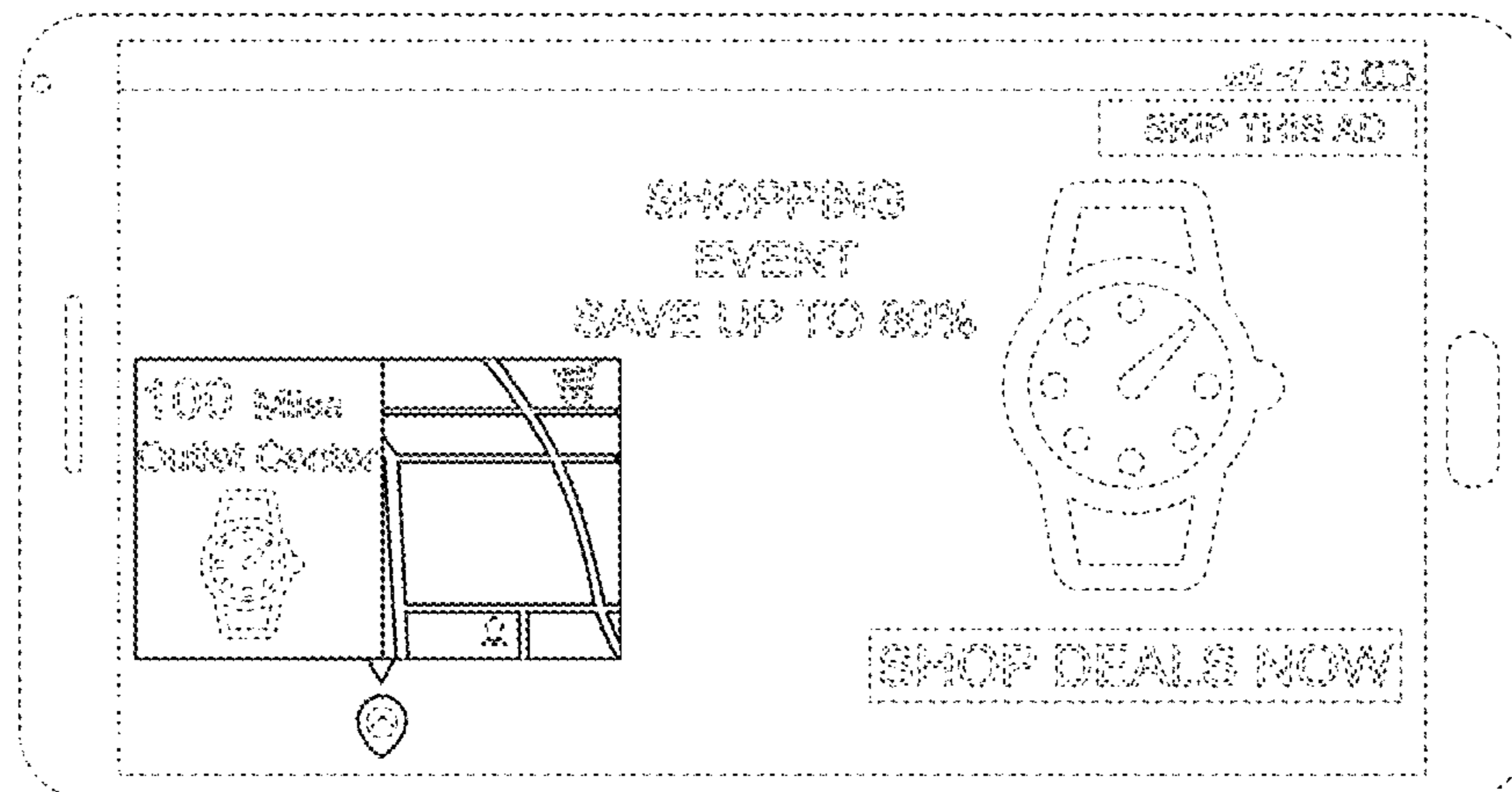
(57) **CLAIM**

The ornamental design for a display screen with graphical user interface, as shown and described.

DESCRIPTION

The sole FIGURE is a front view of a display screen with graphical user interface showing our new design. The broken lines showing a display screen, text, and portions of the graphical user interface illustrate portions of the article, and form no part of the claimed design. The device shown in broken lines illustrates environmental subject matter, and forms no part of the broken lines.

1 Claim, 1 Drawing Sheet



(56)

References Cited

U.S. PATENT DOCUMENTS

2009/0171582 A1* 7/2009 Stockinger G01C 21/3632
701/431
2011/0153209 A1* 6/2011 Geelen G08G 1/005
701/533
2011/0193722 A1* 8/2011 Johnson G08G 1/081
340/906
2013/0174082 A1* 7/2013 Khandker G06F 3/04883
715/780

2014/0055381 A1* 2/2014 Kim G06F 3/0236
345/173
2014/0068478 A1* 3/2014 Won G06F 3/0488
715/765
2014/0075375 A1* 3/2014 Hwang G06F 3/0482
715/784
2014/0143684 A1* 5/2014 Oh H04L 51/04
715/752
2015/0222584 A1* 8/2015 Holliday H04L 51/20
715/752

* cited by examiner

