

US00D760290S

(12) **United States Design Patent**
Huang et al.

(10) **Patent No.:** **US D760,290 S**
(45) **Date of Patent:** **** Jun. 28, 2016**

(54) **PORTION OF A DISPLAY SCREEN WITH TRANSITIONAL ICON**

(71) Applicant: **ASUSTeK COMPUTER INC.**, Taipei (TW)

(72) Inventors: **Min-Che Huang**, Taipei (TW); **Chi-Nien Chen**, Taipei (TW); **Hsiao-Kai Li**, Taipei (TW); **Fang-Chun Hsieh**, Taipei (TW); **Kuo-Chung Chiu**, Taipei (TW); **He Wen**, Taipei (TW)

(73) Assignee: **ASUSTeK COMPUTER INC.**, Taipei (TW)

(**) Term: **14 Years**

(21) Appl. No.: **29/513,384**

(22) Filed: **Dec. 30, 2014**

(51) **LOC (10) Cl.** **14-04**

(52) **U.S. Cl.**
USPC **D14/492**

(58) **Field of Classification Search**
USPC D14/485-495; D20/11, 15, 22-28, 31, D20/32
CPC B60H 1/00; G06F 3/017; G06F 3/04817; G06F 3/0488; G06F 2203/04808; H04L 12/282; H04M 1/72547
See application file for complete search history.

(56) **References Cited**

U.S. PATENT DOCUMENTS

D621,415 S *	8/2010	Umezawa	D14/492
D687,062 S *	7/2013	Gardner	D14/489
D703,228 S *	4/2014	Abratowski	D14/489
D719,186 S *	12/2014	Kim	D14/488
D729,180 S *	5/2015	Byrne	D13/174
D745,046 S *	12/2015	Shin	D14/489

(Continued)

OTHER PUBLICATIONS

YouTube | Introducing QuartzCode v1.3 with Multiple Animations and Shared Color, published on May 14, 2015 by bijmind, © 2016 YouTube, LLC, [online], [site visited Mar. 3, 2016]. Available from Internet, [frames 0:53-1:45- <URL: https://www.youtube.com/watch?v=iDRemRM3wx8&ebc=ANyPxKoCfkOXc4Nxqdw0lZhW8_kkJebyekFW9adZCjrzxJUIxGimVLhBWX-KOd49qSieFsCSFanA>.*

(Continued)

Primary Examiner — Cathron Brooks
Assistant Examiner — Cary M Robinson

(74) *Attorney, Agent, or Firm* — Muncy, Geissler, Olds & Lowe, P.C.

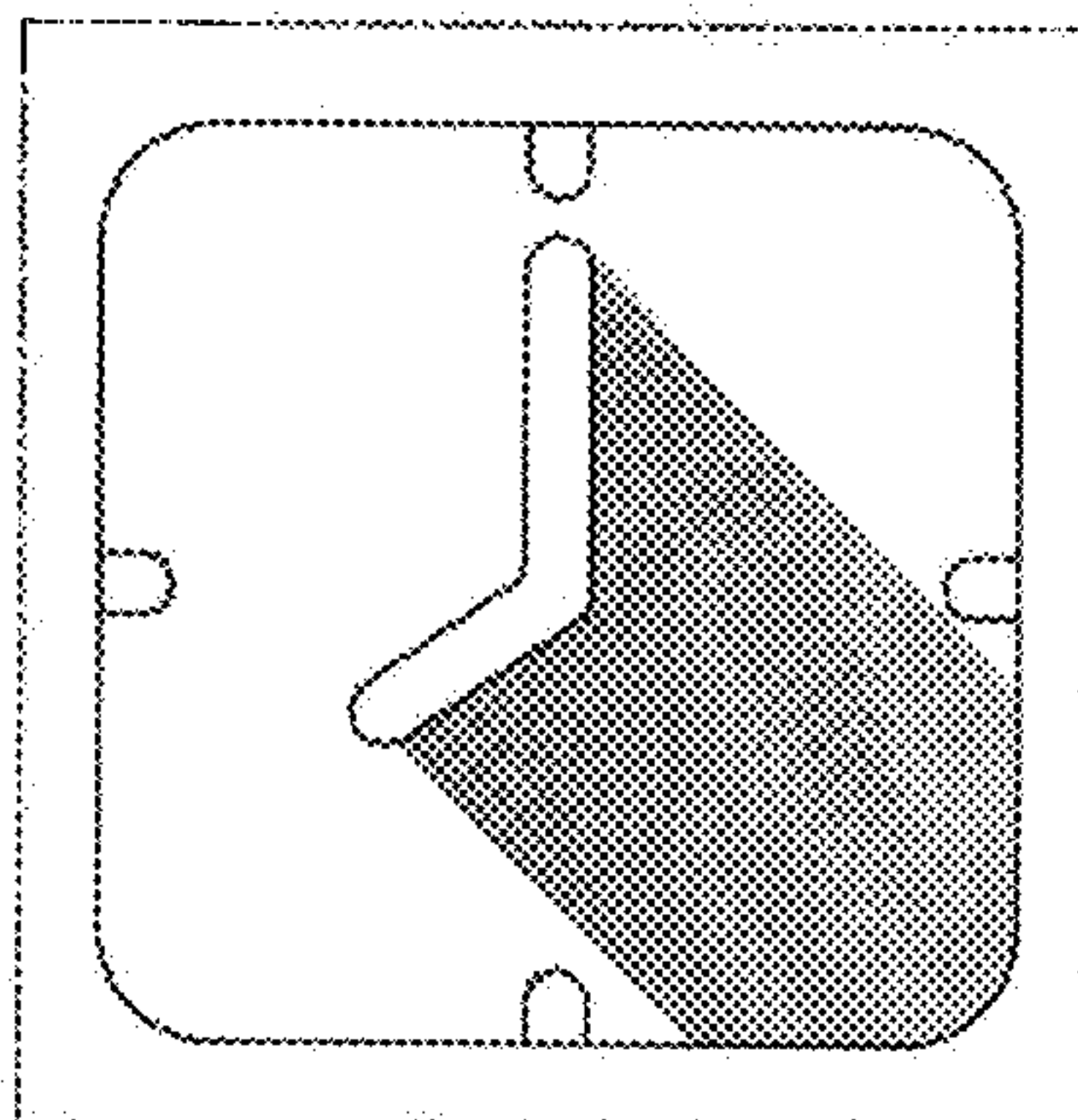
(57) **CLAIM**

The ornamental design for a portion of a display screen with transitional icon, as shown and described.

DESCRIPTION

FIG. 1 is a front view of the first image in the sequence for a portion of a display screen with transitional icon showing the new design;
FIG. 2 is a front view of the second image thereof;
FIG. 3 is a front view of the third image thereof;
FIG. 4 is a front view of the fourth image thereof;
FIG. 5 is a front view of the fifth image thereof;
FIG. 6 is a front view of the sixth image thereof; and,
FIG. 7 is a front view of the seventh image thereof.
The appearance of the transitional image sequentially transitions between the images shown in FIGS. 1-7. The process or period in which one image transitions to another forms no part of the claimed design.
The one-dot chain line showing of portions of a display screen is for the purpose of illustrating environmental structure and forms no part of the claimed design.

1 Claim, 3 Drawing Sheets



(56)

References Cited

2016/0041719 A1* 2/2016 Wang G06F 3/0486
715/769

U.S. PATENT DOCUMENTS

D745,563 S * 12/2015 Lee D14/492
D747,727 S * 1/2016 Lee D14/485
D747,740 S * 1/2016 Lee D14/492
D748,141 S * 1/2016 Park D14/492
D748,144 S * 1/2016 Kwon D14/492
2006/0112335 A1* 5/2006 Hofmeister G06F 3/0488
715/701
2015/0098309 A1* 4/2015 Adams G04G 9/0064
368/10

OTHER PUBLICATIONS

Shutterstock | Clock Icon—Vector Web Illustration, Easy Paste to any Background, posted on May 12, 2014, © 2003-2016 Shutterstock, Inc. [online], [site visited Mar. 7, 2016]. Available from Internet, <URL: <http://www.shutterstock.com> (See attached NPL Document for full URL address)>.*

* cited by examiner

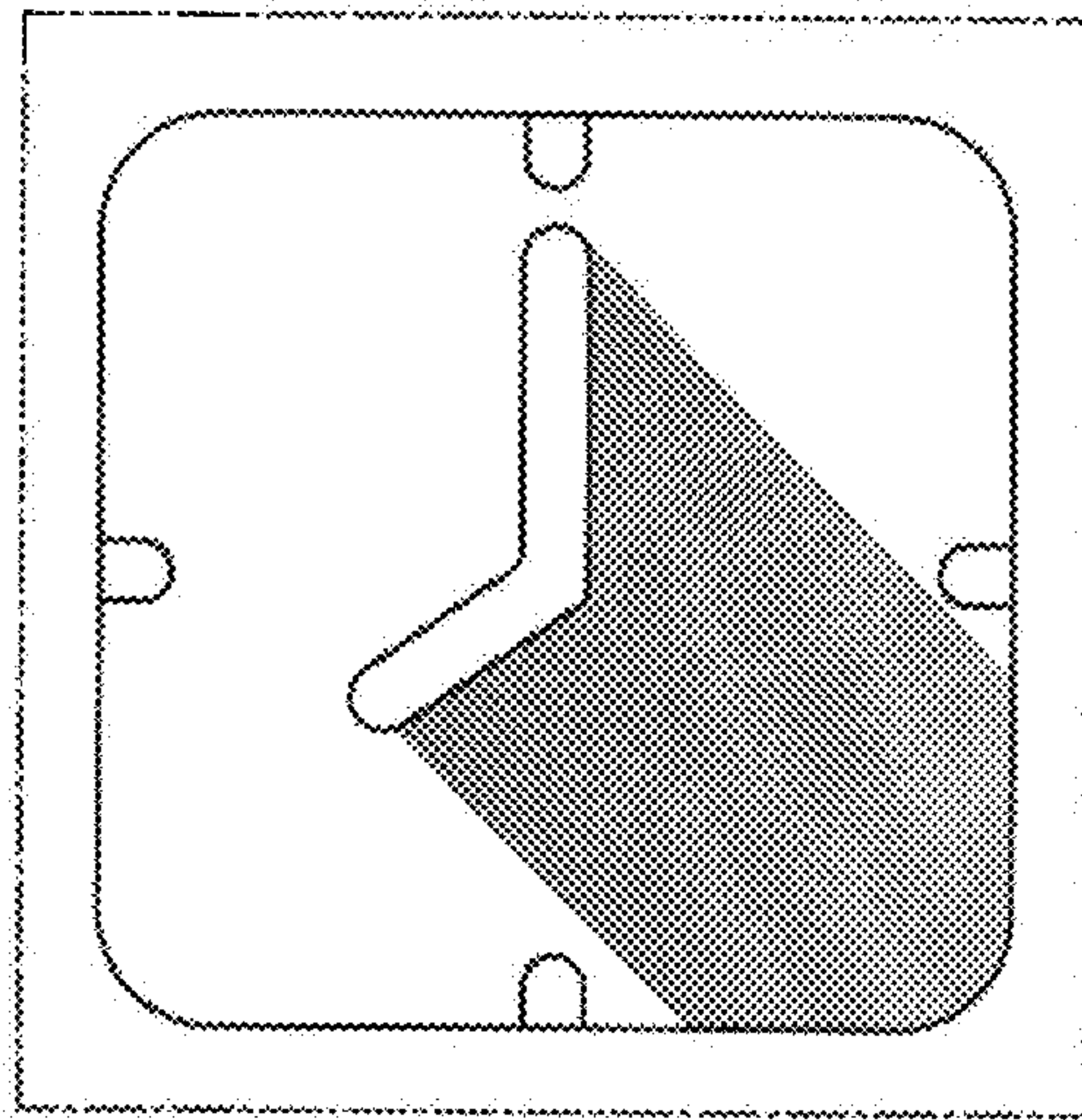


FIG. 1

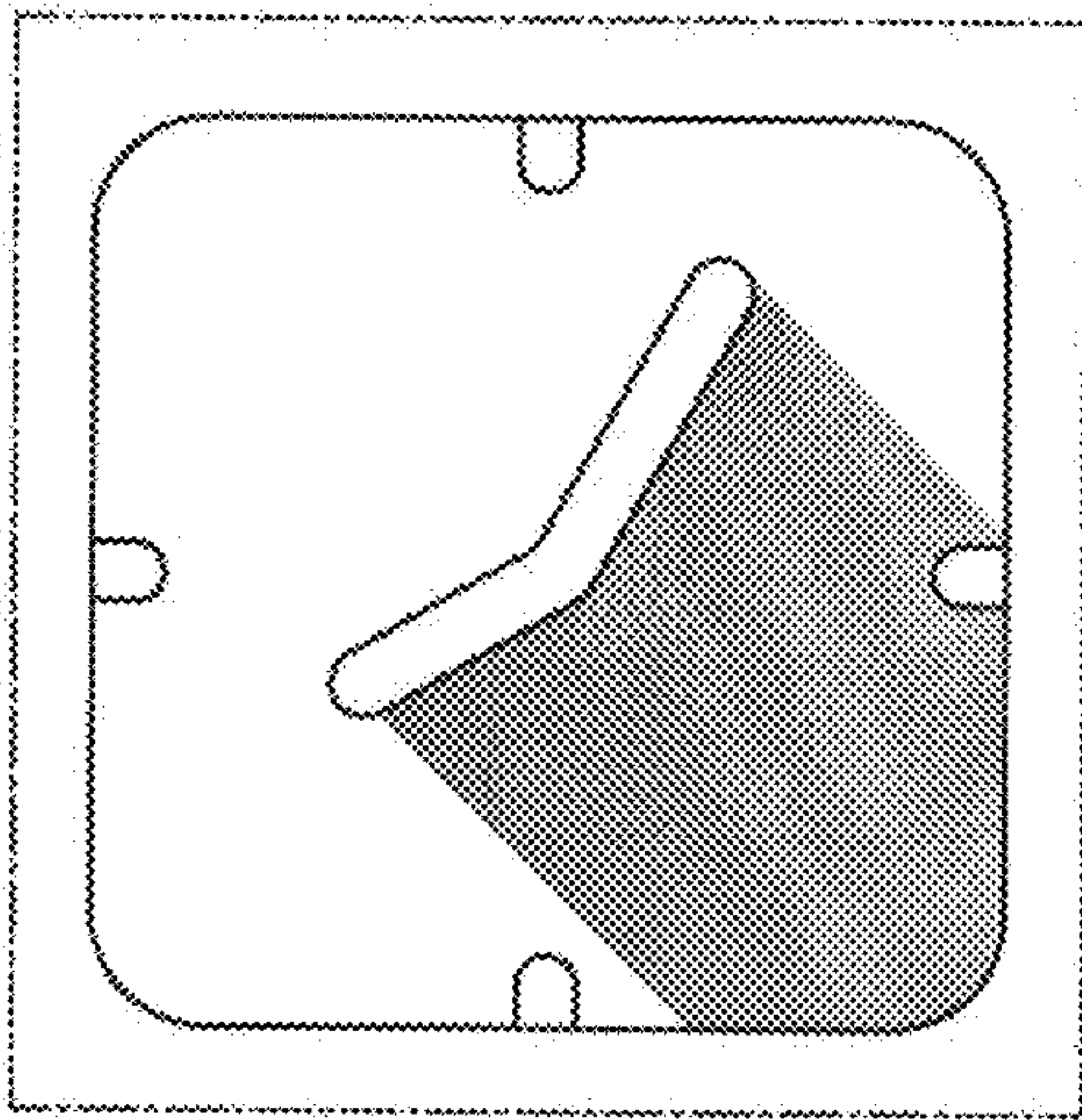


FIG. 2

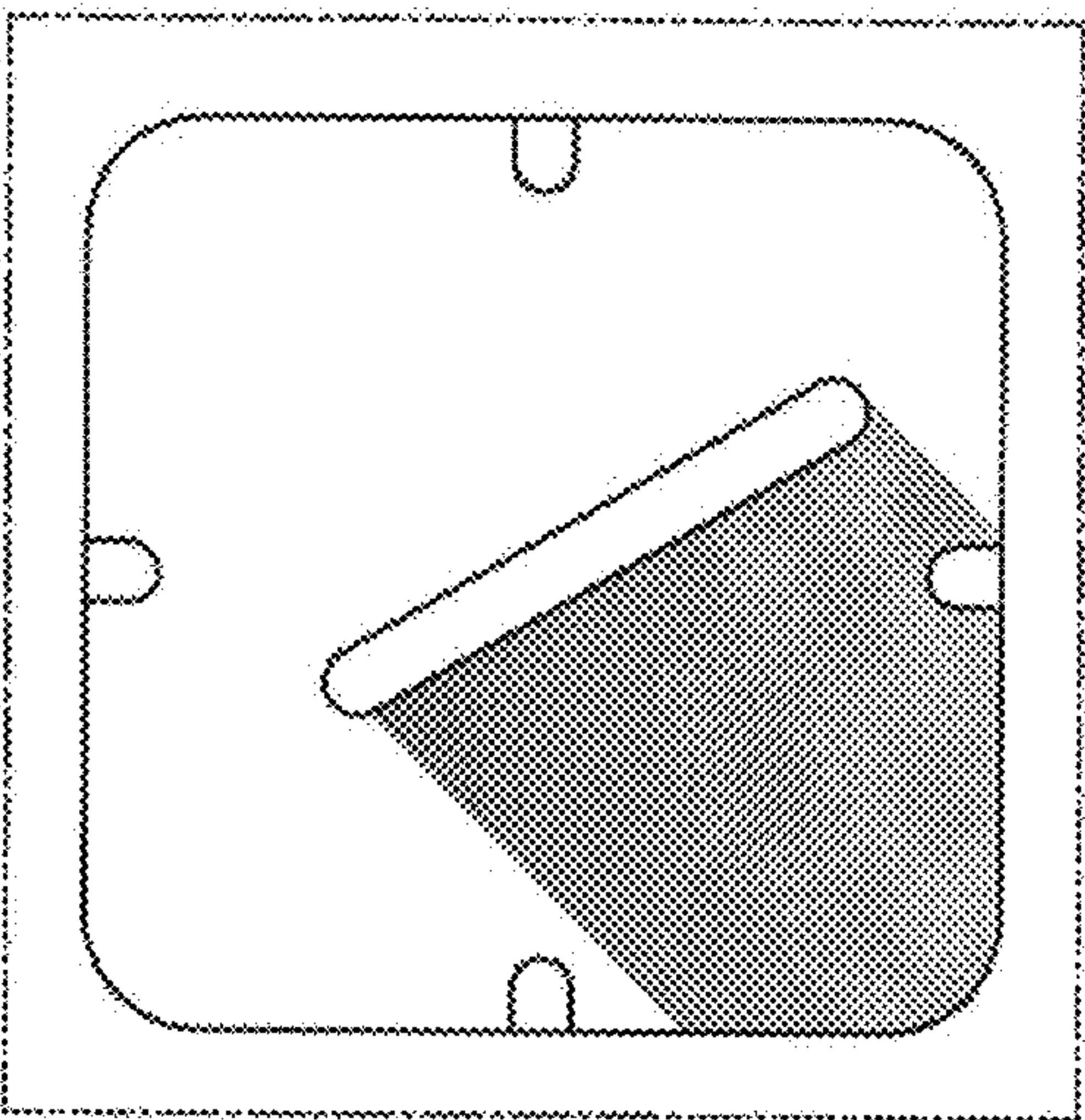


FIG. 3

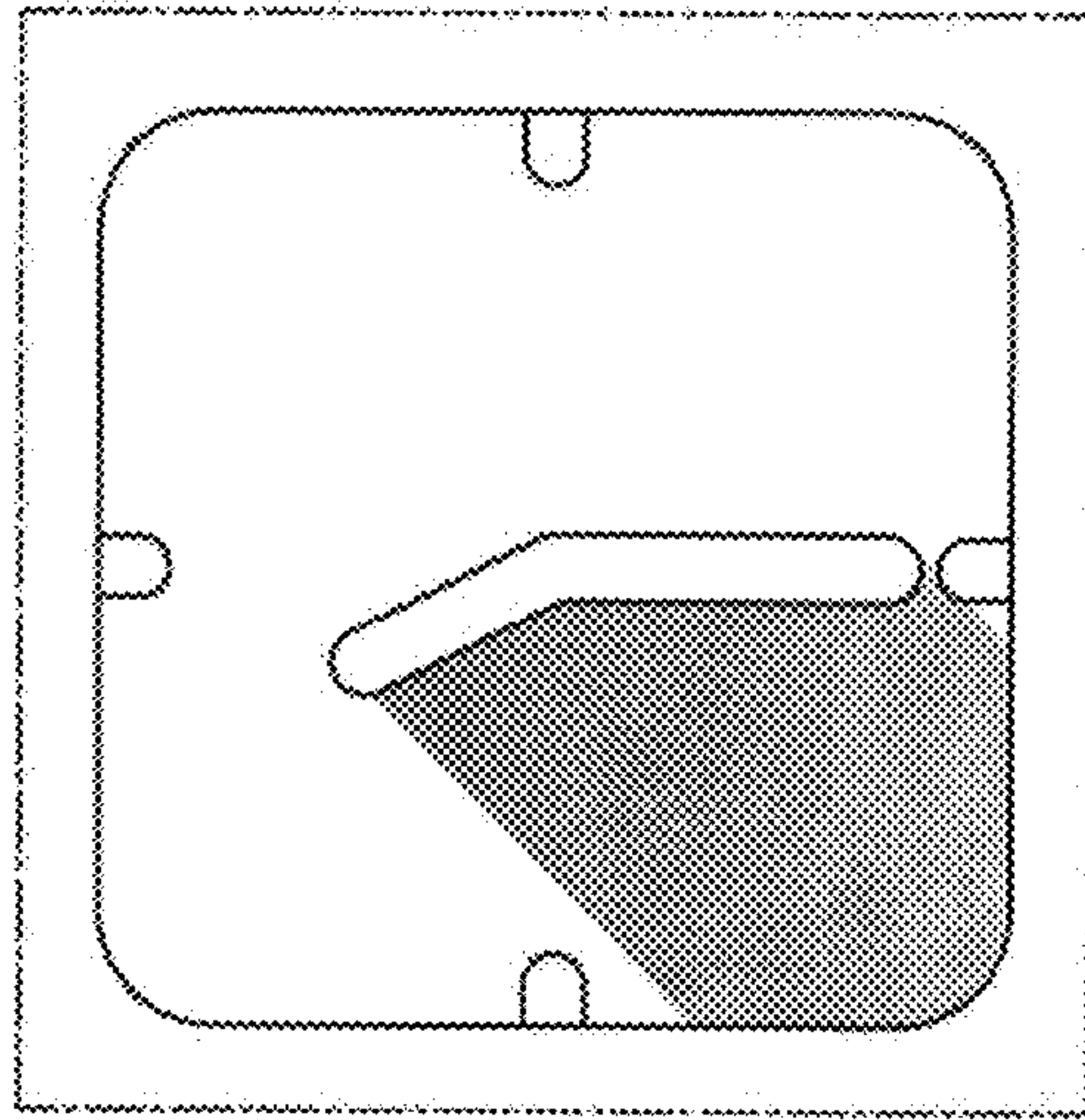


FIG. 4

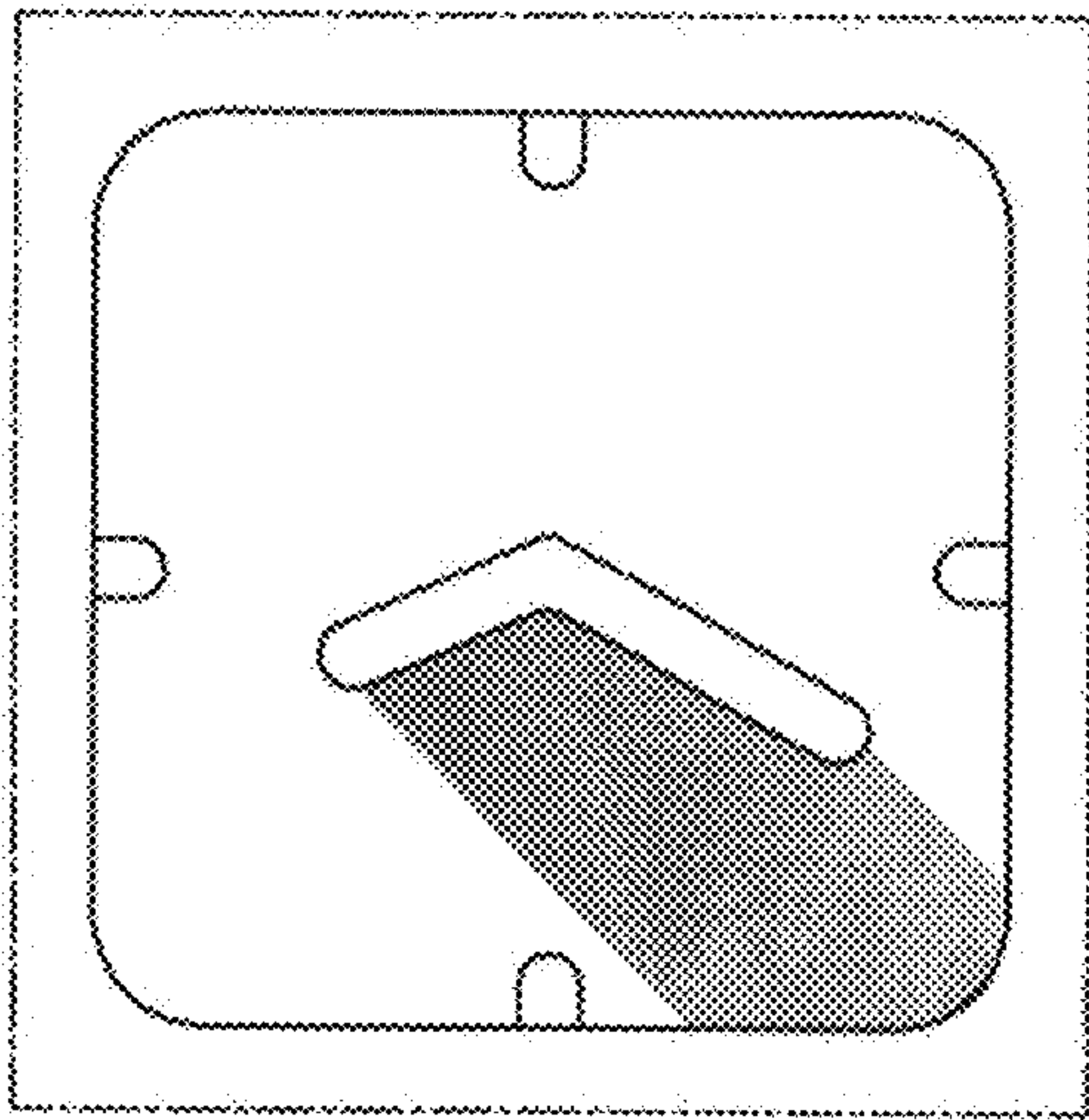


FIG. 5

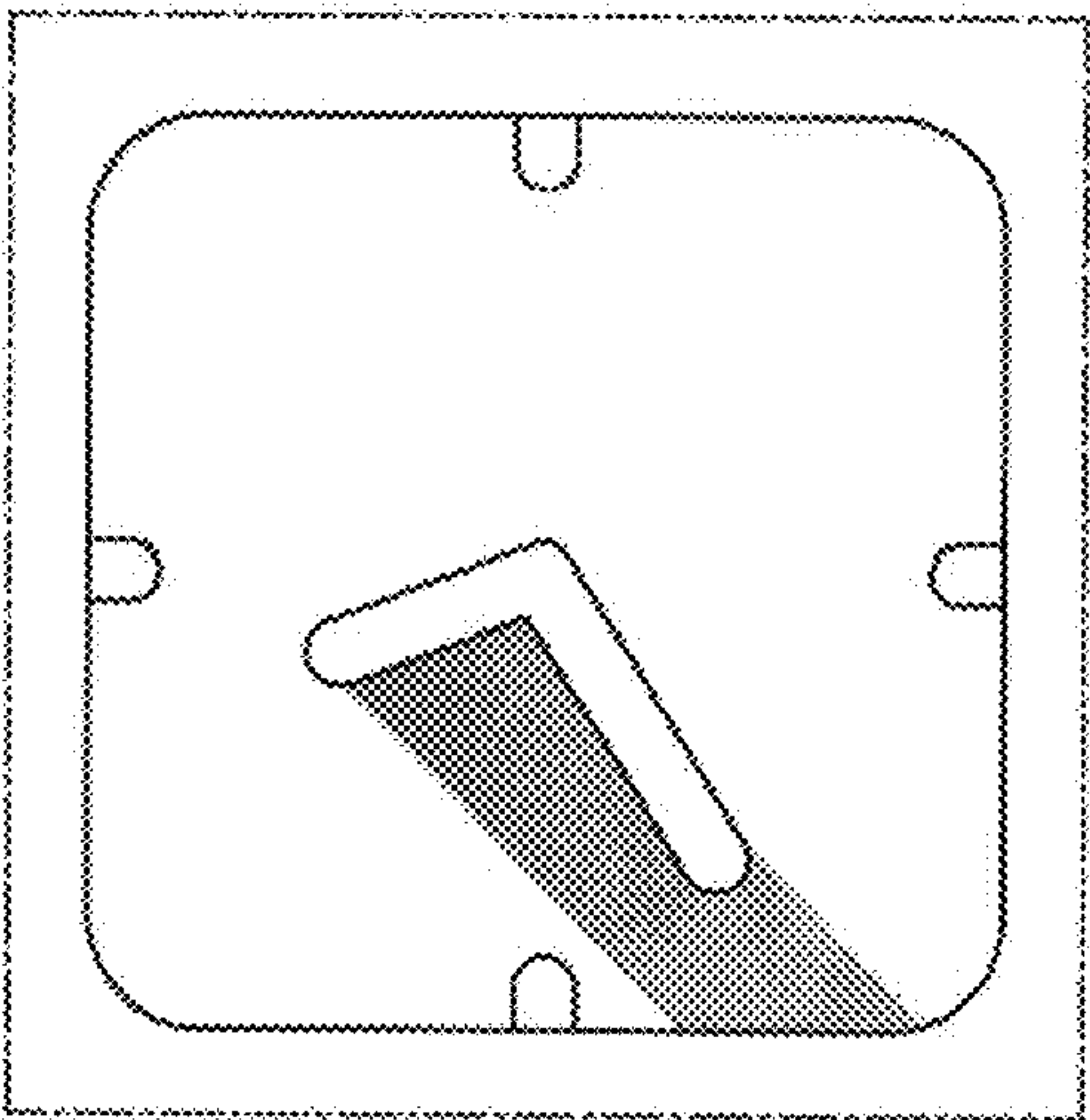


FIG. 6

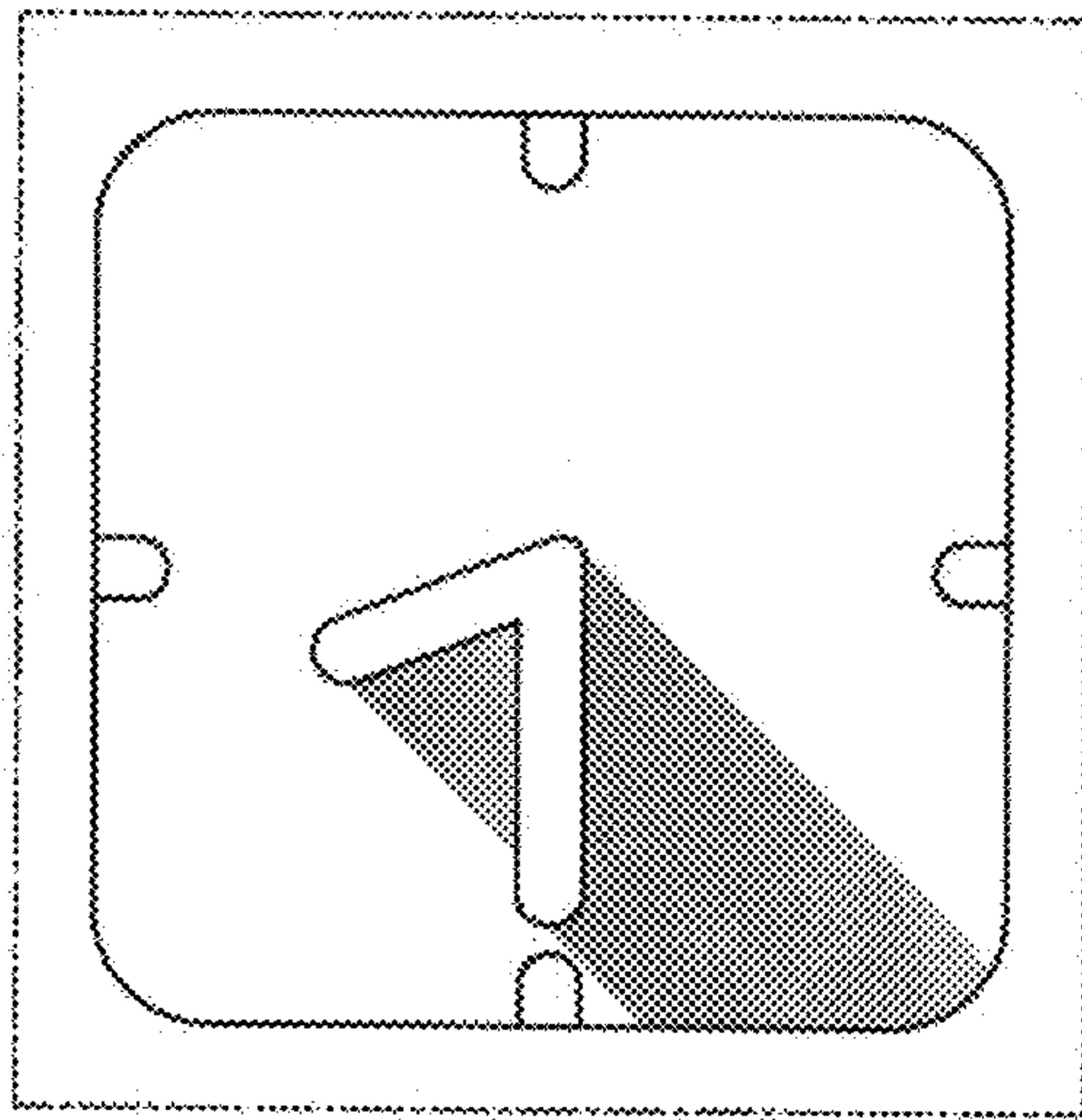


FIG. 7