

US00D760283S

(12) **United States Design Patent**
Horiuchi et al.

(10) **Patent No.:** **US D760,283 S**
(45) **Date of Patent:** **** Jun. 28, 2016**

- (54) **COMPUTING DEVICE DISPLAY SCREEN WITH GRAPHICAL USER INTERFACE**
- (71) Applicant: **UBER TECHNOLOGIES, INC.**, San Francisco, CA (US)
- (72) Inventors: **Carol Horiuchi**, Brisbane, CA (US); **Shalin Amin**, San Francisco, CA (US)
- (73) Assignee: **Uber Technologies, Inc.**, San Francisco, CA (US)
- (**) Term: **14 Years**
- (21) Appl. No.: **29/509,772**
- (22) Filed: **Nov. 20, 2014**
- (51) **LOC (10) Cl.** **14-04**
- (52) **U.S. Cl.**
USPC **D14/489**
- (58) **Field of Classification Search**
USPC D14/485–495
CPC ... G06F 3/048; G06F 3/0481; G06F 3/04812; G06F 3/04815; G06F 3/04817; G06F 3/0482; G06F 3/0483; G06F 3/0484; G06F 3/04842; G06F 3/04845; G06F 3/04847; G06F 3/0485; G06F 3/04855; G06F 3/0486; G06F 3/0487; G06F 3/0488; G06F 3/04883; G06F 3/04886
See application file for complete search history.

| | | | |
|----------------|---------|------------|------------------------------|
| D644,661 S | 9/2011 | Gardner | |
| 8,223,127 B2 * | 7/2012 | Park | G06F 3/0362 345/156 |
| D665,161 S | 8/2012 | Leifeld | |
| D665,162 S | 8/2012 | Leifeld | |
| D669,497 S * | 10/2012 | Lee | D14/489 |
| D669,499 S | 10/2012 | Gardner | |
| D687,057 S | 7/2013 | Plitkins | |
| D689,505 S | 9/2013 | Convay | |
| D690,729 S | 10/2013 | Abratowski | |
| D694,764 S * | 12/2013 | Talbot | D14/485 |
| D697,523 S * | 1/2014 | Oda | D14/486 |
| D699,741 S * | 2/2014 | Wantland | D14/487 |
| D699,745 S * | 2/2014 | Pearson | D14/488 |
| D712,911 S * | 9/2014 | Pearson | D14/486 |
| D713,412 S | 9/2014 | Gall | |
| D715,313 S | 10/2014 | Hontz, Jr. | |

(Continued)

OTHER PUBLICATIONS

Office Action dated Jul. 16, 2015 in corresponding Canadian Application No. 161671.

(Continued)

Primary Examiner — Melanie H Tung
Assistant Examiner — Bao-Yen Nguyen
(74) *Attorney, Agent, or Firm* — Mahamedi Paradise LLP

(57) **CLAIM**
The ornamental design for a computing device display screen with graphical user interface, as shown and described.

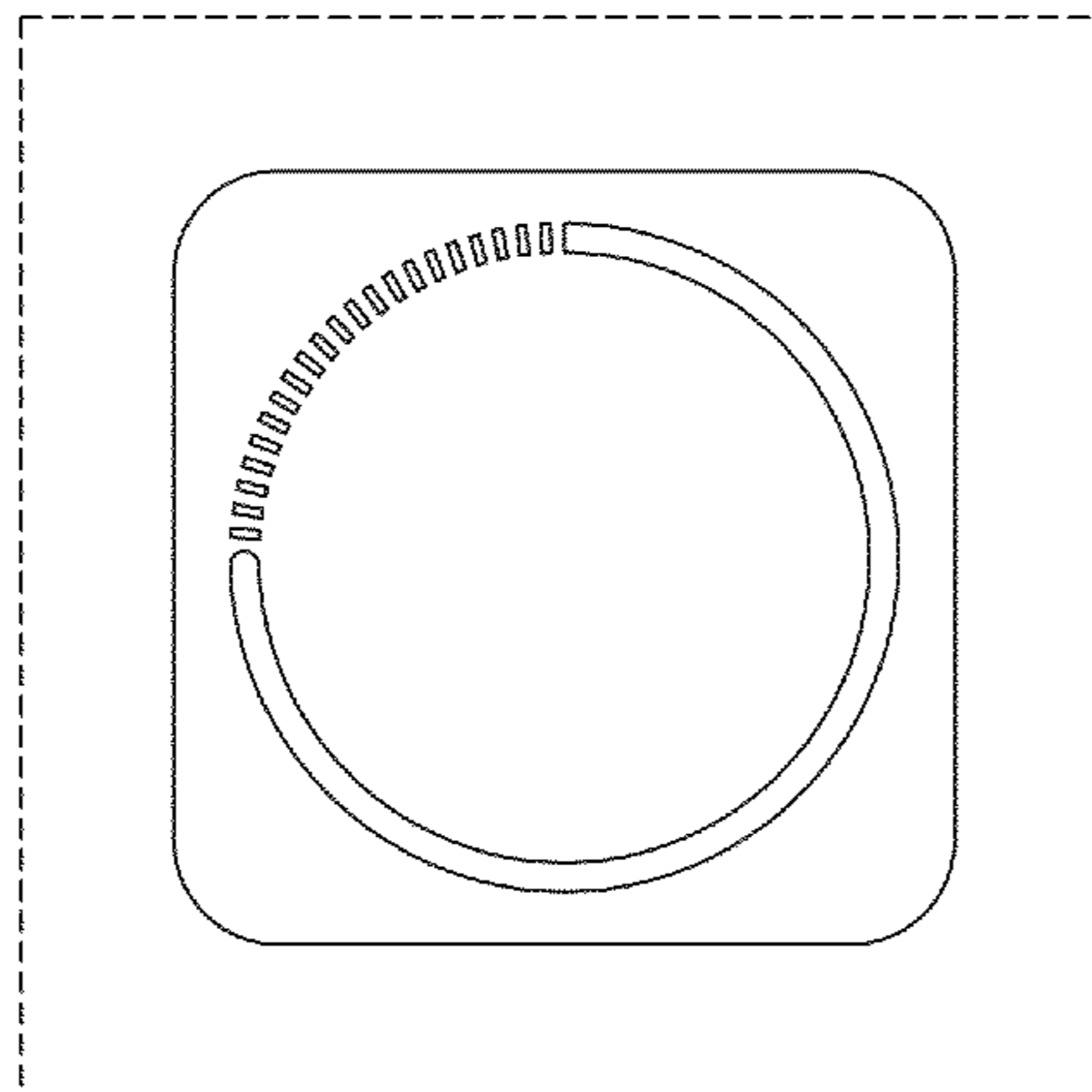
DESCRIPTION

FIG. 1 is an enlarged front view of a computing device display screen with graphical user interface, under a first embodiment; and, FIG. 2 is a front view of a computing device display screen with graphical user interface, under a second embodiment. The broken lines showing a portion of a computer device display screen in FIGS. 1 and 2 represent environmental subject matter that forms no part of the claimed design.

1 Claim, 2 Drawing Sheets

(56) **References Cited**
U.S. PATENT DOCUMENTS

| | | | |
|---------------|---------|--------------|------------------------------|
| 5,392,388 A | 2/1995 | Gibson | |
| 5,526,341 A * | 6/1996 | Shiba | G11B 7/22 369/275.1 |
| D467,937 S * | 12/2002 | Grundel | D14/488 |
| 7,119,764 B2 | 10/2006 | Tanaka | |
| D544,495 S * | 6/2007 | Evans | D14/488 |
| D555,164 S | 11/2007 | Sergio | |
| D565,668 S * | 4/2008 | Baseflug | D14/401 |
| D567,297 S * | 4/2008 | Del Castillo | D14/401 |
| D619,614 S * | 7/2010 | O'Mullan | D14/489 |



(56)

References Cited

U.S. PATENT DOCUMENTS

| | | | | |
|--------------|------|---------|----------------|------------------------|
| 8,875,054 | B2 | 10/2014 | Hopkins | |
| D716,819 | S * | 11/2014 | Kotler | D14/485 |
| D724,621 | S | 3/2015 | Rydenhag | |
| 8,976,126 | B2 | 3/2015 | Kim | |
| D726,741 | S | 4/2015 | Lee | |
| 9,104,211 | B2 | 8/2015 | Fadell | |
| D739,861 | S * | 9/2015 | Perez | D14/485 |
| D739,872 | S | 9/2015 | Bang | |
| D740,301 | S * | 10/2015 | Soegiono | D14/485 |
| 9,175,871 | B2 | 11/2015 | Gourlay | |
| D748,101 | S | 1/2016 | Bang | |
| 2007/0220442 | A1 * | 9/2007 | Bohan | G06F 1/1626 715/786 |
| 2012/0191257 | A1 | 7/2012 | Corcoran | |
| 2013/0127911 | A1 | 5/2013 | Brown | |
| 2014/0160078 | A1 | 6/2014 | Seo | |

OTHER PUBLICATIONS

Office Action dated Sep. 1, 2015 in corresponding Japanese Application No. 2015-006327.

Office Action dated Sep. 5, 2015 in corresponding Korean Application No. 30-2015-0015029.

Uber Launches New Carpooling App for Driver in China (on-line), dated Oct. 2, 2015. Retrieved from Internet Feb. 24, 2016, URL: <https://web.archive.org/web/20151002181940/http://www.autoevolution.com/news/uber-launches-new-carpooling-app-for-drivers-in-china-100322.html> (1 page).

U.S. Registered Trademark #4437078, filed on Jan. 19, 2012 by Daniel Martinez Fumoleau. First-use-in-commerce date Apr. 15, 2012.

U.S. Registered Trademark #4454064, filed Apr. 24, 2013 by LPB, LLC. First-use-in-commerce date Jan. 7, 2013.

U.S. Registered Trademark #4740462, filed Mar. 17, 2014 by Brotherhood Mutual Insurance Company. First-use-in-commerce date Jul. 1, 2014.

Getting Online with the Uber Partner App (on-line), dated Jan. 22, 2015. Retrieved from Internet Feb. 24, 2016, URL: <https://web.archive.org/web/201501222010731/http://www.ubersyney.info/app> (2 pages).

* cited by examiner

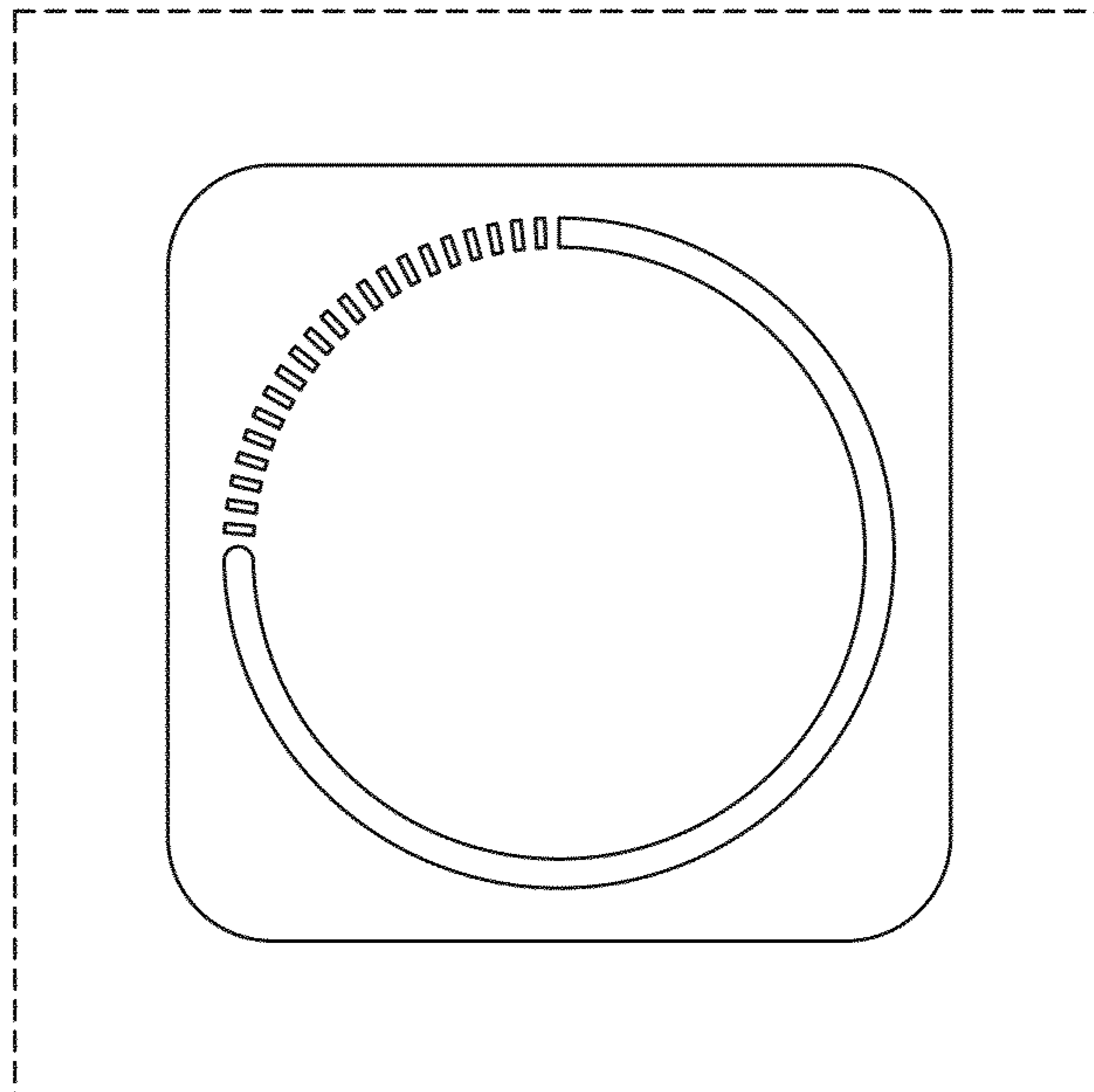


FIG. 1

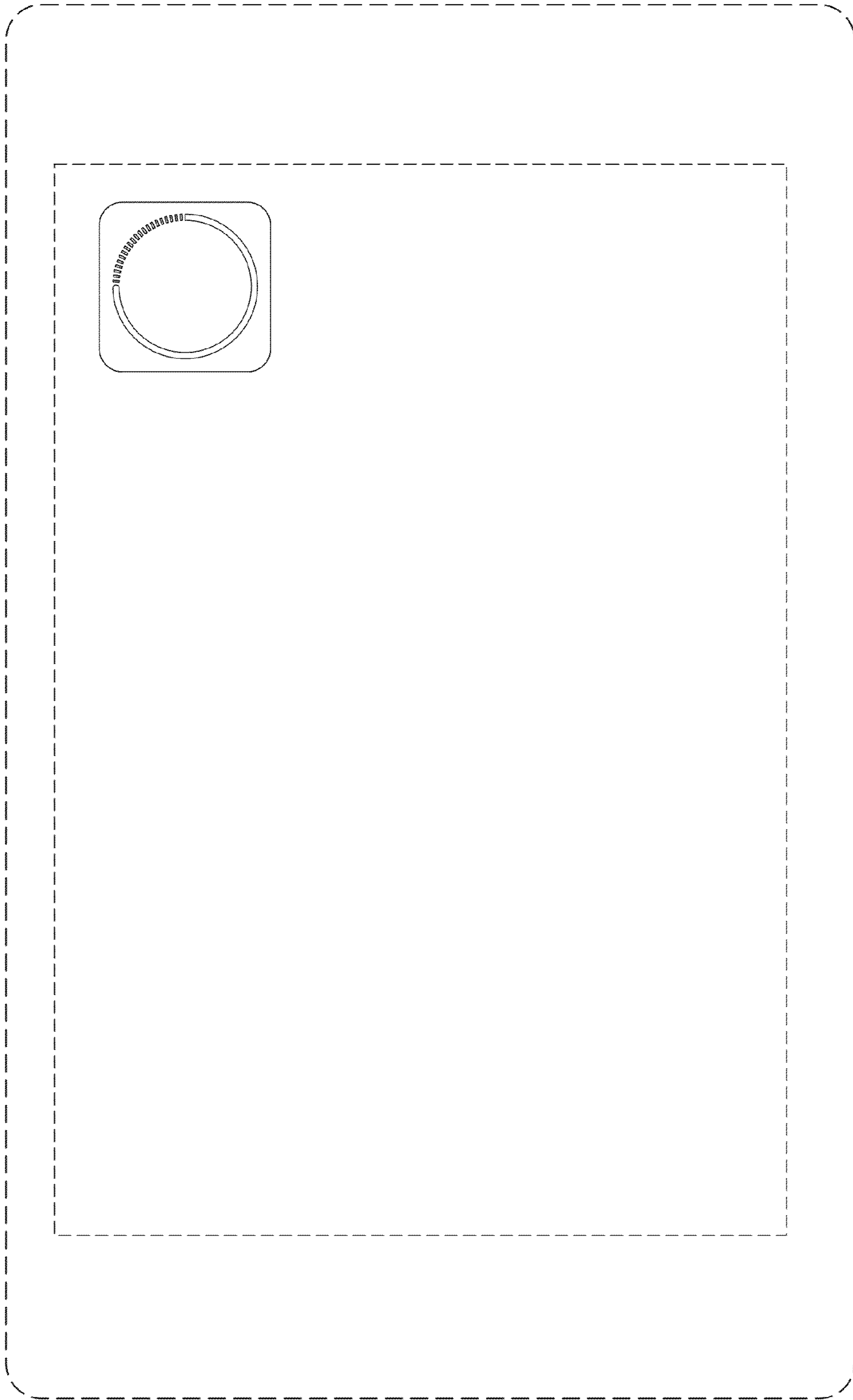


FIG. 2