



US00D760270S

(12) **United States Design Patent**
Herold et al.

(10) **Patent No.:** **US D760,270 S**
(45) **Date of Patent:** **** Jun. 28, 2016**

(54) **DISPLAY SCREEN WITH GRAPHICAL USER INTERFACE**

(71) Applicant: **Microsoft Corporation**, Redmond, WA (US)

(72) Inventors: **Jeffrey Alan Herold**, Kirkland, WA (US); **Nicholas R. Barling**, Redmond, WA (US); **Charla Pereira**, Seattle, WA (US); **Arianne Taylor**, Woodinville, WA (US)

(73) Assignee: **Microsoft Corporation**, Redmond, WA (US)

(**) Term: **14 Years**

(21) Appl. No.: **29/478,880**

(22) Filed: **Jan. 9, 2014**

(51) **LOC (10) Cl.** **14-04**

(52) **U.S. Cl.**
USPC **D14/487**

(58) **Field of Classification Search**
USPC D14/485–495
CPC G06T 13/80; G06T 15/02; H04N 1/00424;
G06F 3/04817; G06F 3/0481
See application file for complete search history.

(56) **References Cited**

U.S. PATENT DOCUMENTS

D554,661 S *	11/2007	Hoover	D14/487
D554,662 S *	11/2007	Hoover	D14/487
D622,729 S *	8/2010	Oda	D14/485
D626,144 S *	10/2010	Vandeberghe	D14/492
D650,796 S *	12/2011	Rincover	D14/492
D667,843 S *	9/2012	Baumann	D14/492
D711,904 S *	8/2014	Sundy	D14/486
D716,317 S *	10/2014	Behzadi	D14/485
D730,917 S *	6/2015	Lee	D14/485
D733,752 S *	7/2015	Kim	D14/492
D745,533 S *	12/2015	Luo	D14/485

D748,135 S *	1/2016	Kim	D14/485
2014/0101576 A1 *	4/2014	Kwak	G06F 3/0482 715/761
2014/0137042 A1 *	5/2014	Du	G06F 3/0482 715/834
2015/0085157 A1 *	3/2015	Yamaguchi	H04N 5/2252 348/223.1
2015/0185969 A1 *	7/2015	Bae	G06F 3/0481 715/790

OTHER PUBLICATIONS

‘Android Catch Notes App Like Circle Menu’. Stackoverflow.com [online]. Sep. 25, 2012 [retrieved Apr. 11, 2016]. Retrieved from the Internet: <URL: <http://stackoverflow.com/questions/12579224/android-catch-notes-app-like-circle-menu>>.*
Maxim, Andrey. ‘Circle Menu + PSD’. dribbble.com [online]. Jun. 16, 2012 [retrieved Apr. 11, 2016]. Retrieved from the Internet: <URL: <https://dribbble.com/shots/647272-Circle-Menu-PSD>>.*

(Continued)

Primary Examiner — Eric Goodman

Assistant Examiner — Megan M Majcher Hartnett

(74) *Attorney, Agent, or Firm* — Banner & Witcoff, Ltd.

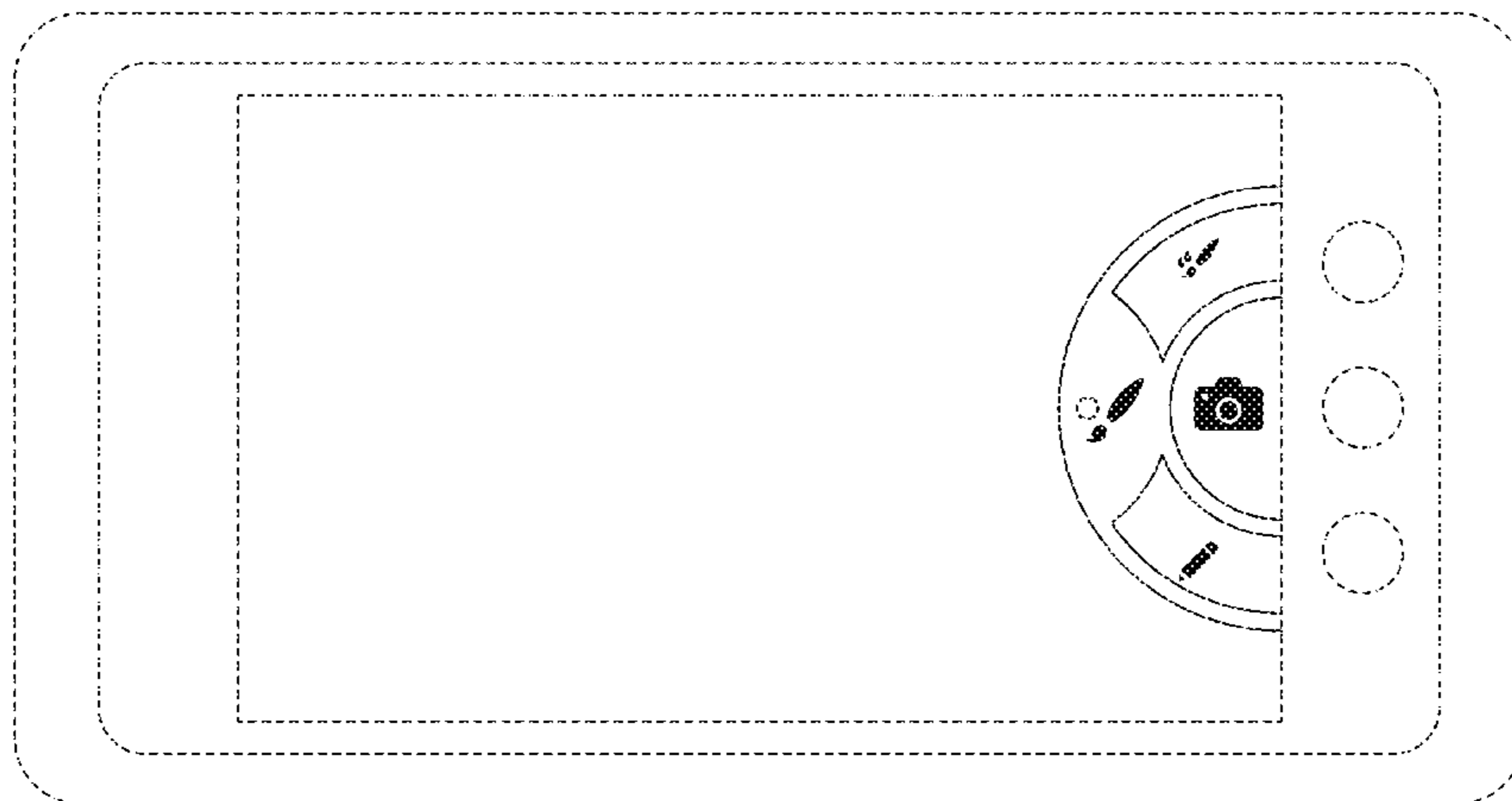
(57) **CLAIM**

The ornamental design for a display screen with graphical user interface, as shown and described.

DESCRIPTION

FIG. 1 is a front view of a display screen with graphical user interface showing our new design;
FIG. 2 is a front view of the display screen with graphical user interface showing an alternative embodiment of our new design; and,
FIG. 3 is a front view of the display screen with graphical user interface showing an alternative embodiment of our new design.
The broken line showing of the remainder of the user interface and the remainder of the display screen is for environmental purposes only and forms no part of the claimed design.

1 Claim, 3 Drawing Sheets



(56)

References Cited

OTHER PUBLICATIONS

King, Tommy. 'Circular Menu Thingy Comeback'. dribbble.com [online]. Jan. 3, 2013 [retrieved Apr. 11, 2016]. Retrieved from the Internet: <URL: <https://dribbble.com/shots/878951-Circular-Menu-Thingy-Comeback>>.*

'Circular Menu 2'. dribbble.com [online]. Jul. 27, 2012 [retrieved Apr. 11, 2016]. Retrieved from the Internet: <URL: <https://dribbble.com/shots/663860-Circular-Menu-2>>.*

Brewis, Marie. 'Magix Camera MX review'. pcadvisor.co.uk [online]. Jul. 19, 2012 [retrieved Apr. 11, 2016]. Retrieved from the Internet: <URL: <http://www.pcadvisor.co.uk/review/android-apps/magix-camera-mx-review-3370645/>>.*

'OneNote Windows Store App, gets Radial Menu, OCR, Camera Scan & more'. thewindowsclub.com [online]. Dec. 23, 2013 [retrieved Apr. 11, 2016]. Retrieved from the Internet: <URL: <http://www.thewindowsclub.com/onenote-windows-store-app>>.*

'Radial menu android with button click?'. stackoverflow.com [online]. Sep. 25, 2012 [retrieved Apr. 11, 2016]. Retrieved from the

Internet: <URL: <http://stackoverflow.com/questions/12577200/radial-menu-android-with-button-click>>.*

William Baxter and Naga Govindaraju, Simple Data-Driven Modeling of Brushes, published Feb. 2010, by Association for Computing Machinery, Inc., USA [online]. [retrieved Jul. 16, 2013]. Retrieved from Internet, URL: <<http://research.microsoft.com/apps/pubs/default.aspx?id=120512>>.

Nelson Chu et al., Detail Preserving Paint Modeling for 3D Brushes, published Jun. 7, 2010, by Association for Computing Machinery, Inc., USA [online]. [retrieved Jul. 16, 2013]. Retrieved from Internet, URL: <<http://research.microsoft.com/apps/pubs/default.aspx?id=121930>>.

Project Gustav: Immersive Digital Painting, published Mar. 2, 2010, by Microsoft Corporation, Redmond, WA, USA [online]. [retrieved Jul. 16, 2013]. Retrieved from Internet, URL: <<http://research.microsoft.com/en-us/projects/gustav/default.aspx>>.

Screenshots of Microsoft Paint program, published by Microsoft Corporation, Redmond, WA, USA. Print date Jul. 16, 2013. Date released unknown, but prior to the filing of the present application.

* cited by examiner

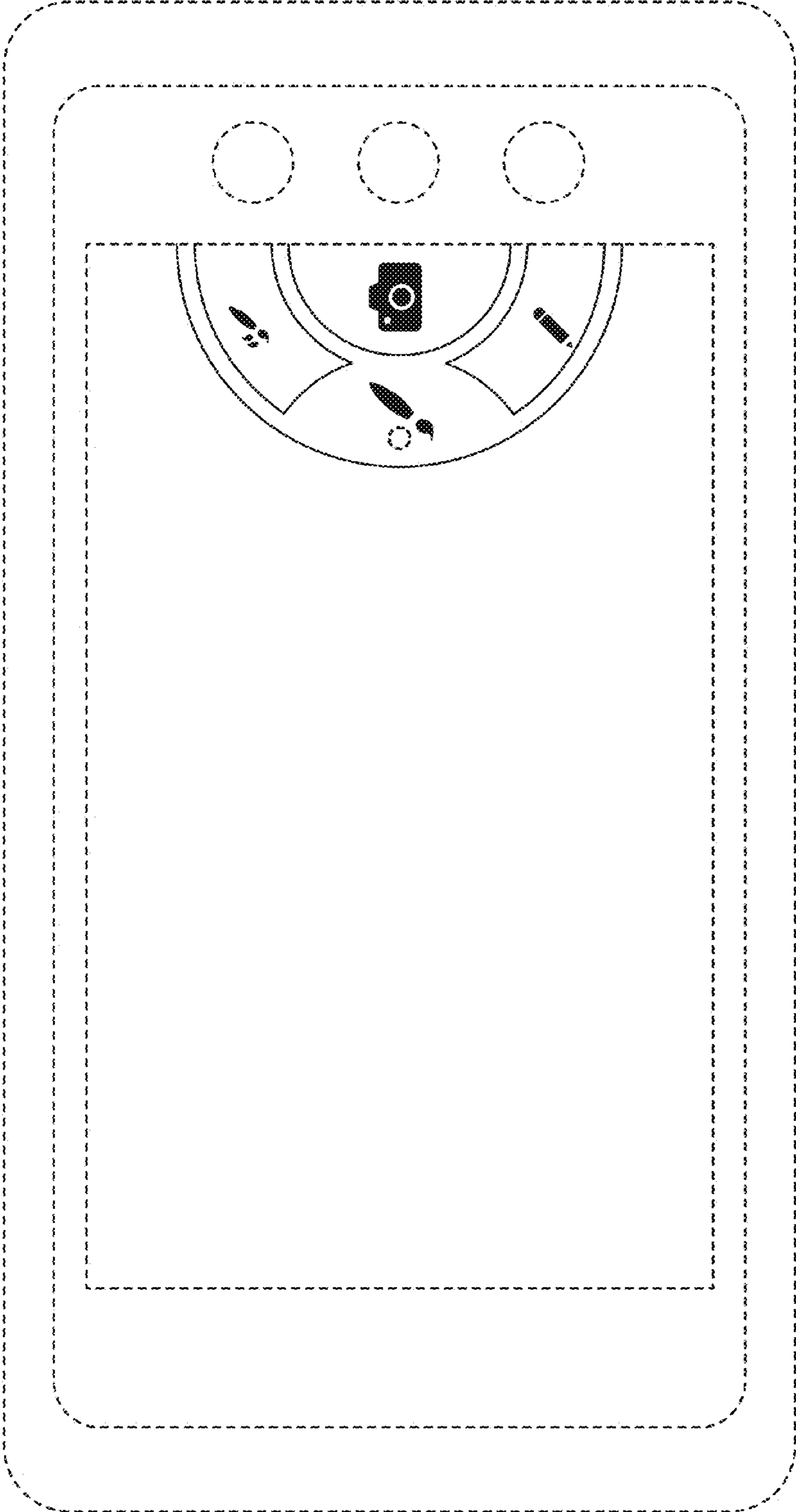


FIG. 1

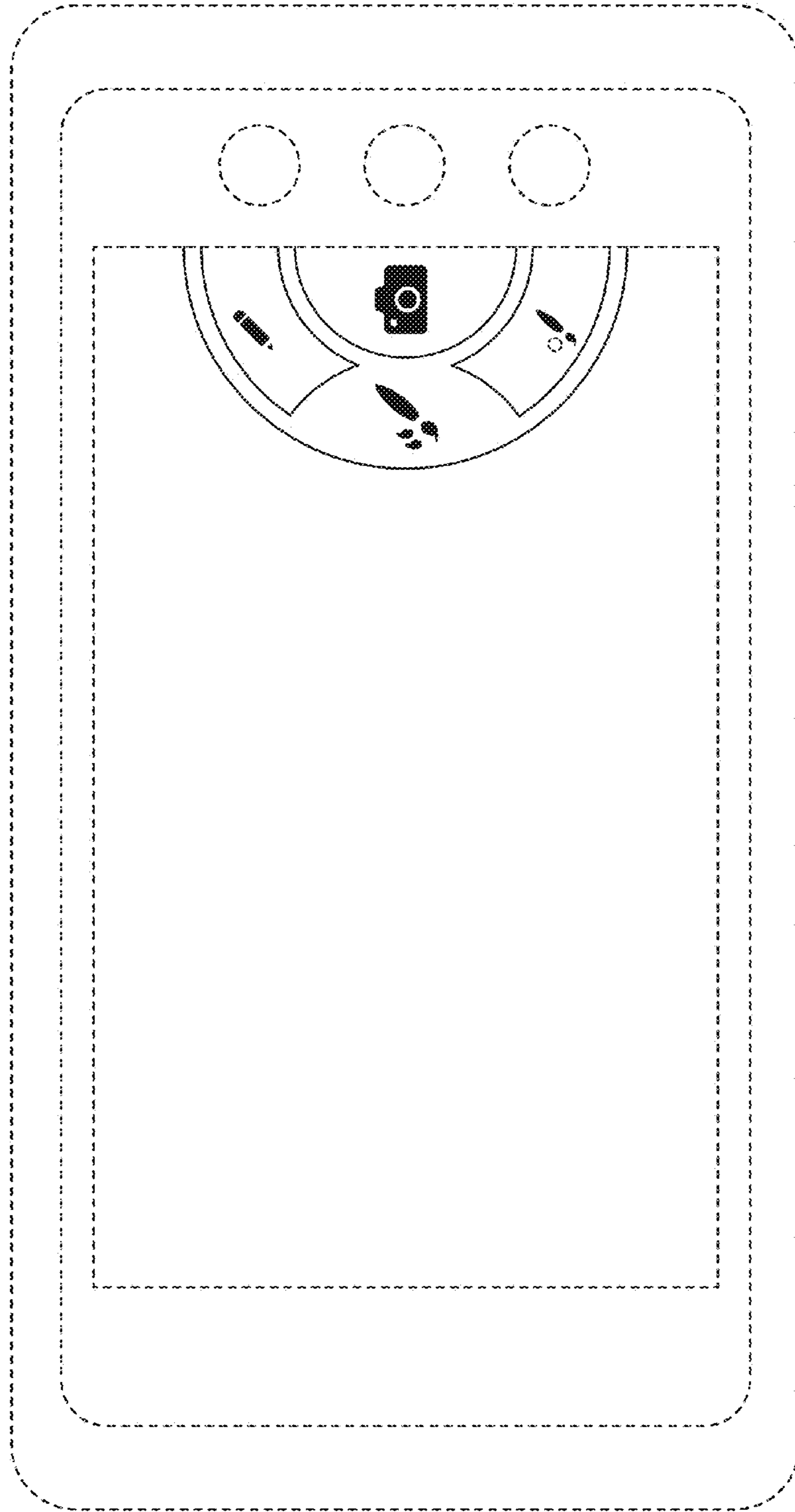


FIG. 2

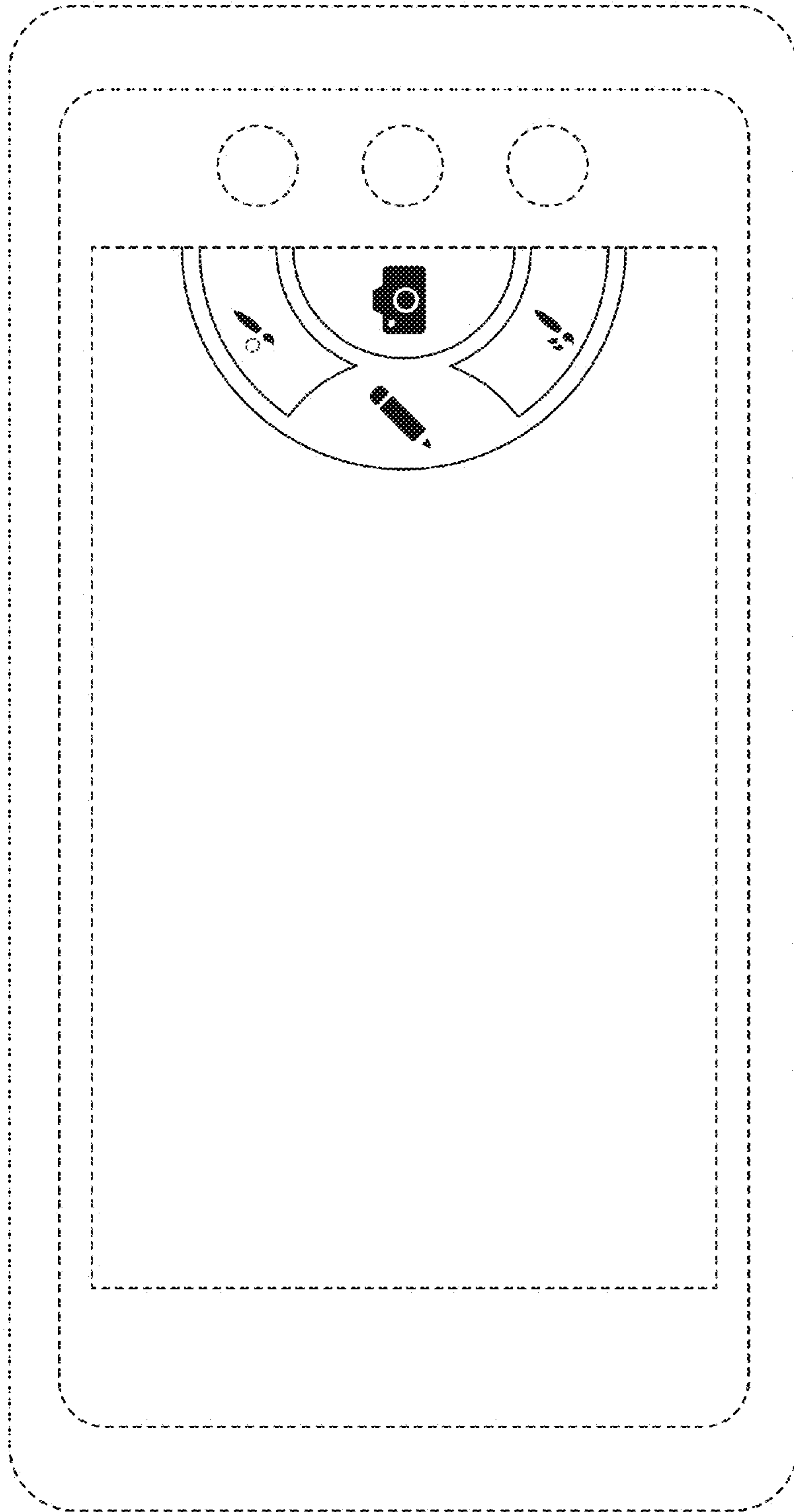


FIG. 3