

US00D760261S

(12) **United States Design Patent**
Yu et al.

(10) **Patent No.:** **US D760,261 S**
(45) **Date of Patent:** **** Jun. 28, 2016**

(54) **DISPLAY SCREEN OF A COMMUNICATIONS TERMINAL WITH GRAPHICAL USER INTERFACE**

(71) Applicant: **Opower, Inc.**, Arlington, VA (US)

(72) Inventors: **Suelyn Yu**, San Francisco, CA (US);
Aaron Otani, Fresno, CA (US)

(73) Assignee: **Opower, Inc.**, Arlington, VA (US)

(**) Term: **14 Years**

(21) Appl. No.: **29/495,226**

(22) Filed: **Jun. 27, 2014**

(51) **LOC (10) Cl.** **14-04**

(52) **U.S. Cl.**
USPC **D14/486**; D14/495

(58) **Field of Classification Search**
USPC D14/485-488, 489, 495; 715/706
CPC G06F 17/3005; G06F 17/30112;
G06F 17/30716
See application file for complete search history.

(56) **References Cited**

U.S. PATENT DOCUMENTS

- 5,835,693 A * 11/1998 Lynch B25J 9/1605
345/473
- 5,870,093 A * 2/1999 Martin G06T 7/001
715/700
- 5,930,803 A * 7/1999 Becker G06F 17/30716
- 6,042,549 A * 3/2000 Amano A61B 5/02438
600/500
- 6,126,595 A * 10/2000 Amano A61B 5/02
600/300
- 6,381,556 B1 * 4/2002 Kazemi G05B 19/41875
345/594
- 6,606,104 B1 * 8/2003 Kondo A63F 13/10
463/4
- 7,878,890 B2 * 2/2011 Toyohara A63F 13/10
463/3
- D660,867 S * 5/2012 Marchetti D14/486
- 8,296,686 B1 * 10/2012 Tedesco G06F 19/3406
434/112
- D671,550 S * 11/2012 Chen D14/486

- D687,445 S * 8/2013 Fuhrmann D14/485
- D697,526 S * 1/2014 Bruck D14/487
- D703,690 S * 4/2014 MacCubbin D14/488
- D707,245 S * 6/2014 Bruck D14/486
- D710,871 S * 8/2014 McCormack D14/486
- 8,954,849 B2 * 2/2015 Doi H04L 67/38
715/706
- D725,133 S * 3/2015 Smirin D14/486
- 9,001,143 B2 * 4/2015 Felt G06Q 5/028
345/594
- D730,386 S * 5/2015 Ryan D14/488
- D731,538 S * 6/2015 Lee D14/488
- D732,049 S * 6/2015 Amin D14/485
- D732,062 S * 6/2015 Kwon D14/487

(Continued)

OTHER PUBLICATIONS

Karsten, Green nudge: The classic social comparison experiment by Opower, posted at iNudgeyou, posting date Nov. 28, 2012. [online], [site visited Nov. 12, 2015]. Available from Internet, <URL: http://inudgeyou.com/greennudgetheclasssocialcomparisonexperimenbyopower/>.*

(Continued)

Primary Examiner — Karen E Kearney

Assistant Examiner — Kathleen Jones

(74) *Attorney, Agent, or Firm* — Polsinelli PC

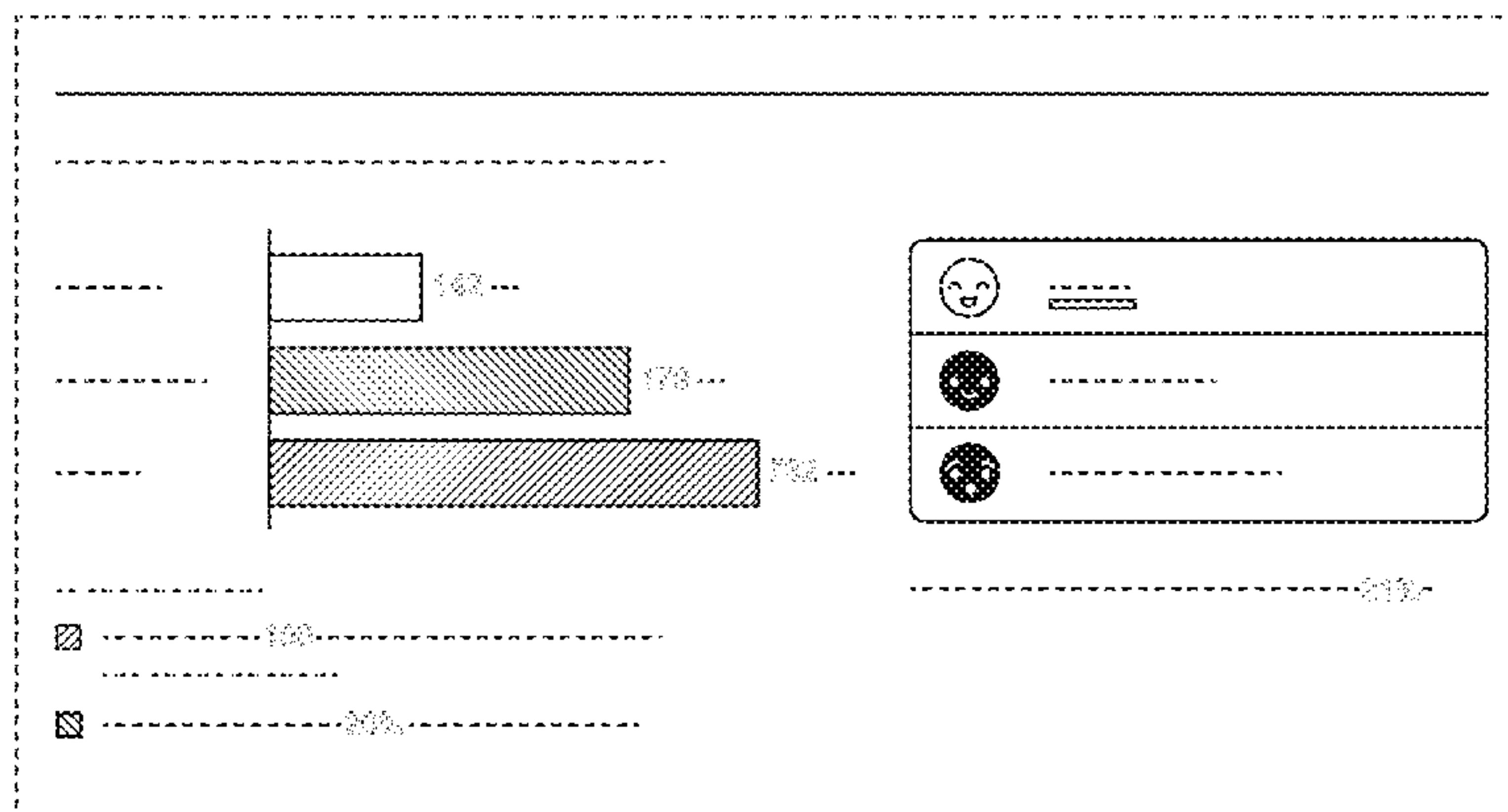
(57) **CLAIM**

We claim the ornamental design for a display screen of a communications terminal with graphical user interface, as shown and described.

DESCRIPTION

FIG. 1 is a front view of a display screen of a communications terminal with graphical user interface; FIG. 2 is a front view of a second embodiment thereof; and, FIG. 3 is a front view of a third embodiment thereof. The outer broken line rectangle showing of the display screen of a communication terminal and all other broken lines showing portions of the graphical user interface are included for the purpose of illustrating portions of the article and form no part of the claimed design.

1 Claim, 3 Drawing Sheets



(56)

References Cited

U.S. PATENT DOCUMENTS

9,129,054 B2 * 9/2015 Nawana A61B 19/50
 9,245,279 B2 * 1/2016 Hsiao G06Q 30/0243
 2006/0095331 A1 * 5/2006 O'Malley G06F 17/30902
 705/22
 2006/0246968 A1 * 11/2006 Dyke-Wells A63F 13/10
 463/1
 2007/0005468 A1 * 1/2007 Feller G06Q 40/02
 705/35
 2008/0037841 A1 * 2/2008 Ogawa H04N 5/232
 382/118
 2008/0189632 A1 * 8/2008 Tien G06Q 30/02
 715/764
 2009/0109310 A1 * 4/2009 Kobayashi H04N 5/142
 348/302
 2009/0118632 A1 * 5/2009 Goepp A61B 5/0836
 600/532
 2009/0217175 A1 * 8/2009 Bechtel G06F 17/30716
 715/751
 2010/0180223 A1 * 7/2010 Speier G06F 17/30716
 715/771
 2011/0221922 A1 * 9/2011 Matsumoto H04N 5/23219
 348/222.1
 2012/0116550 A1 * 5/2012 Hoffman A63B 71/0622
 700/91
 2012/0290950 A1 * 11/2012 Rapaport H04L 51/32
 715/753
 2012/0310708 A1 * 12/2012 Curtis G06Q 50/06
 705/7.33
 2013/0041898 A1 * 2/2013 Ishida G06F 17/3089
 707/736
 2013/0247078 A1 * 9/2013 Nikankin H04N 21/44204
 725/13
 2014/0010457 A1 * 1/2014 Kuraya G06K 9/46
 382/195

2014/0107439 A1 * 4/2014 Atsumori A61B 5/165
 600/322
 2014/0164198 A1 * 6/2014 Caldwell G06Q 40/00
 705/35
 2015/0094865 A1 * 4/2015 Choi G06F 3/0488
 700/278
 2015/0267935 A1 * 9/2015 Devenish F24F 11/0086
 700/278
 2015/0300831 A1 * 10/2015 Sernicola G01C 21/3476
 701/408
 2015/0310019 A1 * 10/2015 Royer G06F 17/3053
 707/749
 2015/0310465 A1 * 10/2015 Chan G06Q 30/0205
 705/7.34
 2015/0319119 A1 * 11/2015 Ryu H04L 51/10
 715/752
 2015/0341297 A1 * 11/2015 Barfield, Jr. H04L 51/18
 709/206

OTHER PUBLICATIONS

Rocheleau, Jake, 38 Amazingly Well-Designed Emoji Iconsets, posted at SpyreStudios, posting date Mar. 25, 2015. (Reference being made to p. 1). SpyreStudios © 2015. [online], [site visited Nov. 18, 2015]. Available from Internet, <URL: <http://spyrestudios.com/38welldesignedemojiiconsets/>>.*
 Aragon, Liz, Black and White Emoticons, posted at Sweet Clip Art, posting date Apr. 29, 2012. © 2011 2015 Elizabeth J. Aragon. [online], [site visited Nov. 18, 2015]. Available from Internet, <URL: <http://sweetclipart.com/blackandwhiteemoticons838/>>.*
 Freepik, Surprised emoticon square face with open eyes and mouth, posted at Flat Icon, posting date not given. © 2013-2015 Graphic Resources SL. [online], [site visited Nov. 18, 2015]. Available from Internet, <URL: http://www.flaticon.com/freeicon/surprisedemoticonsquarefacewithopeneyesandmouth_42835/>.*

* cited by examiner

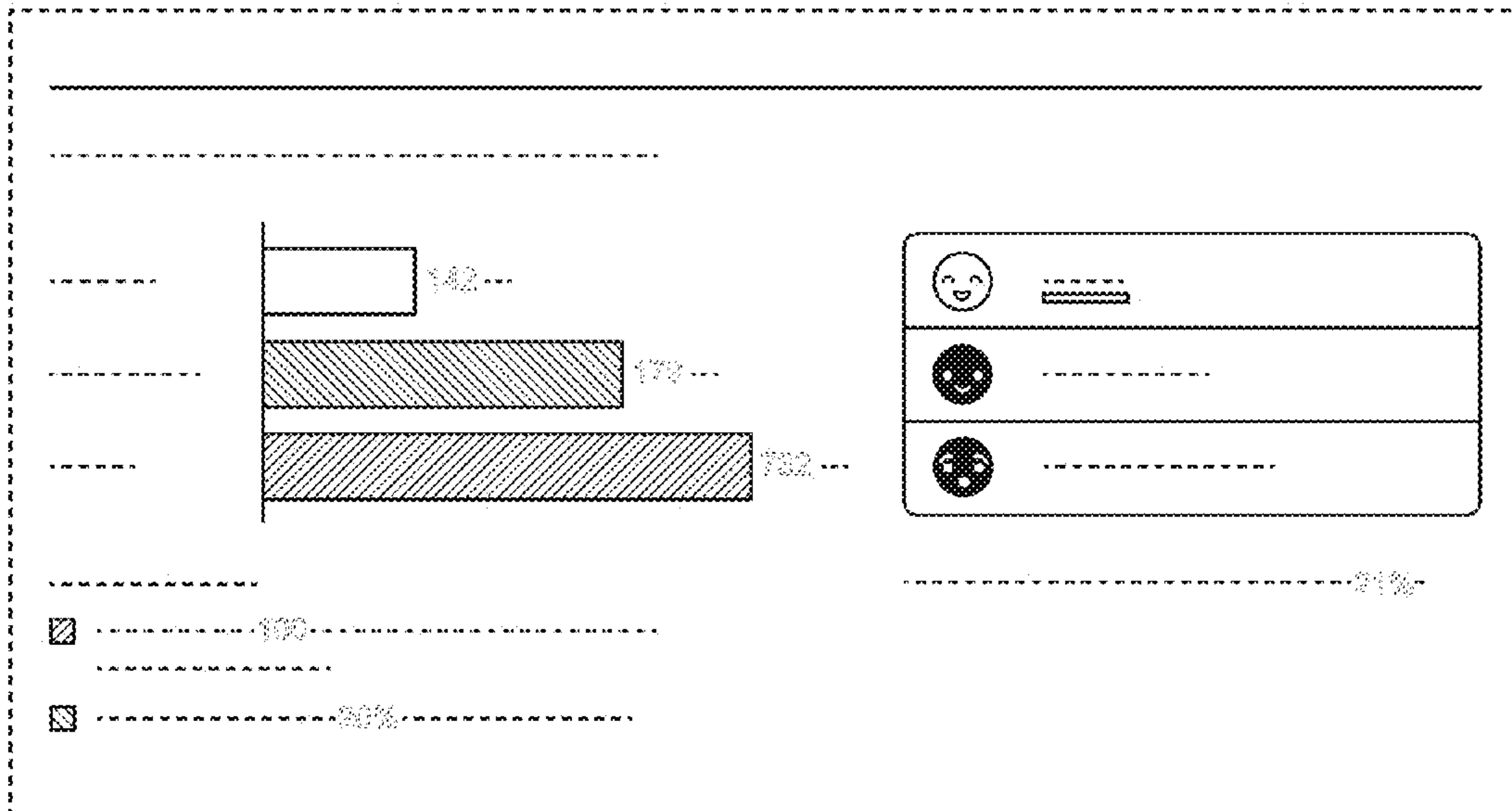


FIG. 1

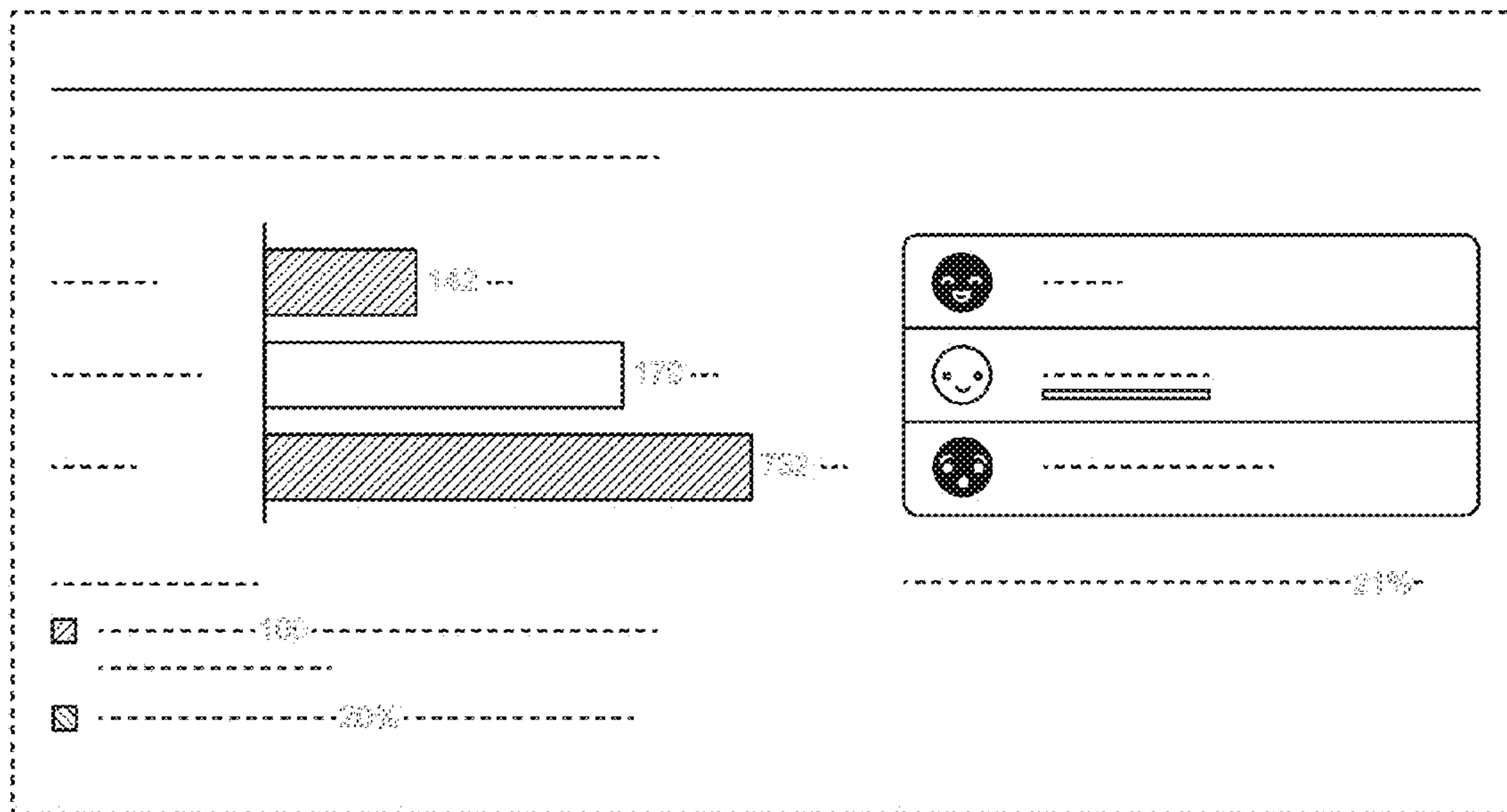


FIG. 2

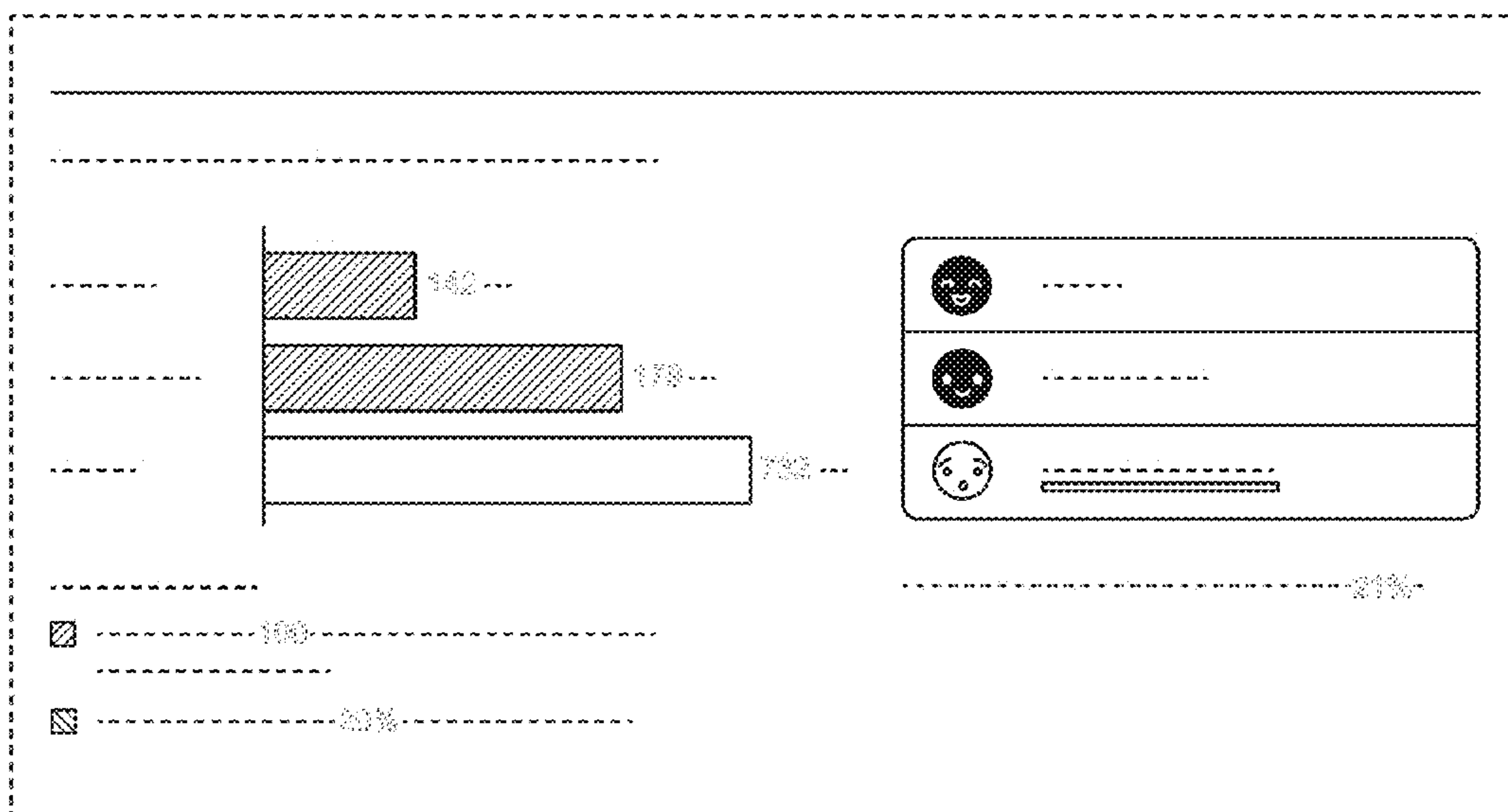


FIG. 3