



US00D760241S

(12) **United States Design Patent**  
**Brunner et al.**

(10) **Patent No.:** **US D760,241 S**  
(45) **Date of Patent:** **\*\* Jun. 28, 2016**

- (54) **PORTION OF A DISPLAY PANEL WITH A GRAPHICAL USER INTERFACE**
- (71) Applicant: **dacadoo ag**, Zurich (CH)
- (72) Inventors: **Cyril Brunner**, Zurich (CH); **Kasper Weis**, Copenhagen (DK)
- (73) Assignee: **DACADOO AG**, Zurich (CH)
- (\*\*) Term: **14 Years**
- (21) Appl. No.: **29/485,044**
- (22) Filed: **Mar. 14, 2014**
- (51) **LOC (10) Cl.** ..... **14-04**
- (52) **U.S. Cl.**  
USPC ..... **D14/485**
- (58) **Field of Classification Search**  
USPC ..... D14/485-495  
CPC ..... G06F 3/04815; G06F 3/04817; G06F 3/0483; G06F 3/0482; G06F 3/0484  
See application file for complete search history.

D614,634 S *	4/2010	Nilsen	.....	D14/486
D619,609 S *	7/2010	Meziere	.....	D14/486
D660,316 S *	5/2012	Marchetti	.....	D14/495
D660,873 S *	5/2012	Davydov	.....	D14/495
D663,318 S *	7/2012	Marchetti	.....	D14/495
D665,408 S *	8/2012	Rai	.....	D14/487
D695,756 S *	12/2013	Chan	.....	D14/485
D712,924 S *	9/2014	Rollins	.....	D14/489
D732,576 S *	6/2015	Meegan	.....	D14/489

\* cited by examiner

*Primary Examiner* — Angela J Lee

(74) *Attorney, Agent, or Firm* — Leason Ellis LLP

(57) **CLAIM**

The ornamental design for a portion of a display panel with a graphical user interface, as shown and described.

**DESCRIPTION**

FIG. 1 is a front view of a portion of a display panel with a graphical user interface showing features of our new design; and,

FIG. 2 is a detail view of a portion of FIG. 1.

The diagonal lines that are part of the claimed design are meant to portray the illusion of contrasting surfaces.

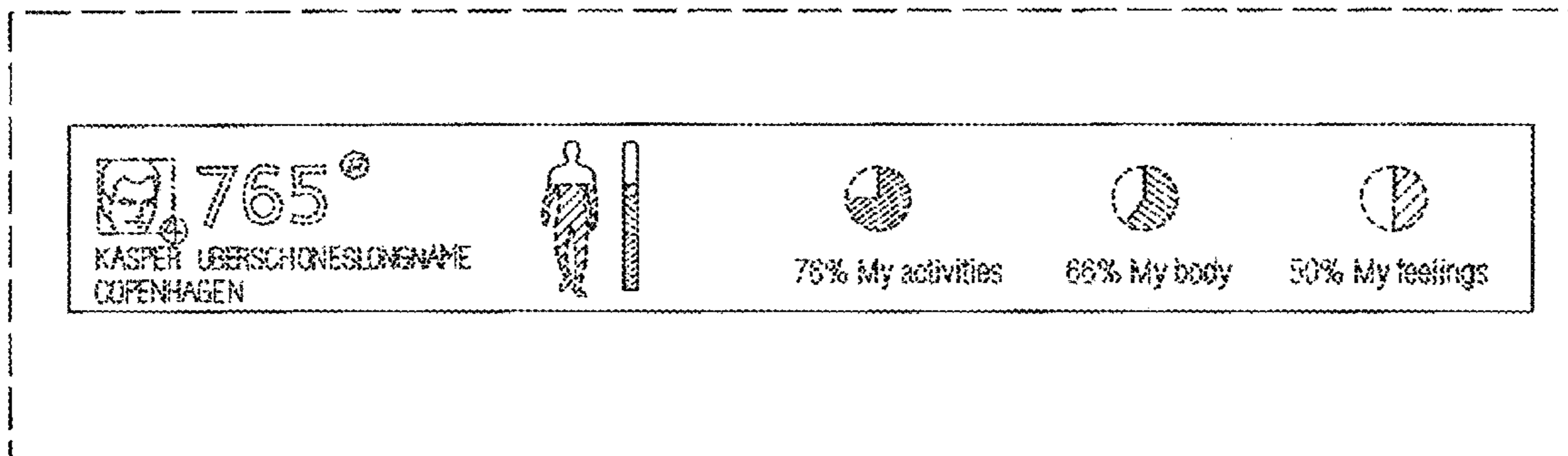
The broken lines illustrate environmental structure, namely, the text, borders, the top surface of the illustrated columnar features, and the display panel of a communications terminal surrounding all of the illustrated features, and form no part of the claimed design.

**1 Claim, 2 Drawing Sheets**

(56) **References Cited**

**U.S. PATENT DOCUMENTS**

D594,472 S *	6/2009	Hofmann	.....	D14/495
D594,473 S *	6/2009	Hofmann	.....	D14/495
D605,201 S *	12/2009	Lorenz	.....	D14/488



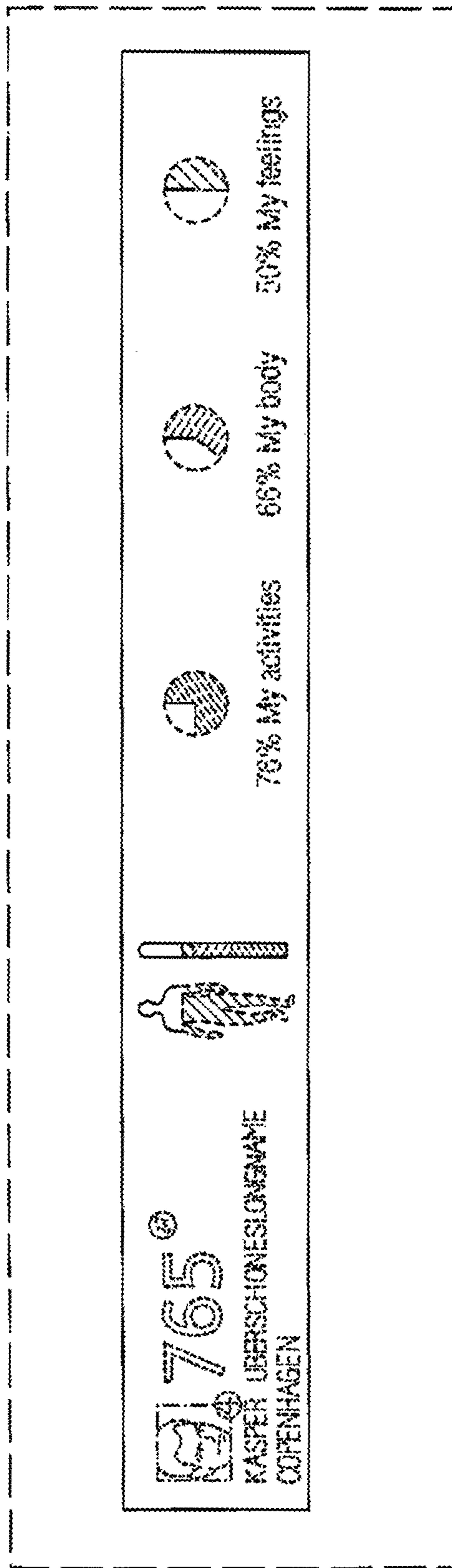


Figure 1

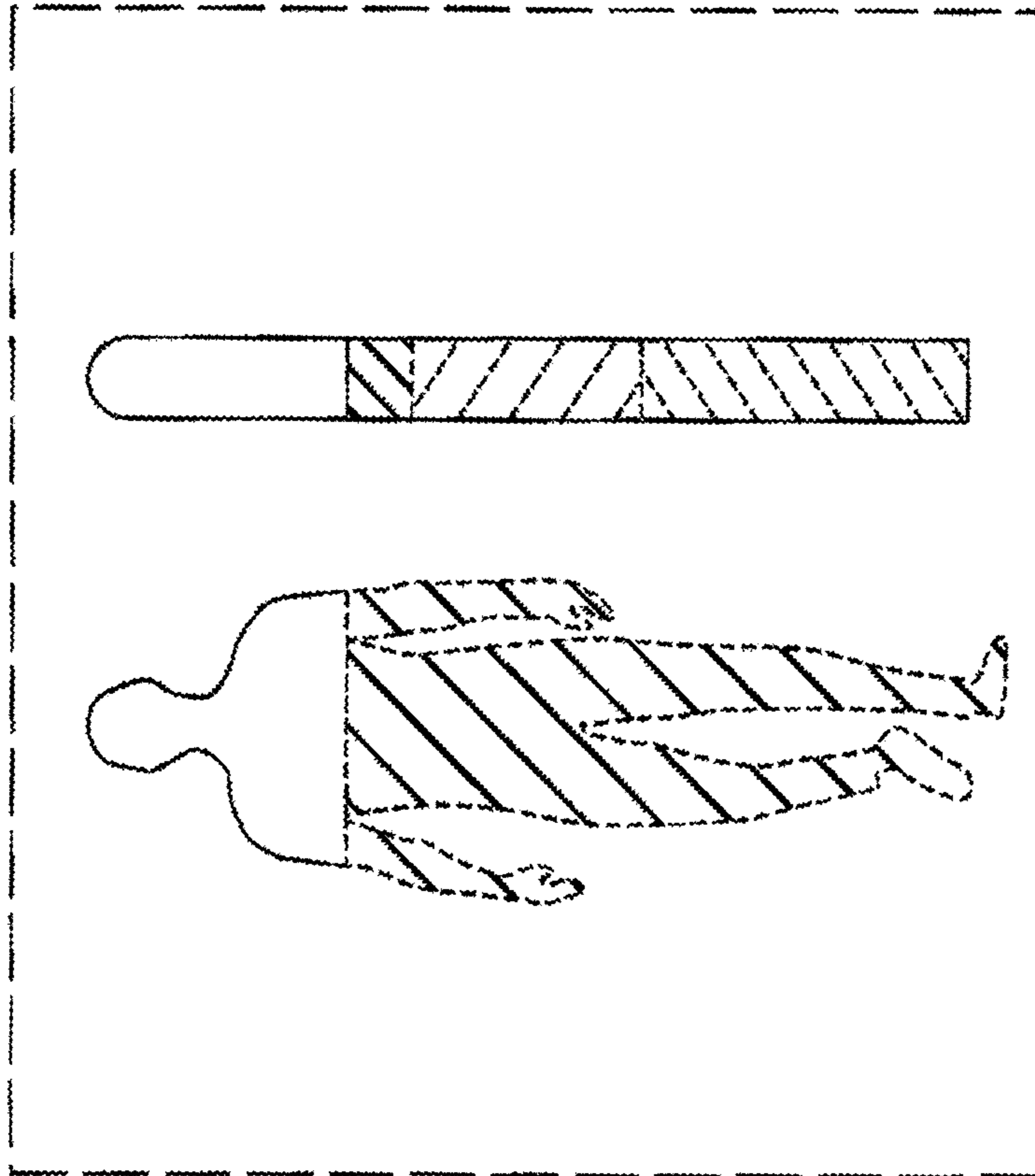


Figure 2