



US00D760231S

(12) **United States Design Patent**
Lim

(10) **Patent No.:** **US D760,231 S**
(45) **Date of Patent:** **** Jun. 28, 2016**

(54) **HOUSING FOR A PERSONAL COMPUTER**

8,215,041 B2 * 7/2012 Hill G09F 1/06
40/603

(71) Applicant: **Jonghoon Lim**, Gyeonggi-do (KR)

D678,697 S * 3/2013 Hill D6/661.3

D693,817 S * 11/2013 Lim D14/307

(72) Inventor: **Jonghoon Lim**, Gyeonggi-do (KR)

D697,505 S * 1/2014 Paton D14/307

D701,209 S * 3/2014 Lim D14/307

(**) Term: **15 Years**

D711,385 S * 8/2014 Lim D14/307

D711,386 S * 8/2014 Lim D14/307

(21) Appl. No.: **29/528,183**

OTHER PUBLICATIONS

(22) Filed: **May 27, 2015**

Korean Design Patent Application No. 30-2014-0062310, filed Dec. 22, 2014.

(51) **LOC (10) Cl.** **14-02**

(52) **U.S. Cl.**

USPC **D14/439**; D14/307

* cited by examiner

(58) **Field of Classification Search**

USPC D14/315–327, 384, 432, 439–446, 341,
D14/345, 353–355, 125, 130, 132, 138, 239,
D14/307; D16/202, 208; D9/424–432;
D6/491; D8/403; 235/145 A, 145 R;
341/22, 23; 349/12; 361/680–686;
D20/10, 41, 43

Primary Examiner — Austin Murphy

(74) *Attorney, Agent, or Firm* — Amster, Rothstein & Ebenstein, LLP

CPC H01R 24/68; H01R 13/629; H01R 24/58;
G06F 1/1688; G06F 1/1684

(57) **CLAIM**

The ornamental design for a housing for a personal computer, as shown and described.

See application file for complete search history.

DESCRIPTION

(56) **References Cited**

U.S. PATENT DOCUMENTS

D139,893 S * 1/1945 Roberts 312/140.1
D257,705 S * 12/1980 Framer D25/16
D346,867 S * 5/1994 Montilla D25/16
D397,130 S * 8/1998 Tudico D16/215
5,940,229 A * 8/1999 Baumgarten H04N 7/142
348/14.16
D423,250 S * 4/2000 Wolff D28/73
D452,712 S * 1/2002 Kim D20/10
D453,082 S * 1/2002 Kobe D6/641
D453,574 S * 2/2002 Ciocchini D25/16
D593,614 S * 6/2009 Didulo D20/43
7,596,896 B2 * 10/2009 Crowell G09F 1/06
40/124.07
D633,568 S * 3/2011 Hill D20/10

FIG. 1 is a perspective view of a housing for a personal computer showing my new design;

FIG. 2 is a front view of the housing for a personal computer of FIG. 1;

FIG. 3 is a rear view of the housing for a personal computer of FIG. 1;

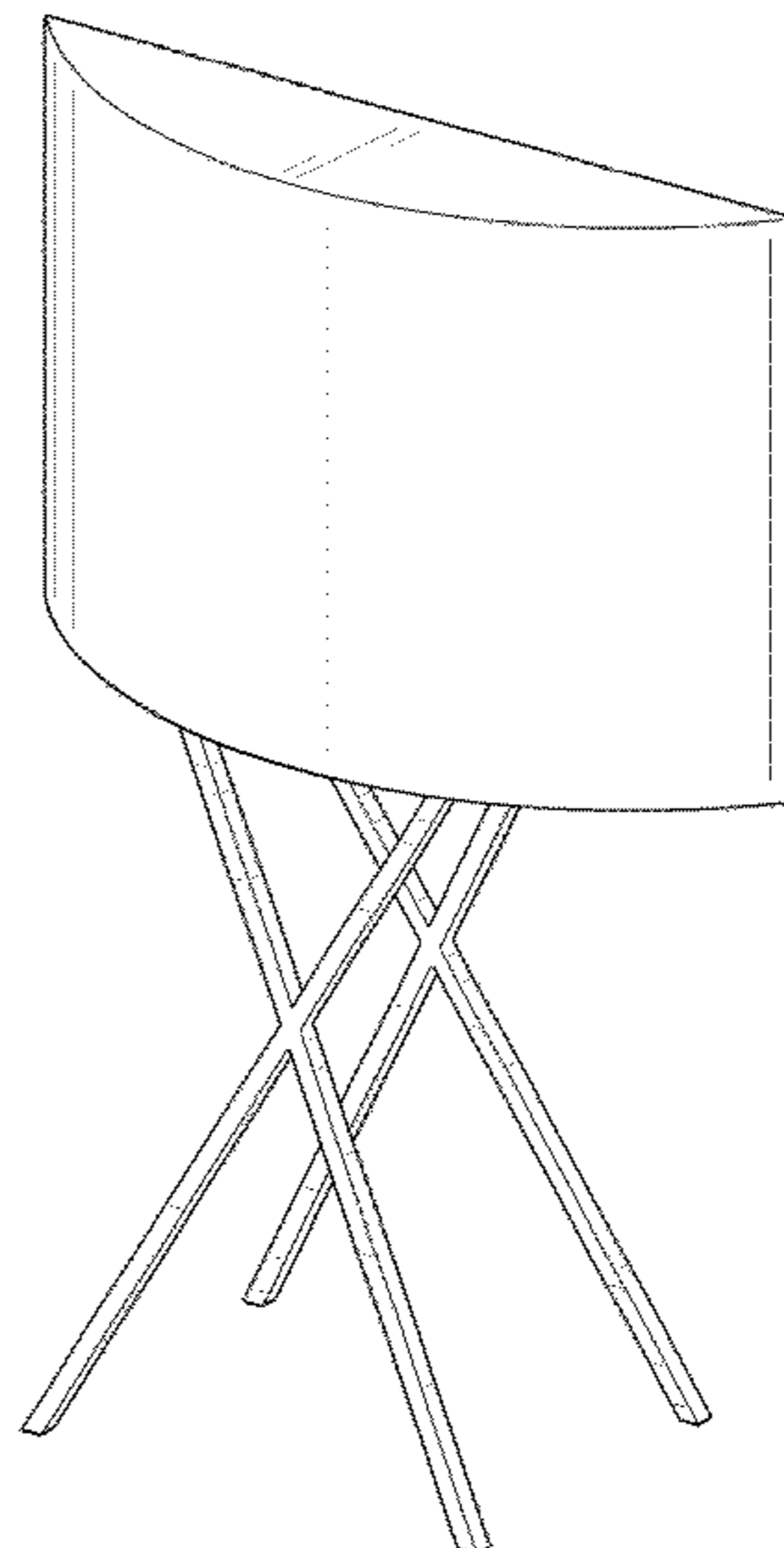
FIG. 4 is a left side view of the housing for a personal computer of FIG. 1;

FIG. 5 is a right side view of the housing for a personal computer of FIG. 1;

FIG. 6 is a top plan view of the housing for a personal computer of FIG. 1; and,

FIG. 7 is a bottom plan view of the housing for a personal computer of FIG. 1.

1 Claim, 7 Drawing Sheets



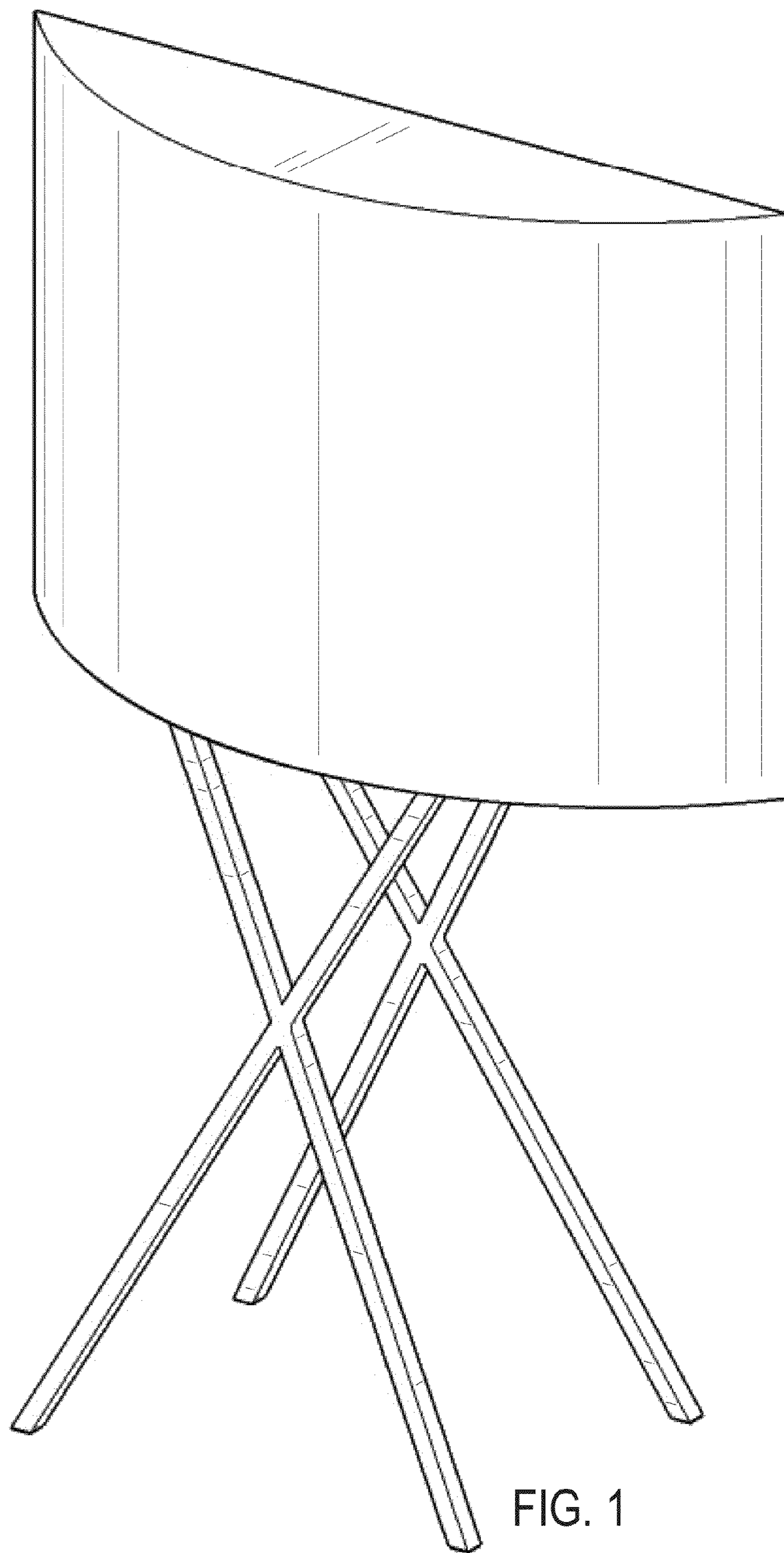


FIG. 1

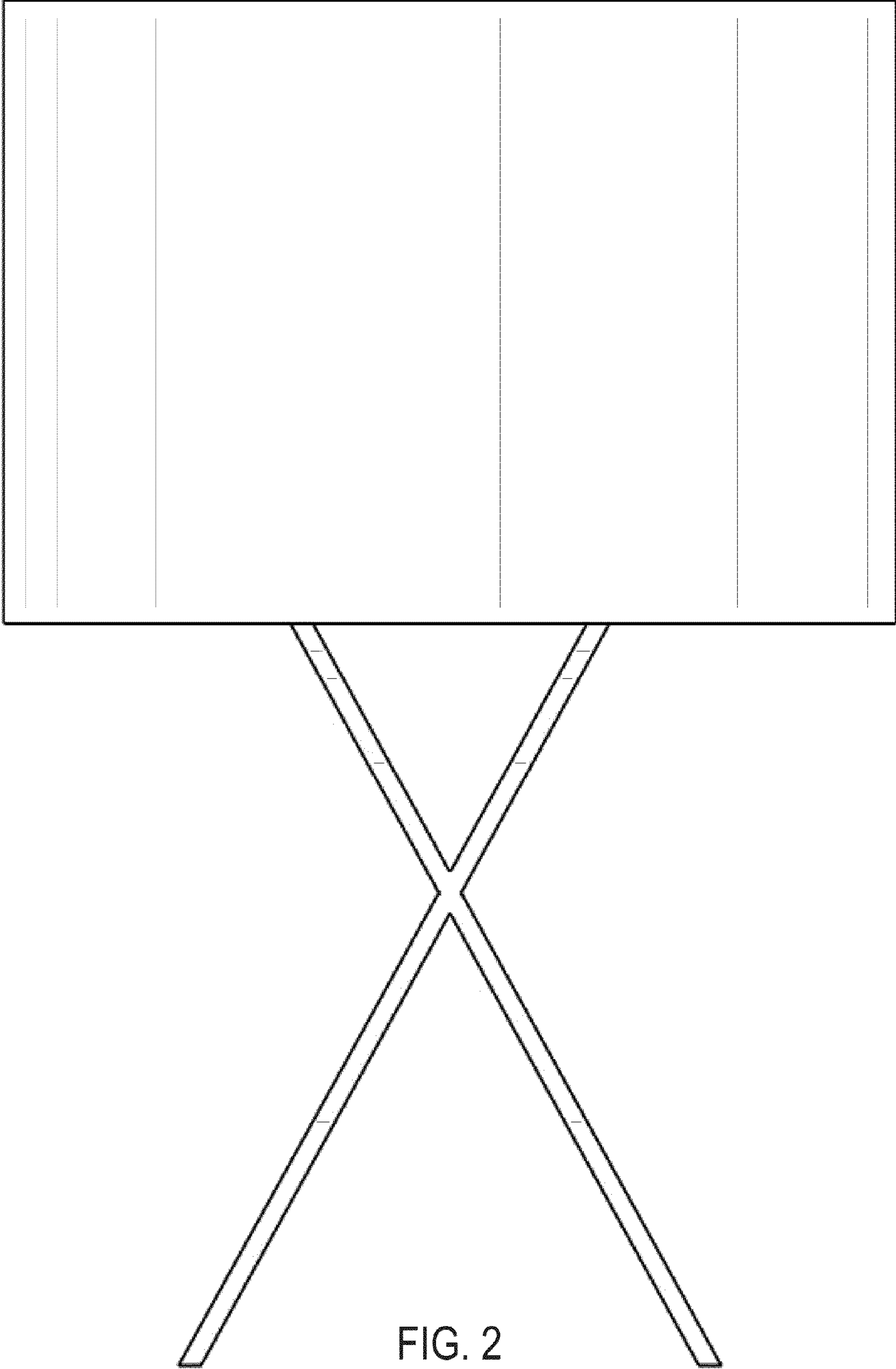


FIG. 2

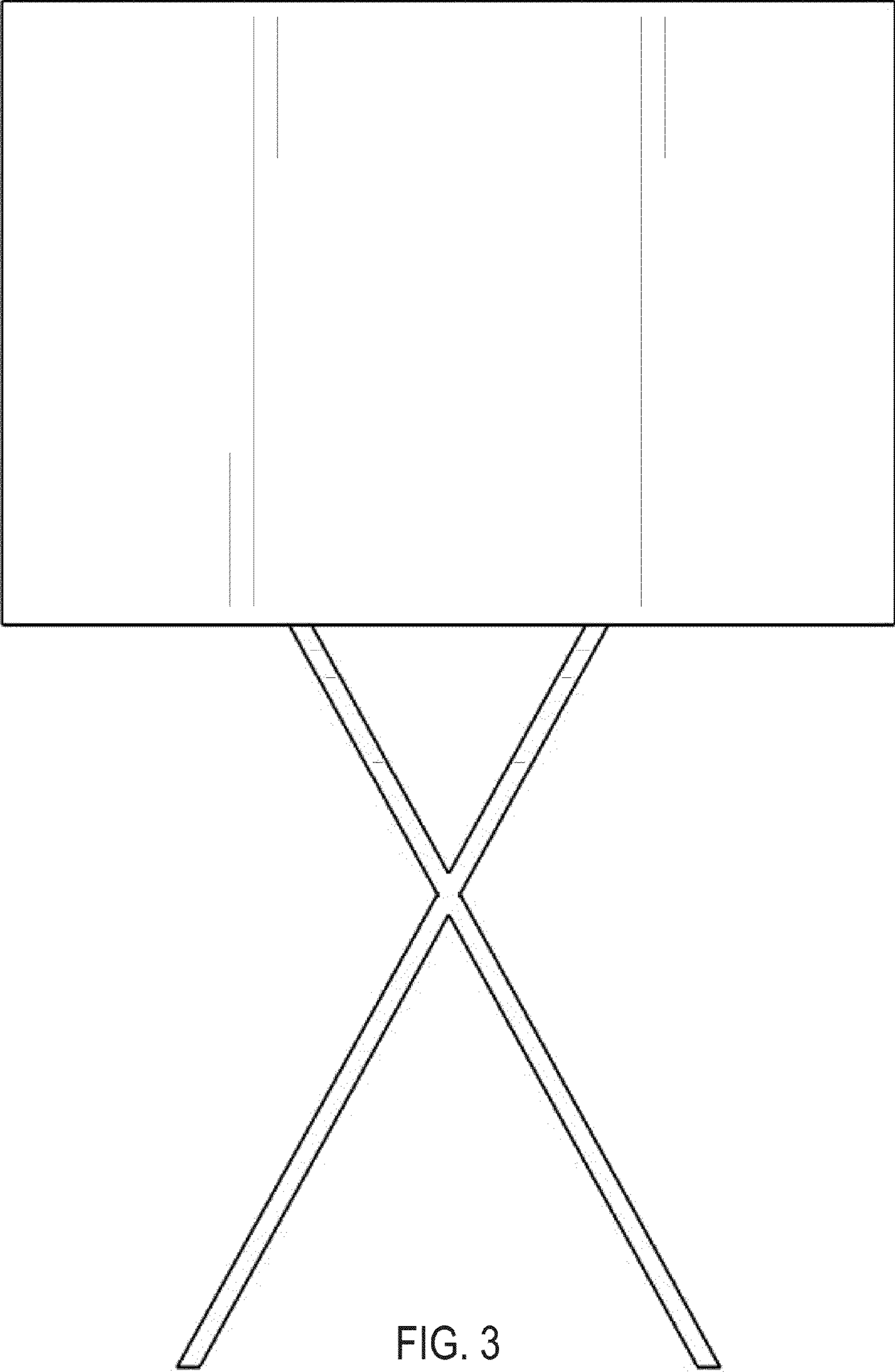


FIG. 3

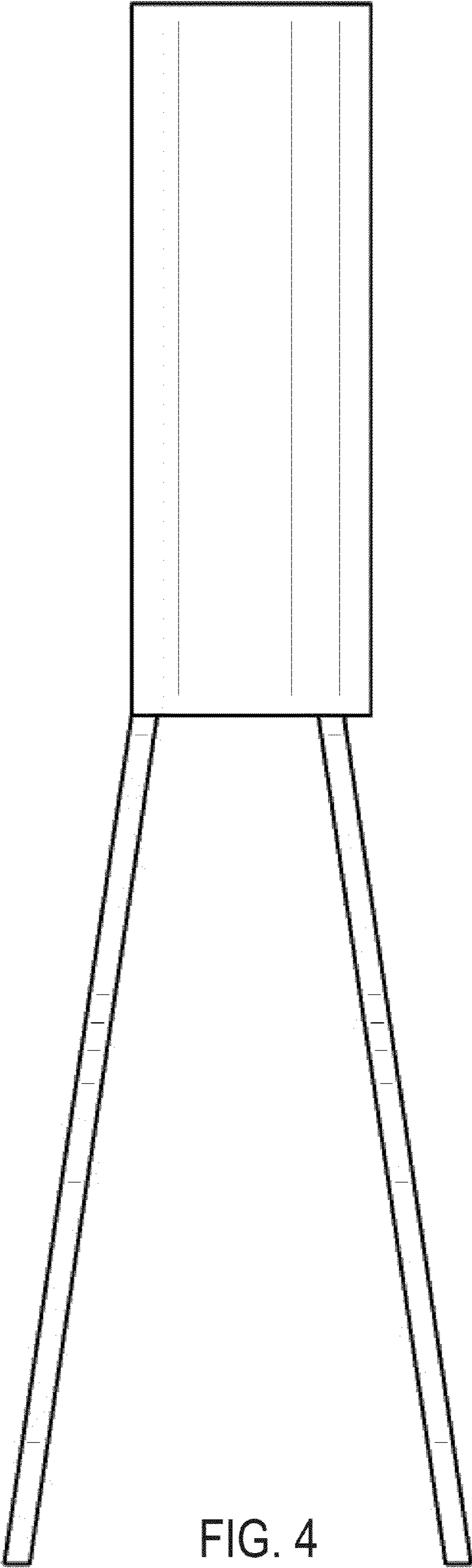


FIG. 4

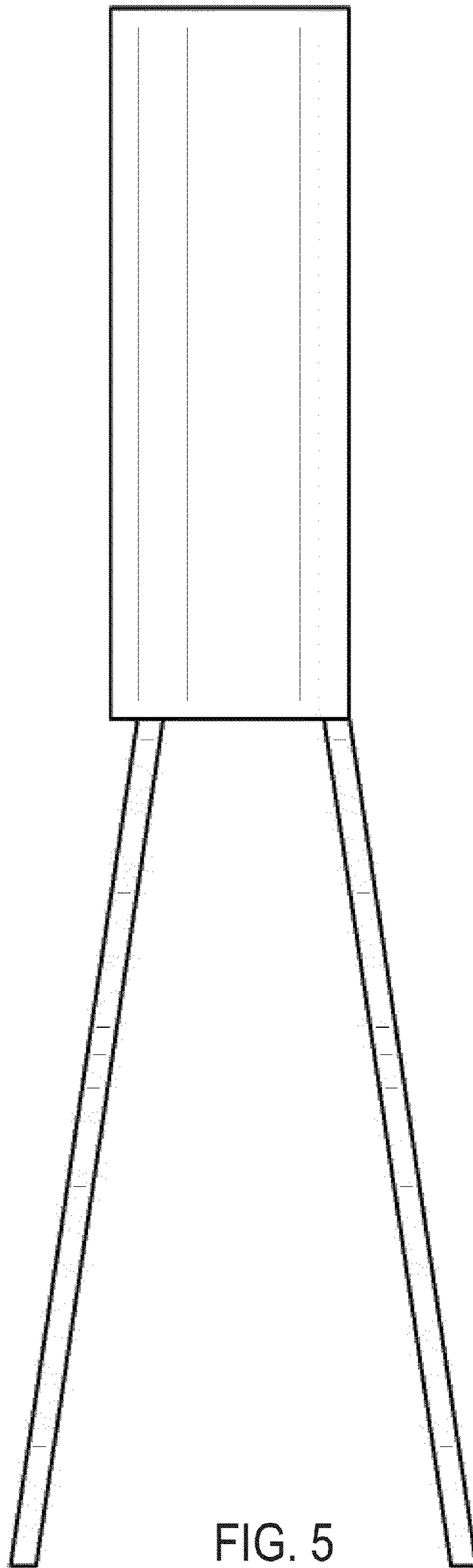


FIG. 5

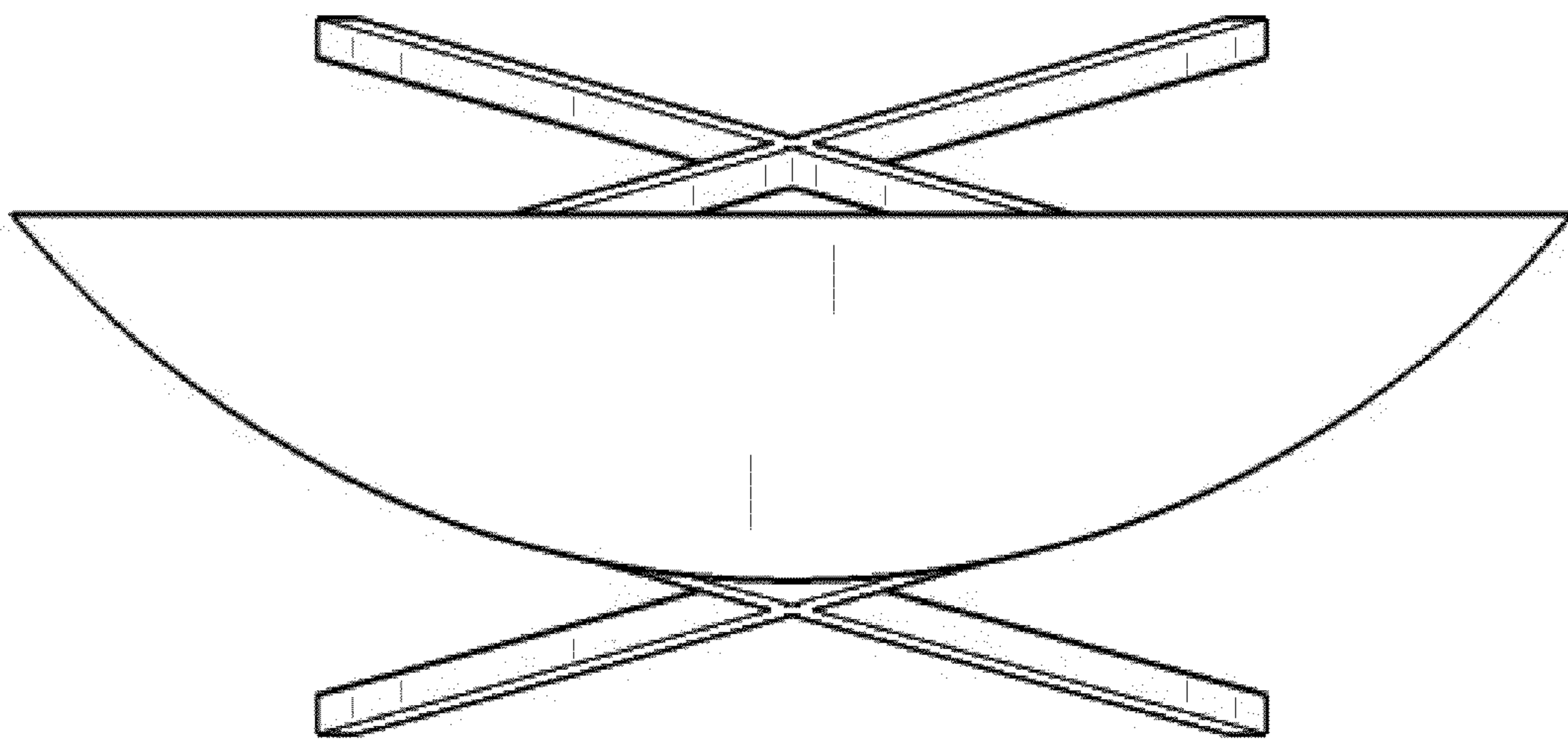


FIG. 6

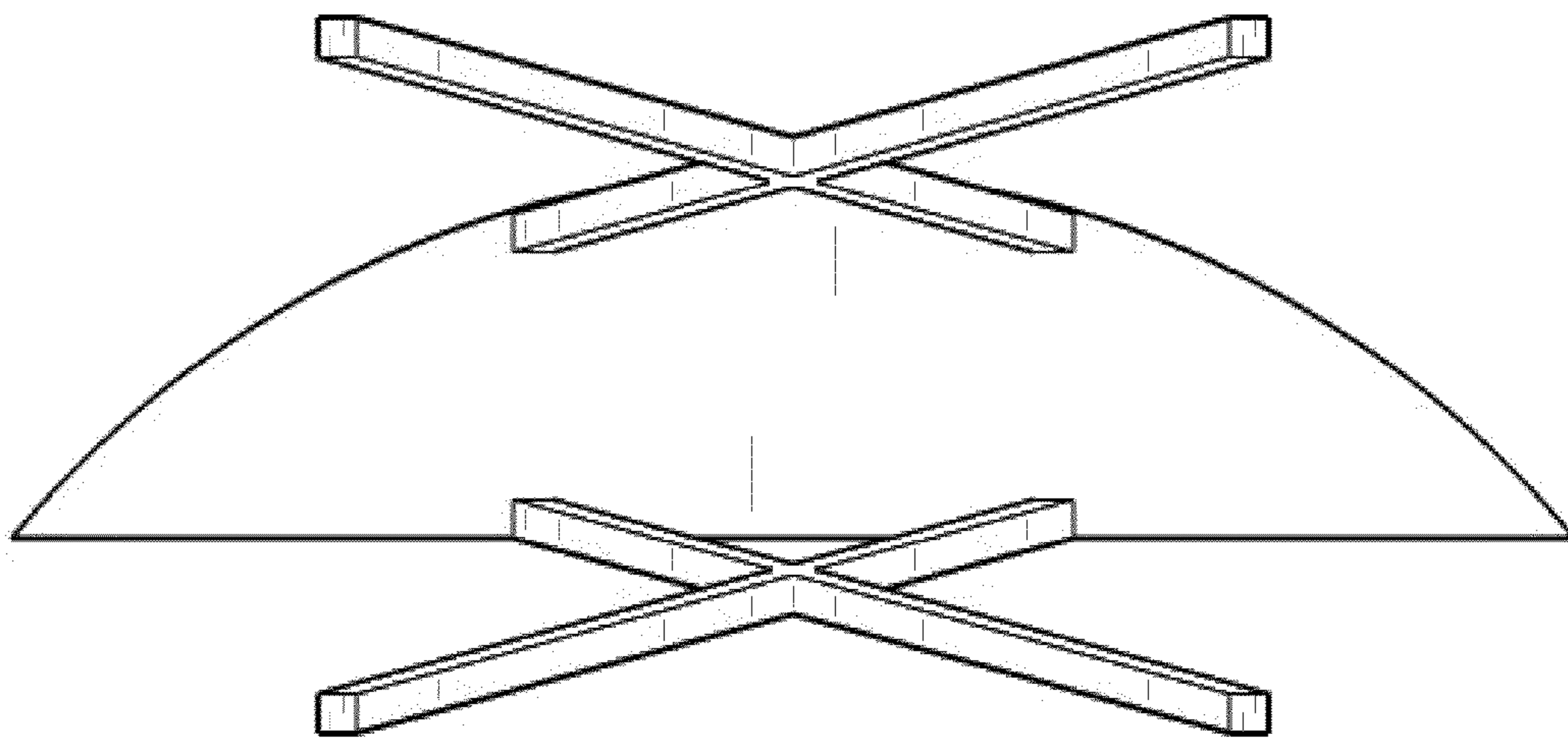


FIG. 7