



US00D760227S

(12) **United States Design Patent**  
**Warren et al.**

(10) **Patent No.:** **US D760,227 S**  
(45) **Date of Patent:** **\*\* Jun. 28, 2016**

(54) **LAPBOARD**

D392,956 S \* 3/1998 Gillis ..... D14/457  
D470,493 S \* 2/2003 Tritschler ..... D14/393

(71) Applicant: **Razer (Asia-Pacific) Pte. Ltd.**,  
Singapore (SG)

(Continued)

(72) Inventors: **Brandon A. Warren**, San Francisco, CA  
(US); **Stephane J. Blanchard**, San  
Francisco, CA (US)

*Primary Examiner* — Freda S Nunn

(74) *Attorney, Agent, or Firm* — Polsinelli PC

(73) Assignee: **RAZER (ASIA-PACIFIC) PTE. LTD.**,  
Singapore (SG)

(57) **CLAIM**

We claim the ornamental design for a lapboard, as shown and  
described.

(\*\*) Term: **15 Years**

**DESCRIPTION**

(21) Appl. No.: **29/530,973**

FIG. 1 is a perspective view of a first configuration of a  
lapboard, showing my new design;

(22) Filed: **Jun. 22, 2015**

FIG. 2 is a top plan view of the first configuration thereof;

(51) **LOC (10) Cl.** ..... **14-02**

FIG. 3 is a bottom plan view of the first configuration thereof;  
FIG. 4 is a left side elevational view of the first configuration  
thereof;

(52) **U.S. Cl.**

USPC ..... **D14/392**

FIG. 5 is a right side elevational view of the first configuration  
thereof;

(58) **Field of Classification Search**

USPC ..... D14/138, 247, 341–346, 391–399,

D14/455–457, 447; D18/1, 2, 7, 11,

D18/4.1–4.6, 24–28; 178/17 A, 17 C;

200/5 A, 5 R, 6 A, 6 R, 341; 235/145 A,

235/145 R; 341/22, 23

CPC ..... H03M 11/00; H01H 13/14; H01H 13/84;

B41J 5/00; B41J 5/12; B41J 5/10; H03K

17/94; G06F 1/1626; G06F 1/1632; G06F

1/1616; G06F 3/0221; A47B 23/043; A47B

23/001; A47B 2023/049; A47B 97/08; A47B

23/002; A47B 23/00; A47B 83/02; A47C

7/70; B44D 3/02

See application file for complete search history.

FIG. 6 is a front elevational view of the first configuration  
thereof;

FIG. 7 is a rear elevational view of the first configuration  
thereof;

FIG. 8 is a perspective view of a second configuration of the  
lapboard;

FIG. 9 is a top plan view of the second configuration thereof;

FIG. 10 is a bottom plan view of the second configuration  
thereof;

FIG. 11 is a left side elevational view of the second configura-  
tion thereof;

FIG. 12 is a right side elevational view of the second configura-  
tion thereof;

FIG. 13 is a front elevational view of the second configuration  
thereof; and,

FIG. 14 is a rear elevational view of the second configuration  
thereof.

Broken lines are for illustrating unclaimed portions of the  
lapboard; the broken lines form no part of the claimed design.

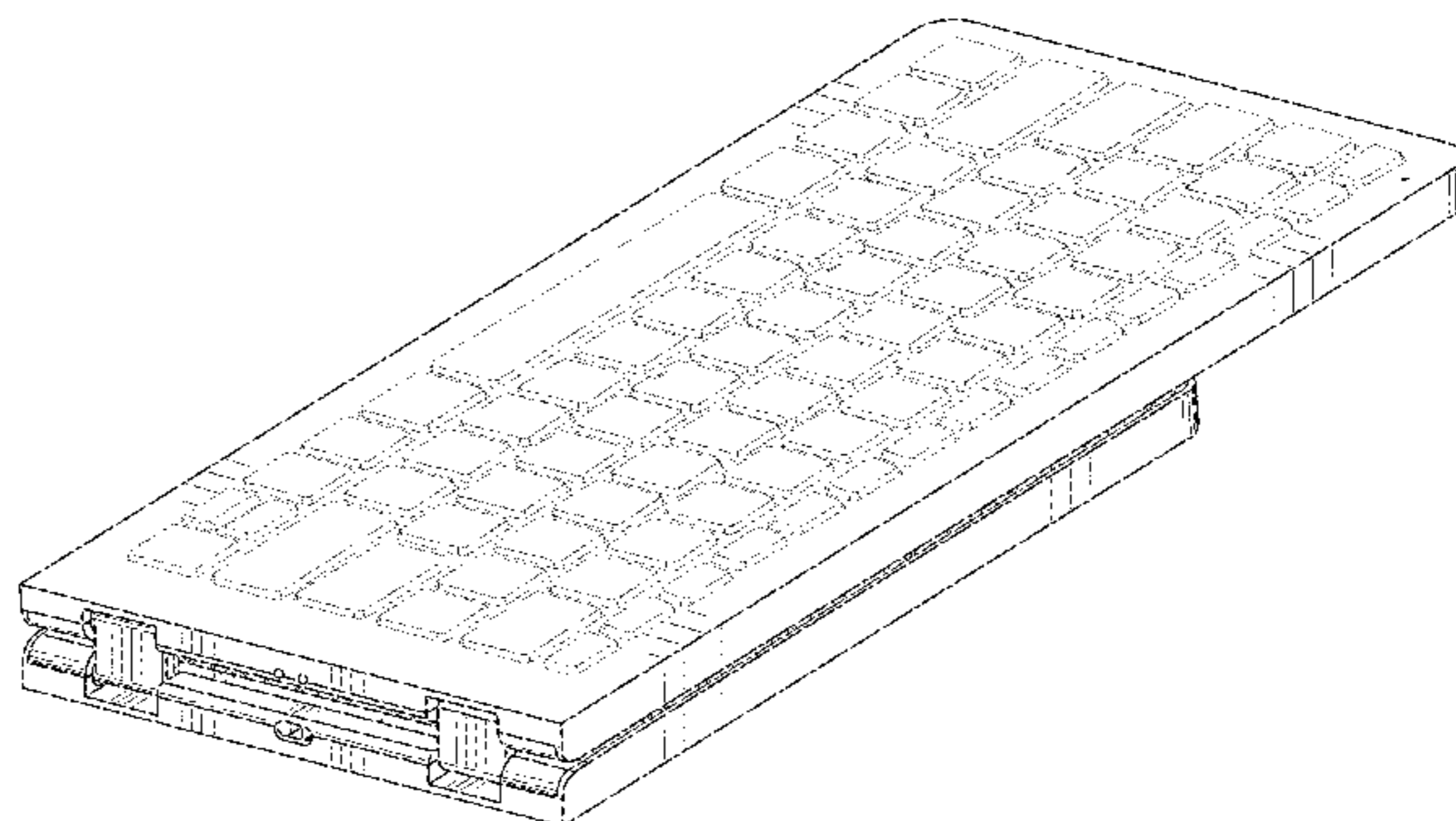
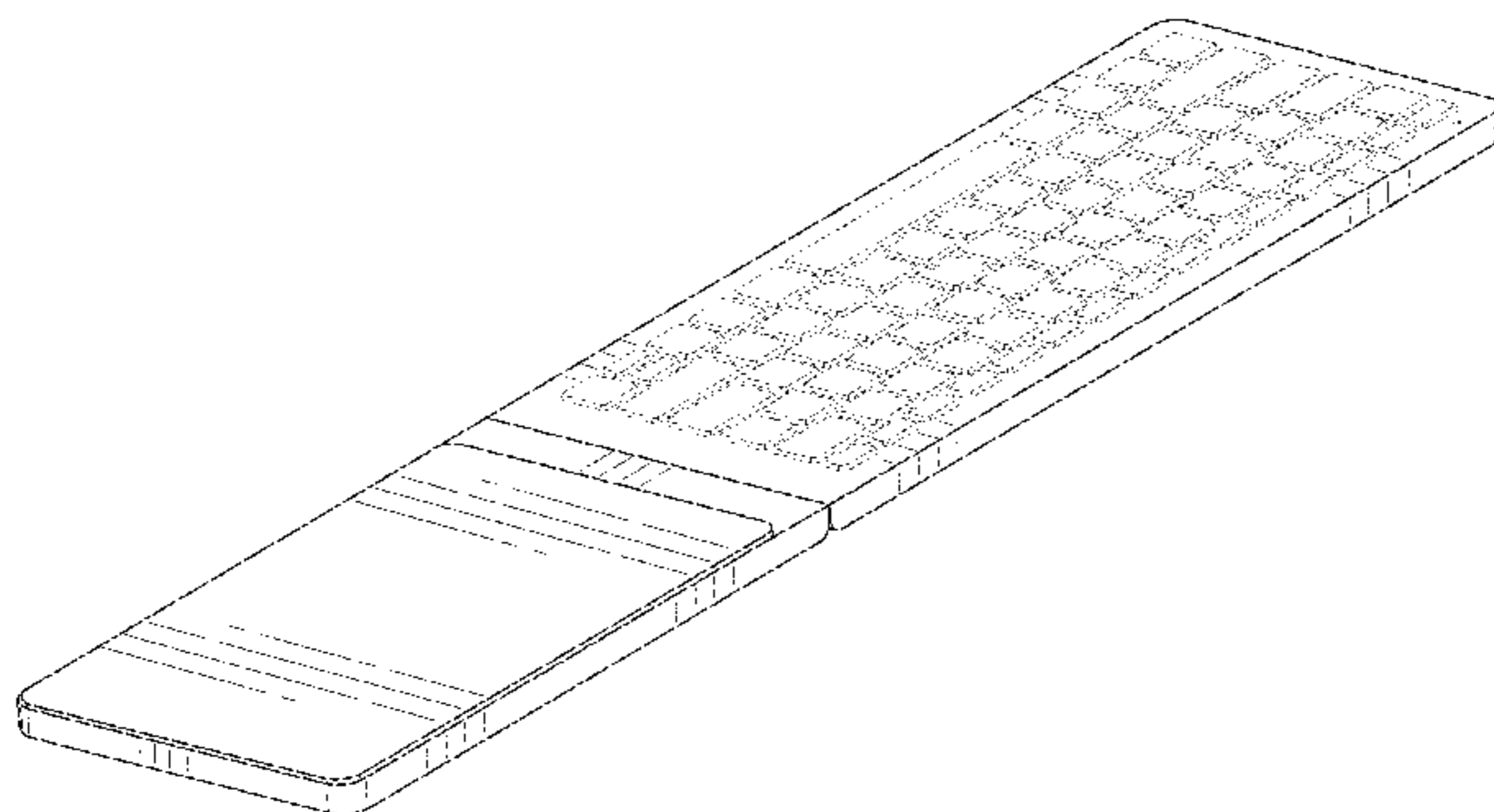
(56) **References Cited**

**U.S. PATENT DOCUMENTS**

696,044 A \* 3/1902 Hoffman ..... A47B 23/002  
108/43

5,348,263 A \* 9/1994 Hubbard ..... A47B 23/002  
248/444

**1 Claim, 14 Drawing Sheets**



# US D760,227 S

Page 2

---

(56)

## References Cited

U.S. PATENT DOCUMENTS  
6,527,243 B1 \* 3/2003 Kume, Jr. .... A47B 23/002  
108/168  
6,773,179 B2 \* 8/2004 Huang ..... G06F 3/0221  
400/472  
7,052,195 B2 \* 5/2006 Hsu ..... B41J 5/10  
400/472

D630,452 S \* 1/2011 Robbins ..... D14/457  
D675,206 S \* 1/2013 Roysden ..... D14/396  
8,794,854 B2 \* 8/2014 Lan ..... G06F 3/0221  
341/22  
2006/0146488 A1 \* 7/2006 Kimmel ..... G06F 1/1616  
361/679.04

\* cited by examiner

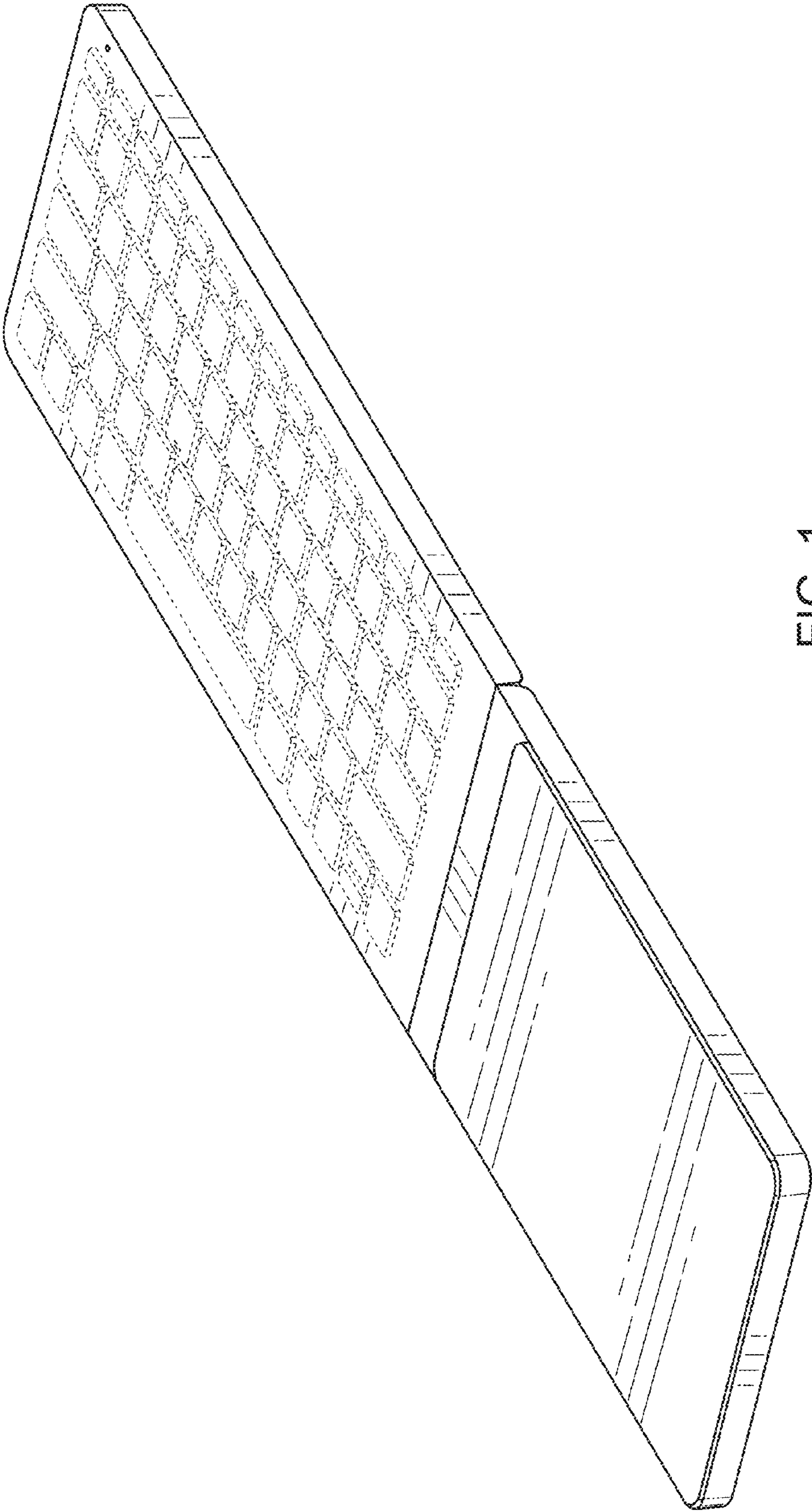


FIG. 1

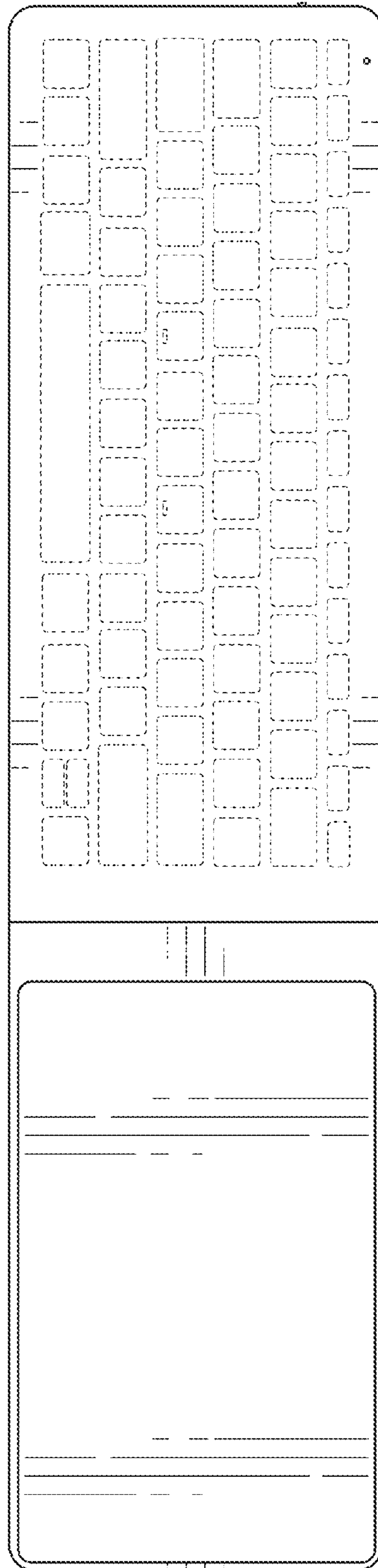


FIG. 2

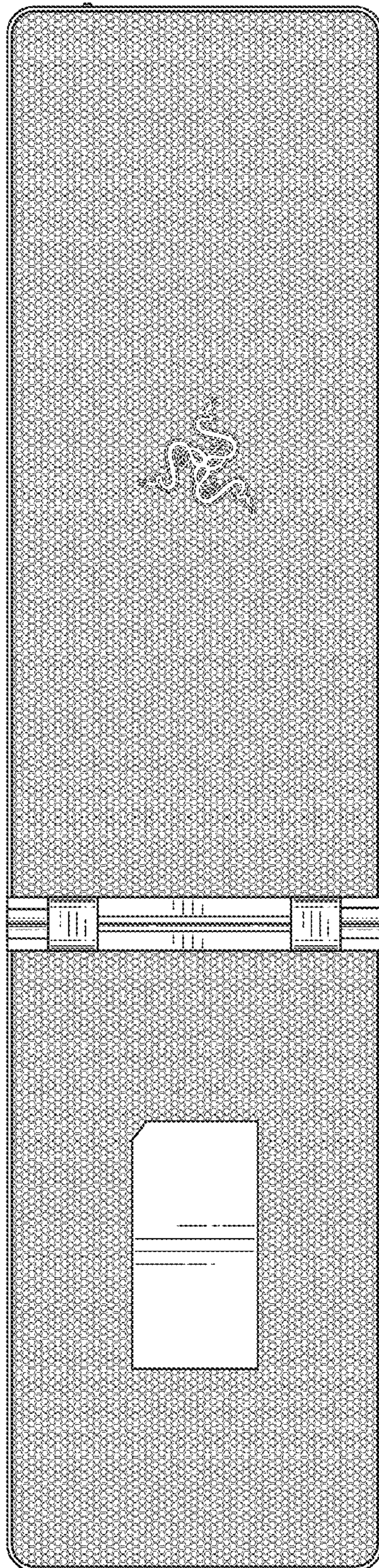


FIG. 3



FIG. 4



FIG. 5



FIG. 6





FIG. 7

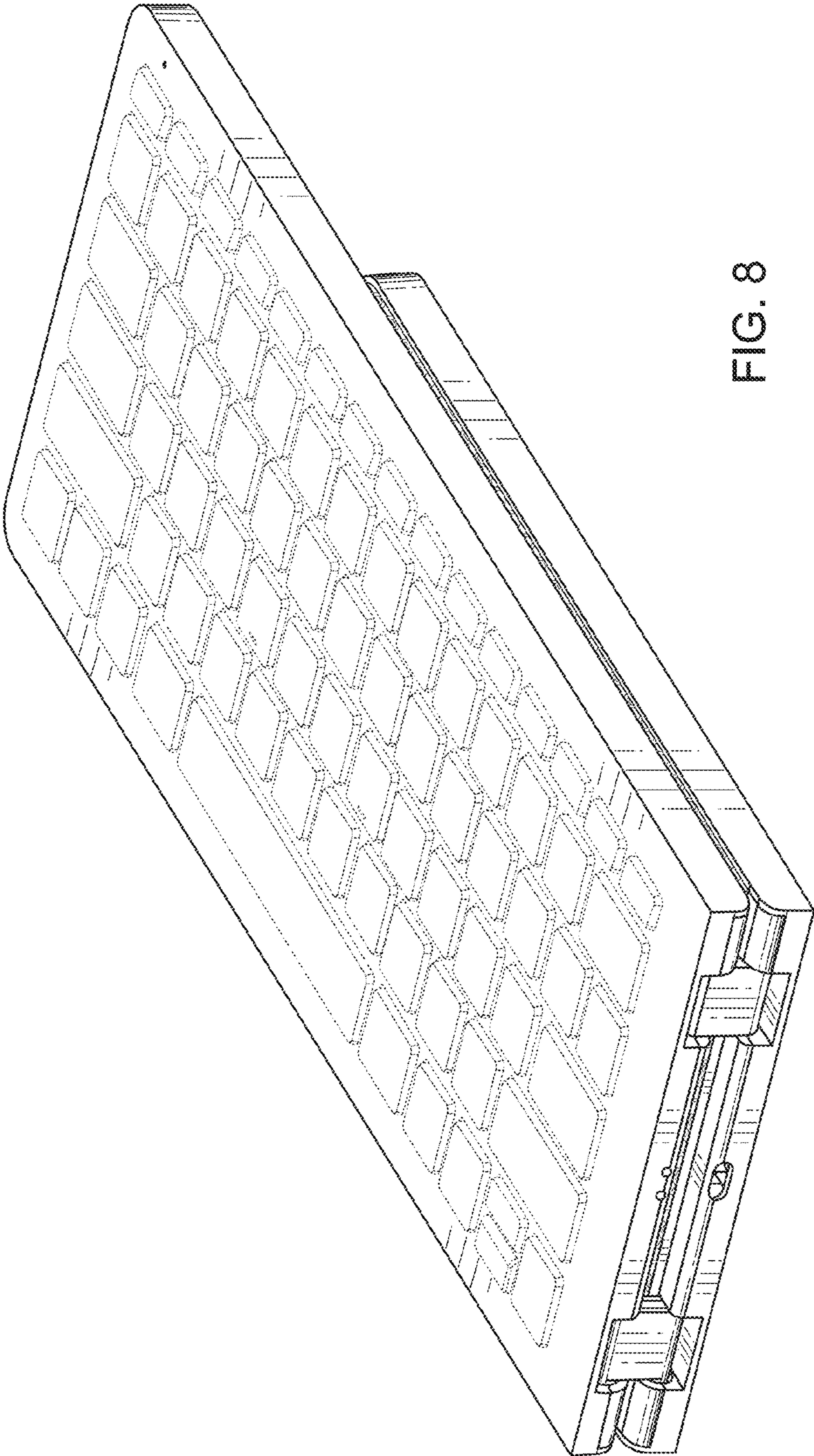


FIG. 8

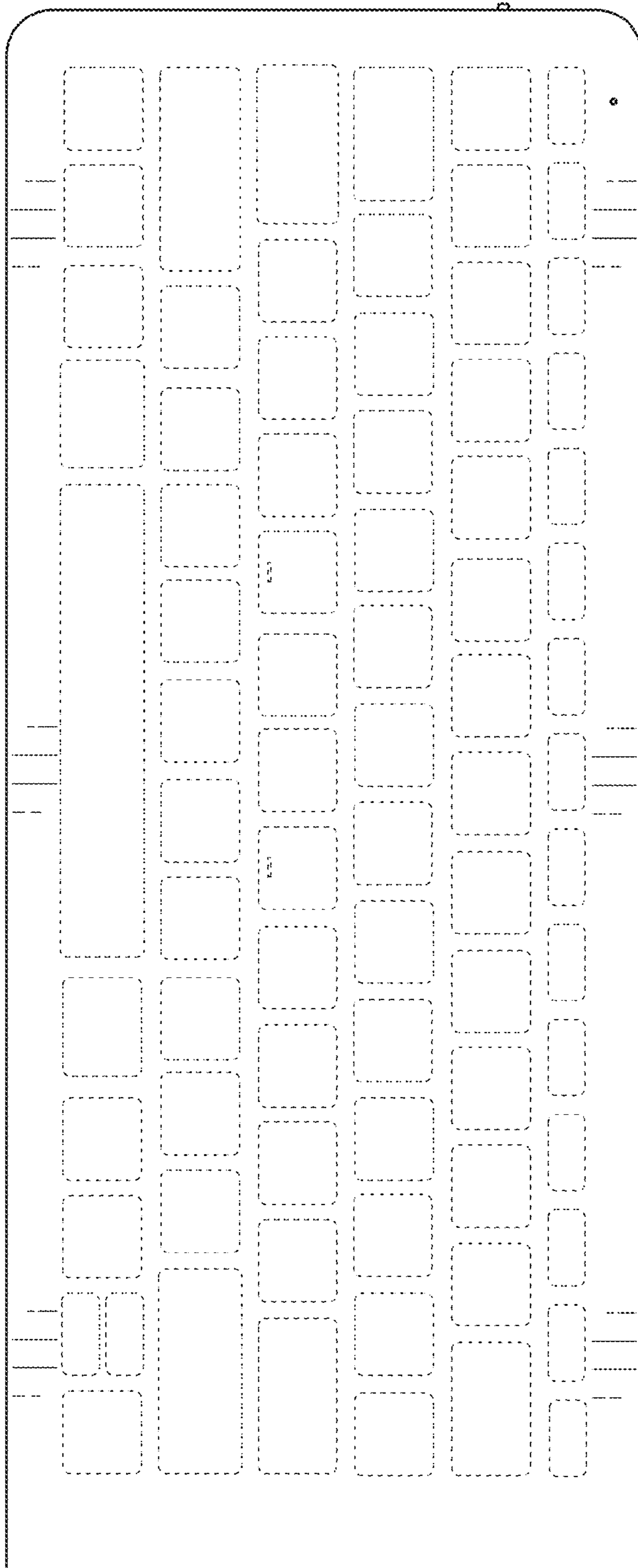


FIG. 9

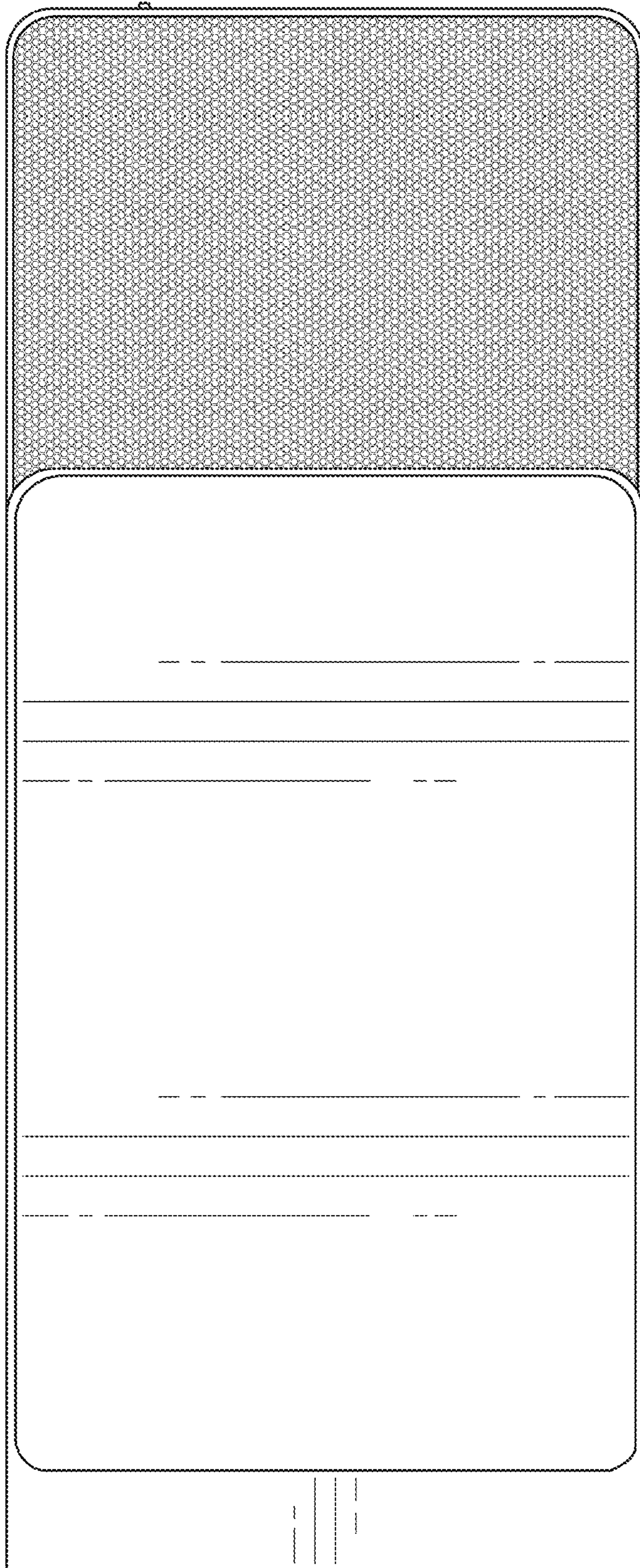


FIG. 10

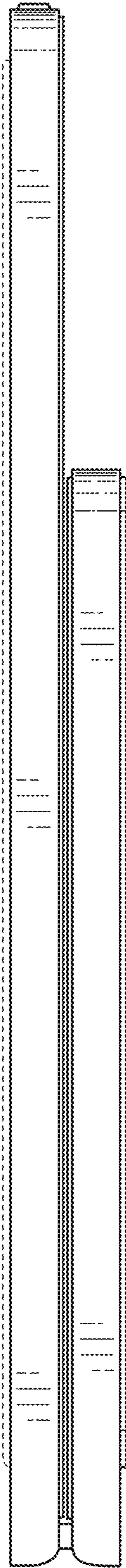


FIG. 11

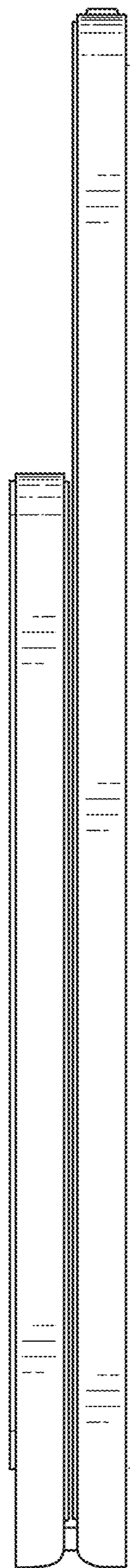


FIG. 12

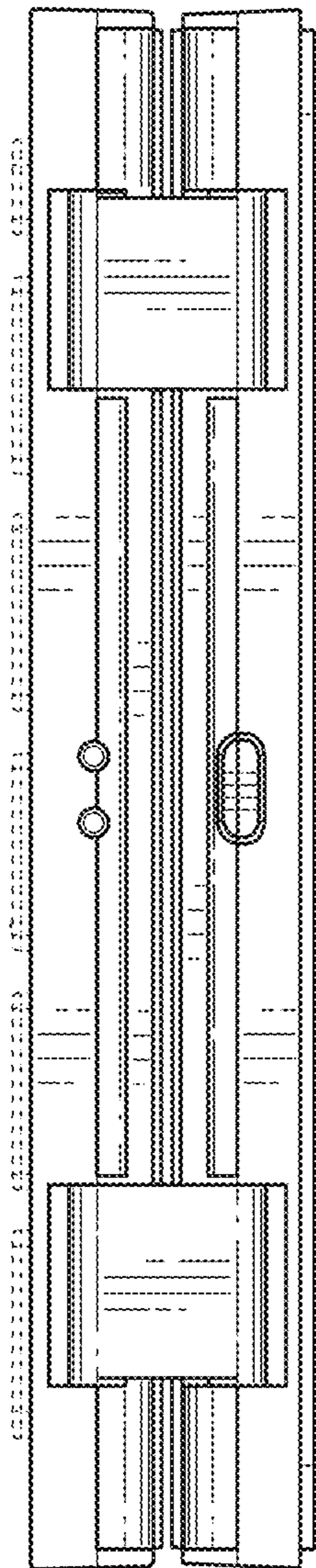


FIG. 13

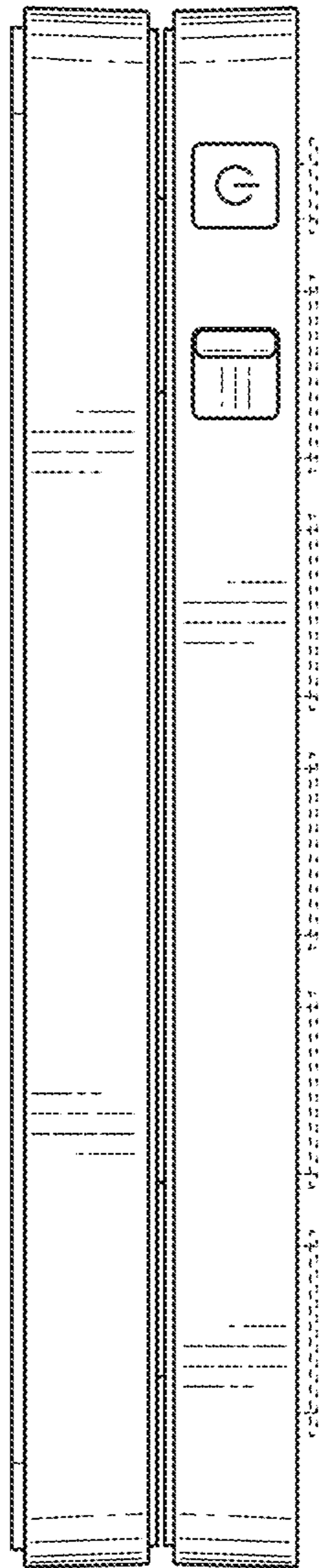


FIG. 14