

US00D760226S

(12) **United States Design Patent**
Bailey et al.

(10) **Patent No.:** **US D760,226 S**
(45) **Date of Patent:** **** Jun. 28, 2016**

(54) **KEYBOARD**

(71) Applicant: **Microsoft Corporation**, Redmond, WA (US)

(72) Inventors: **Katherine Bailey**, Seattle, WA (US);
Hua Wang, Sammamish, WA (US);
Kaitlyn Schoeck, Seattle, WA (US)

(73) Assignee: **Microsoft Corporation**, Redmond, WA (US)

(**) Term: **15 Years**

(21) Appl. No.: **29/529,574**

(22) Filed: **Jun. 9, 2015**

(51) **LOC (10) Cl.** **14-02**

(52) **U.S. Cl.**
USPC **D14/392**

(58) **Field of Classification Search**
USPC D14/391-399, 455, 456; D18/1, 2, 7,
D18/11; 235/145 A, 145 R; 341/22, 23;
345/104, 156, 168, 169, 173;
361/679.08, 679.09, 679.11, 679.26,
361/679.27
CPC G06F 1/16; G06F 1/1616; G06F 1/1626;
G06F 1/1632; G06F 1/1613; G06F 1/1601;
G06F 1/1618; G06F 1/162; G06F 3/0202;
H01R 35/02; H03M 11/00; G09B 13/04;
H03K 17/94; G09G 5/00; F16M 11/10;
H01H 3/125; H01H 13/705; B41J 5/08

See application file for complete search history.

(56) **References Cited**

U.S. PATENT DOCUMENTS

6,215,420 B1 * 4/2001 Harrison G06F 3/0202
200/302.1
D653,665 S * 2/2012 Maruyama D14/392
D671,120 S * 11/2012 Kim D14/392
D676,048 S * 2/2013 McManigal D14/392
D696,667 S * 12/2013 Helwig D14/392
D728,569 S * 5/2015 Lee D14/392

* cited by examiner

Primary Examiner — Freda S Nunn

(74) *Attorney, Agent, or Firm* — Banner & Witcoff, Ltd.

(57) **CLAIM**

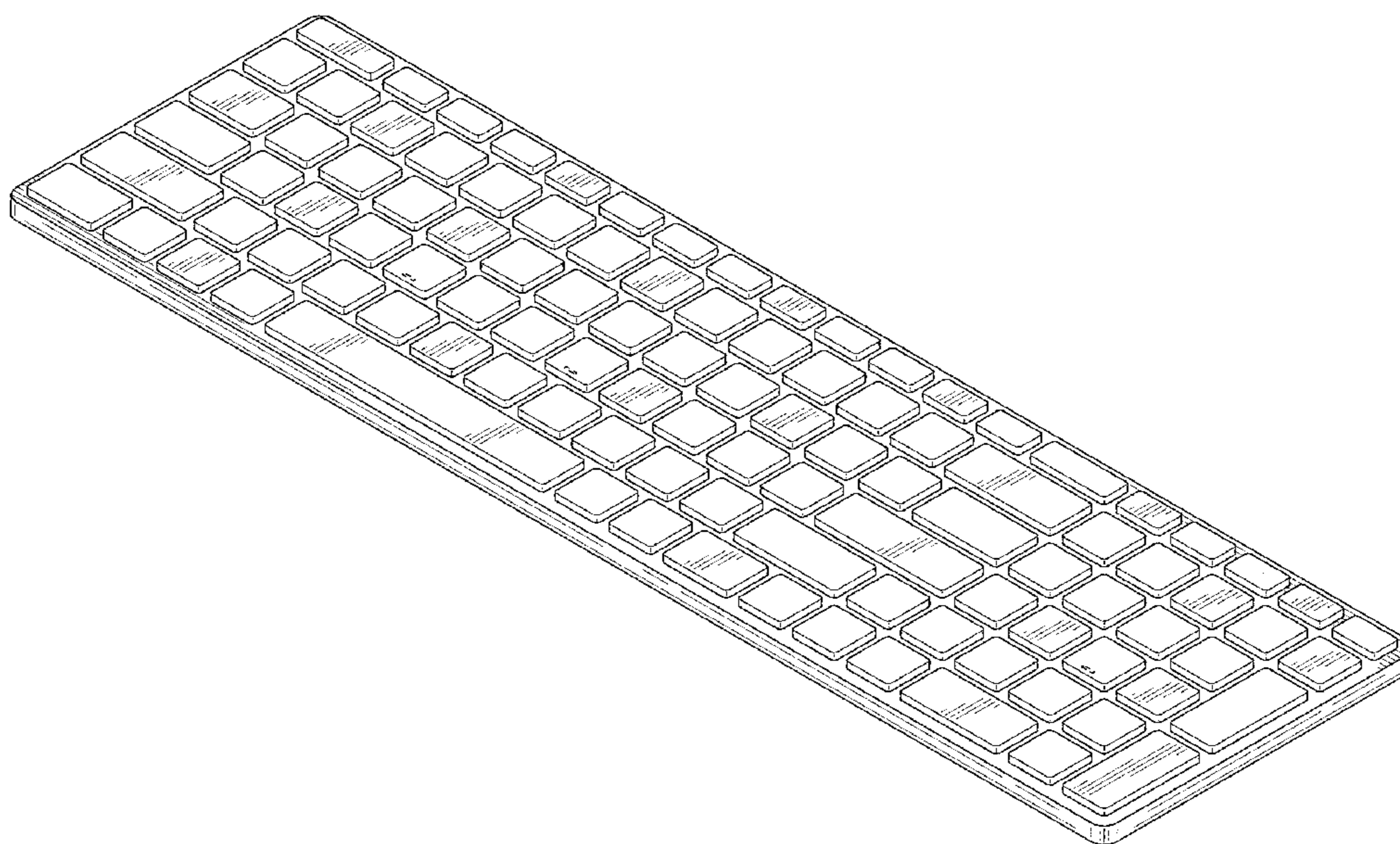
The ornamental design for keyboard, as shown and described.

DESCRIPTION

FIG. 1 is a perspective view of a keyboard showing our new design;
FIG. 2 is a top view thereof;
FIG. 3 is a bottom view thereof;
FIG. 4 is a front view thereof;
FIG. 5 is a rear view thereof;
FIG. 6 is a right side view thereof; and,
FIG. 7 is a left side view thereof.

The broken line showing of various features of the keyboard in FIGS. 1-2 and FIGS. 4-7 is for environmental purposes only and forms no part of the claimed design.

1 Claim, 4 Drawing Sheets



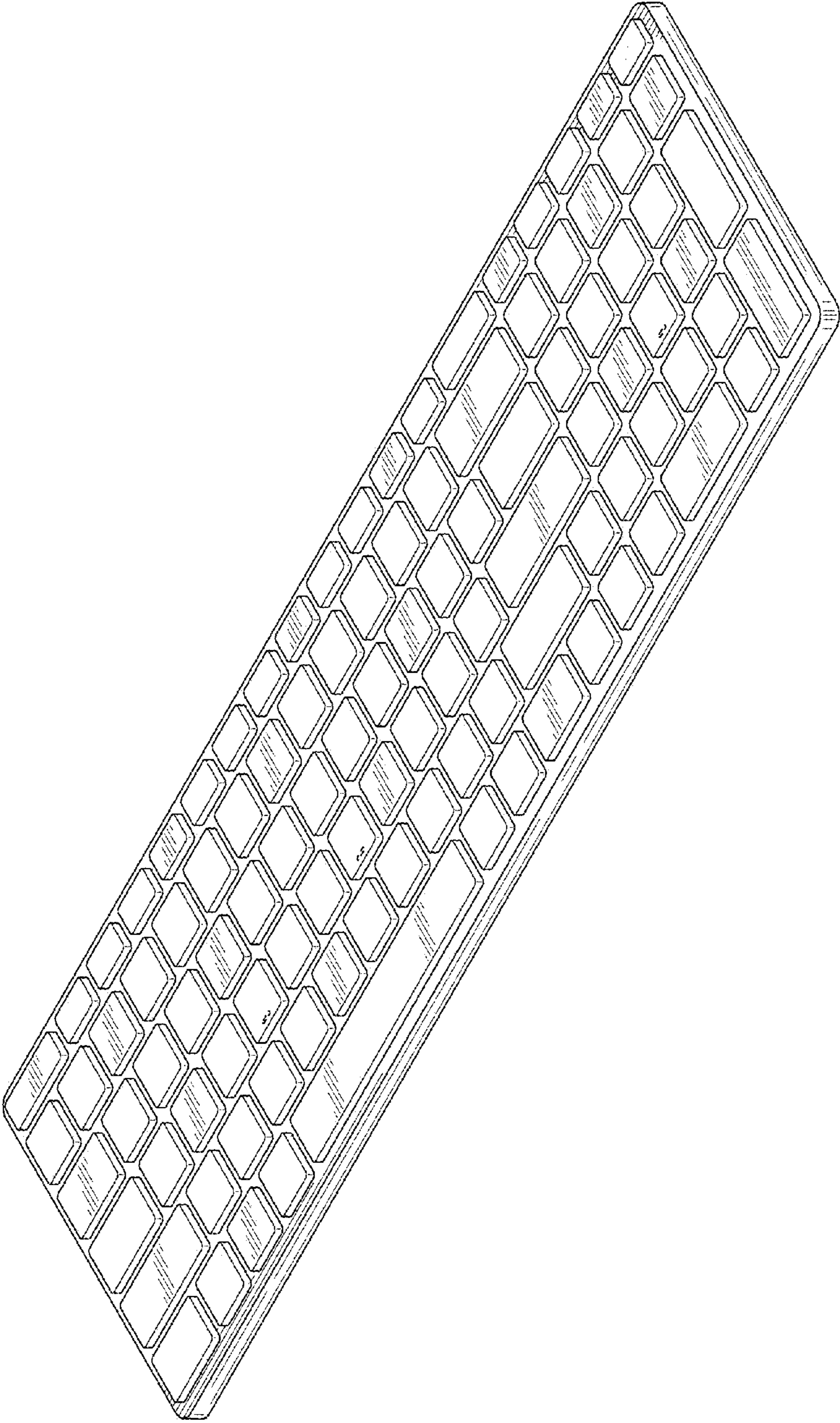


FIG. 1

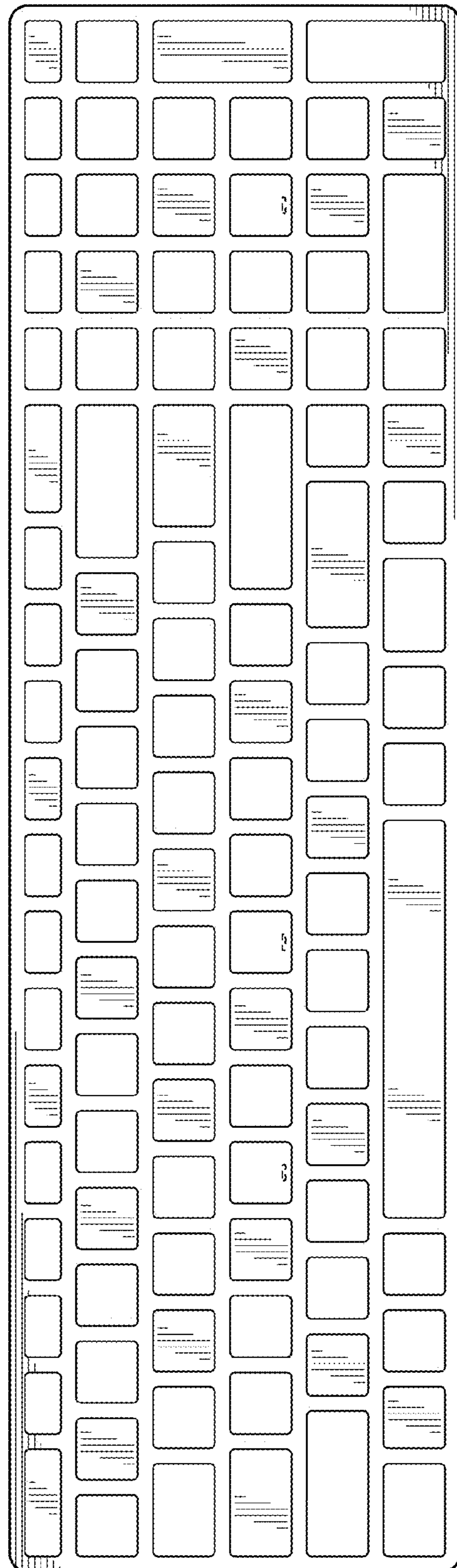


FIG. 2

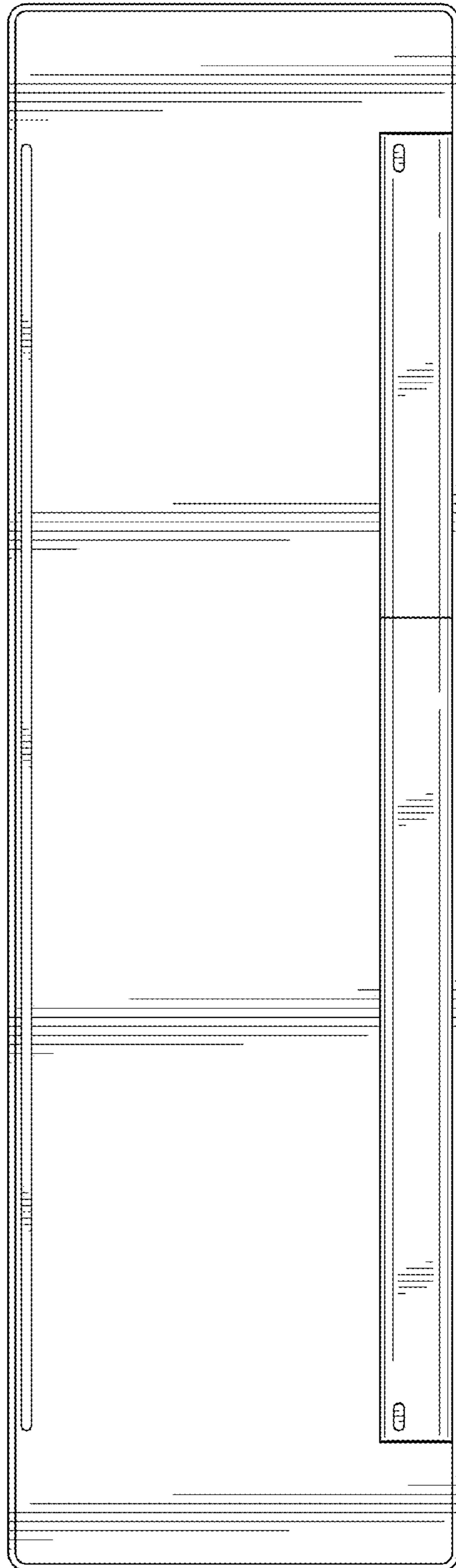


FIG. 3

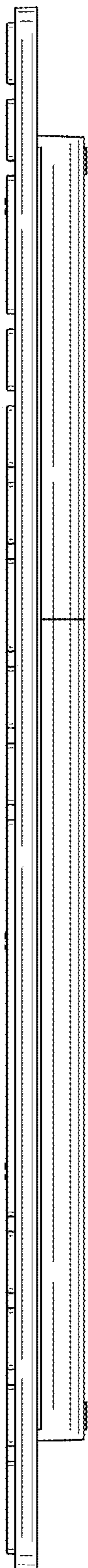


FIG. 4

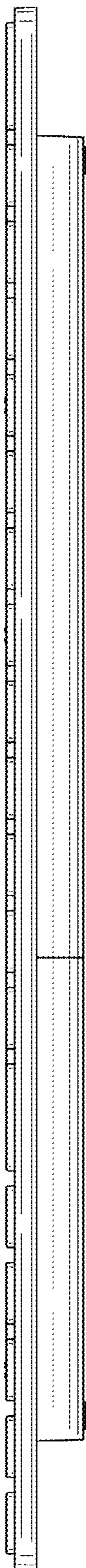


FIG. 5

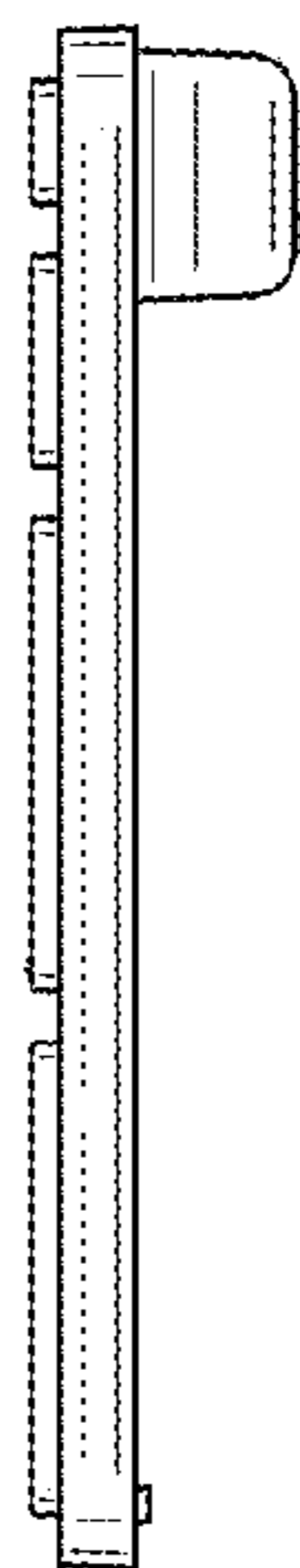


FIG. 6

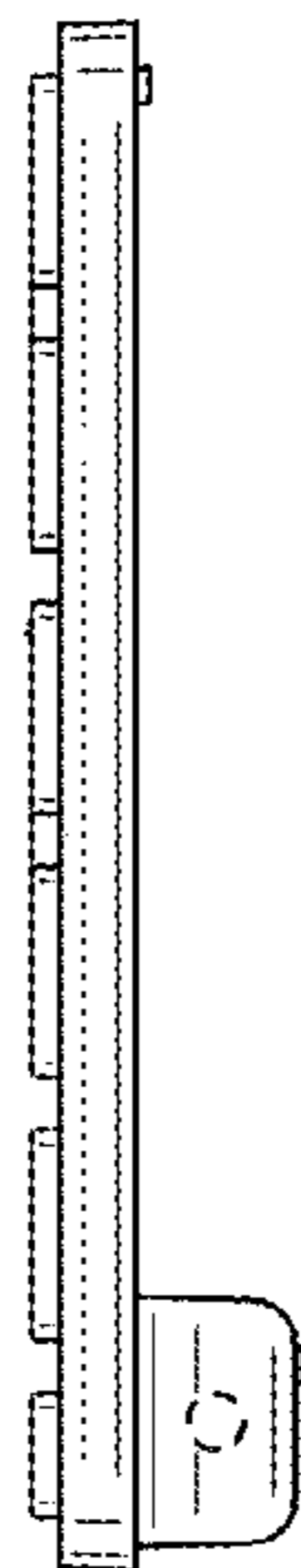


FIG. 7