



US00D760224S

(12) **United States Design Patent**  
**Lee et al.**

(10) **Patent No.:** **US D760,224 S**  
(45) **Date of Patent:** **\*\* Jun. 28, 2016**

(54) **MONITOR FOR COMPUTER**

(56) **References Cited**

(71) Applicant: **Samsung Electronics Co., Ltd.**,  
Suwon-si (KR)  
(72) Inventors: **Yongjoo Lee**, Seoul (KR); **Tae Yeon Won**, Seoul (KR)  
(73) Assignee: **SAMSUNG ELECTRONICS CO., LTD.**, Suwon-Si, Gyeonggi-Do (KR)

U.S. PATENT DOCUMENTS

D648,336 S \* 11/2011 Yagi ..... D14/374  
D665,801 S \* 8/2012 Liu ..... D14/374  
D704,156 S \* 5/2014 Lee ..... D14/126  
D705,225 S \* 5/2014 Huh ..... D14/374  
2006/0237599 A1\* 10/2006 Ternus ..... F16M 11/10  
248/176.1

(\*\*) Term: **14 Years**  
(21) Appl. No.: **29/519,309**  
(22) Filed: **Mar. 4, 2015**

\* cited by examiner

*Primary Examiner* — Freda S Nunn  
(74) *Attorney, Agent, or Firm* — Ladas & Parry LLP

(30) **Foreign Application Priority Data**

(57) **CLAIM**

We claim the ornamental design for monitor for computer, as shown and described.

Sep. 4, 2014 (KR) ..... 30-2014-0043493

**DESCRIPTION**

(51) **LOC (10) Cl.** ..... **14-02**  
(52) **U.S. Cl.**  
USPC ..... **D14/371**

FIG. 1 is the front perspective view of monitor for computer showing our new design;  
FIG. 2 is the front view thereof;  
FIG. 3 is the rear view thereof;  
FIG. 4 is the left-side view thereof;  
FIG. 5 is the right-side view thereof;  
FIG. 6 is the top plan view thereof;  
FIG. 7 is the bottom plan view thereof; and,  
FIG. 8 is the rear perspective view thereof.  
The broken lines in the drawing show unclaimed environment only and form no part of the claimed design.

(58) **Field of Classification Search**  
USPC ..... D14/371-375, 125-129, 336, 337, 341;  
341/12; 345/104, 156, 168, 173;  
348/180, 184, 325, 739; 349/1, 2, 11,  
349/62; 361/679.05-679.07, 679.21;  
D6/300, 308  
CPC ..... G06F 1/16; G06F 1/1601; G06F 3/3037;  
G06F 1/162; F16M 11/02; F16M 11/10;  
F16M 11/00

See application file for complete search history.

**1 Claim, 8 Drawing Sheets**

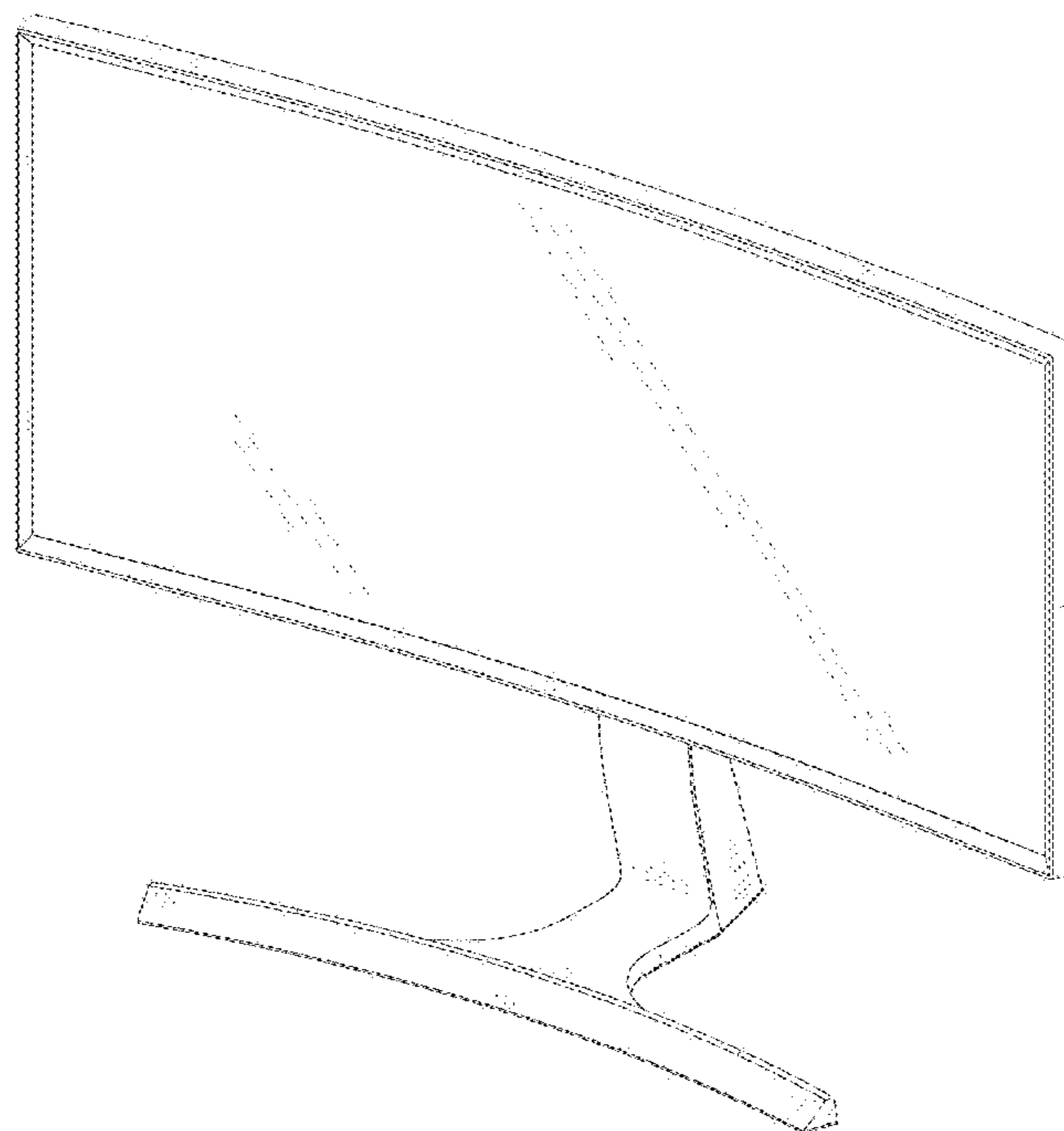


Fig. 1

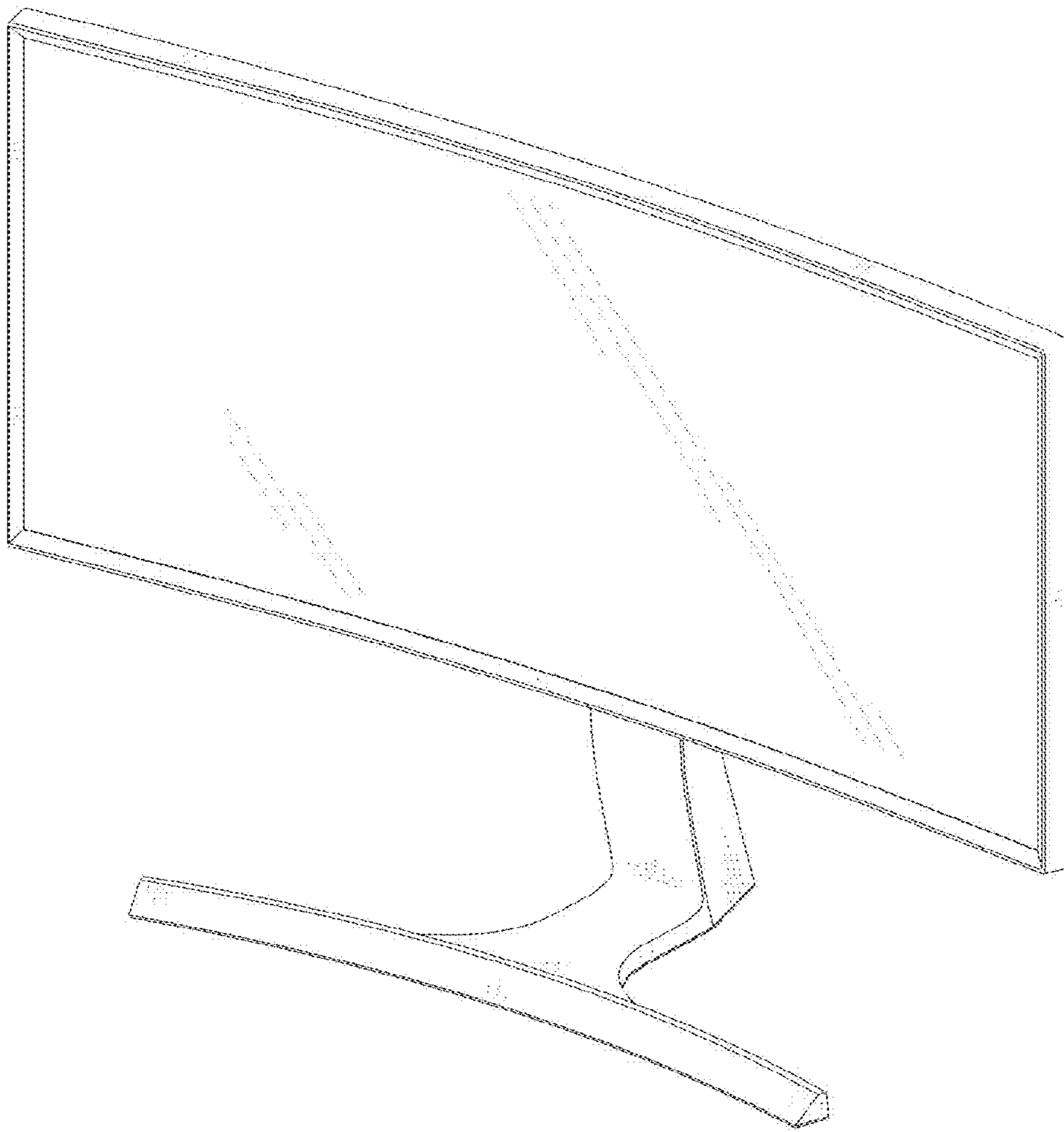


Fig. 2

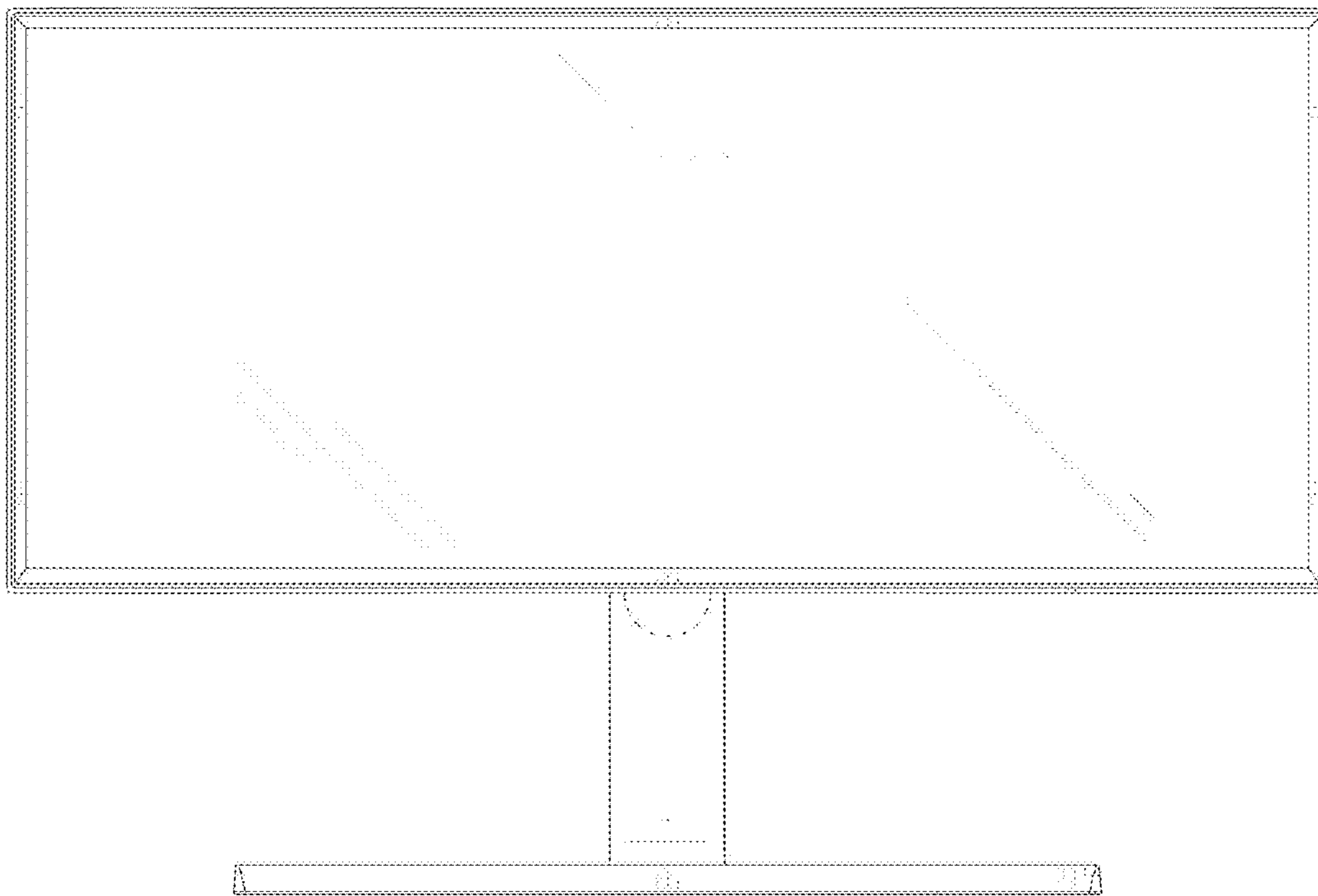


Fig. 3

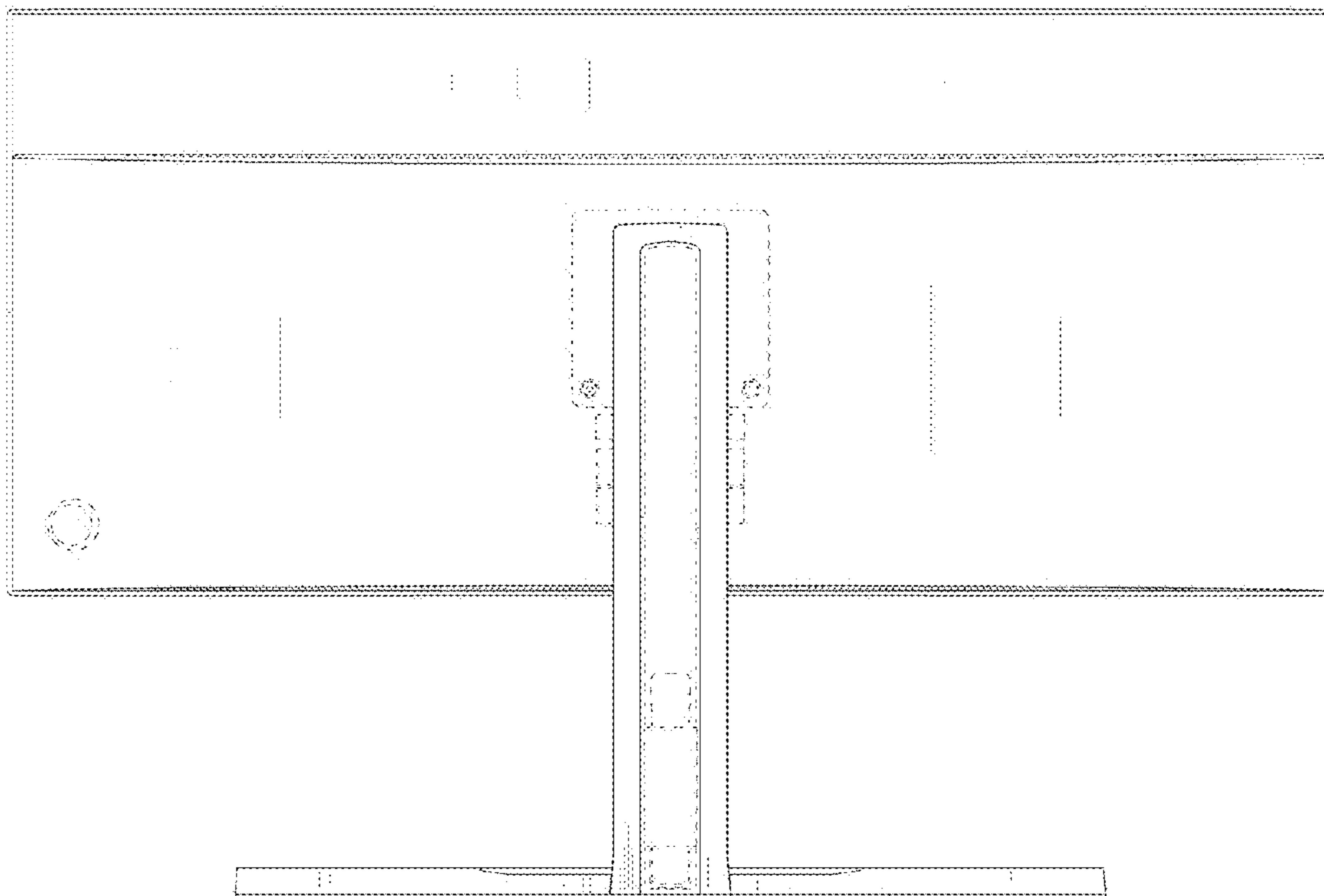


Fig. 4

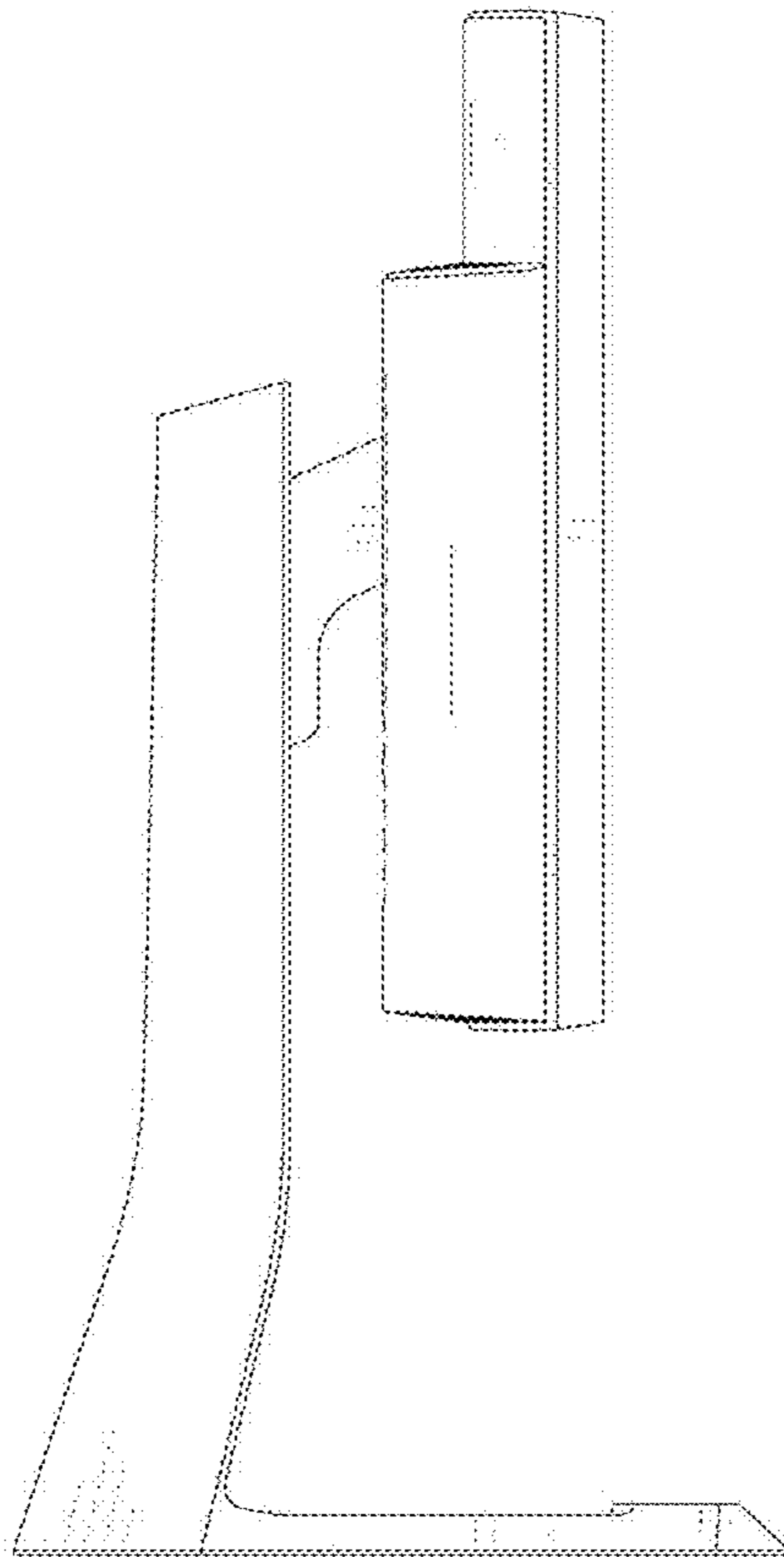


Fig. 5

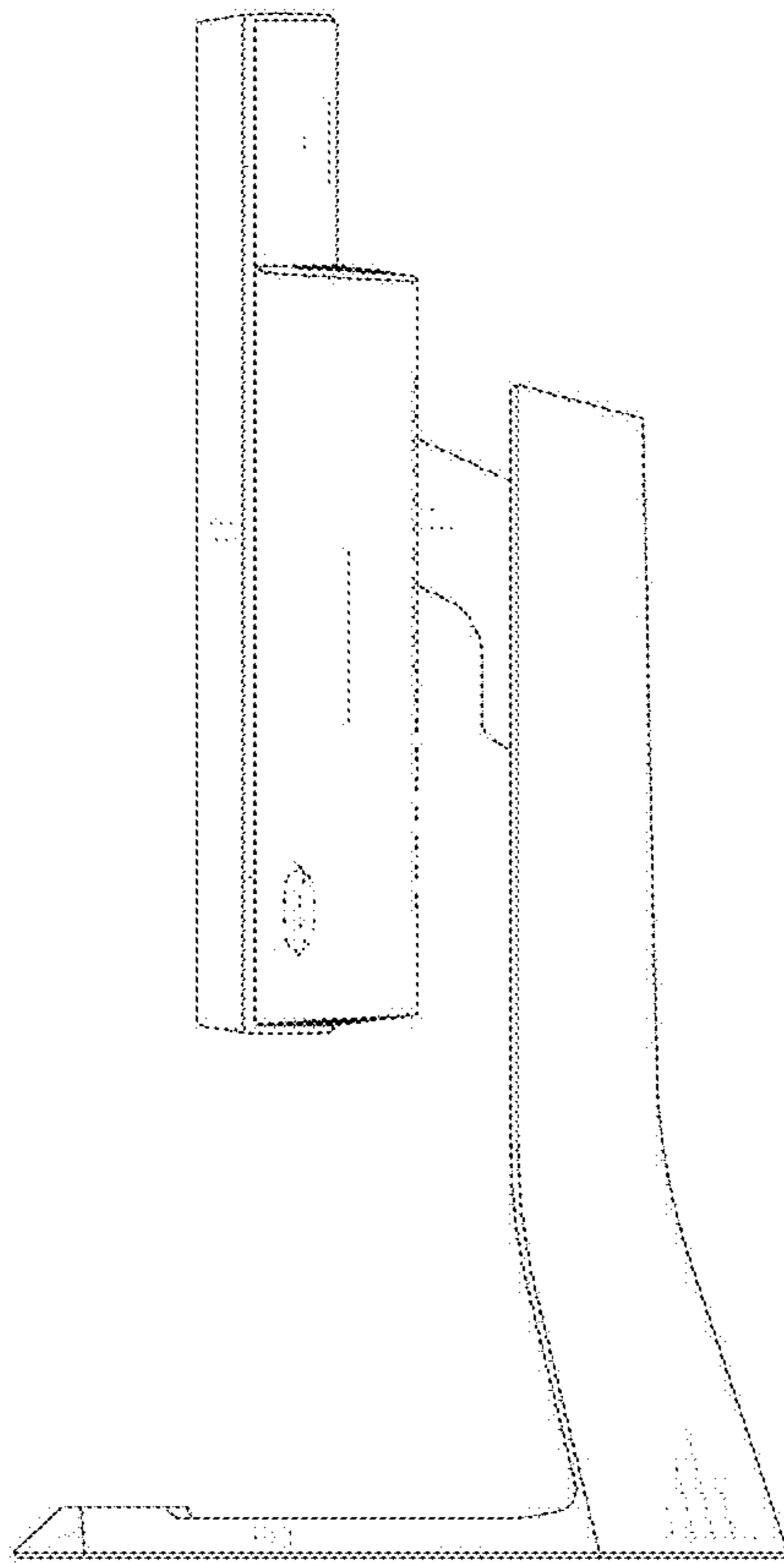


Fig. 6

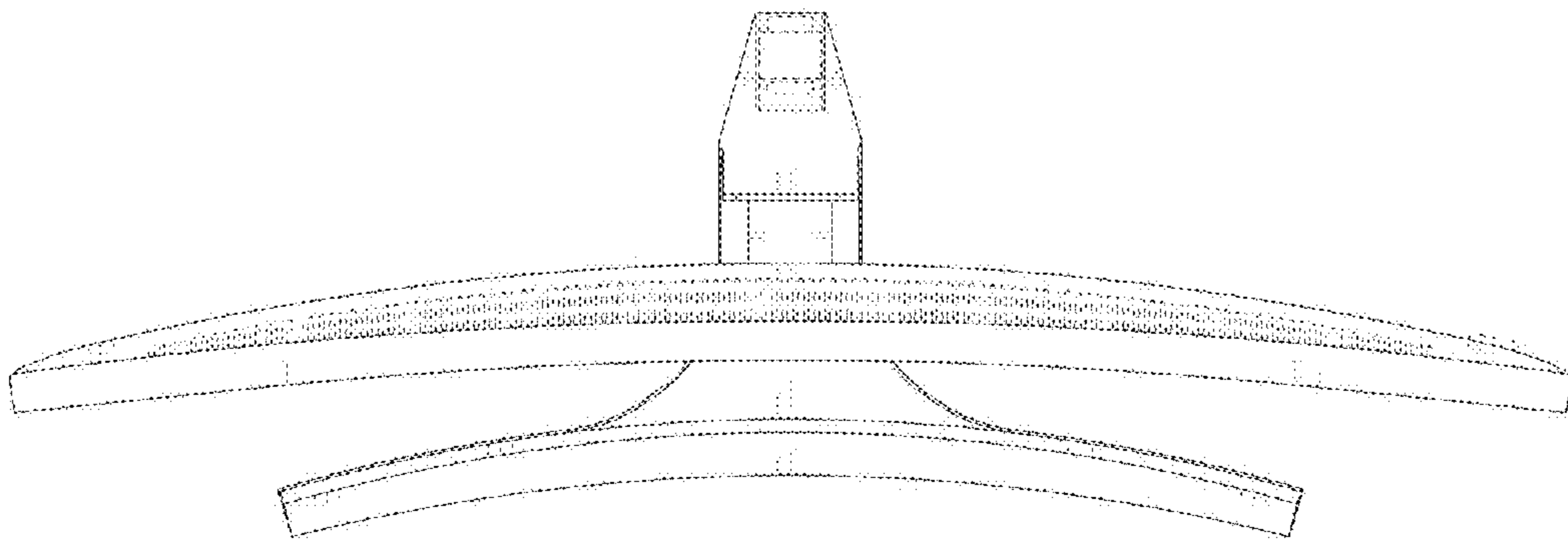


Fig. 7

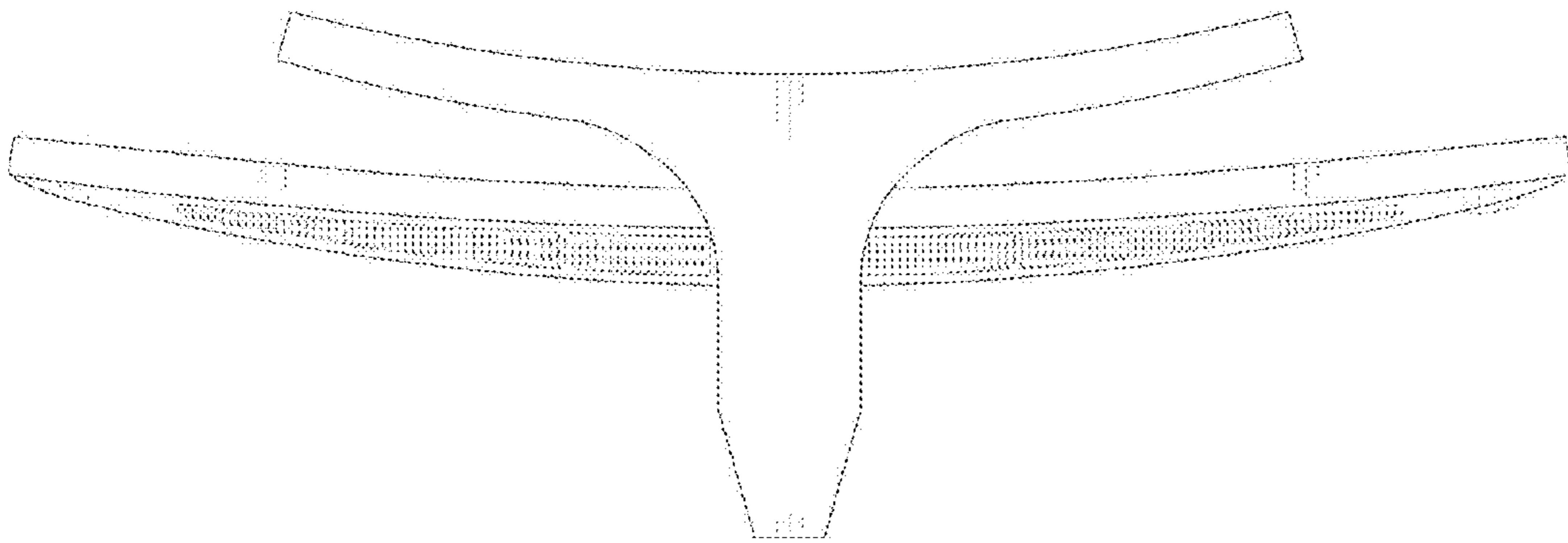




Fig. 8

