

US00D760220S

(12) **United States Design Patent**
Aumiller et al.

(10) **Patent No.:** **US D760,220 S**
(45) **Date of Patent:** **** Jun. 28, 2016**

- (54) **ELECTRONIC DEVICE**
- (71) Applicant: **SAMSUNG ELECTRONICS CO., LTD.**, Suwon-si (KR)
- (72) Inventors: **Curtis Aumiller**, San Jose, CA (US);
Pranav Mistry, Cupertino, CA (US);
Chengyuan Wei, Dalian (CN)
- (73) Assignee: **SAMSUNG ELECTRONICS CO., LTD.**, Suwon-si (KR)

D356,960 S	4/1995	Courteault	
D362,396 S *	9/1995	Chester	D10/128
D433,949 S	11/2000	Helleu	
D521,394 S *	5/2006	Tang	D10/30
D543,122 S	5/2007	Lafever et al.	
D604,643 S *	11/2009	Ahlstrom	D10/31
D621,399 S *	8/2010	Ahlstrom	D14/344
D710,845 S *	8/2014	Aumiller	D14/344
D711,872 S *	8/2014	Aumiller	D14/344
D711,873 S *	8/2014	Aumiller	D14/344
D714,288 S *	9/2014	Aumiller	D14/344
D719,467 S *	12/2014	Bradbury	D10/32

(Continued)

- (**) Term: **14 Years**
- (21) Appl. No.: **29/453,822**
- (22) Filed: **May 3, 2013**

Primary Examiner — Mary Ann Calabrese
Assistant Examiner — Jennifer L Rempfer
(74) *Attorney, Agent, or Firm* — Sughrue Mion, PLLC

Related U.S. Application Data

- (63) Continuation of application No. 29/449,802, filed on Mar. 15, 2013, now Pat. No. Des. 709,875.

- (51) **LOC (10) Cl.** **14-02**
- (52) **U.S. Cl.**
USPC **D14/344**

- (58) **Field of Classification Search**
USPC D14/341–347, 371, 426, 427; D11/3;
D10/30–39, 70, 121, 122, 128
CPC A61B 2017/60442; A61B 2017/6824;
A61B 5/681; A61B 5/02438; A61B 5/1112;
A61B 5/0022; H04B 1/385; A44C 5/14;
A44C 5/12
See application file for complete search history.

- (56) **References Cited**

U.S. PATENT DOCUMENTS

D282,914 S	3/1986	Maron	
D284,949 S	8/1986	Kong	
D297,121 S	8/1988	Porsche et al.	
D302,664 S	8/1989	Dawson, Jr.	
D335,263 S *	5/1993	Willis	D11/3
D351,558 S	10/1994	Moon	

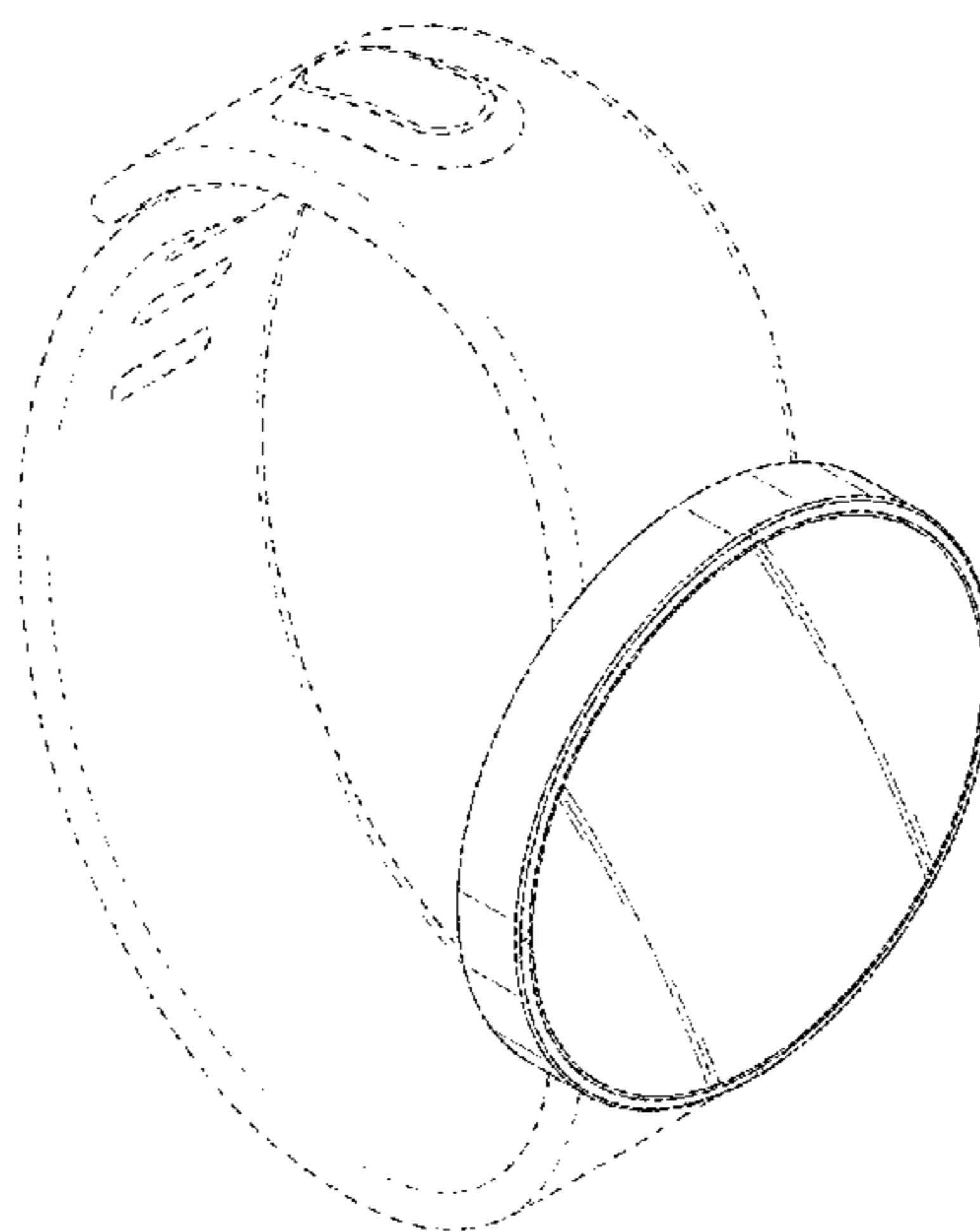
(57) **CLAIM**

The ornamental design for an electronic device, as shown and described.

DESCRIPTION

FIG. 1 is a top front perspective view of an electronic device showing our new design;
 FIG. 2 is a front elevational view thereof;
 FIG. 3 is a rear elevational view thereof;
 FIG. 4 is a left side elevational view thereof;
 FIG. 5 is a right side elevational view thereof;
 FIG. 6 is a top plan view thereof;
 FIG. 7 is a bottom plan view thereof;
 FIG. 8 is an additional top front perspective view thereof with the electronic device shown at a different direction from that of FIG. 1; and,
 FIG. 9 is an additional top front perspective view thereof with a portion of the band shown partially truncated.
 The broken lines in the drawings represent portions of the electronic device that form no part of the claimed design. The dash-dot-dash lines represent a symbolic break boundary of the band portion of the electronic device and form no part of the claimed design.

1 Claim, 4 Drawing Sheets



(56)

References Cited

U.S. PATENT DOCUMENTS

8,902,714 B2 * 12/2014 Gossweiler, III G04G 21/08
 368/10
 D725,493 S * 3/2015 Rimaneli D10/30
 D726,672 S * 4/2015 Olodort D14/138 G
 D726,677 S * 4/2015 Choi D10/38
 D726,679 S * 4/2015 Kim D10/38
 D726,680 S * 4/2015 Kim D10/37
 D729,655 S * 5/2015 Bauer D10/70
 D730,198 S * 5/2015 Perko D10/31
 9,030,446 B2 * 5/2015 Mistry G06F 3/0304
 178/18.09
 D731,455 S * 6/2015 Park D10/38
 D735,069 S * 7/2015 Paradise D11/3
 D735,589 S * 8/2015 Grinberg D10/38

2003/0229276 A1* 12/2003 Sarussi A61B 5/02433
 600/322
 2004/0138568 A1* 7/2004 Lo A61B 5/02438
 600/459
 2009/0005661 A1* 1/2009 Ozawa A61B 5/681
 600/322
 2009/0043217 A1* 2/2009 Hui A61B 5/0002
 600/509
 2012/0330126 A1* 12/2012 Hoppe A61B 5/0002
 600/391
 2013/0096411 A1* 4/2013 Kato A61B 5/0408
 600/390
 2013/0137956 A1* 5/2013 Okuda A61B 5/0408
 600/390
 2014/0307531 A1* 10/2014 Boularas A44C 5/107
 368/282

* cited by examiner

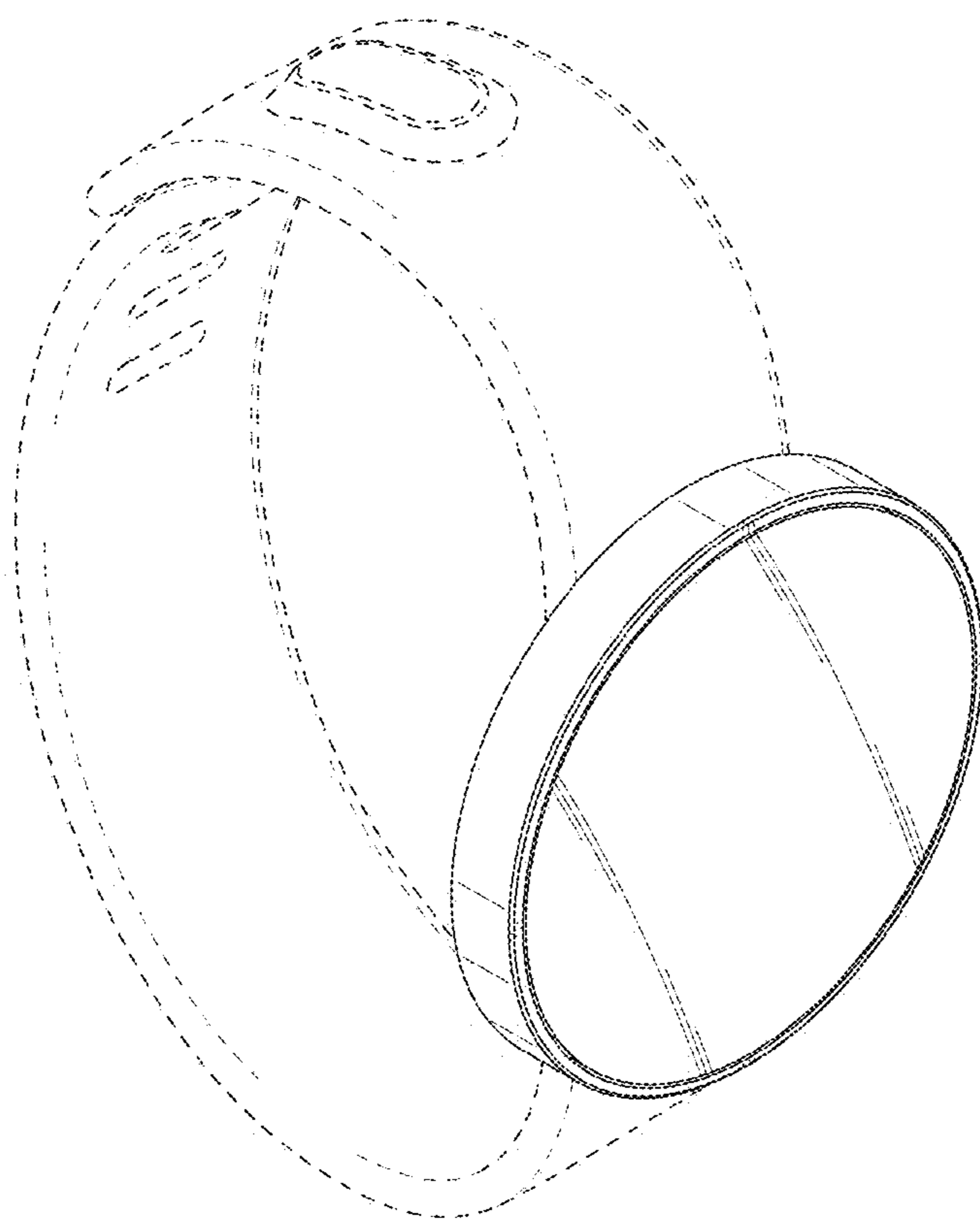


FIG. 1

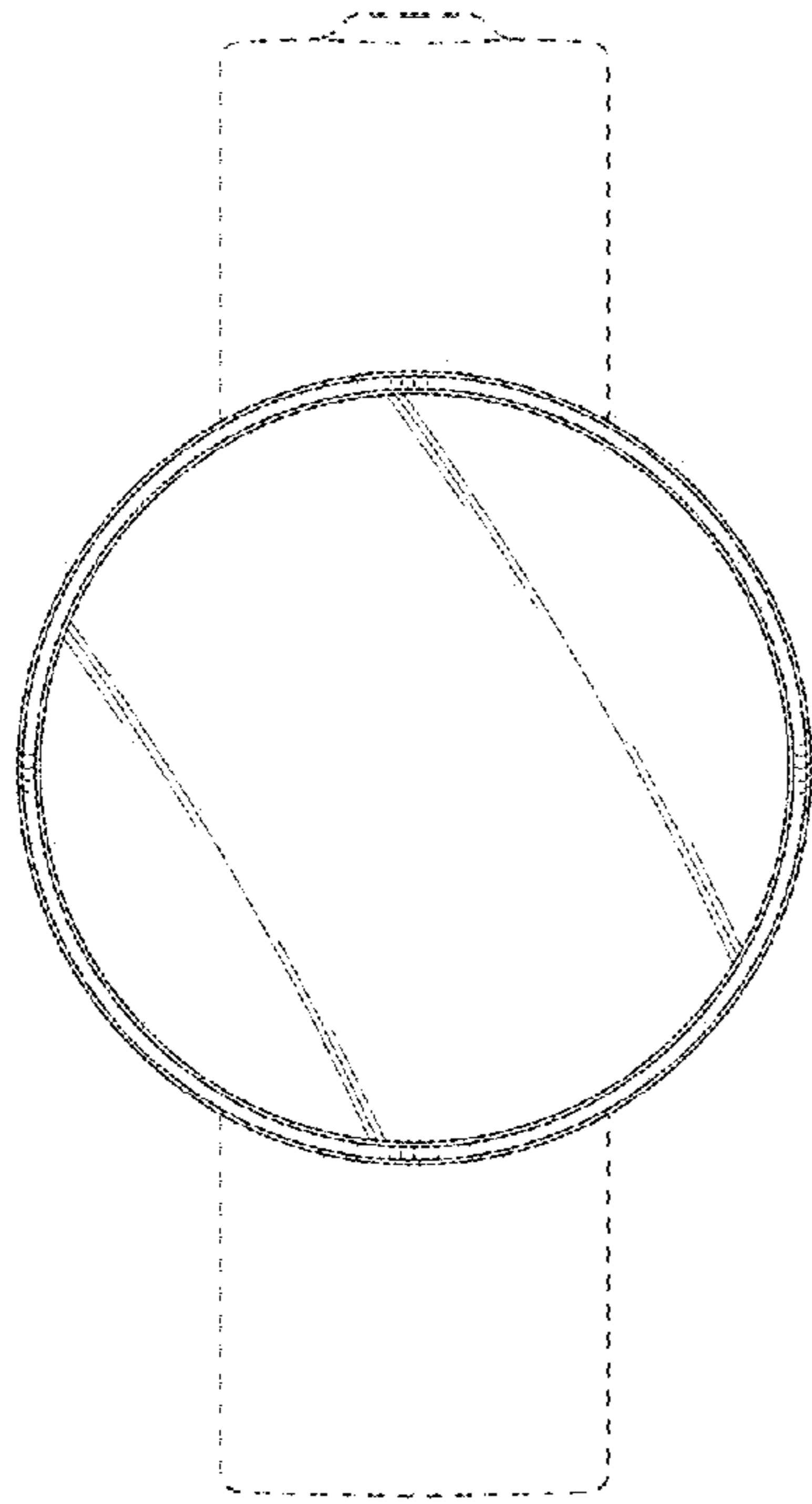


FIG. 2

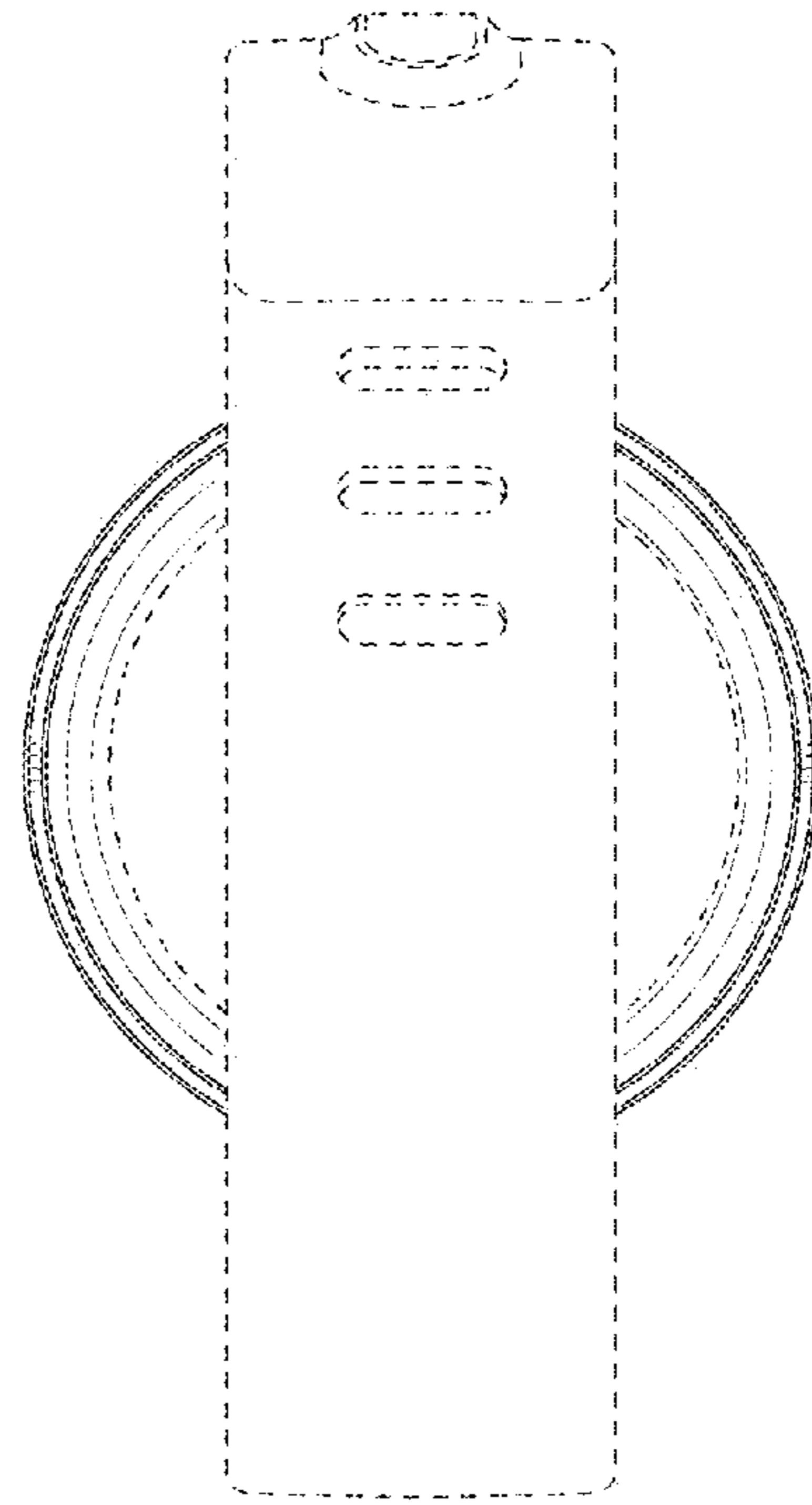


FIG. 3

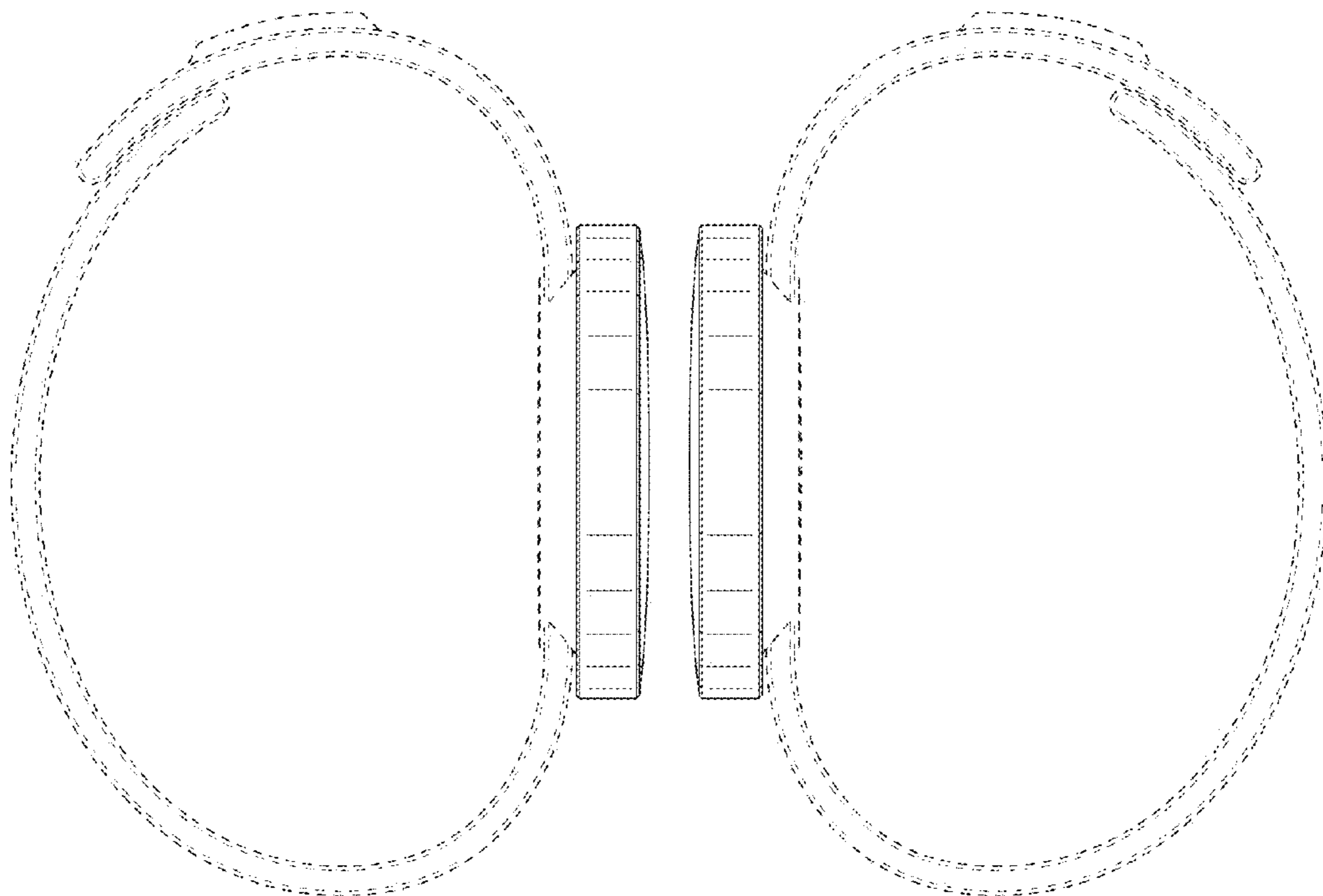


FIG. 4

FIG. 5

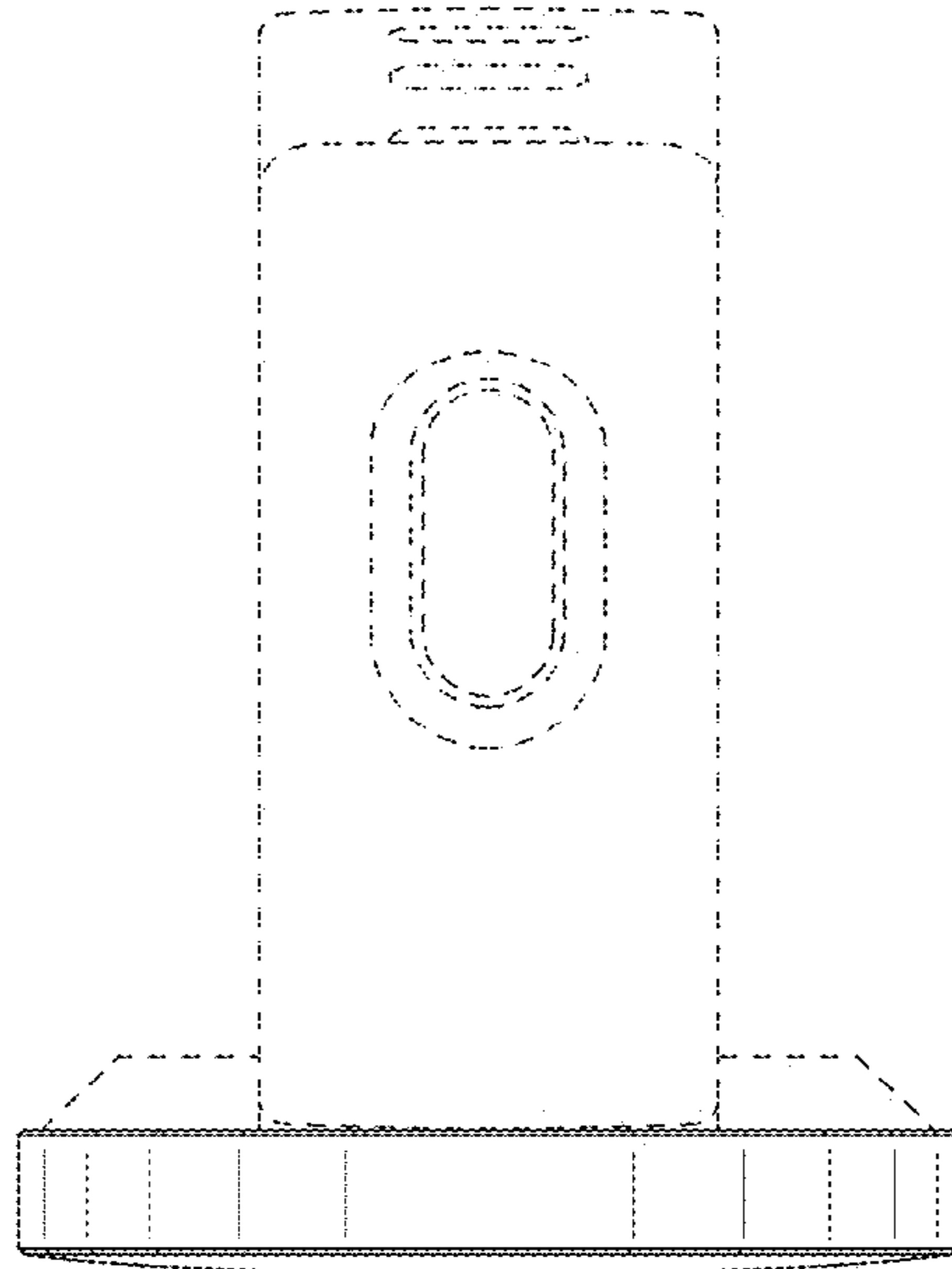


FIG. 6

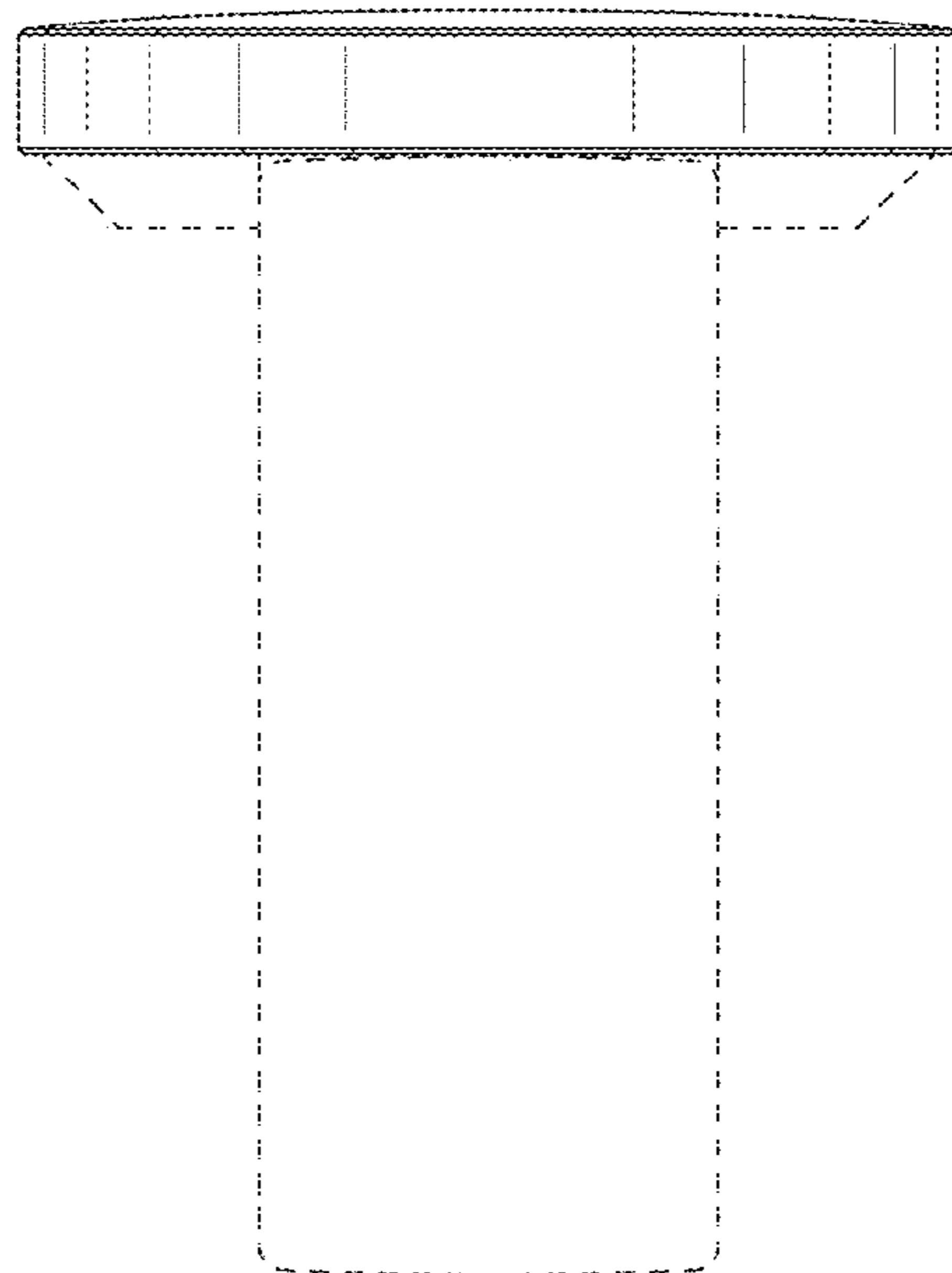


FIG. 7

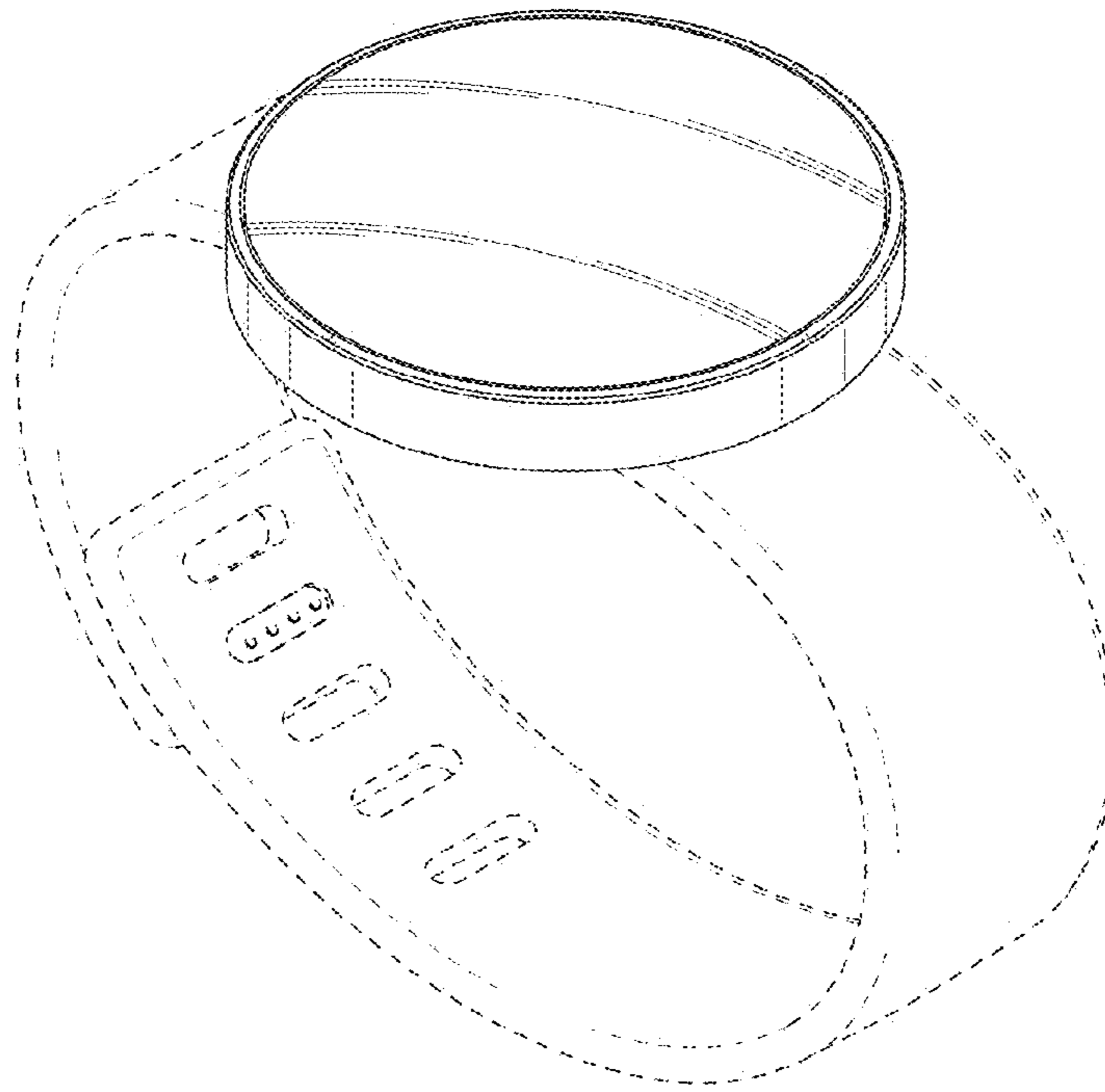


FIG. 8

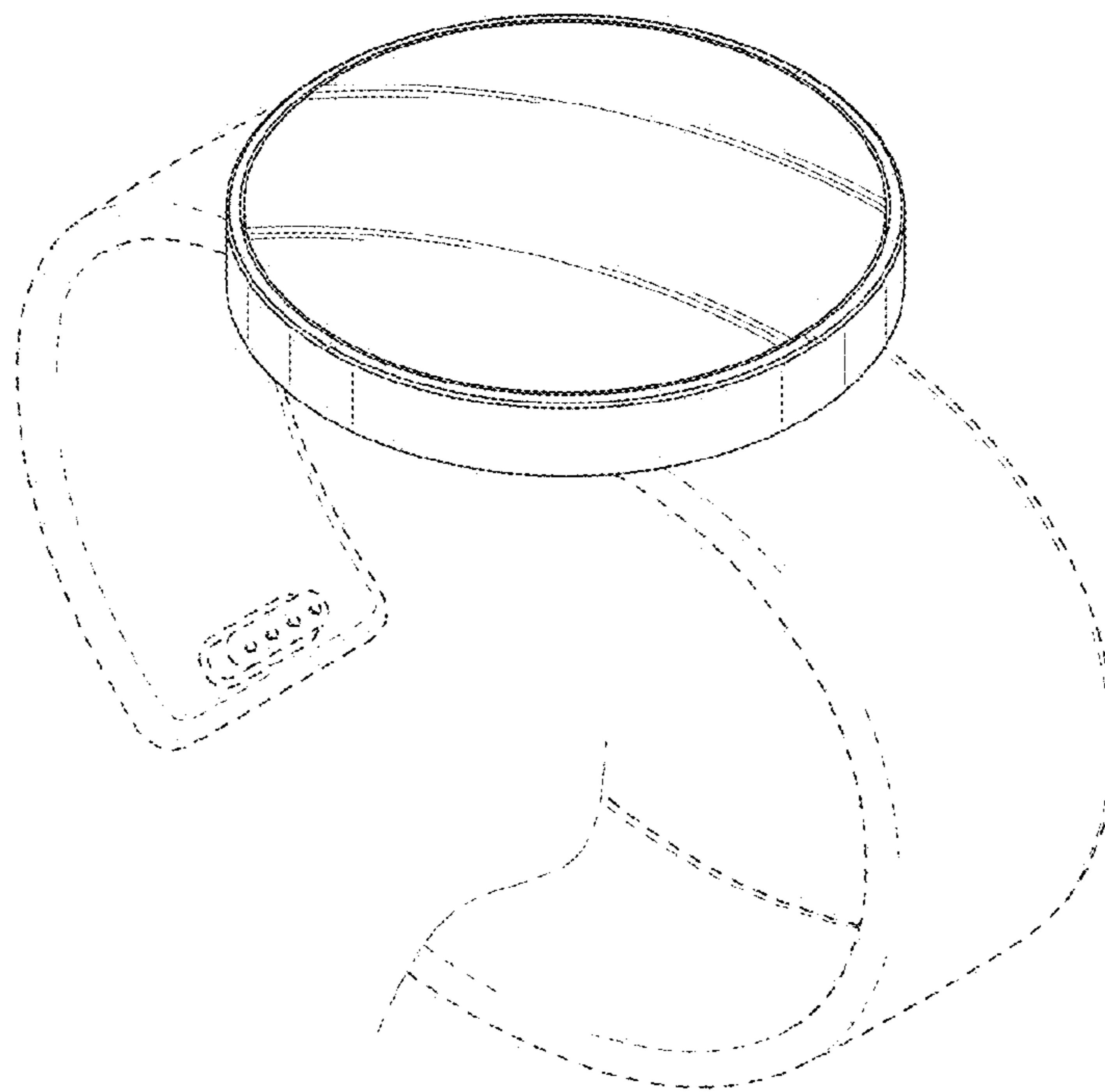


FIG. 9