



US00D760215S

(12) **United States Design Patent**  
**Yagi**

(10) **Patent No.:** **US D760,215 S**  
(45) **Date of Patent:** **\*\* Jun. 28, 2016**

- (54) **OPTICAL DISC PLAYER**
- (71) Applicant: **Funai Electric Co., Ltd.**, Osaka (JP)
- (72) Inventor: **Hidekazu Yagi**, Osaka (JP)
- (73) Assignee: **Funai Electric Co., Ltd.**, Osaka (JP)
- (\*\*) Term: **14 Years**
- (21) Appl. No.: **29/499,545**
- (22) Filed: **Aug. 15, 2014**

D623,196 S \* 9/2010 Yagi ..... D14/505  
 D705,267 S \* 5/2014 Li ..... D14/502  
 D707,715 S \* 6/2014 Yagi ..... D14/498  
 D708,230 S \* 7/2014 Yagi ..... D14/498

\* cited by examiner

*Primary Examiner* — Sandra Morris  
(74) *Attorney, Agent, or Firm* — Osha Liang LLP

(57) **CLAIM**  
An ornamental design for an optical disc player, as shown and described.

**DESCRIPTION**

- (30) **Foreign Application Priority Data**  
Apr. 21, 2014 (JP) ..... 2014-008701
- (51) **LOC (10) Cl.** ..... **14-03**
- (52) **U.S. Cl.**  
USPC ..... **D14/257**
- (58) **Field of Classification Search**  
USPC ..... D14/363–368, 125, 496, 498–511,  
D14/168–171, 188–198, 257, 260–260.1;  
455/90.1–90.3, 344–355;  
720/600–601, 612, 619, 655; 174/50  
CPC ..... H05K 5/04  
See application file for complete search history.

FIG. 1 is a perspective view of the design according to the invention.  
 FIG. 2 is a front side view of the design according to the invention.  
 FIG. 3 is a back side view of the design according to the invention.  
 FIG. 4 is a right side view of the design according to the invention.  
 FIG. 5 is a left side view of the design according to the invention.  
 FIG. 6 is a top view of the design according to the invention; and,  
 FIG. 7 is a bottom view of the design according to the invention.

The broken lines are for illustrative purposes only and form no part of the claimed design. The dot-dash broken lines define the bounds of the claimed design and form no part thereof. The claimed subject matter is the area enclosed by the dot-dash broken lines and full lines.

- (56) **References Cited**  
U.S. PATENT DOCUMENTS  
D476,651 S \* 7/2003 Clark ..... D14/257  
D512,419 S \* 12/2005 Juskiewicz ..... D14/257  
D619,131 S \* 7/2010 Oota ..... D14/257

**1 Claim, 4 Drawing Sheets**

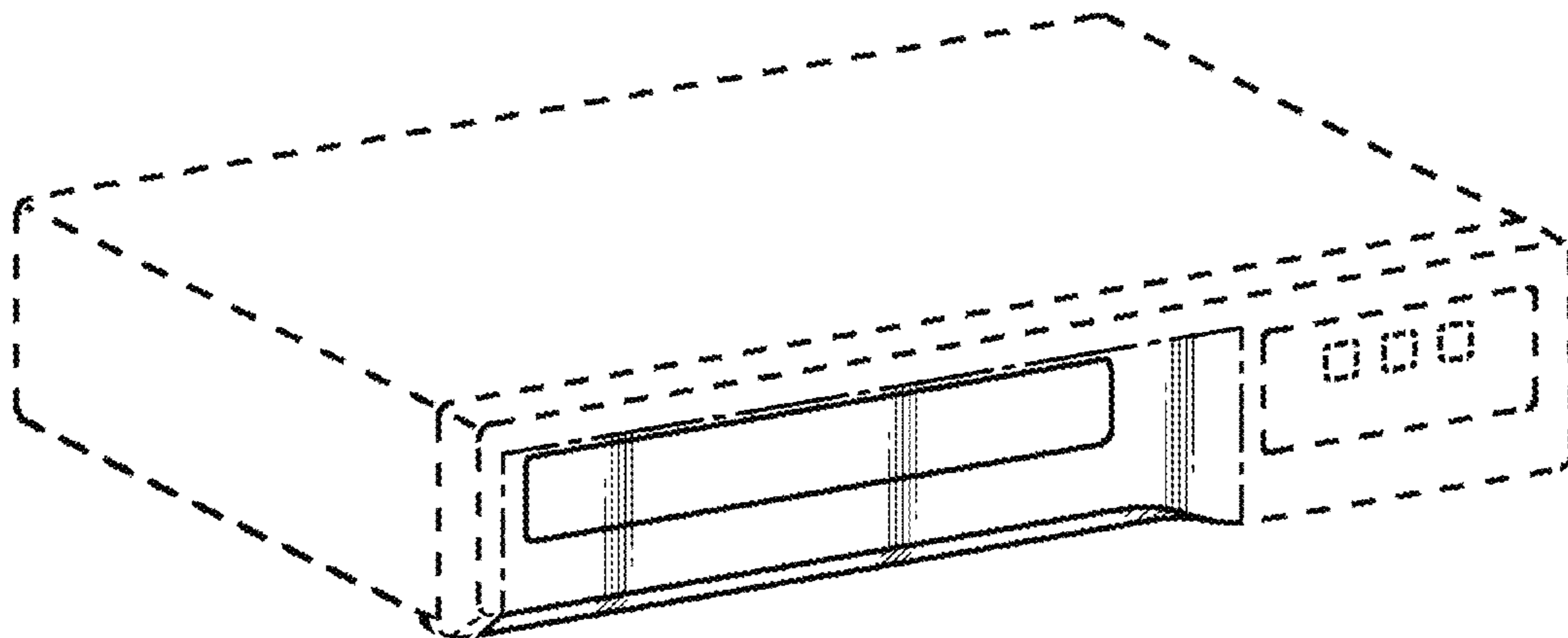


FIG. 1

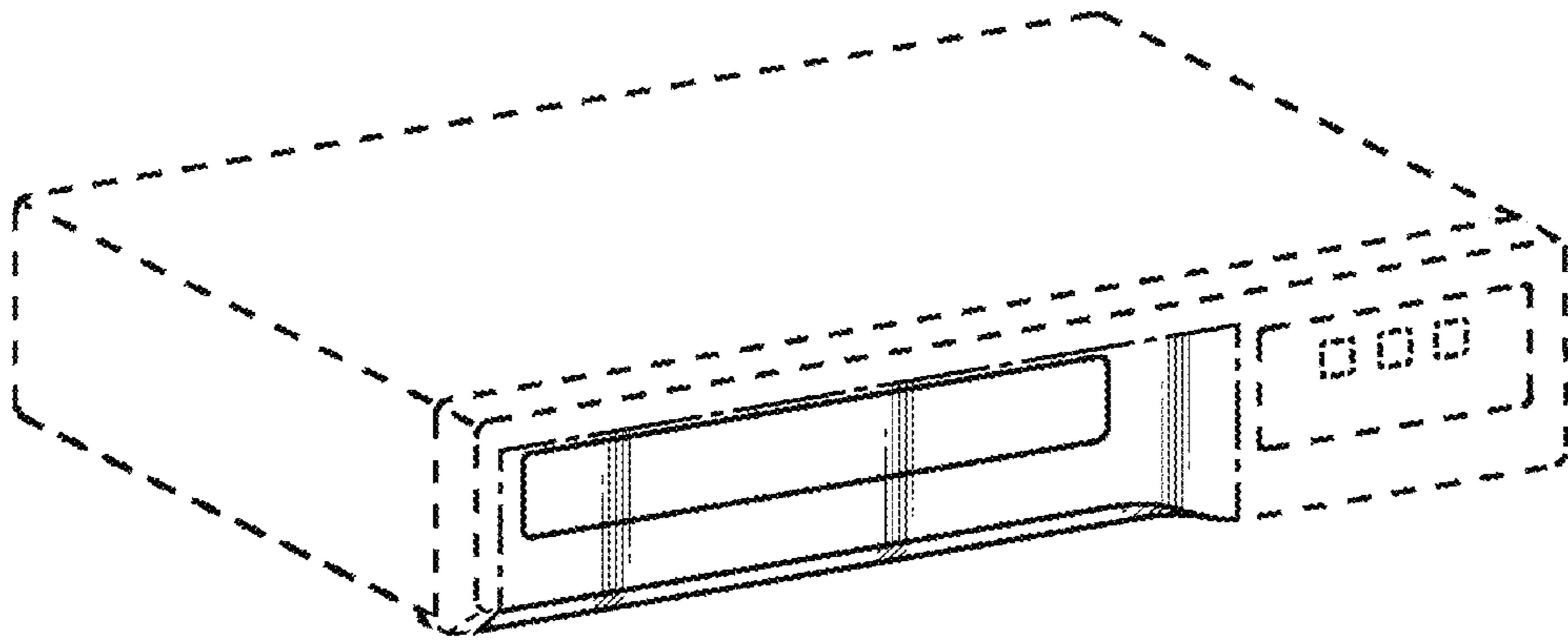


FIG. 2

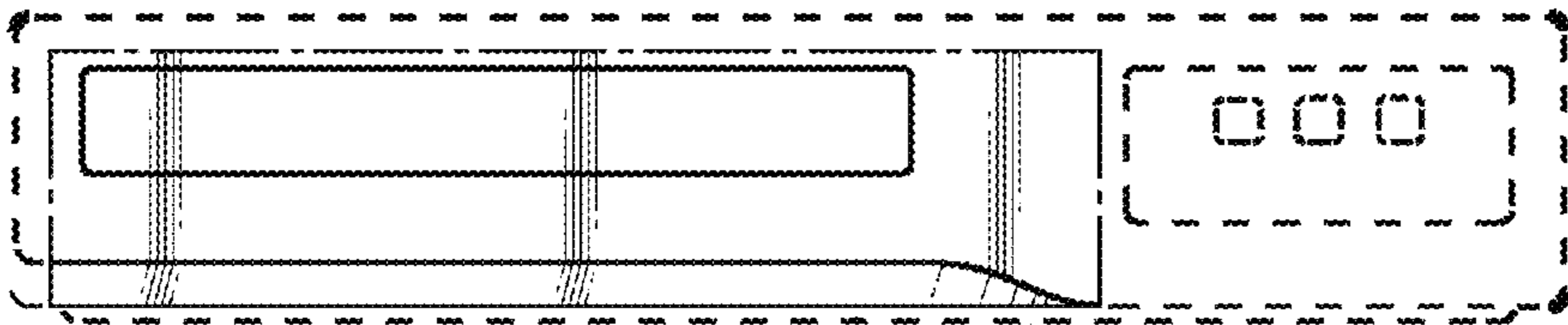


FIG. 3



FIG. 4

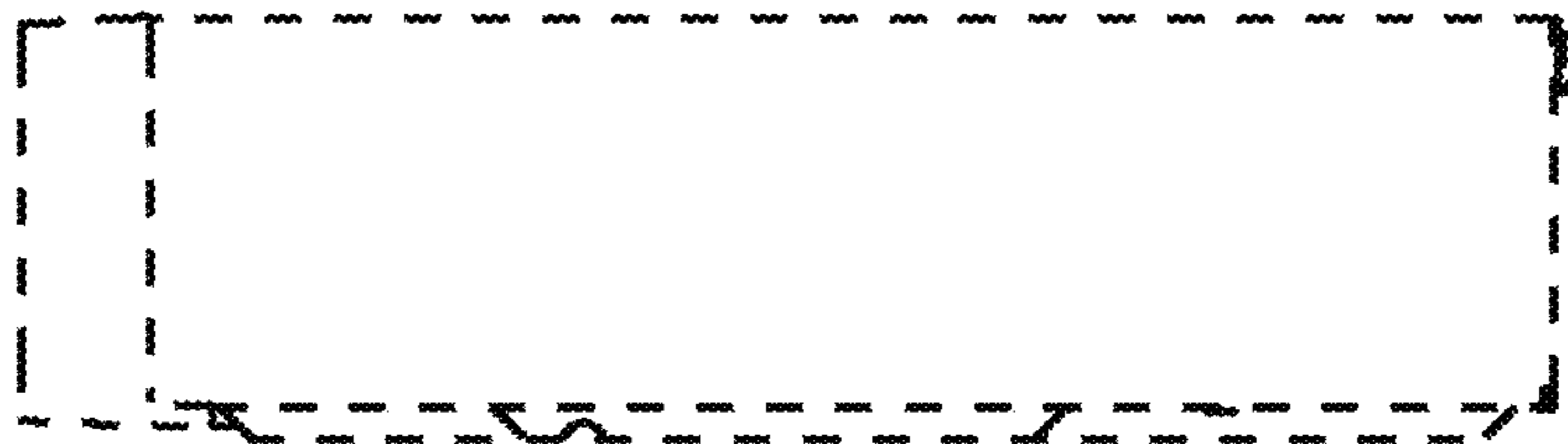


FIG. 5

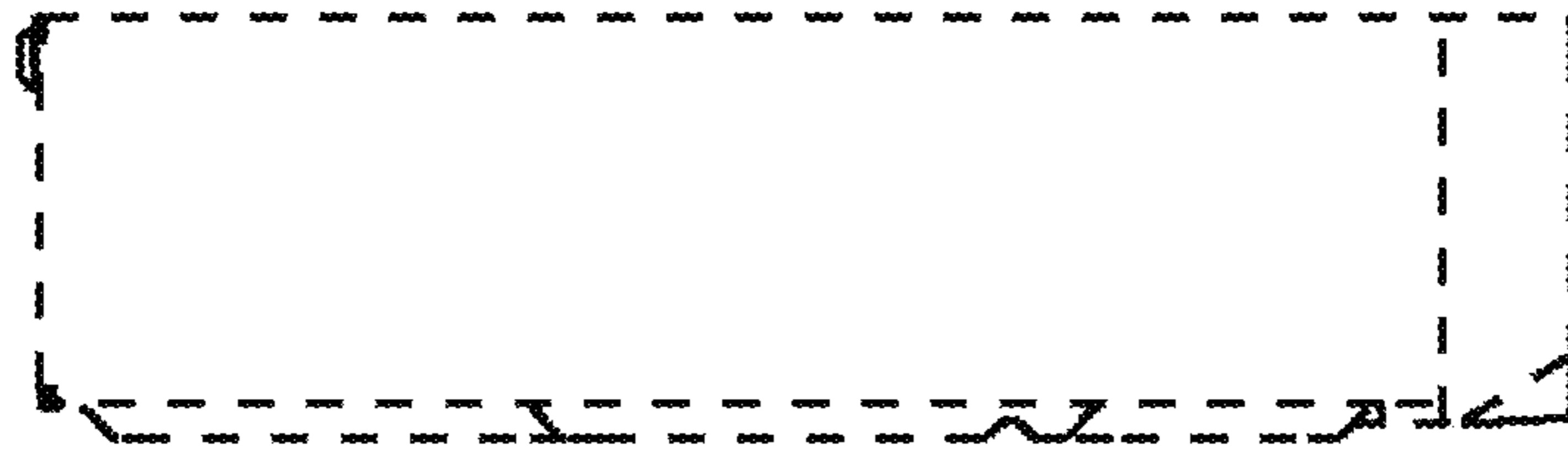


FIG. 6



FIG. 7

