



US00D760214S

(12) **United States Design Patent**
Kemper

(10) **Patent No.:** **US D760,214 S**
(45) **Date of Patent:** **** Jun. 28, 2016**

- (54) **MOBILE DEVICE CRADLE**
- (71) Applicant: **Randall Kemper**, Rockport, TX (US)
- (72) Inventor: **Randall Kemper**, Rockport, TX (US)
- (**) Term: **14 Years**
- (21) Appl. No.: **29/518,205**
- (22) Filed: **Feb. 20, 2015**
- (51) **LOC (10) Cl.** **14-03**
- (52) **U.S. Cl.**
USPC **D14/253**
- (58) **Field of Classification Search**
USPC D14/253, 432, 434, 440, 447, 439, 451,
D14/452, 457, 250, 251; D12/415, 114,
D12/420, 417, 223; D6/406.3, 406.4, 406.5,
D6/406.6, 310, 407; D3/218; D8/349
CPC H04M 1/04; H04M 1/06; H04M 1/11;
H04M 1/12; F16M 13/00; B60R 11/00;
B60R 11/02; H05K 7/00
See application file for complete search history.

(56) **References Cited**

U.S. PATENT DOCUMENTS

- D46,314 S * 8/1914 Levy 43/115
- D221,191 S * 7/1971 Nutt D19/91
- 4,044,980 A * 8/1977 Cummins A47B 23/043
206/305
- D364,158 S * 11/1995 Branch D14/137
- 6,231,023 B1 * 5/2001 Morton A47B 97/08
248/441.1
- D468,542 S * 1/2003 Hennekes D6/310
- D513,008 S * 12/2005 Takizawa D14/447
- D578,540 S * 10/2008 Bouwknecht D14/447
- D643,845 S * 8/2011 Hong D14/447
- 8,061,721 B2 * 11/2011 Ganz B62B 3/10
280/202
- D664,528 S * 7/2012 Chen D14/253
- D666,614 S * 9/2012 Ding D14/253
- D666,619 S * 9/2012 May D14/447
- D671,934 S * 12/2012 Alman D14/253

- D676,832 S * 2/2013 Akana D14/217
- D684,963 S * 6/2013 Goodrich D14/253
- D685,322 S * 7/2013 Szymanski D13/108
- D685,366 S * 7/2013 Ding D14/253
- D688,235 S * 8/2013 Song D14/253
- D703,214 S * 4/2014 Lye D14/447
- D730,091 S * 5/2015 Chan D6/681
- D741,314 S * 10/2015 Kwak D14/253
- D741,336 S * 10/2015 Miniard D14/447
- D741,846 S * 10/2015 Jeon D14/253
- D752,595 S * 3/2016 Heckler D14/447
- 2010/0282924 A1 * 11/2010 Boies A47B 23/042
248/163.1
- 2014/0151524 A1 * 6/2014 Katterheinrich F16M 11/10
248/456
- 2015/0180524 A1 * 6/2015 Lambert H04M 1/04
455/575.1
- 2016/0002964 A1 * 1/2016 Huang E05D 11/0081
362/253

* cited by examiner

Primary Examiner — Susan Bennett Hattan

Assistant Examiner — Janice Hallmark

(74) *Attorney, Agent, or Firm* — Dunlap, Bennett & Ludwig
PLLC

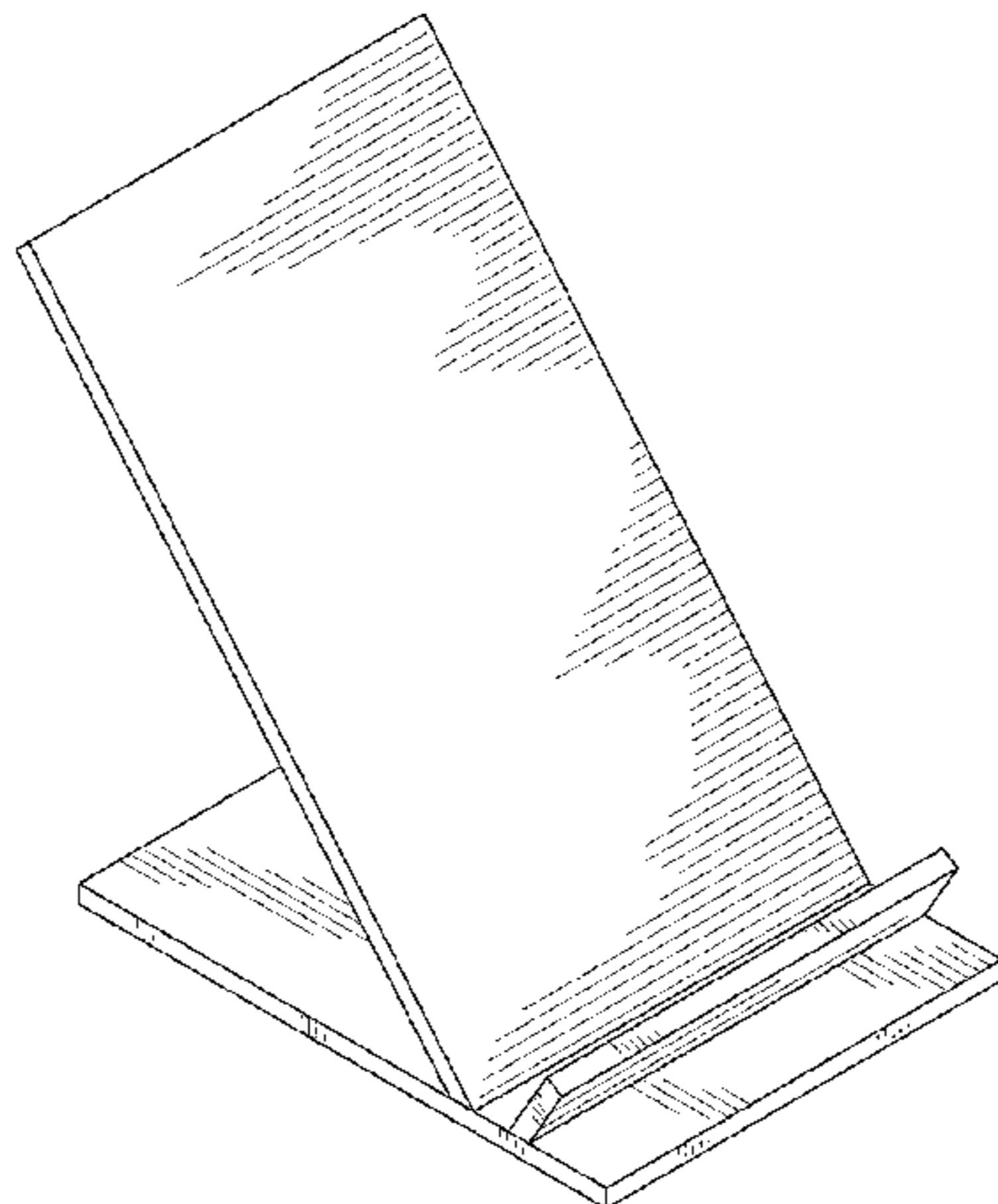
(57) **CLAIM**

The ornamental design for a mobile device cradle, as shown and described.

DESCRIPTION

FIG. 1 is a perspective top front view of a mobile device cradle;
 FIG. 2 is a front elevation view thereof; the rear elevation view being a mirror image thereof;
 FIG. 3 is a left elevation view thereof;
 FIG. 4 is a right elevation view thereof
 FIG. 5 is a top elevation view thereof;
 FIG. 6 is a bottom elevation view thereof; and,
 FIG. 7 is a perspective top front view thereof, shown in use.
 The broken lines shown in the drawings illustrate a mobile device that forms no part of the claimed design.

1 Claim, 4 Drawing Sheets



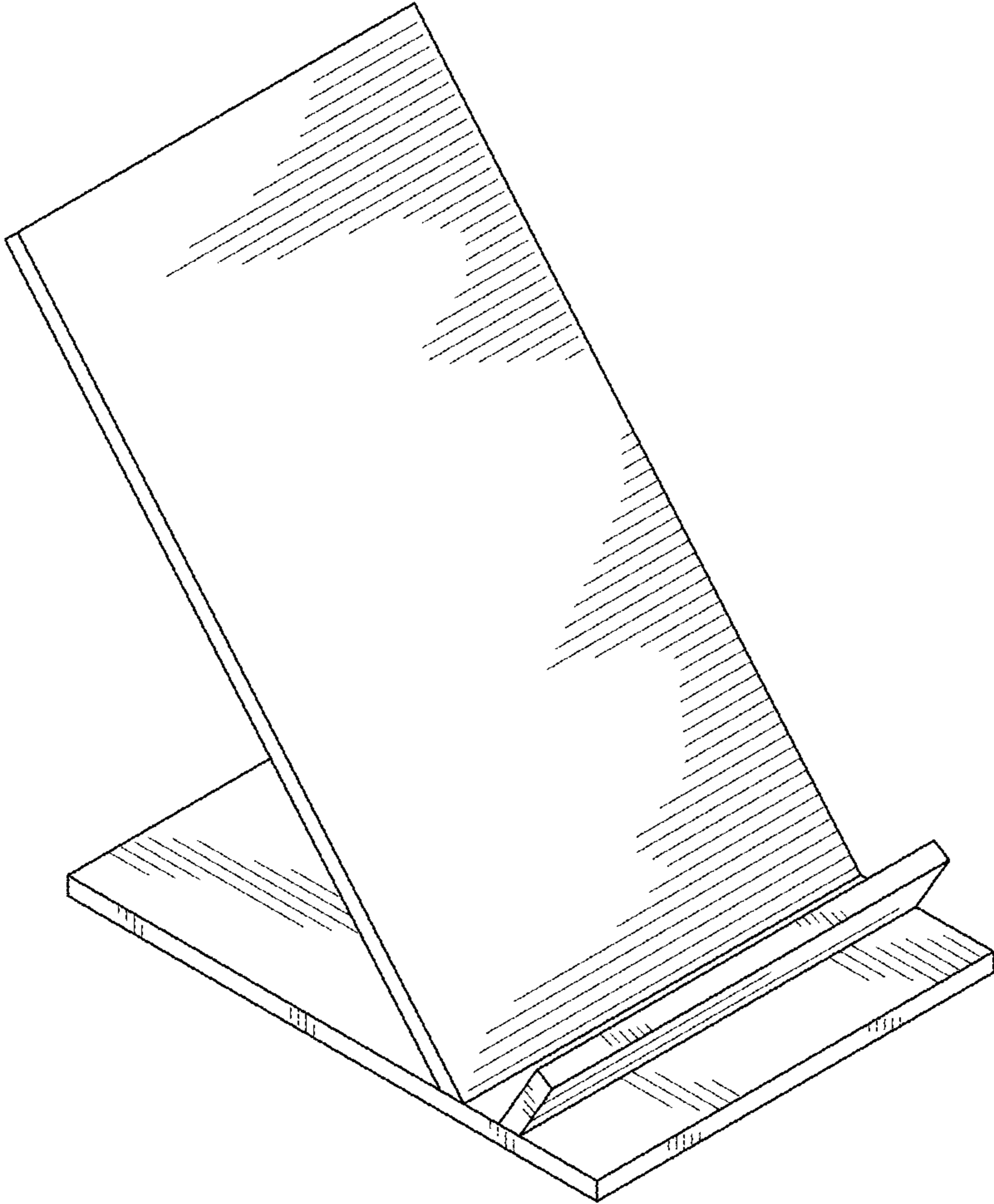


FIG. 1

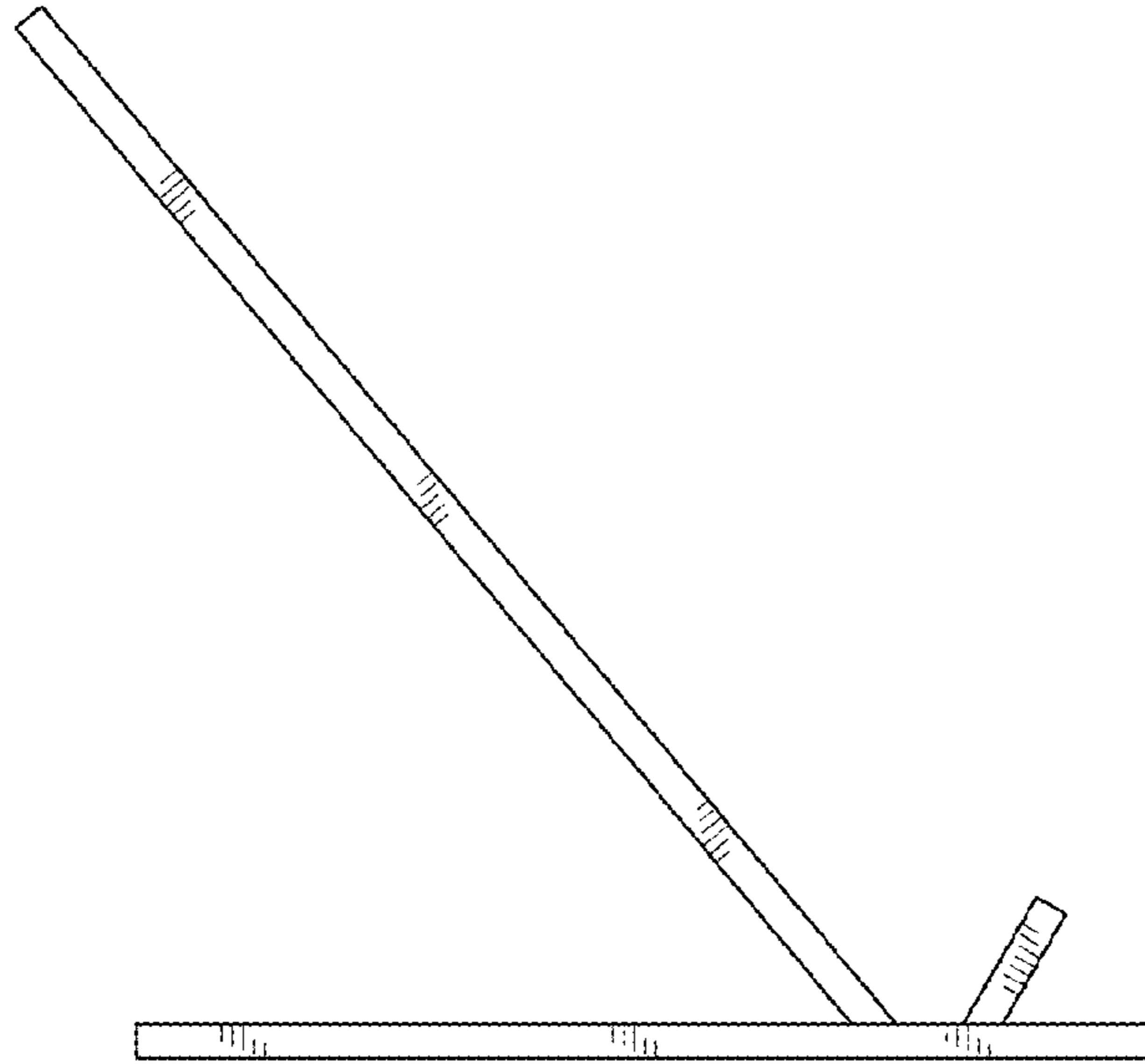


FIG. 2

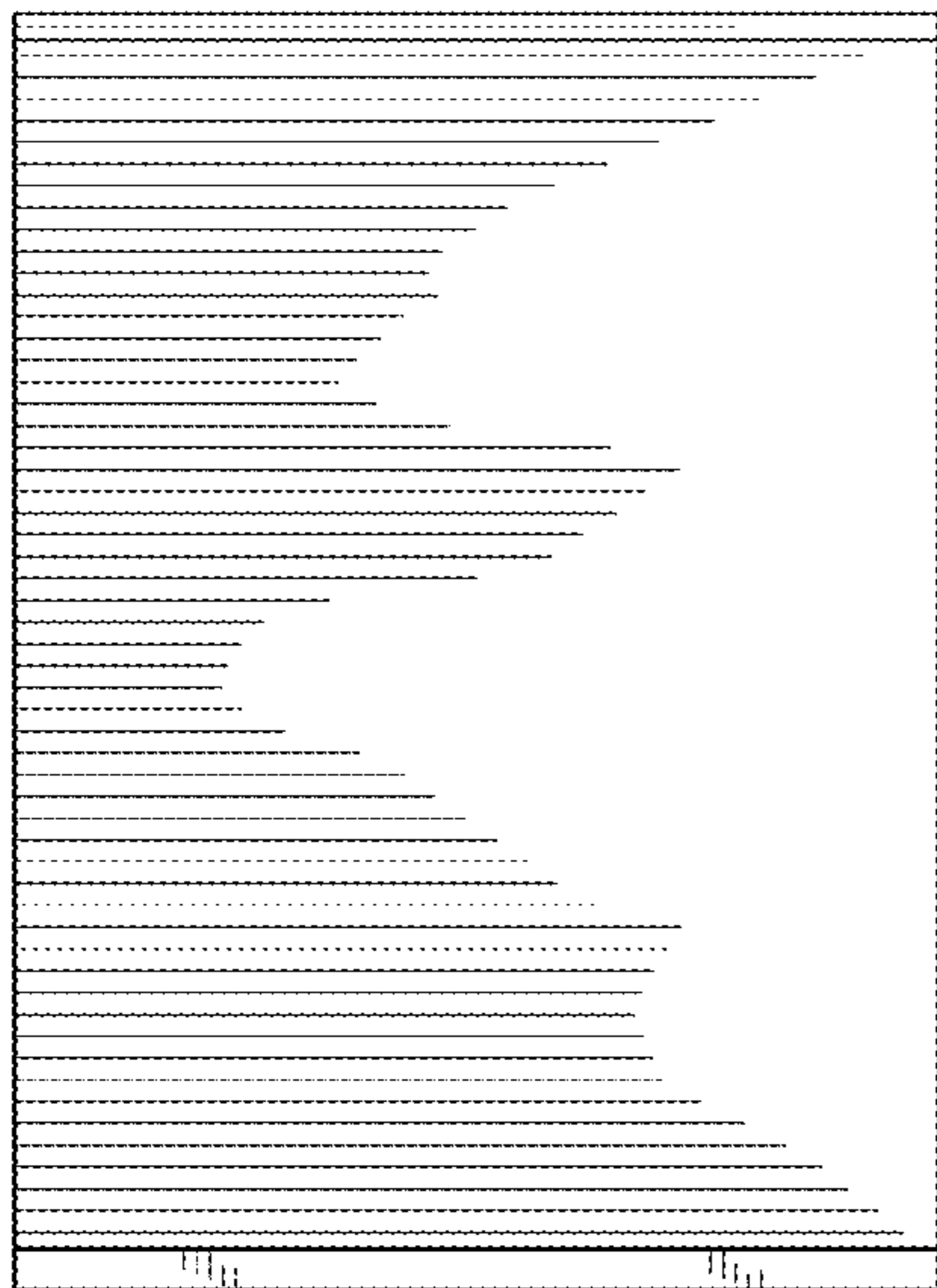


FIG. 3

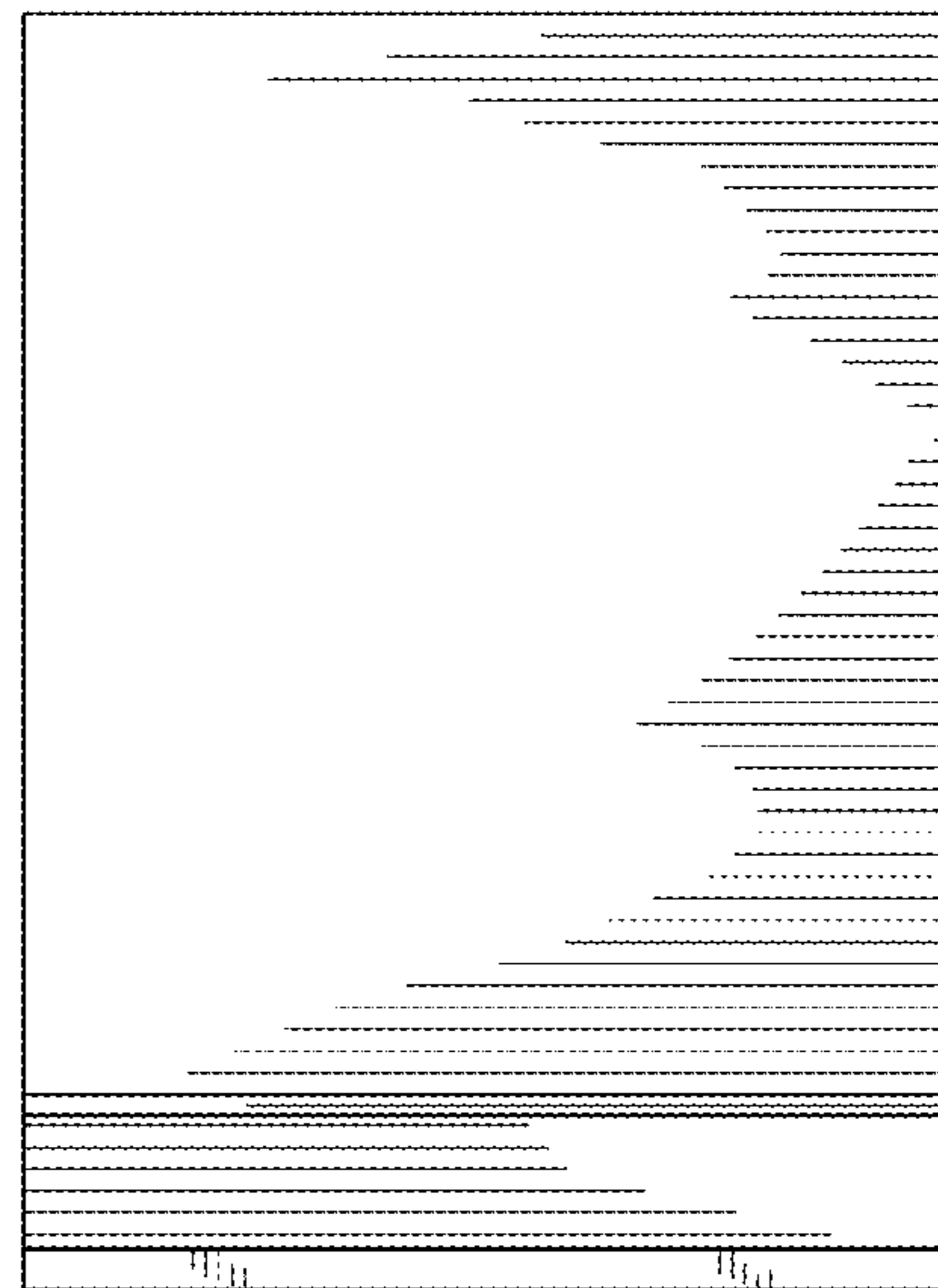


FIG. 4

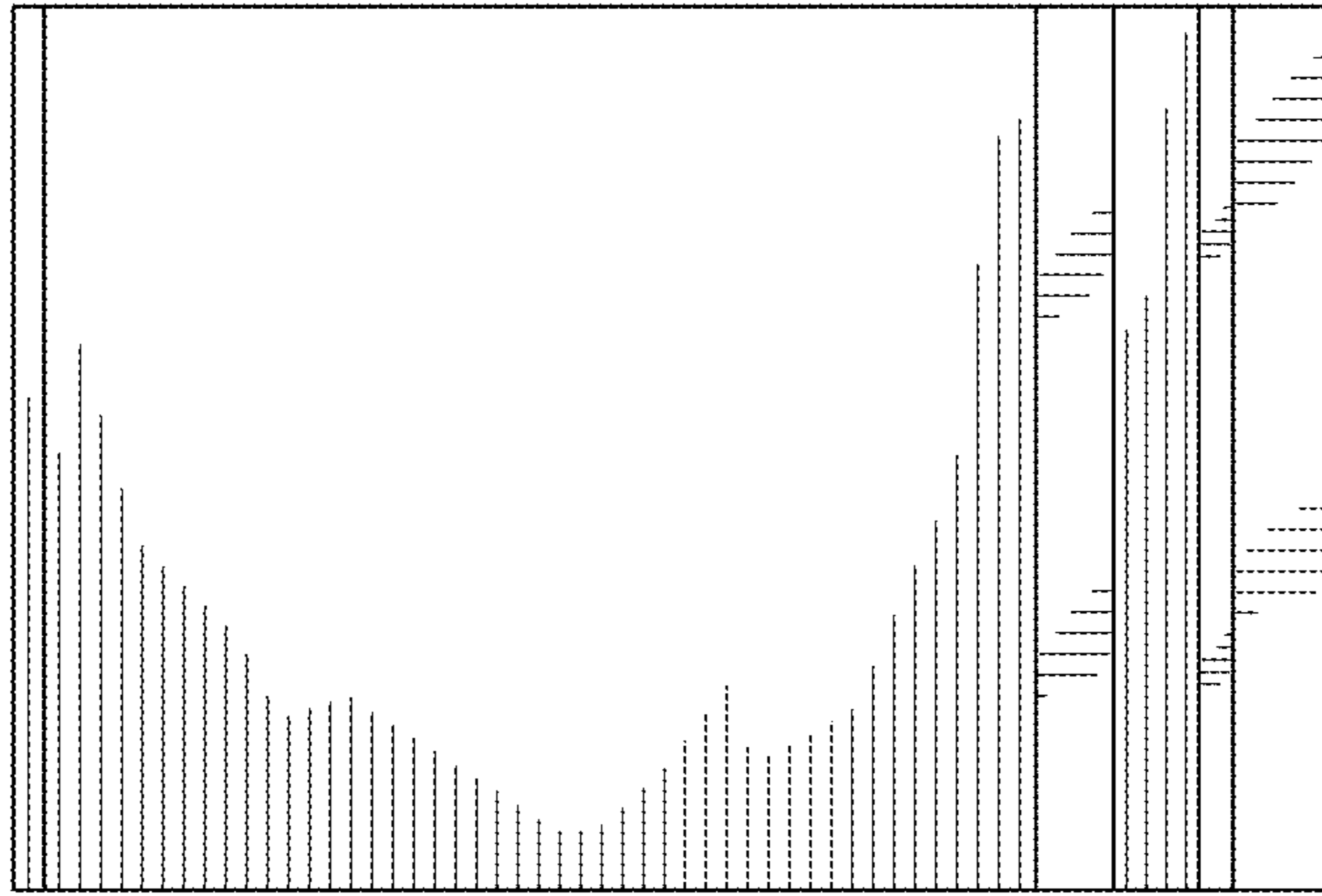


FIG.5

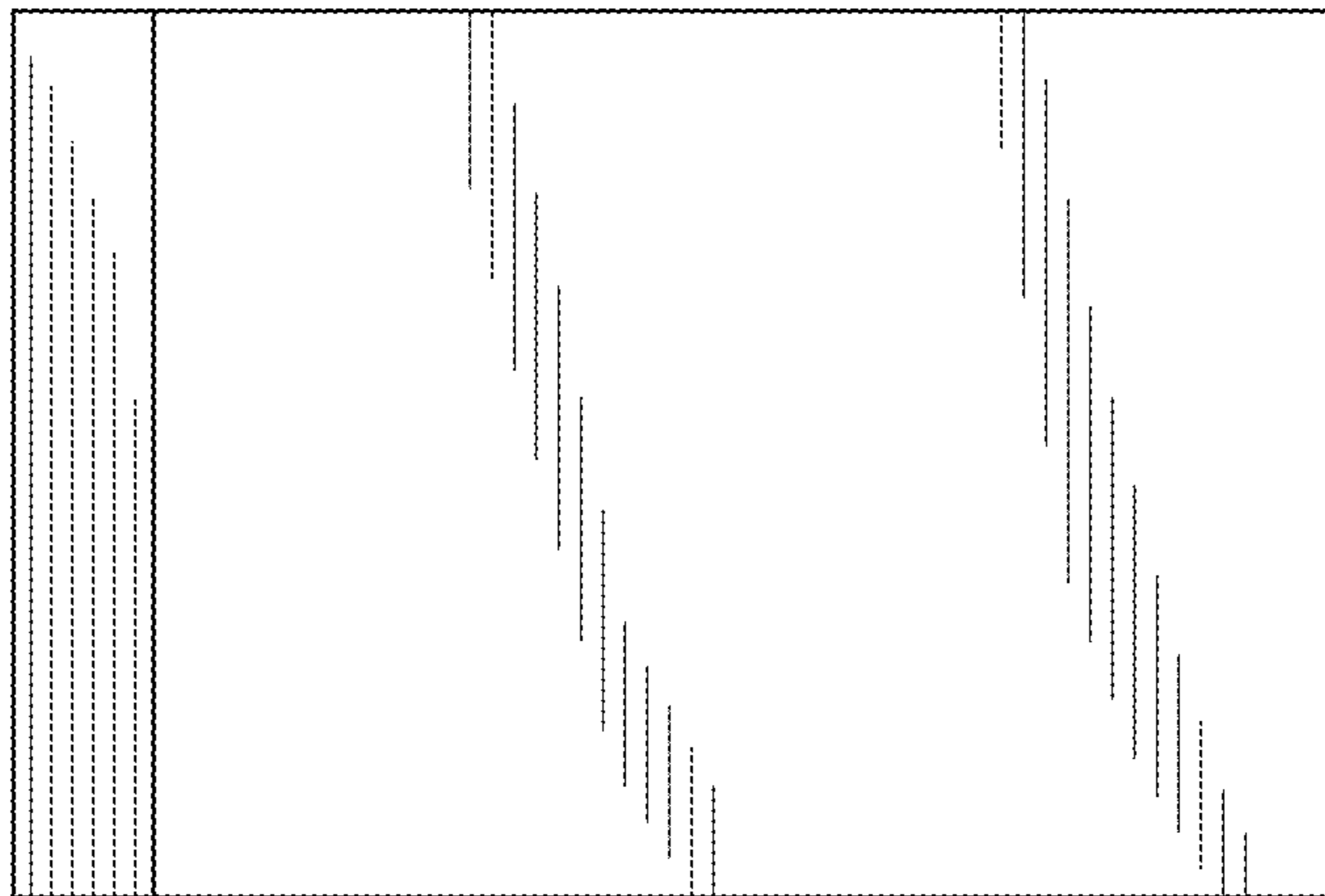


FIG.6

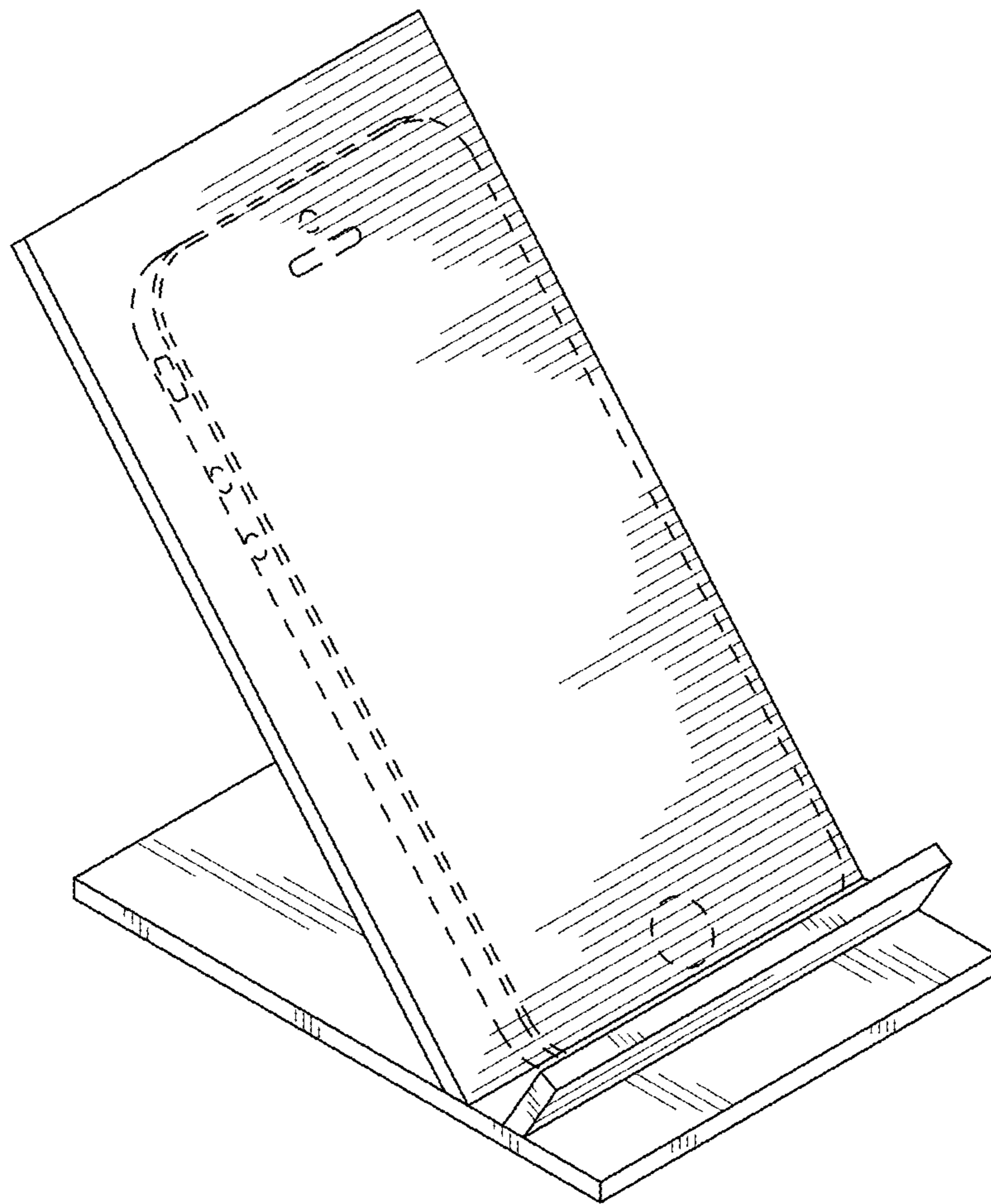


FIG.7