



US00D760211S

(12) **United States Design Patent**
Mao et al.

(10) **Patent No.:** **US D760,211 S**
(45) **Date of Patent:** **** Jun. 28, 2016**

- (54) **MOBILE DEVICE ATTACHMENT WITH CAMERA**
- (71) Applicant: **FLIR Systems, Inc.**, Wilsonville, OR (US)
- (72) Inventors: **Zhenmei Mao**, Shanghai (CN); **Jeffrey D. Frank**, Santa Barbara, CA (US); **Michael Kent**, Santa Barbara, CA (US); **William B. Hasbrook**, Tualatin, OR (US)
- (73) Assignee: **FLIR Systems, Inc.**, Wilsonville, OR (US)
- (**) Term: **14 Years**
- (21) Appl. No.: **29/478,405**
- (22) Filed: **Jan. 4, 2014**

Related U.S. Application Data

- (63) Continuation-in-part of application No. 29/465,969, filed on Sep. 3, 2013.
- (51) **LOC (10) Cl.** **14-03**
- (52) **U.S. Cl.**
USPC **D14/250**
- (58) **Field of Classification Search**
USPC D14/250–253, 440, 203.3–203.7, 217, D14/496, 248, 238.1, 240, 447; D3/201, D3/218, 269, 301, 273, 303; D13/103, D13/107–108; 220/4.02; 248/309.1; 361/679.56; 379/426, 433.11, 455; 455/575.1, 575.8; 190/100; 206/305, 206/320
CPC A45C 2011/002; A45C 11/00; A45C 13/002; A45C 2011/003; H04M 1/0283; H04M 1/0202

See application file for complete search history.

(56) **References Cited**

U.S. PATENT DOCUMENTS

D392,939 S	3/1998	Finke-Anlauff	
6,050,449 A *	4/2000	Kanj B65D 83/12 206/39.4

(Continued)

OTHER PUBLICATIONS

FLIR Systems, FLIR One; <http://www.techinsights.com/reports-and-subscriptions/open-market-reports/Report-Profile/?ReportKey=10229>; TechInsights Review, published Oct. 30, 2014.*

(Continued)

Primary Examiner — Carla Jobe Wright

Assistant Examiner — Holly E Thurman

(74) *Attorney, Agent, or Firm* — Haynes and Boone, LLP

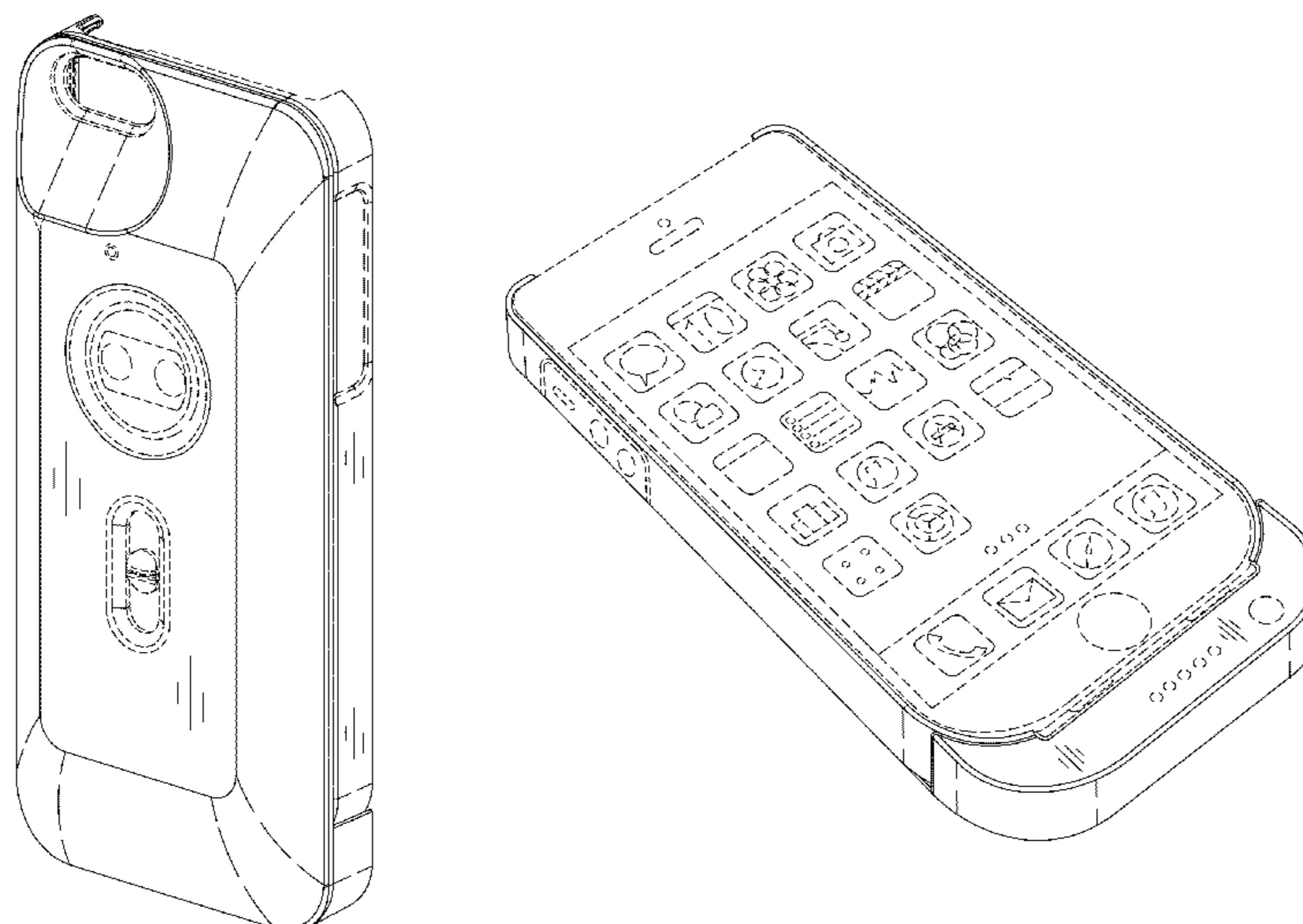
(57) **CLAIM**

The ornamental design for a mobile device attachment with camera, as shown and described.

DESCRIPTION

FIG. 1 is a rear elevational view of a mobile device attachment with camera embodying the new design; FIG. 2 is a front elevational view thereof; FIG. 3 is a left side elevational view thereof; FIG. 4 is a right side elevational view thereof; FIG. 5 is a top plan view thereof; FIG. 6 is a bottom plan view thereof; FIG. 7 is a front-left-top perspective view thereof; FIG. 8 is a rear-left-bottom perspective view thereof showing the mobile device attachment with camera in an environment of use with an unclaimed mobile device; and, FIG. 9 is a front elevational view thereof with an alternate environment of use shown in a vertical orientation. The dashed broken lines in the figures are shown for the purpose of illustrating portions of the mobile device attachment with camera and environmental matter that form no part of the claimed design. The dot-dash broken lines represent the bounds of the claimed design and form no part thereof.

1 Claim, 6 Drawing Sheets



(56)

References Cited

U.S. PATENT DOCUMENTS

D477,293 S * 7/2003 Hwang D14/138 AB
 D496,017 S * 9/2004 Hsu D14/138 AB
 7,612,997 B1 * 11/2009 Diebel et al. 361/679.56
 D631,462 S * 1/2011 Kim D14/138 AB
 D652,403 S * 1/2012 Fahlgren D14/138 G
 D653,202 S 1/2012 Hasbrook et al.
 D658,620 S * 5/2012 Lylyk D14/138 G
 D659,094 S 5/2012 Brand et al.
 D666,144 S 8/2012 Brand et al.
 D671,493 S 11/2012 Hasbrook et al.
 D676,432 S 2/2013 Hasbrook et al.
 8,367,235 B2 2/2013 Huang
 D700,778 S 3/2014 To et al.
 D704,182 S * 5/2014 Smith D14/250
 D705,763 S * 5/2014 Fastman D14/250
 D705,768 S * 5/2014 Melanson et al. D14/250
 D705,769 S * 5/2014 Esses D14/250

D711,863 S * 8/2014 Wen D14/250
 D716,286 S * 10/2014 Ahn D14/250
 D716,784 S * 11/2014 Wen D14/250
 D716,785 S * 11/2014 White D14/250
 D718,230 S * 11/2014 To et al. D13/103
 D718,754 S * 12/2014 To et al. D14/250
 D718,755 S * 12/2014 To et al. D14/250
 D721,356 S * 1/2015 Hasbrook et al. D14/250
 D721,685 S * 1/2015 Hasbrook et al. D14/250
 D721,687 S * 1/2015 To et al. D14/250
 D727,305 S * 4/2015 Fisher D14/250

OTHER PUBLICATIONS

FLIR Systems, FLIR Lepton; <http://www.dronemakers.com/flir-systems-unveils-revolutionary-low-cost-micro-thermal-imaging-camera-core/>; DroneMakers—Drone and UAV Community; published Jan. 8, 2014.*

* cited by examiner

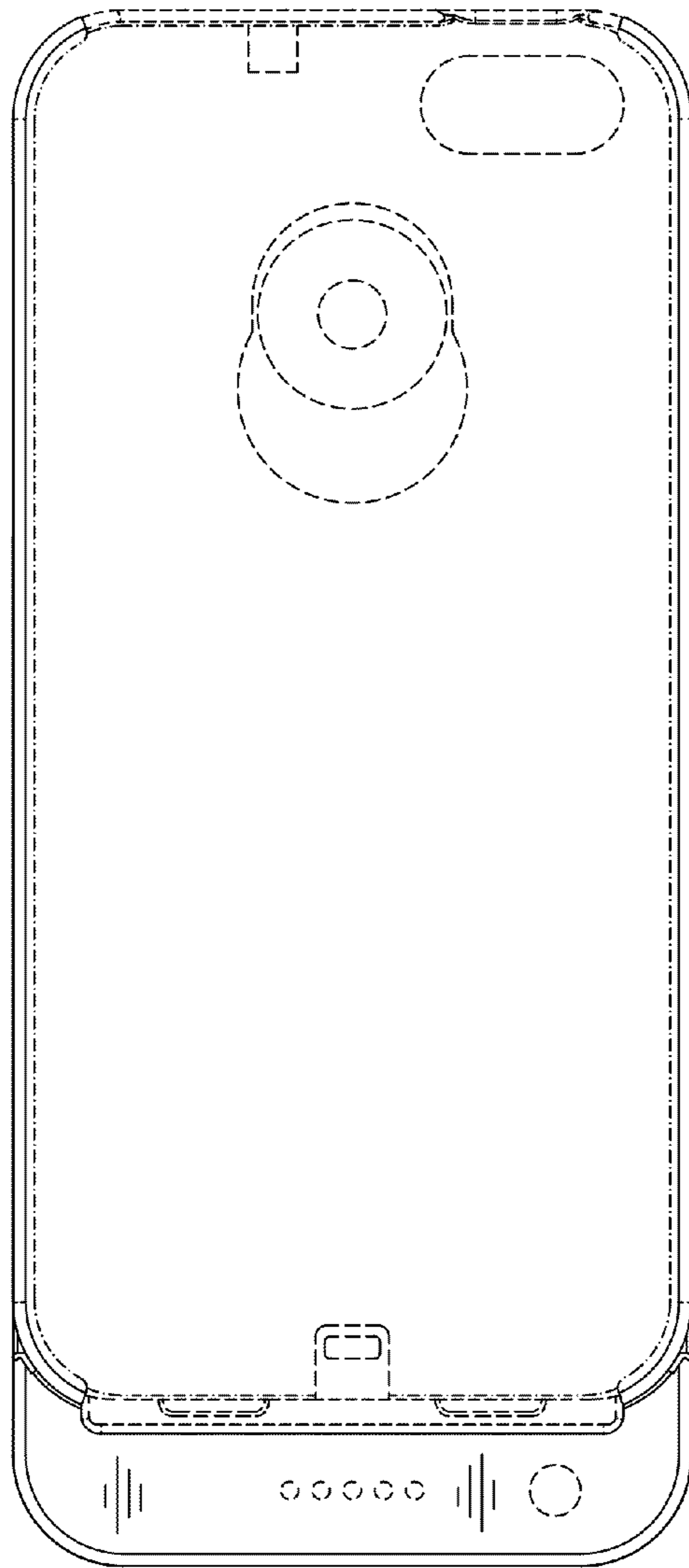


FIG. 1

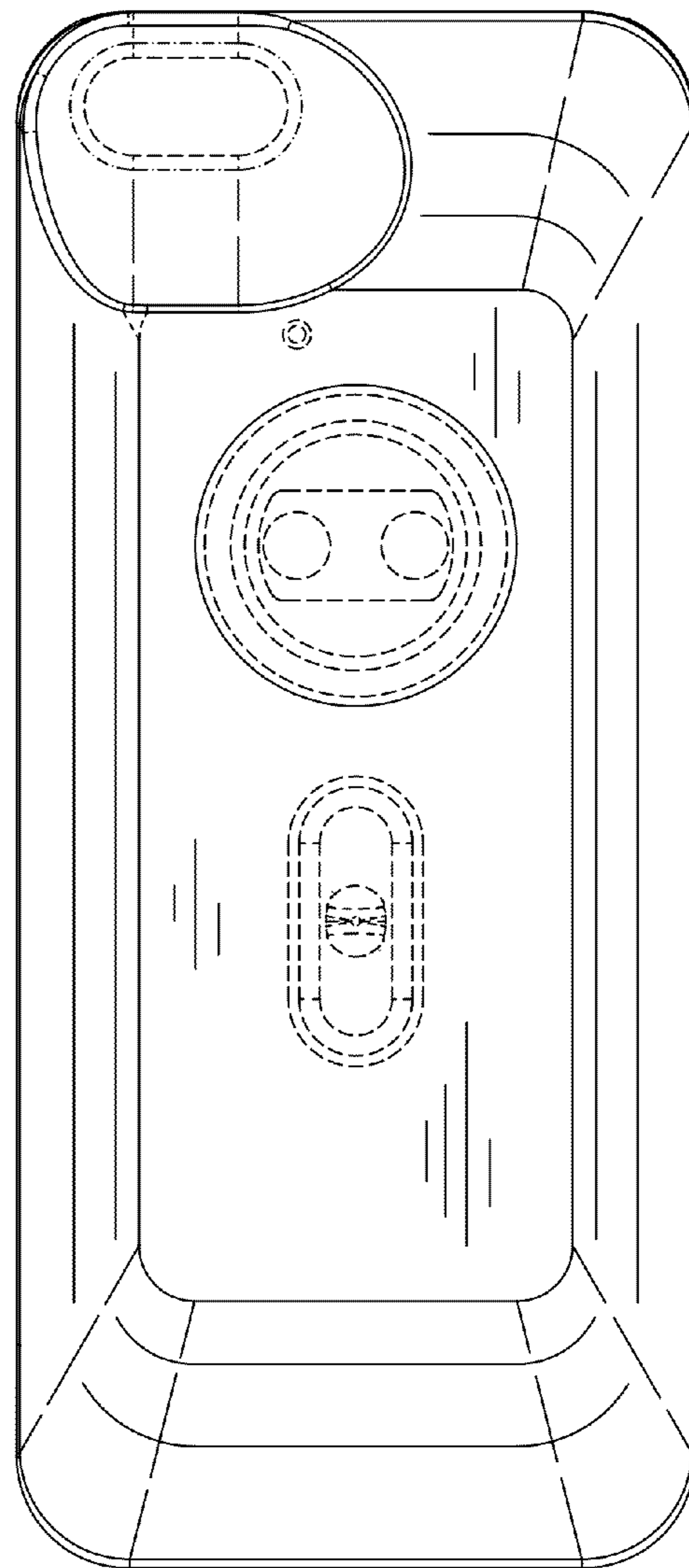


FIG. 2

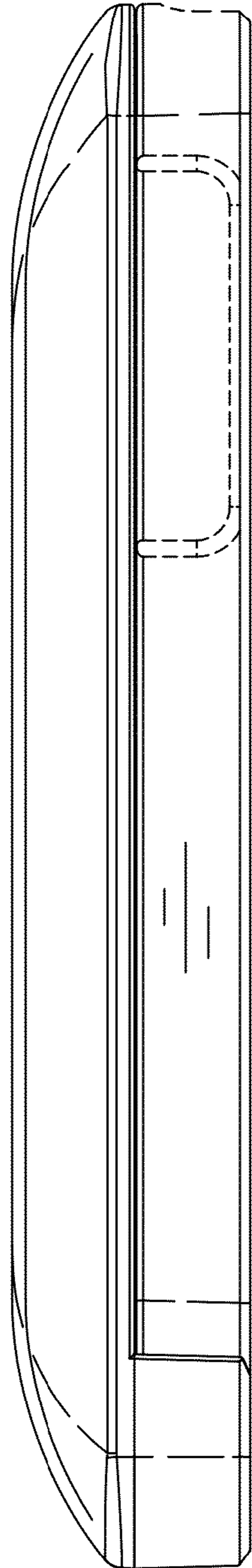


FIG. 3

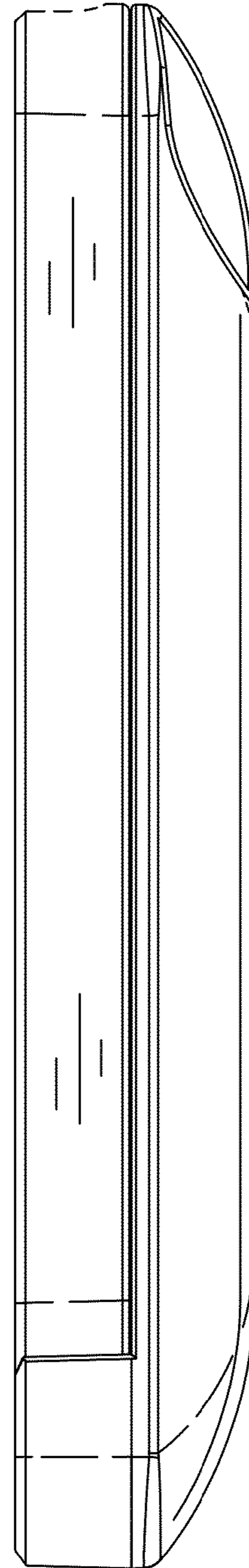


FIG. 4

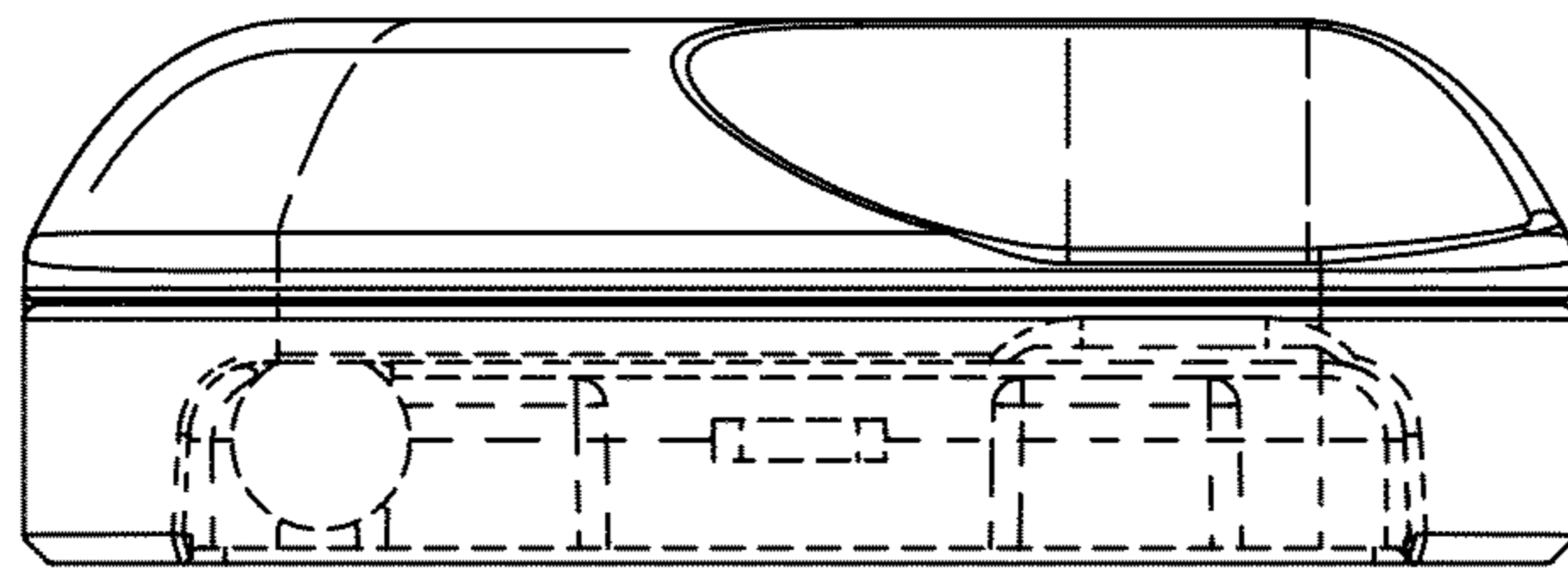


FIG. 5

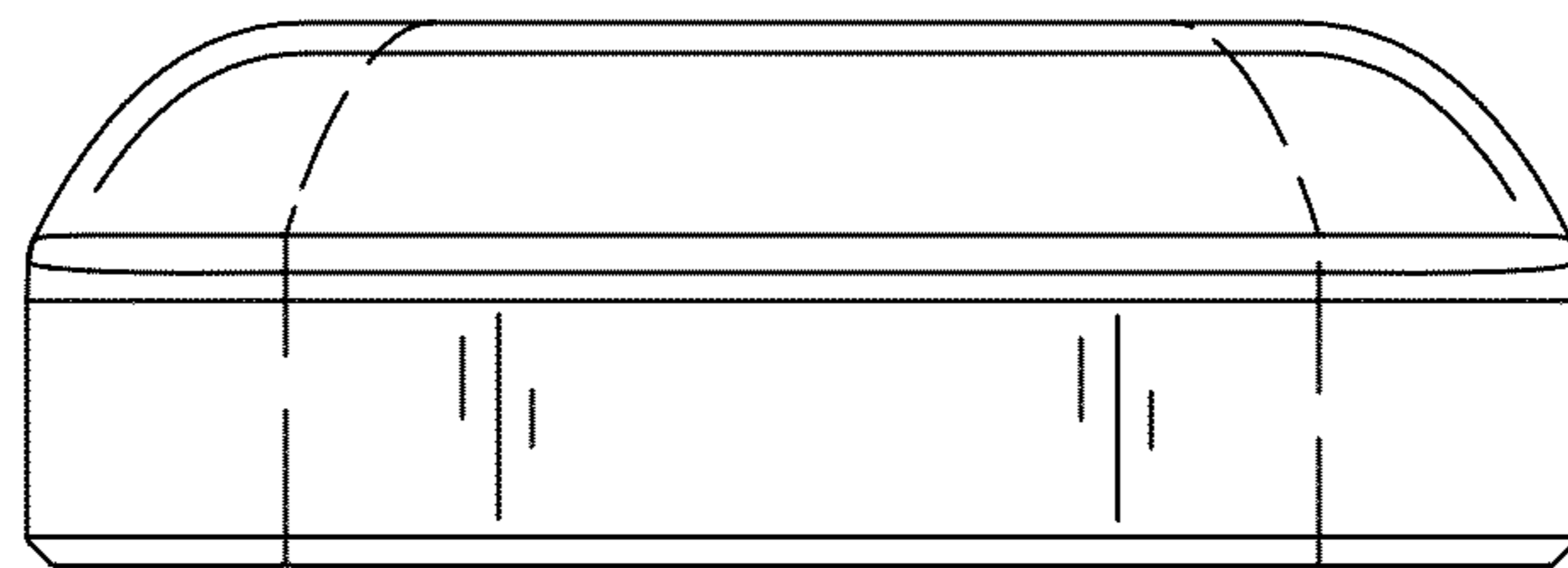


FIG. 6

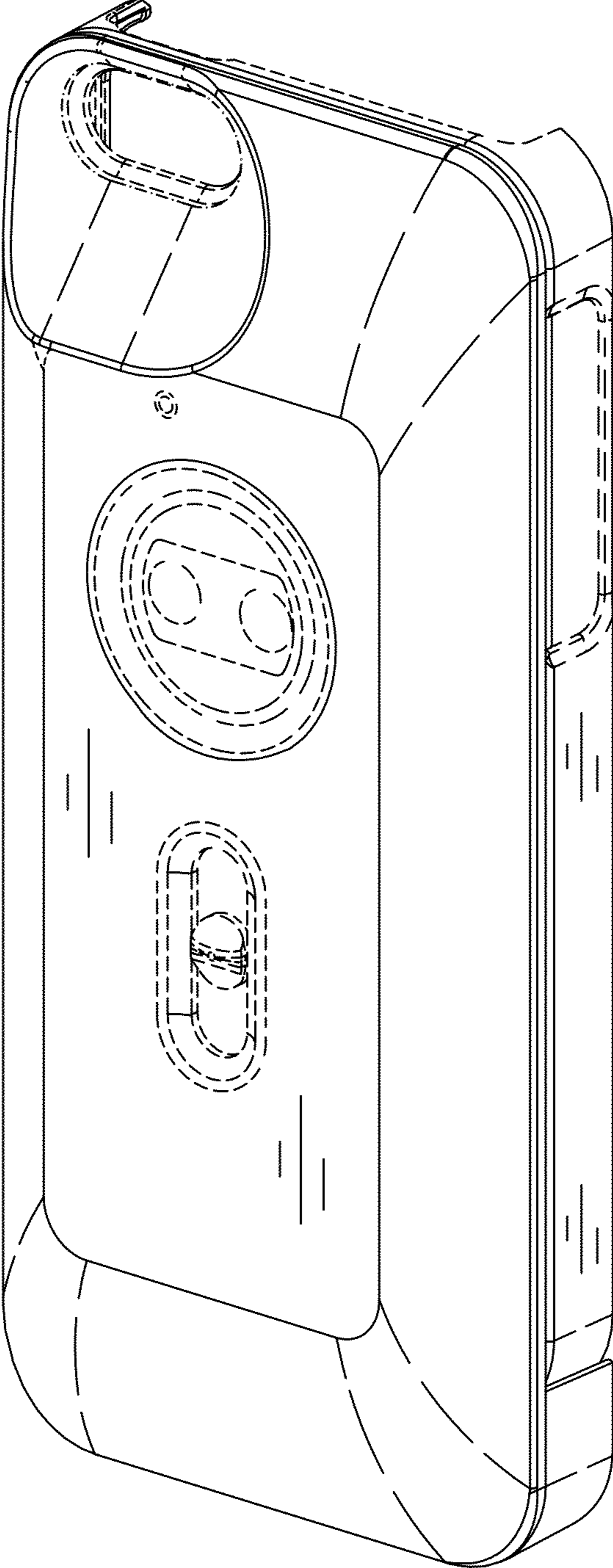


FIG. 7

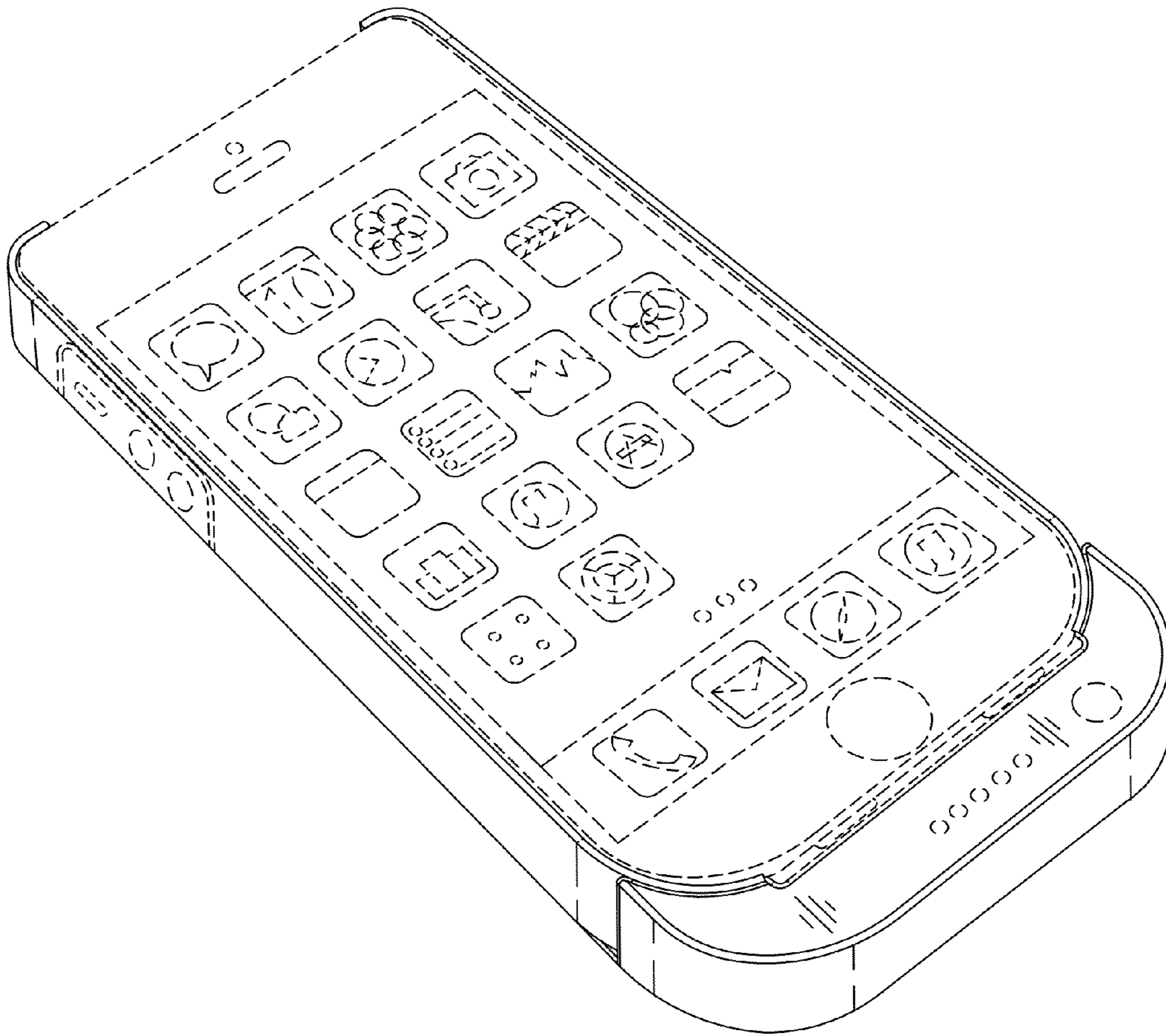


FIG. 8

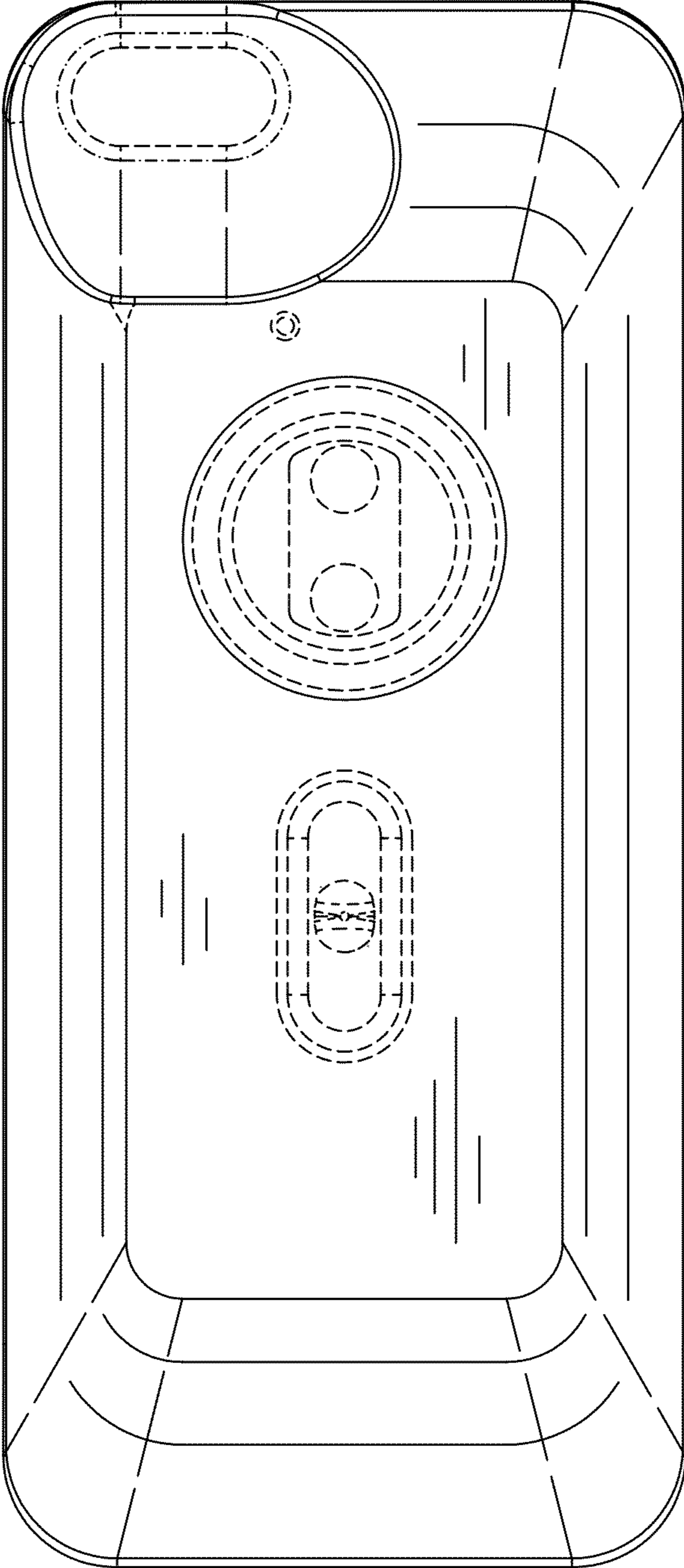


FIG. 9