



US00D760204S

(12) **United States Design Patent**  
**Wise et al.**

(10) **Patent No.:** **US D760,204 S**  
(45) **Date of Patent:** **\*\* Jun. 28, 2016**

(54) **MICROPHONE**

(71) Applicant: **GIBSON BRANDS, INC.**, Nashville, TN (US)  
(72) Inventors: **Bernard Wise**, Agoura, CA (US); **Martins Saulespurens**, Thousand Oaks, CA (US); **Martin Wolf**, Valencia, CA (US)  
(73) Assignee: **Gibson Brands, Inc.**, Nashville, TN (US)  
(\*\*) Term: **14 Years**  
(21) Appl. No.: **29/513,786**  
(22) Filed: **Jan. 5, 2015**  
(51) **LOC (10) Cl.** ..... **14-01**  
(52) **U.S. Cl.**  
USPC ..... **D14/227**; D14/228

(58) **Field of Classification Search**  
USPC ..... D14/225-229; D26/142, 145, 135, 139, D26/119, 137, 138; D6/675.1, 677.2, 681.1, D6/681; D24/128; D23/411, 419, 378, D23/382; 362/287; 381/363, 355; 181/158; 288/188.7, 188.8  
CPC ..... H04R 1/00  
See application file for complete search history.

(56) **References Cited**

**U.S. PATENT DOCUMENTS**

963,913 A \* 7/1910 Lyhne ..... F16M 11/24  
248/124.2  
D48,570 S \* 2/1916 Noble ..... D23/382  
1,725,932 A \* 8/1929 Pfaff, Sr. .... A47G 23/03  
248/687  
D104,261 S \* 4/1937 Heller ..... D23/411  
2,131,593 A \* 9/1938 Marshall ..... H04R 1/083  
181/148  
2,188,150 A \* 1/1940 Malat ..... H04M 1/15  
248/185.1

D120,924 S \* 6/1940 Steber ..... D26/119  
2,263,668 A \* 11/1941 Woodworth ..... H04R 1/08  
362/239  
D135,320 S \* 3/1943 Dann ..... 381/363  
2,336,828 A \* 12/1943 Zarth ..... H04R 25/04  
381/104  
D150,457 S \* 8/1948 Pike ..... D14/227  
2,530,685 A \* 11/1950 Davis ..... B60Q 1/18  
359/892  
2,623,957 A \* 12/1952 Cragg ..... H04M 1/11  
181/242  
2,643,729 A \* 6/1953 McCracken ..... H04R 5/027  
181/158  
D179,540 S \* 1/1957 Knechtberger ..... 248/185.1  
2,969,436 A \* 1/1961 Kilyk ..... H04R 1/08  
381/363  
2,984,713 A \* 5/1961 Swinehart ..... H04M 1/03  
200/52 R  
3,005,905 A \* 10/1961 Libson ..... F21V 33/00  
362/294  
3,053,339 A \* 9/1962 Kishi ..... H04R 1/083  
181/158  
D194,151 S \* 11/1962 Deschamps ..... D14/228  
3,414,686 A \* 12/1968 Reinthaler ..... H04R 1/08  
181/242

(Continued)

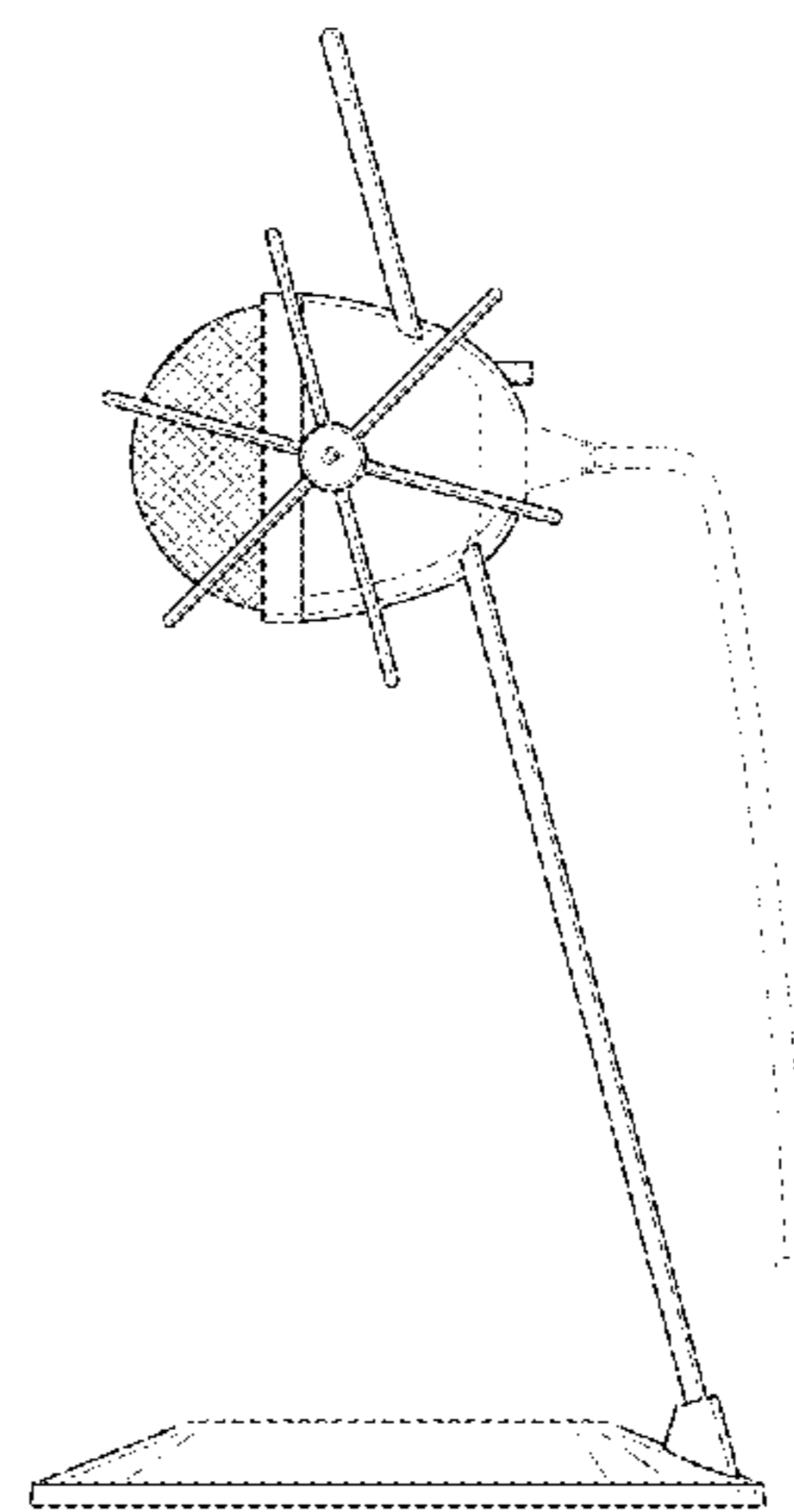
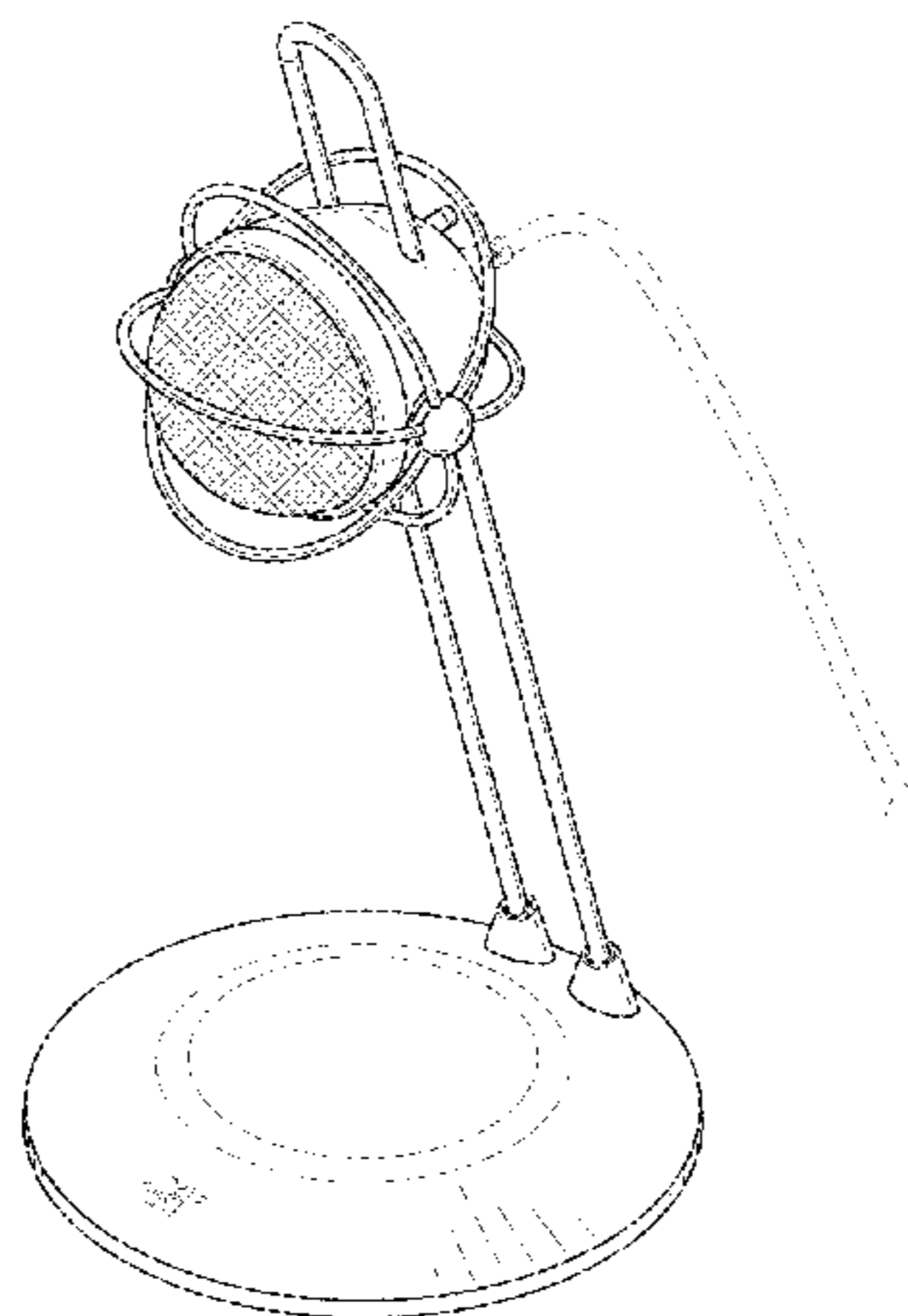
*Primary Examiner* — Paula Greene  
(74) *Attorney, Agent, or Firm* — Bates & Bates, LLC

(57) **CLAIM**  
What is claimed is the ornamental design for a microphone, as shown and described.

**DESCRIPTION**

FIG. 1 is a perspective view of a microphone;  
FIG. 2 is a front view of the microphone;  
FIG. 3 is a back view of the microphone;  
FIG. 4 left side view of the microphone;  
FIG. 5 is a right side view of the microphone;  
FIG. 6 is a top view of the microphone;  
FIG. 7 is a bottom view of the microphone; and,  
FIG. 8 is an alternative perspective view of the microphone.  
The broken lines form no part of the claimed design.

**1 Claim, 8 Drawing Sheets**



(56)

**References Cited**

U.S. PATENT DOCUMENTS

3,488,456 A *	1/1970	Maki	.....	H04R 1/08 381/363	5,799,096 A *	8/1998	Liao	.....	H04R 1/083 381/355
D262,535 S *	1/1982	Fisher	.....	D14/229	5,805,709 A *	9/1998	Liou	.....	H04R 1/08 381/355
4,361,737 A *	11/1982	Peterson	.....	H04R 1/04 200/18	6,113,250 A *	9/2000	Lin	.....	F21S 6/003 362/287
5,048,789 A *	9/1991	Eason	.....	F16M 11/00 248/188.7	D535,645 S *	1/2007	Probst	.....	D14/225
5,497,965 A *	3/1996	Mathieu, Jr.	.....	F16M 11/00 248/159	D550,895 S *	9/2007	Huang	.....	D26/142
D387,770 S *	12/1997	Liao	.....	D14/227	D551,661 S *	9/2007	Probst	.....	D14/225
					7,412,069 B2 *	8/2008	Workman	.....	H04R 1/08 381/363
					D589,029 S *	3/2009	Lee	.....	D14/207

\* cited by examiner

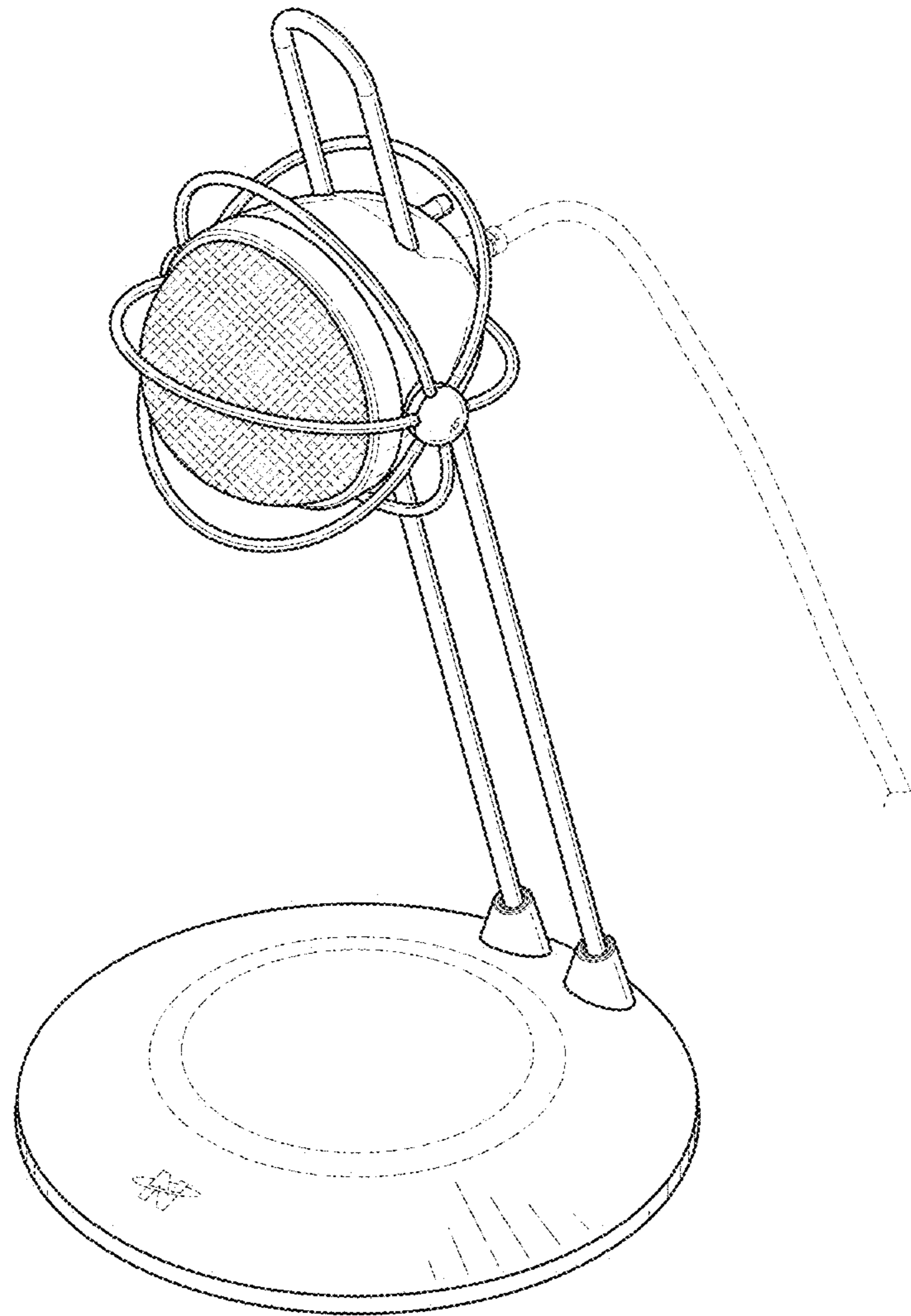


FIG. 1

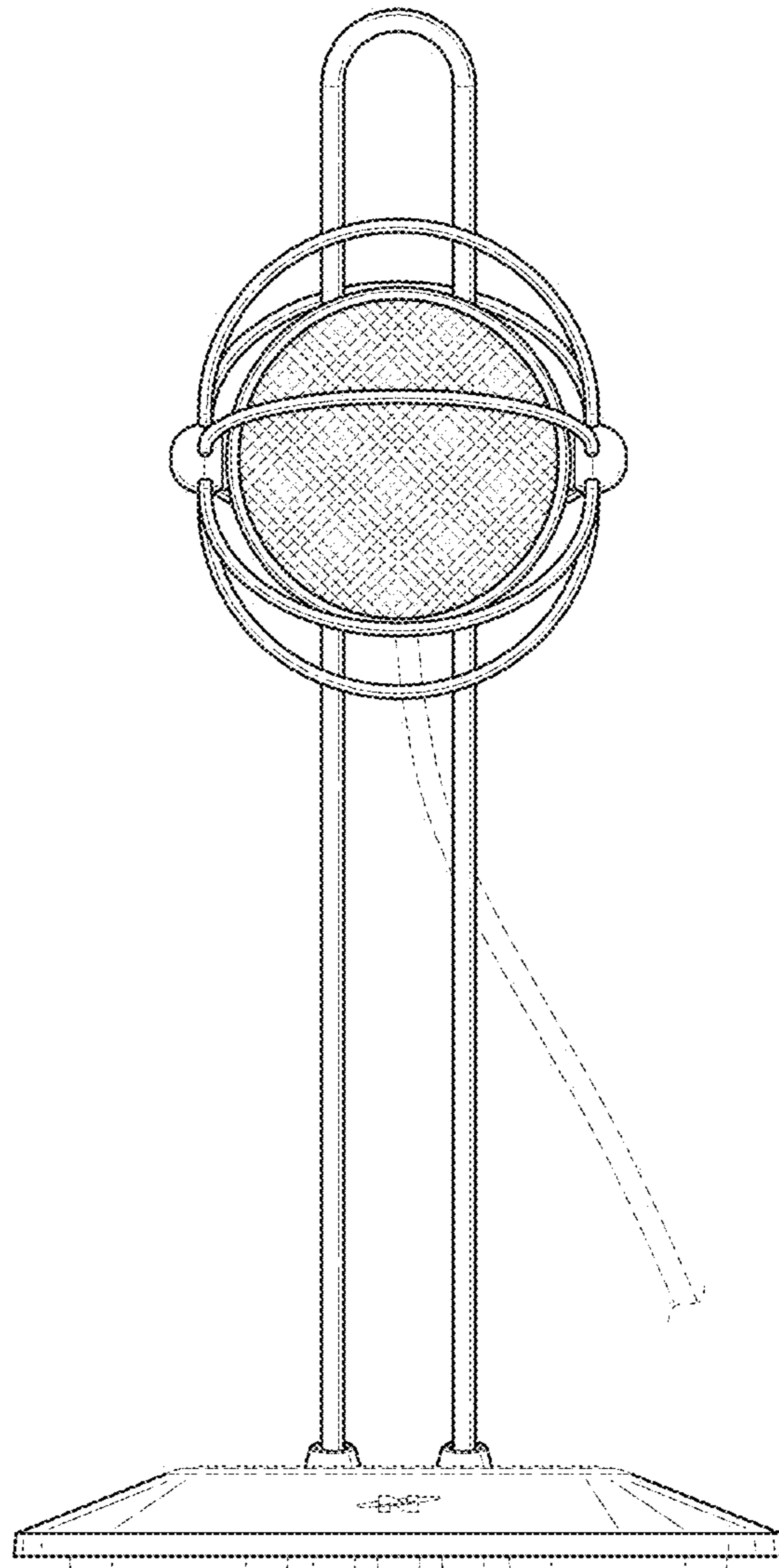


FIG. 2

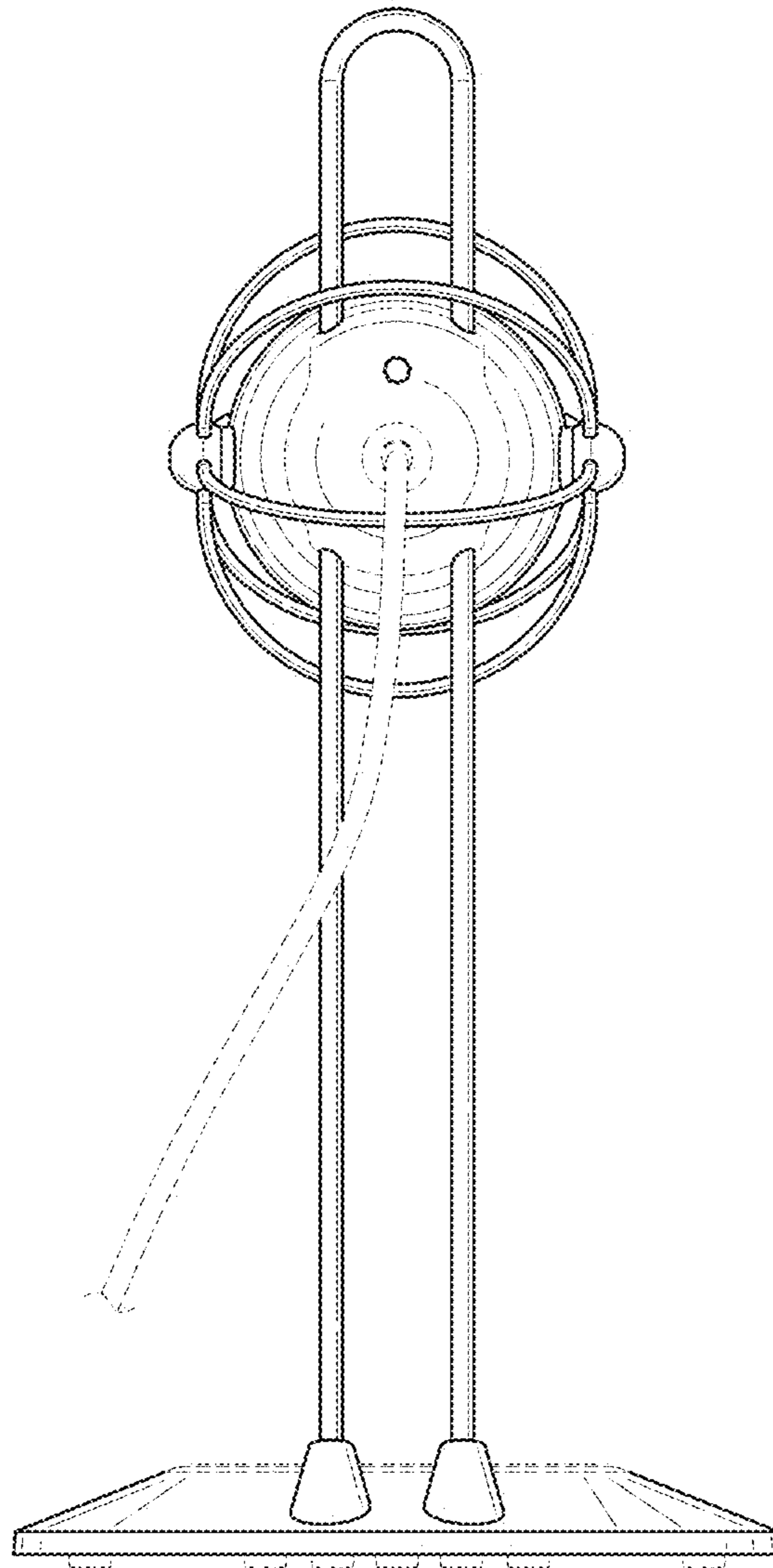


FIG. 3

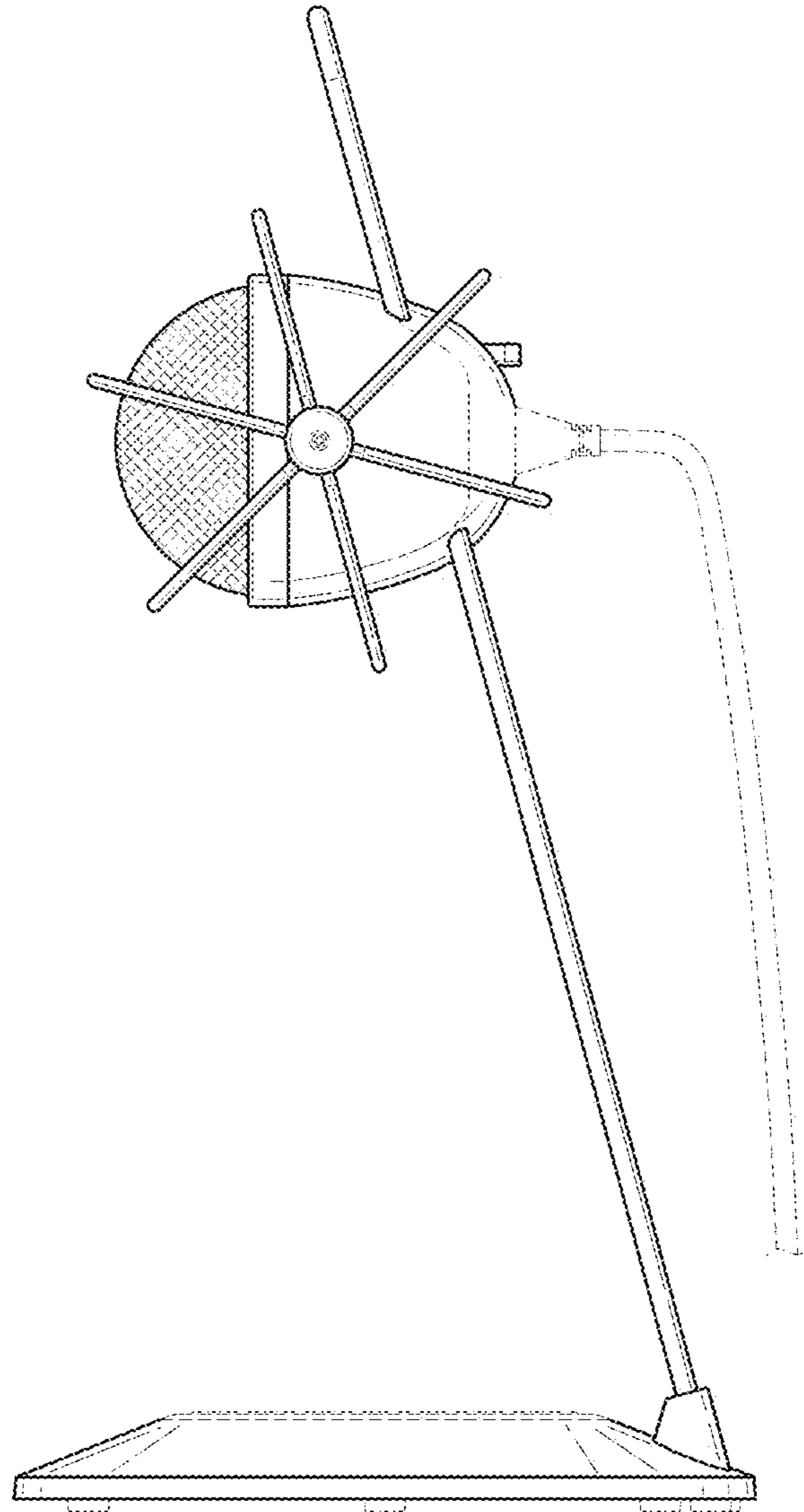


FIG. 4

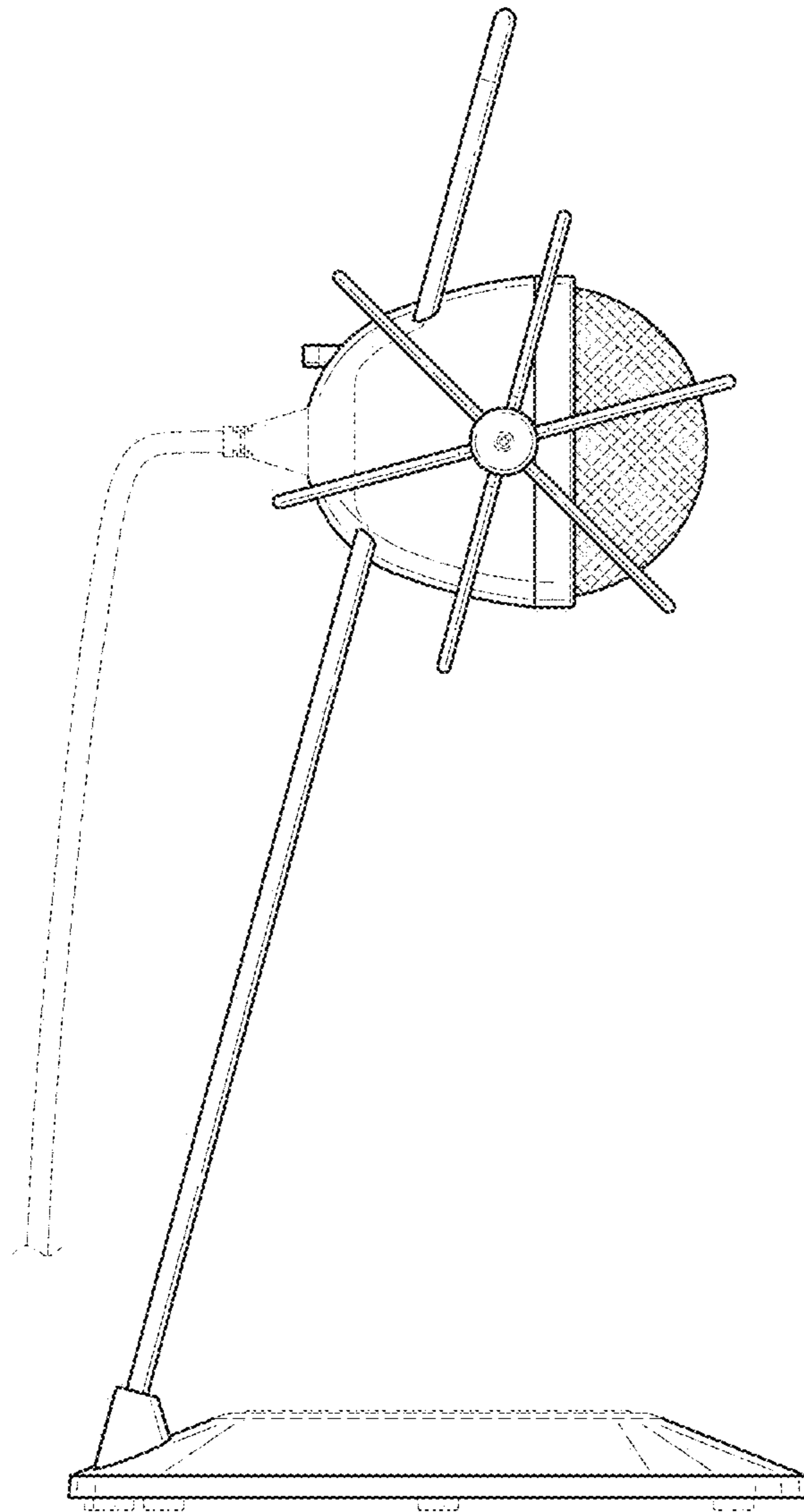


FIG. 5

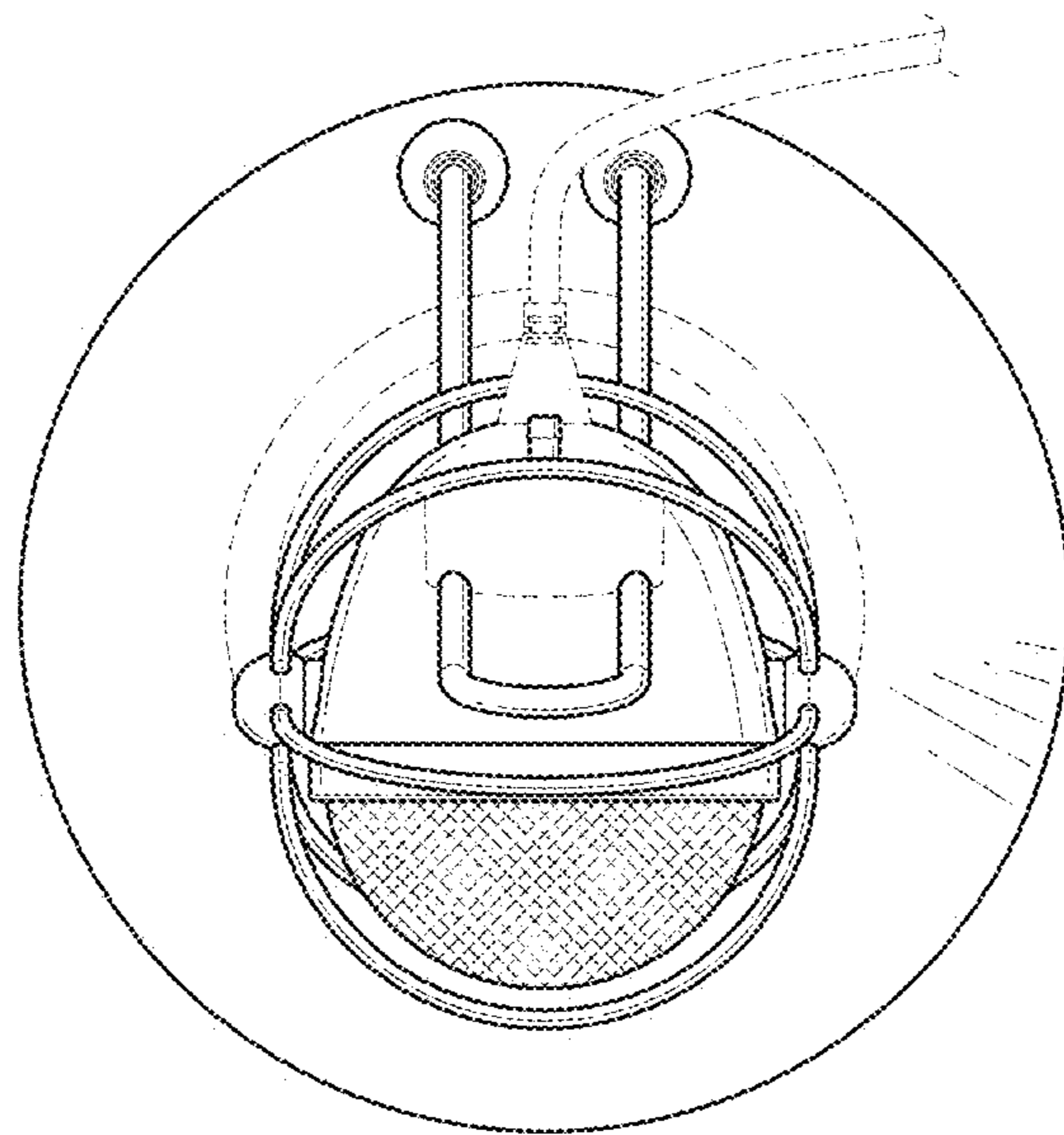


FIG. 6



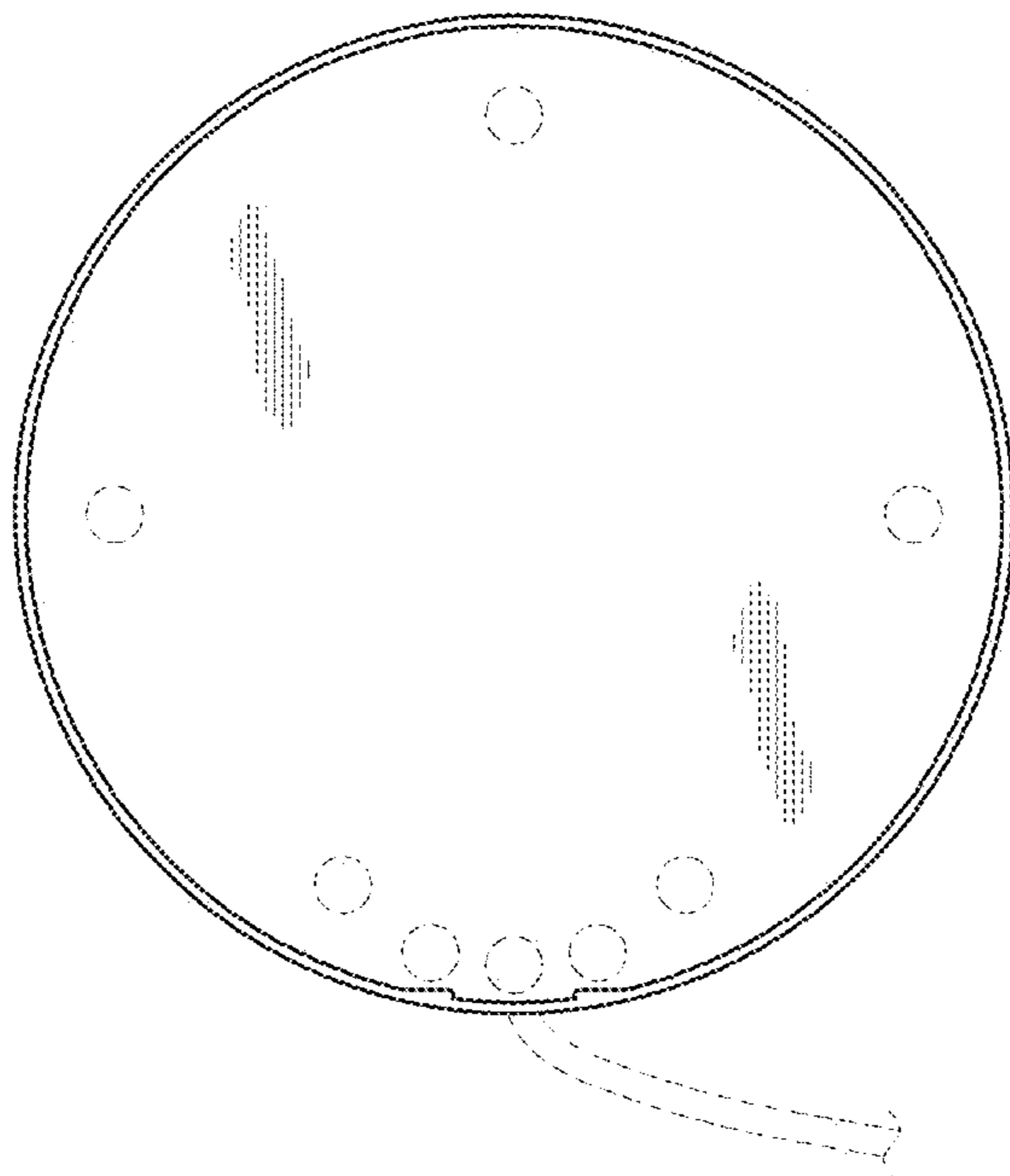


FIG. 7

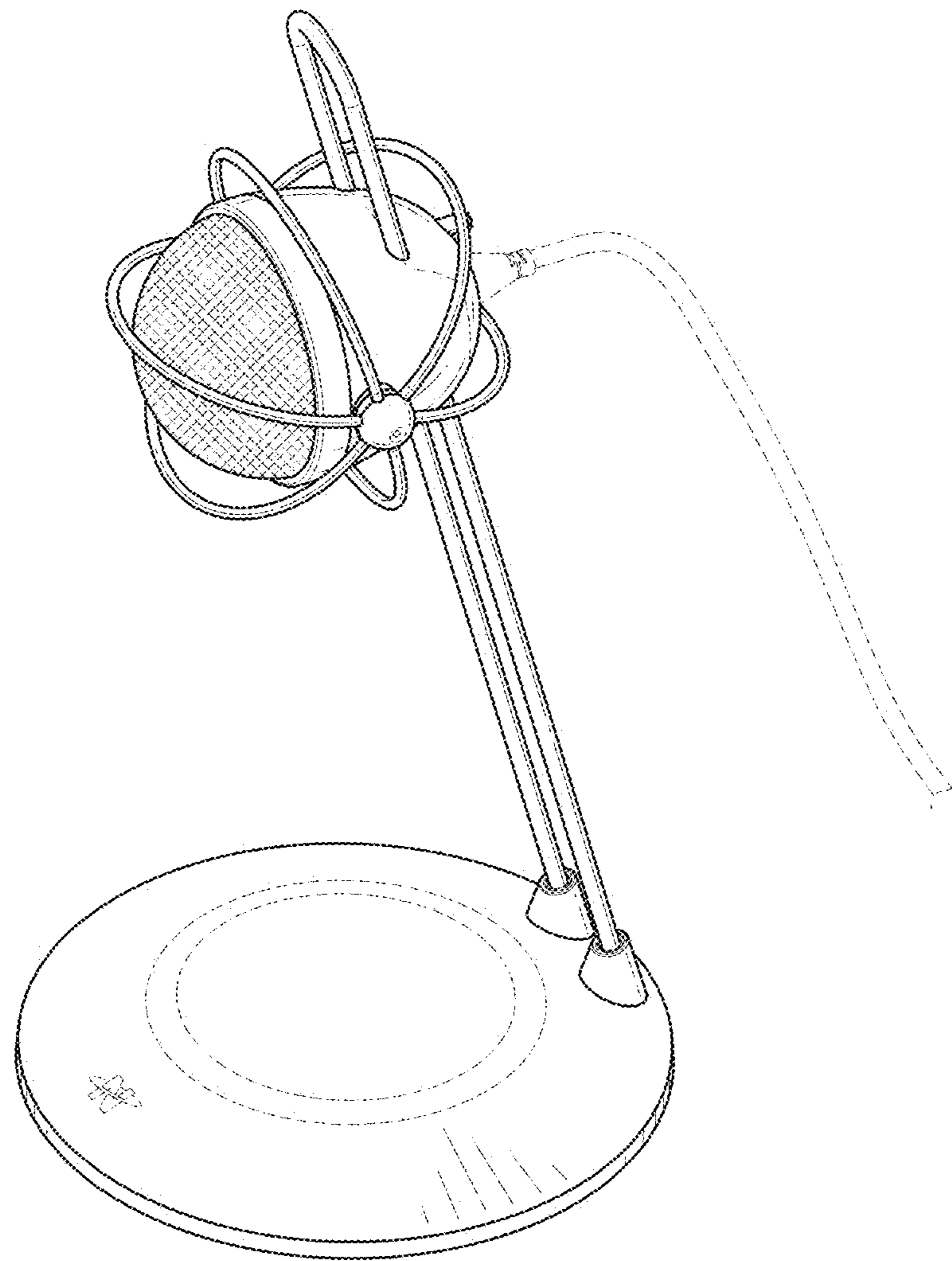


FIG. 8