



US00D760202S

(12) **United States Design Patent**  
**Hsieh et al.**

(10) **Patent No.:** **US D760,202 S**  
(45) **Date of Patent:** **\*\* Jun. 28, 2016**

- (54) **EARPHONE**
- (71) Applicant: **IMORE INC.**, Shenzhen (CN)
- (72) Inventors: **Kuanhong Hsieh**, Guangdong (CN);  
**Boqing Lin**, Shenzhen (CN); **YunLiang Chen**, Shenzhen (CN); **Yonghui Hu**, Shenzhen (CN)
- (73) Assignee: **IMORE INC.**, Shenzhen (CN)
- (\*\*) Term: **14 Years**
- (21) Appl. No.: **29/521,139**
- (22) Filed: **Mar. 20, 2015**
- (51) **LOC (10) Cl.** ..... **14-01**
- (52) **U.S. Cl.**  
USPC ..... **D14/223**
- (58) **Field of Classification Search**  
USPC ..... D14/205, 223; 181/129, 130, 135;  
381/380, 381, 370, 322; 455/90.1,  
455/575.1  
CPC ..... H04R 1/10  
See application file for complete search history.

|                |         |             |       |                        |
|----------------|---------|-------------|-------|------------------------|
| D579,005 S *   | 10/2008 | Wilhelmsen  | ..... | D14/223                |
| D587,681 S *   | 3/2009  | Yanai       | ..... | D14/205                |
| D587,685 S *   | 3/2009  | Densho      | ..... | D14/206                |
| D589,498 S *   | 3/2009  | Komiyama    | ..... | D14/223                |
| D598,894 S *   | 8/2009  | Masuda      | ..... | D14/205                |
| D627,764 S *   | 11/2010 | Tsai        | ..... | D14/223                |
| D628,564 S *   | 12/2010 | Chong       | ..... | D14/223                |
| D642,163 S *   | 7/2011  | Lee         | ..... | D14/223                |
| D643,416 S *   | 8/2011  | Chong       | ..... | D14/223                |
| D647,081 S *   | 10/2011 | Kwon        | ..... | D14/223                |
| D660,290 S *   | 5/2012  | Weedon      | ..... | D14/223                |
| 8,391,536 B2 * | 3/2013  | Hashimoto   | ..... | H04R 1/1016<br>381/370 |
| D680,102 S *   | 4/2013  | Chen        | ..... | D14/223                |
| D718,286 S *   | 11/2014 | Yang        | ..... | D14/223                |
| D746,268 S *   | 12/2015 | Karayiannis | ..... | D14/223                |
| D746,792 S *   | 1/2016  | Kim         | ..... | D14/205                |

\* cited by examiner

*Primary Examiner* — Paula Greene  
(74) *Attorney, Agent, or Firm* — Polsinelli PC

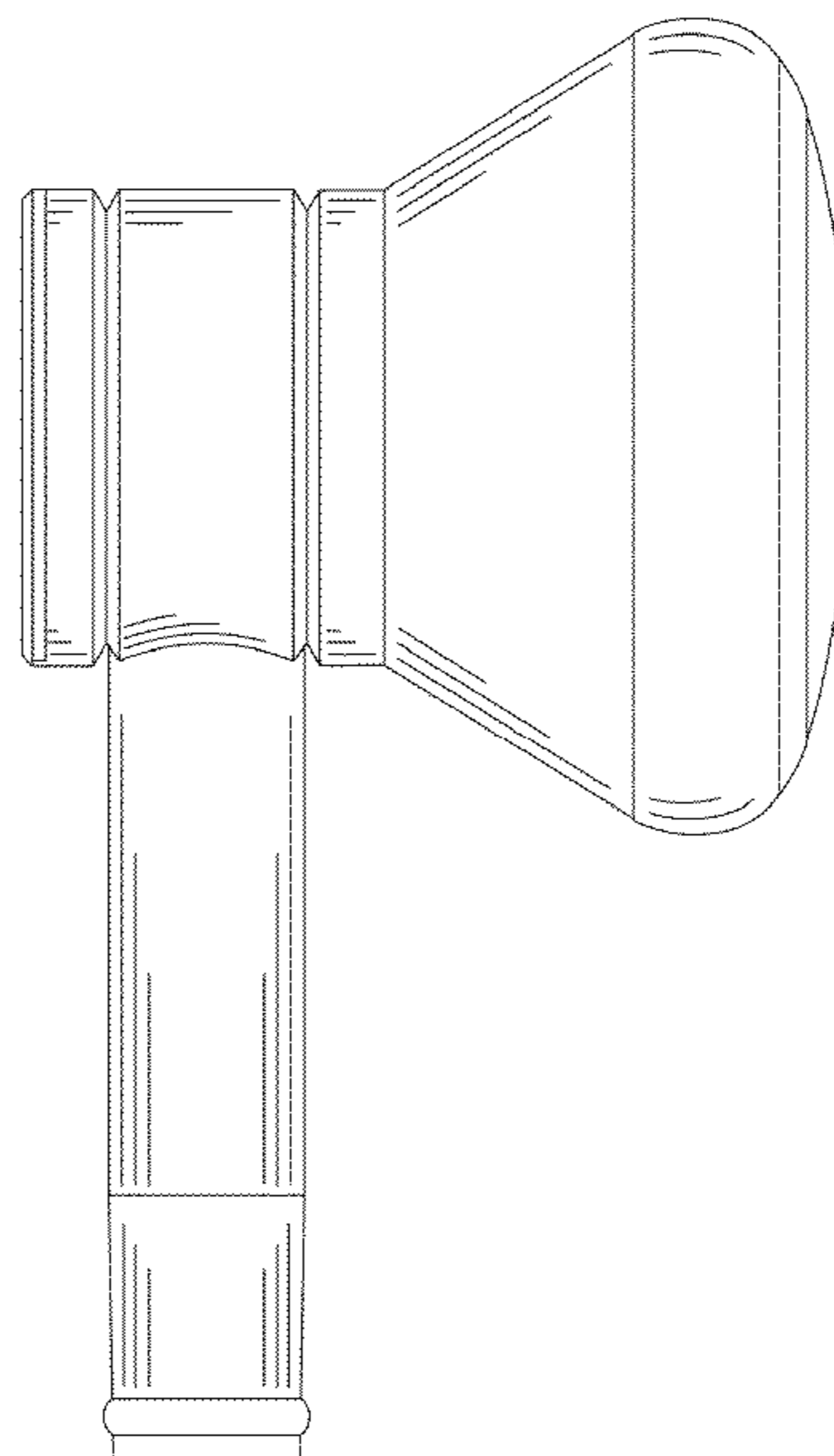
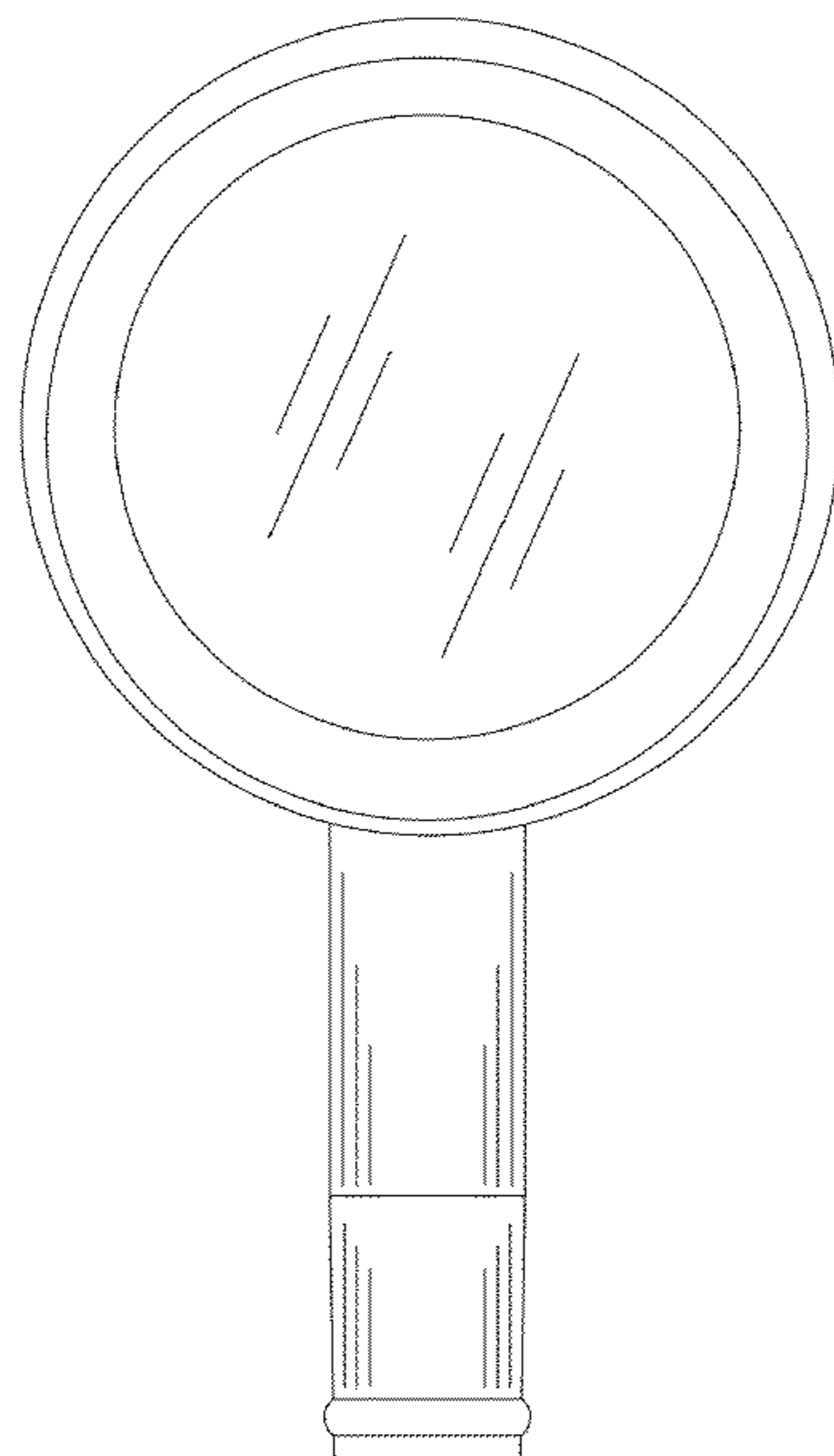
(57) **CLAIM**  
The ornamental design for an earphone, as shown and described.

**DESCRIPTION**

FIG. 1 is a front elevational view of an earphone showing my new design;  
FIG. 2 is a rear elevational view thereof;  
FIG. 3 is a left-side elevational view thereof;  
FIG. 4 is a right-side elevational view thereof;  
FIG. 5 is a top plan view thereof;  
FIG. 6 is a bottom plan view thereof; and,  
FIG. 7 is a perspective view thereof.  
The broken lines in the figures show portions of the earphone and form no part of the claimed design.

**1 Claim, 7 Drawing Sheets**

- (56) **References Cited**  
U.S. PATENT DOCUMENTS
- 5,410,608 A \* 4/1995 Lucey ..... H04R 1/083  
381/360
- D531,169 S \* 10/2006 Tokioka ..... D14/223
- D539,268 S \* 3/2007 Suzuki ..... D14/206
- D554,627 S \* 11/2007 Gondo ..... D14/223
- D556,741 S \* 12/2007 Yeo ..... D14/205
- D567,217 S \* 4/2008 Kamo ..... D14/205
- D572,703 S \* 7/2008 Ledbetter ..... D14/205
- D573,978 S \* 7/2008 Ledbetter ..... D14/205
- D576,154 S \* 9/2008 Ledbetter ..... D14/223



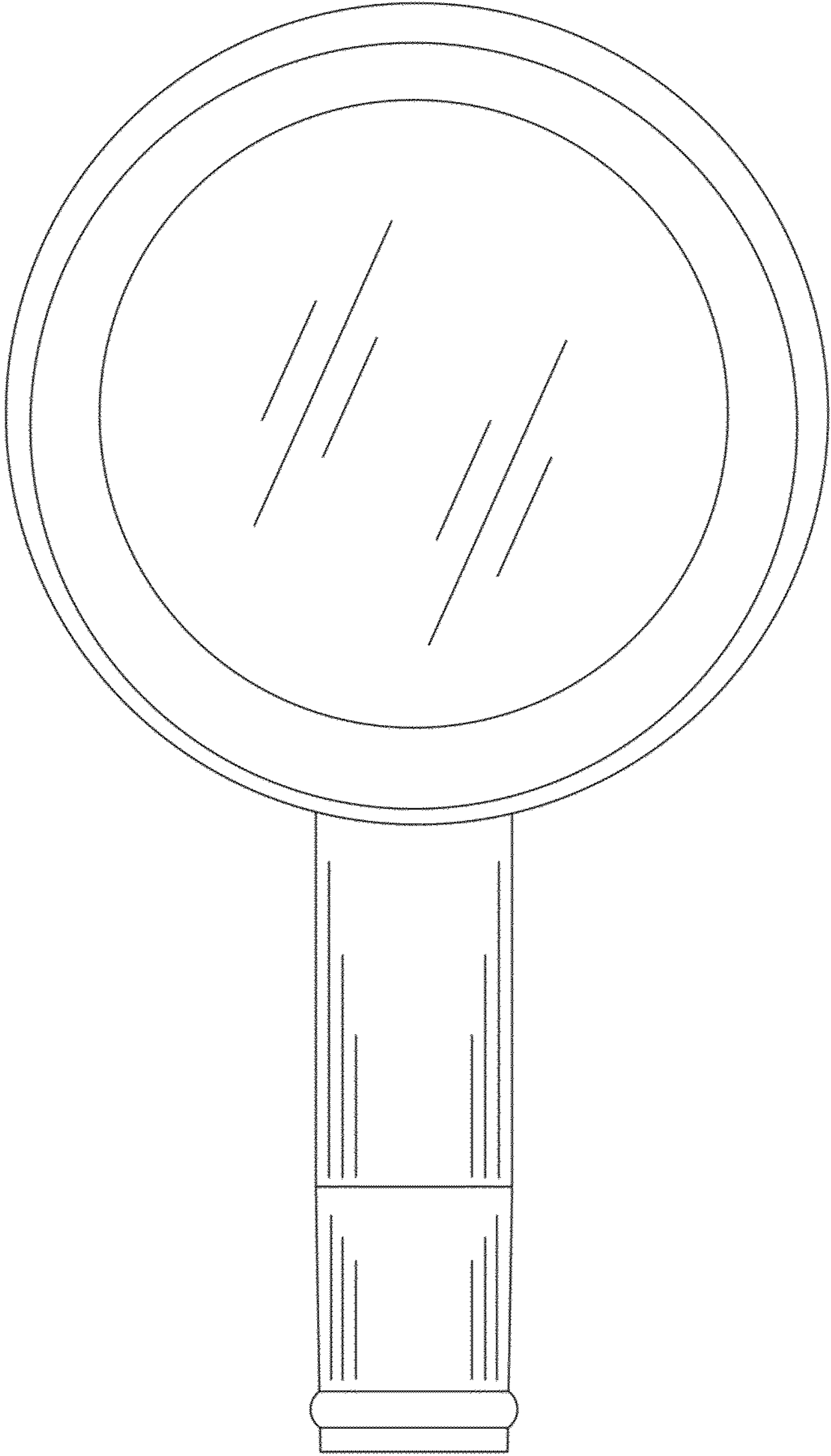


FIG. 1

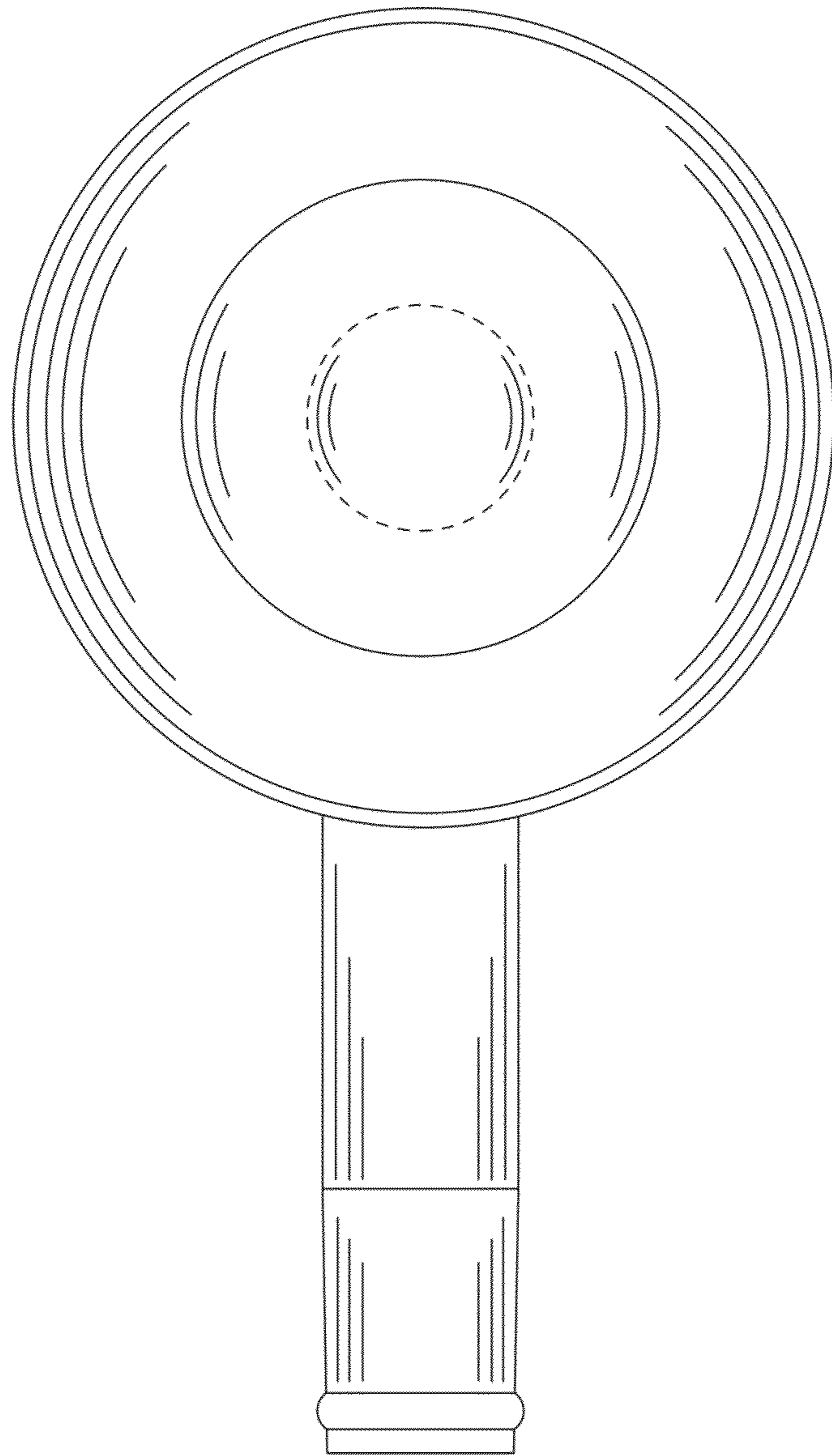


FIG. 2

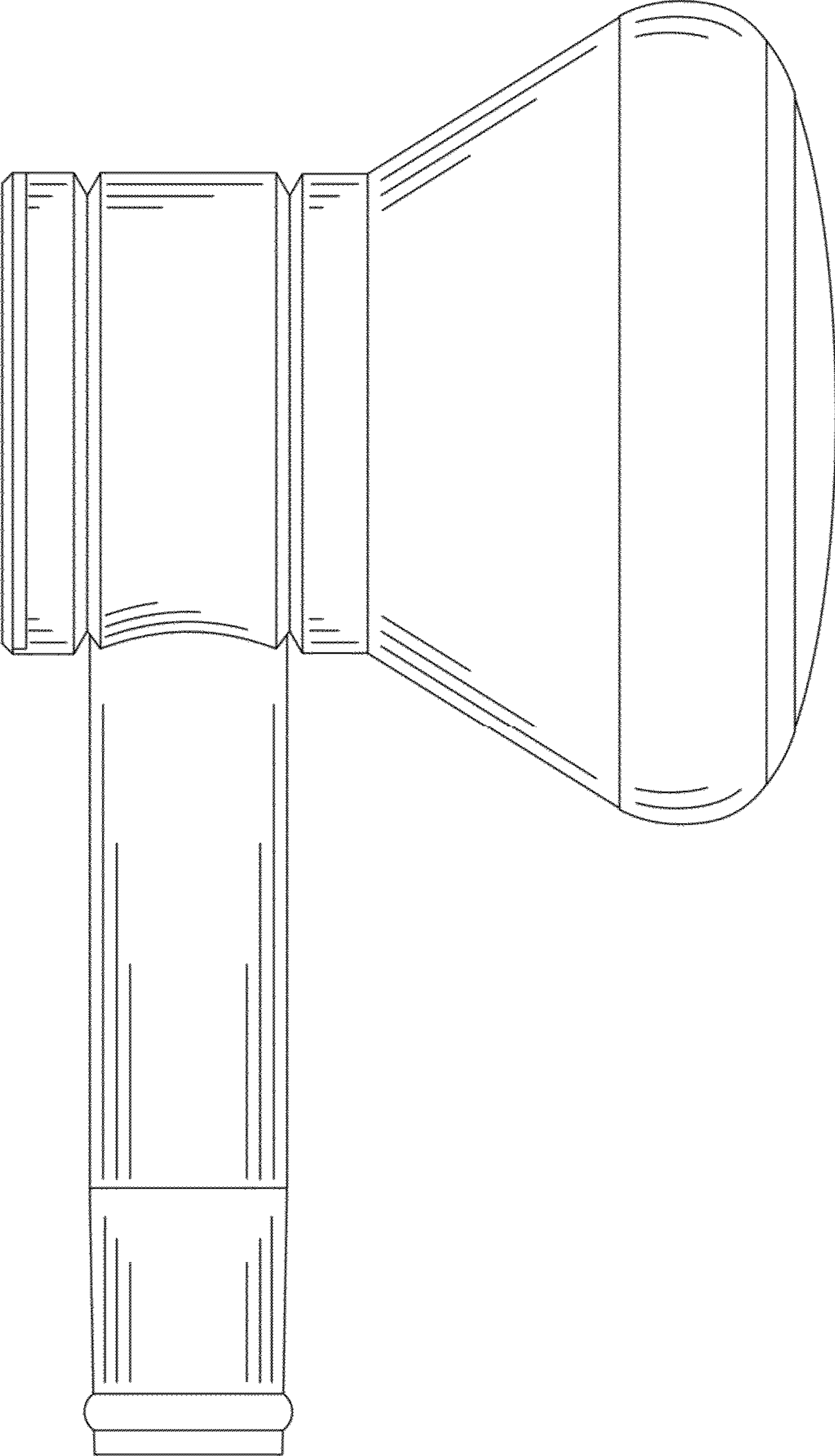


FIG. 3



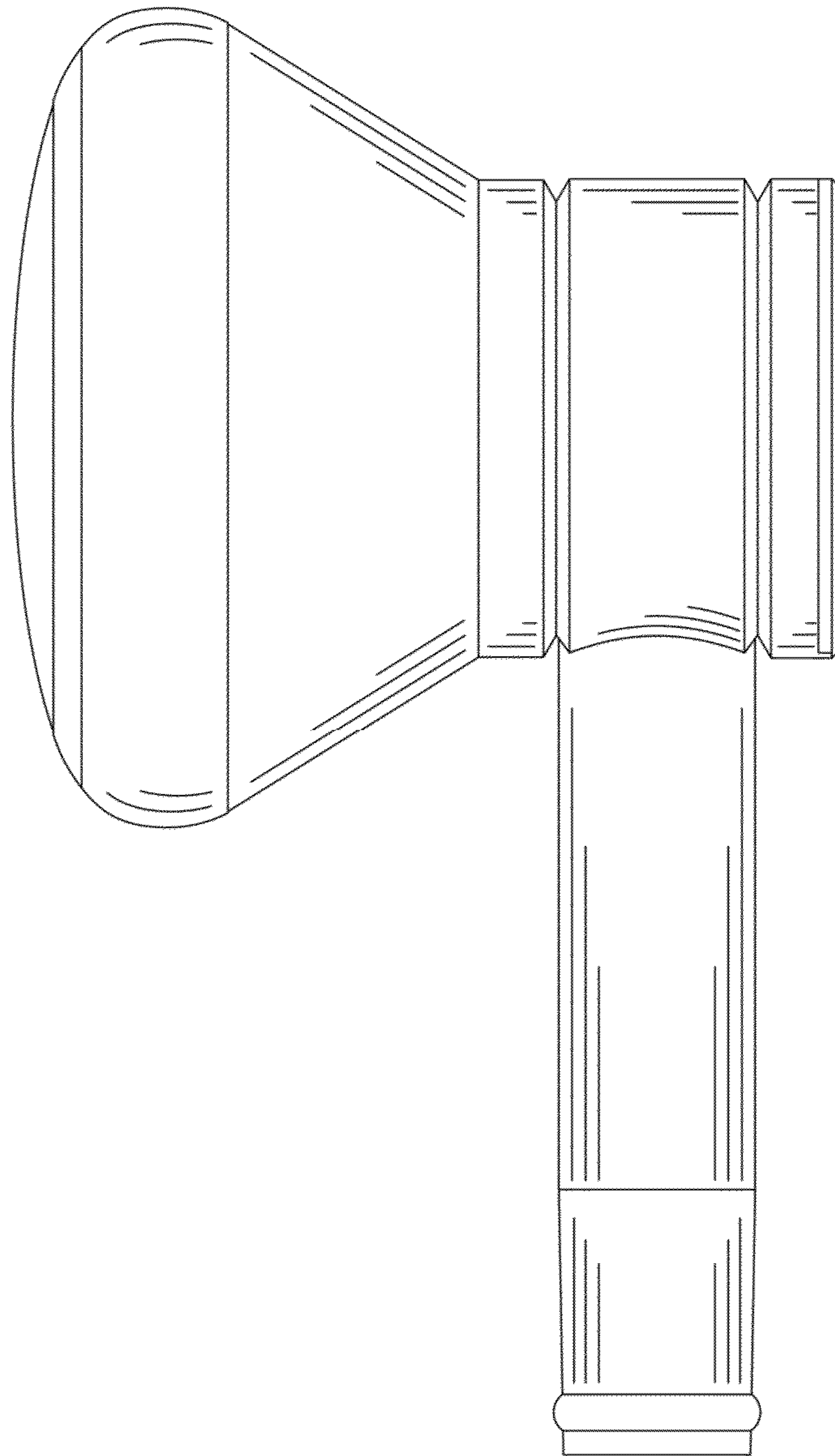


FIG. 4

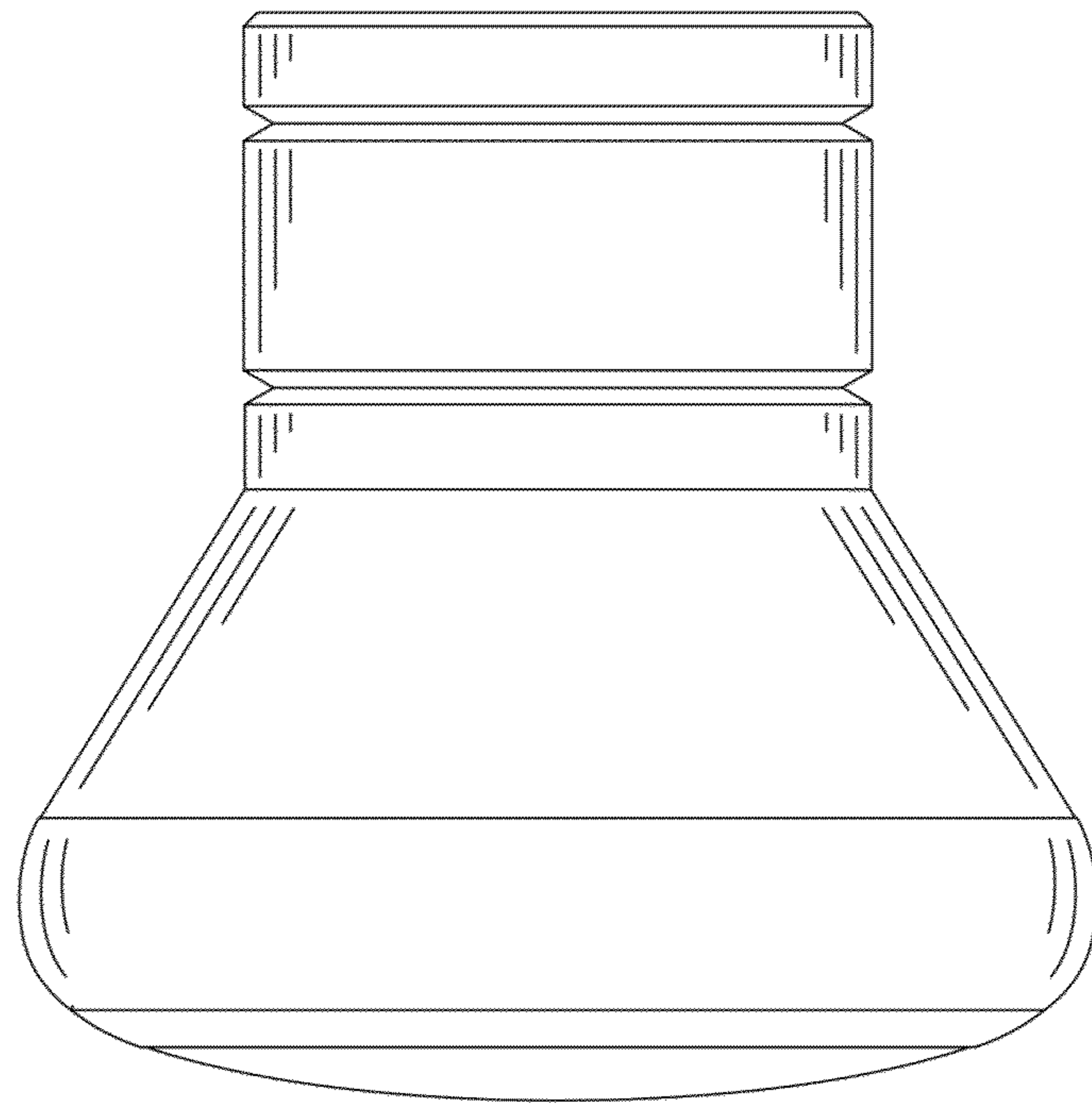


FIG. 5

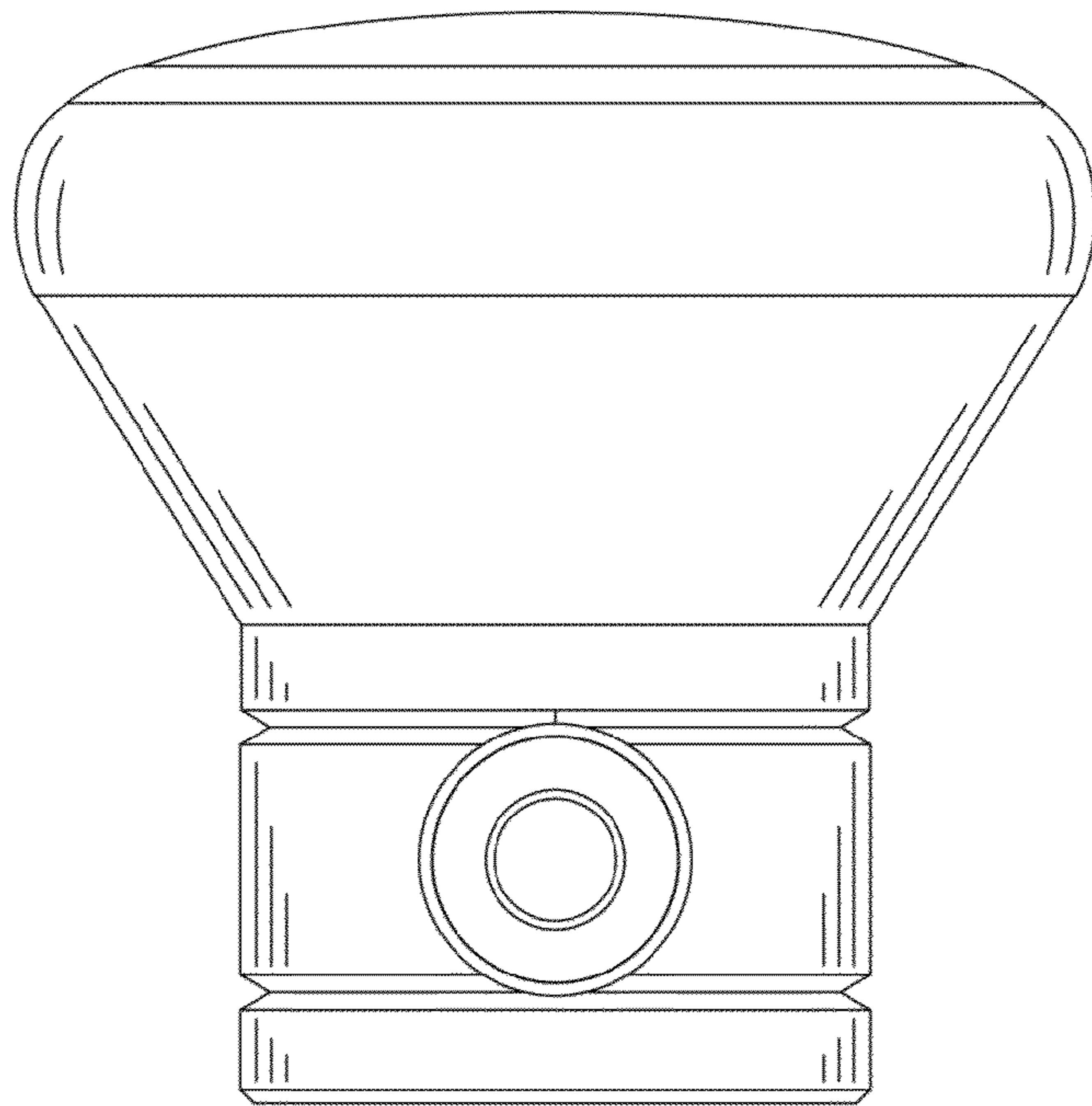


FIG. 6

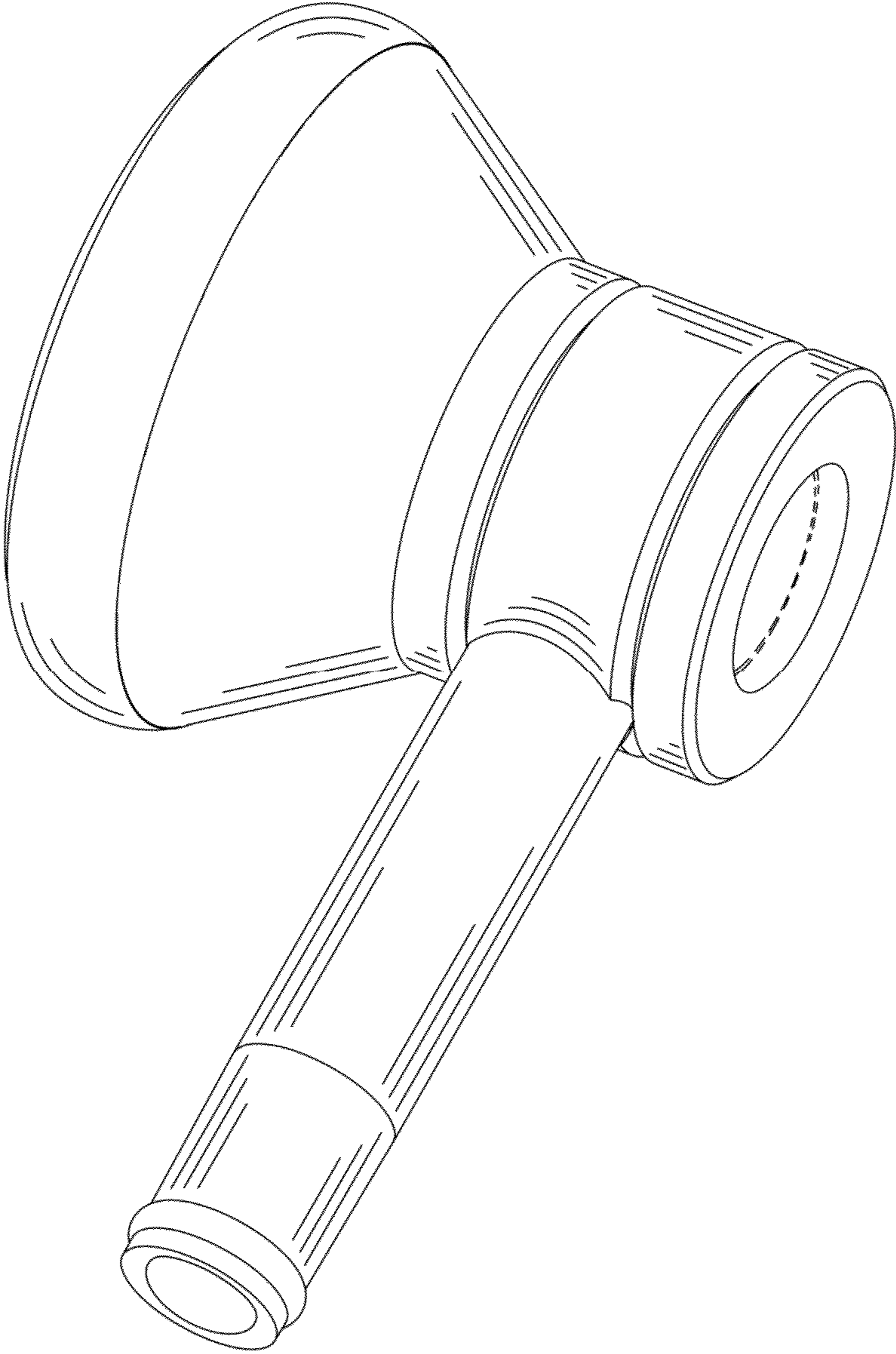


FIG. 7