

US00D760197S

(12) **United States Design Patent**
Huebner

(10) **Patent No.:** **US D760,197 S**
(45) **Date of Patent:** **** Jun. 28, 2016**

(54) **REMOTE CONTROLLER FOR COORDINATE INPUT DEVICE**

D697,057 S * 1/2014 Kwon D14/218
D709,480 S * 7/2014 Kim D14/218
D743,944 S * 11/2015 Karrman D14/218

(71) Applicant: **Wacom Co., Ltd.**, Kazo-shi, Saitama (JP)

FOREIGN PATENT DOCUMENTS

(72) Inventor: **Volker Huebner**, Erkrath (DE)

JP D1291615 S 1/2007
JP D1463106 S 2/2013
JP D1467238 S 4/2013

(73) Assignee: **Wacom Co., Ltd.**, Kazo-shi (JP)

* cited by examiner

(**) Term: **14 Years**

Primary Examiner — Ralf Seifert

(21) Appl. No.: **29/517,585**

(74) *Attorney, Agent, or Firm* — Christensen O'Connor Johnson Kindness PLLC

(22) Filed: **Feb. 13, 2015**

(57) **CLAIM**

The ornamental design for a remote controller for coordinate input device, as shown and described.

(30) **Foreign Application Priority Data**

DESCRIPTION

Sep. 3, 2014 (JP) 2014-19367

(51) **LOC (10) CL.** **14-03**

(52) **U.S. CL.**
USPC **D14/218**

(58) **Field of Classification Search**
USPC D14/137, 174, 217–218, 240, 247,
D14/388–390, 396, 511; D21/516;
D13/162–164, 168; 715/738; 434/350;
600/323; 348/211.99, 14.05, 114, 734;
341/175–176; 455/575.1
CPC G08C 23/04; G08C 19/12; H04N 5/44;
H04L 17/02

See application file for complete search history.

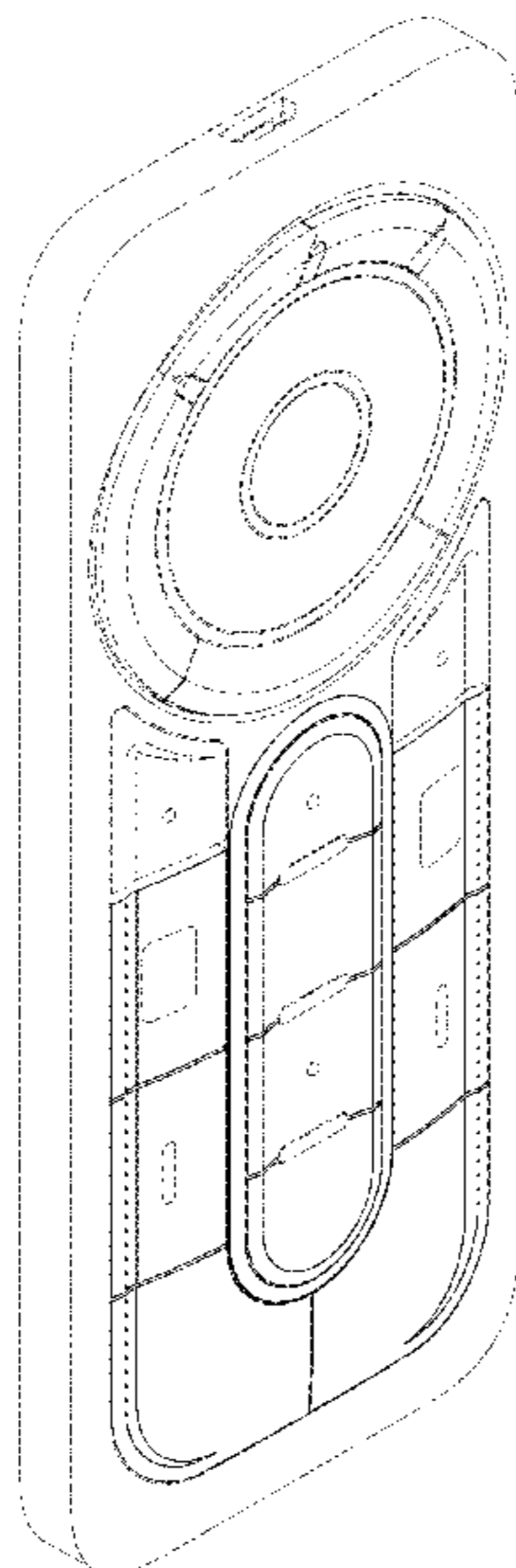
(56) **References Cited**

U.S. PATENT DOCUMENTS

D550,168 S * 9/2007 Chang D13/168
D552,601 S * 10/2007 Oota D14/218
D602,474 S * 10/2009 Hansen D14/218
D634,734 S * 3/2011 Cho D14/218
D693,333 S * 11/2013 Joe D14/218

FIG. 1 is a top front perspective view of a remote controller for coordinate input device showing my new design;
FIG. 2 is a front view of the remote controller for coordinate input device of FIG. 1;
FIG. 3 is a left side view of the remote controller for coordinate input device of FIG. 1;
FIG. 4 is a right side view of the remote controller for coordinate input device of FIG. 1;
FIG. 5 is a top view of the remote controller for coordinate input device of FIG. 1;
FIG. 6 is a bottom view of the remote controller for coordinate input device of FIG. 1;
FIG. 7 is a cross-sectional view of the remote controller for coordinate input device of FIG. 1 along line 7-7 in FIG. 2; and,
FIG. 8 is a rear view of the remote controller for coordinate input device of FIG. 1.
The broken lines show portions of the remote controller for coordinate input device which form no part of the claimed design.

1 Claim, 5 Drawing Sheets



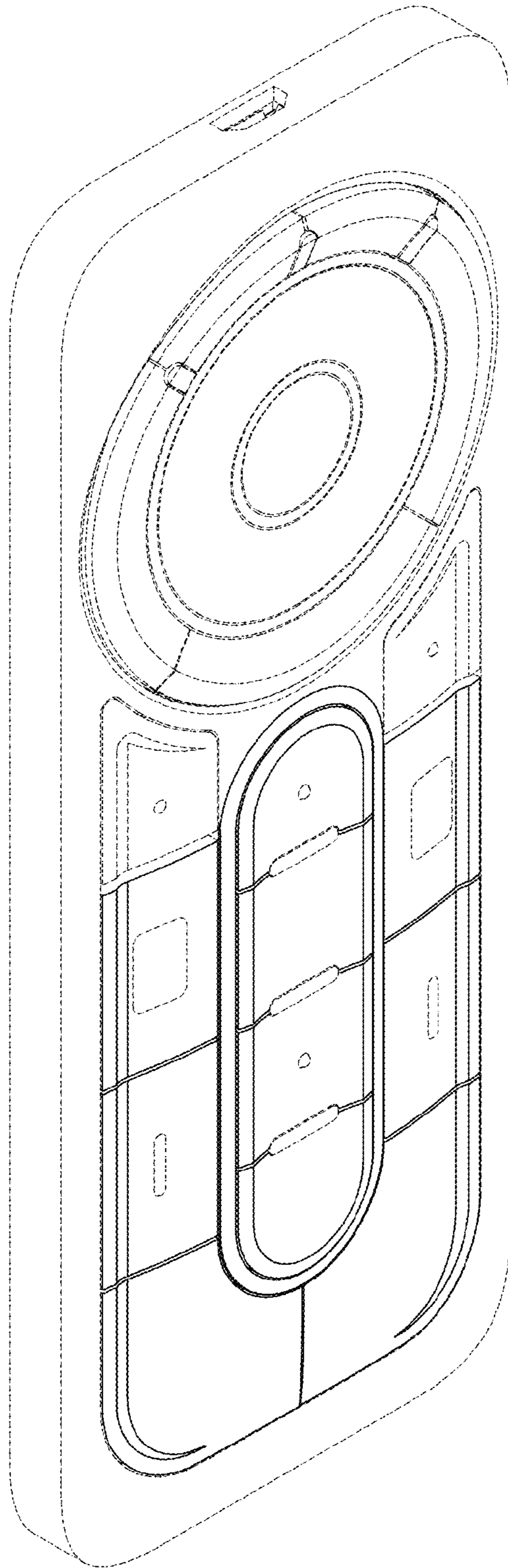


FIG. 1

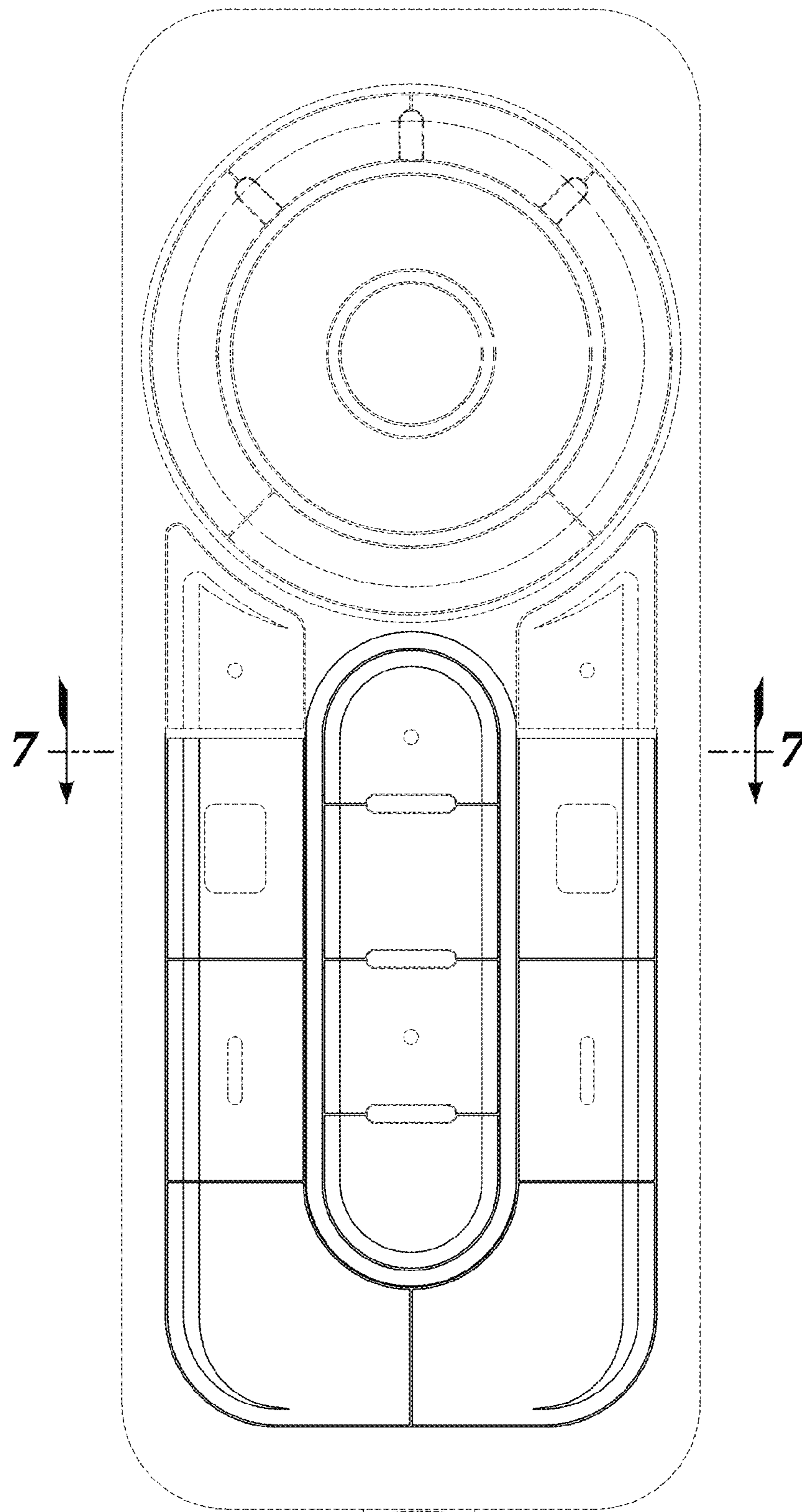


FIG. 2

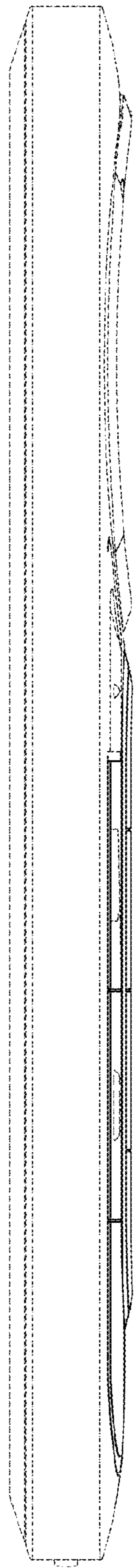


FIG. 3

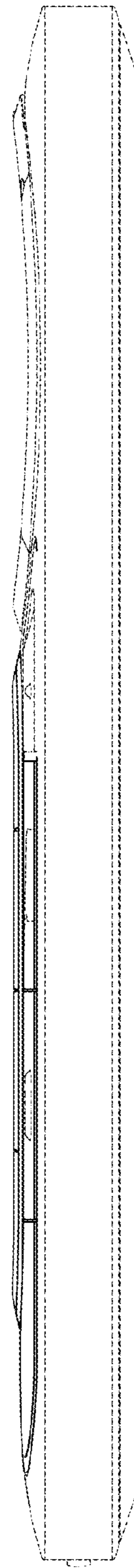


FIG. 4

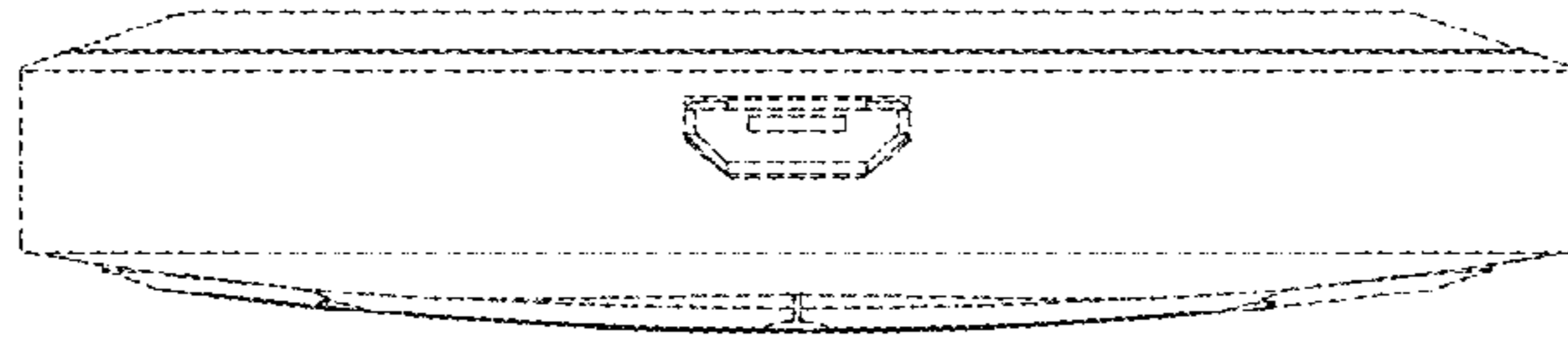


FIG. 5

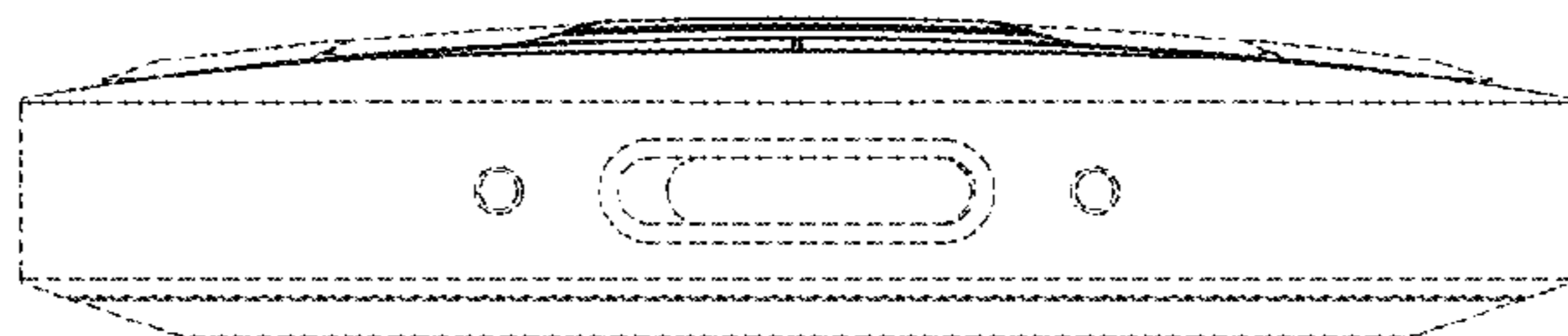


FIG. 6

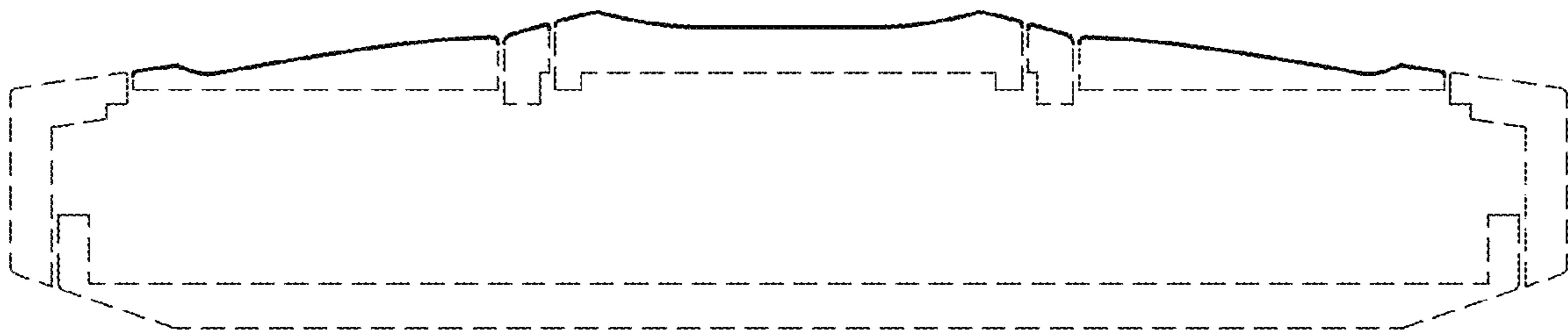


FIG. 7

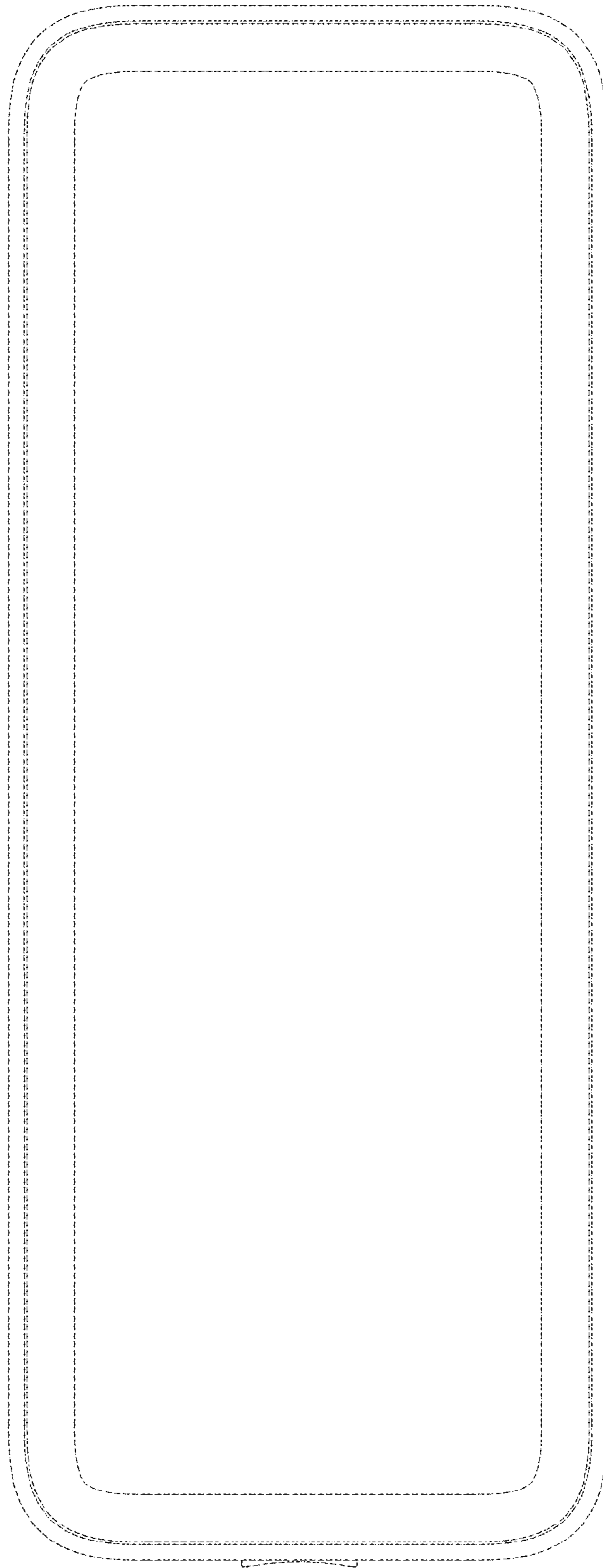


FIG. 8