



US00D760194S

(12) **United States Design Patent**  
**Kaplan et al.**

(10) **Patent No.:** **US D760,194 S**  
(45) **Date of Patent:** **\*\* Jun. 28, 2016**

(54) **SPEAKER BOX**

(71) Applicant: **SSV WORKS, INC.**, Oxnard, CA (US)

(72) Inventors: **Trevor Kaplan**, Oxnard, CA (US);  
**Nathan Perkins**, Camarillo, CA (US)

(73) Assignee: **SSV WORKS, INC.**, Oxnard, CA (US)

(\*\*) Term: **14 Years**

(21) Appl. No.: **29/507,981**

(22) Filed: **Oct. 31, 2014**

(51) **LOC (10) Cl.** ..... **14-03**

(52) **U.S. Cl.**  
USPC ..... **D14/215**

(58) **Field of Classification Search**

USPC ..... D14/167, 168, 170–172, 188, 194–196,  
D14/204, 207, 209.1, 210–216, 219, 221,  
D14/222, 224, 496; 181/143, 144, 147, 148,  
181/150, 153, 157, 198, 199; 381/300–303,  
381/306, 332, 333, 336, 345, 361–364,  
381/386–388; 369/6–12  
CPC .... B60R 11/0217; G06F 1/1688; H04M 1/03;  
H04M 1/035; H04R 1/02; H04R 1/06; H04R  
1/021; H04R 1/025; H04R 1/026; H04R  
1/028; H04R 1/105; H04R 1/323; H04R  
1/403; H04R 1/2803; H04R 1/2834; H04R  
5/02; H04R 7/20; H04R 9/06; H04R 9/025;  
H04R 2201/021; H04R 2400/00; H04R  
2400/07; H04R 2499/11; H04R 2499/13;  
H04R 2499/15; H04S 3/00; H04S 7/30

See application file for complete search history.

(56) **References Cited**

U.S. PATENT DOCUMENTS

D596,618 S \* 7/2009 Zha ..... D14/203.8  
D635,550 S \* 4/2011 Chen ..... D14/214  
D688,227 S \* 8/2013 Lee ..... D14/209.1  
D690,738 S \* 10/2013 York ..... D14/188  
D731,464 S \* 6/2015 Valeur ..... D14/211

\* cited by examiner

*Primary Examiner* — Keli L Hill

(74) *Attorney, Agent, or Firm* — Koppel, Patrick, Hebyl & Philpott

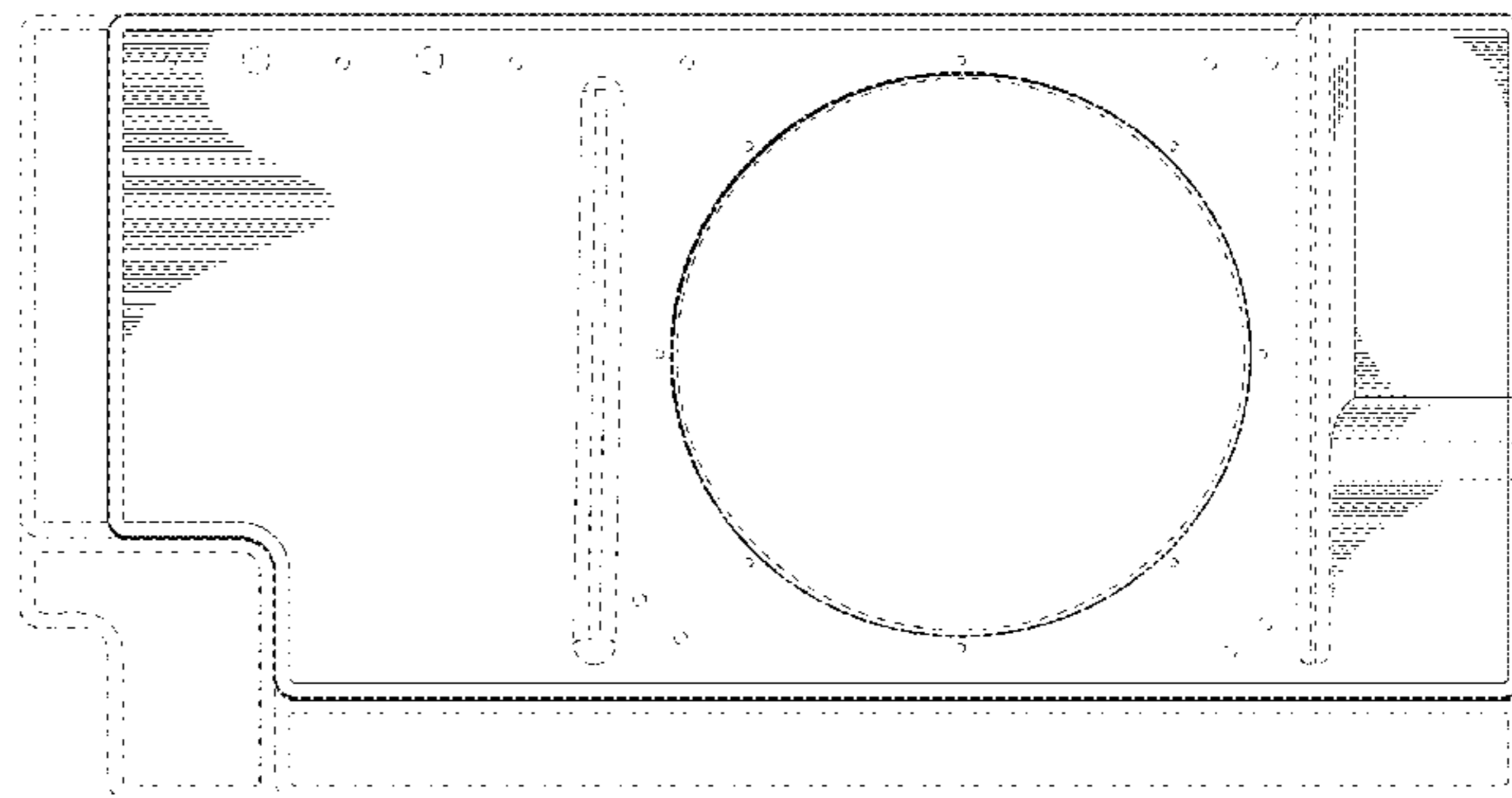
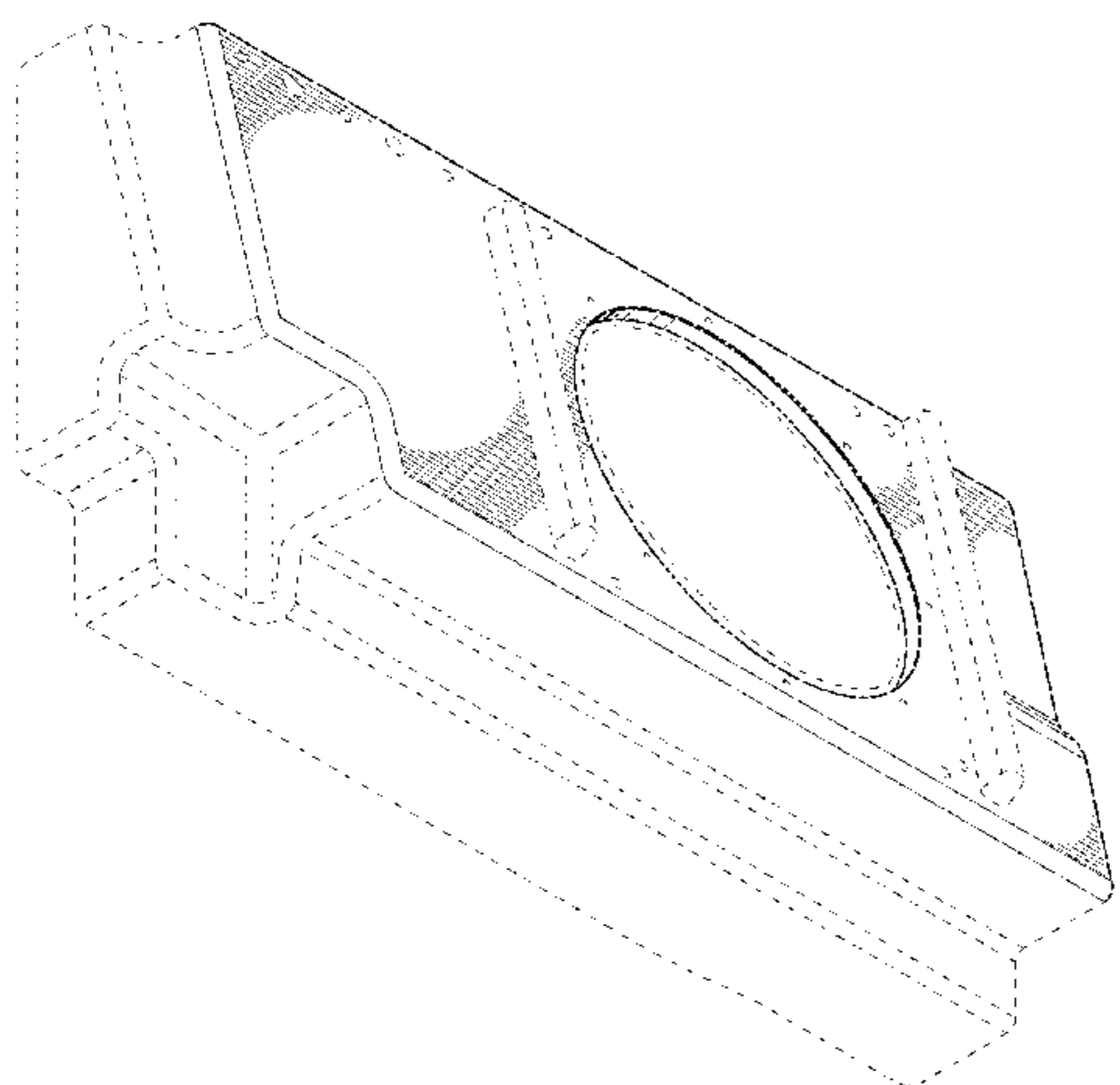
(57) **CLAIM**

The ornamental design for a speaker box, as shown and described.

**DESCRIPTION**

FIG. 1 is a bottom, front, left side perspective view of a speaker box embodying a novel design; FIG. 2 is a front elevation view thereof; FIG. 3 is a rear elevation view thereof; FIG. 4 is a left side elevation view thereof; FIG. 5 is a right side elevation view thereof; FIG. 6 is a top plan view thereof; and, FIG. 7 is a bottom plan view thereof. The broken lines shown are included for the purpose of illustrating portions of the speaker box that form no part of the claimed design.

**1 Claim, 5 Drawing Sheets**



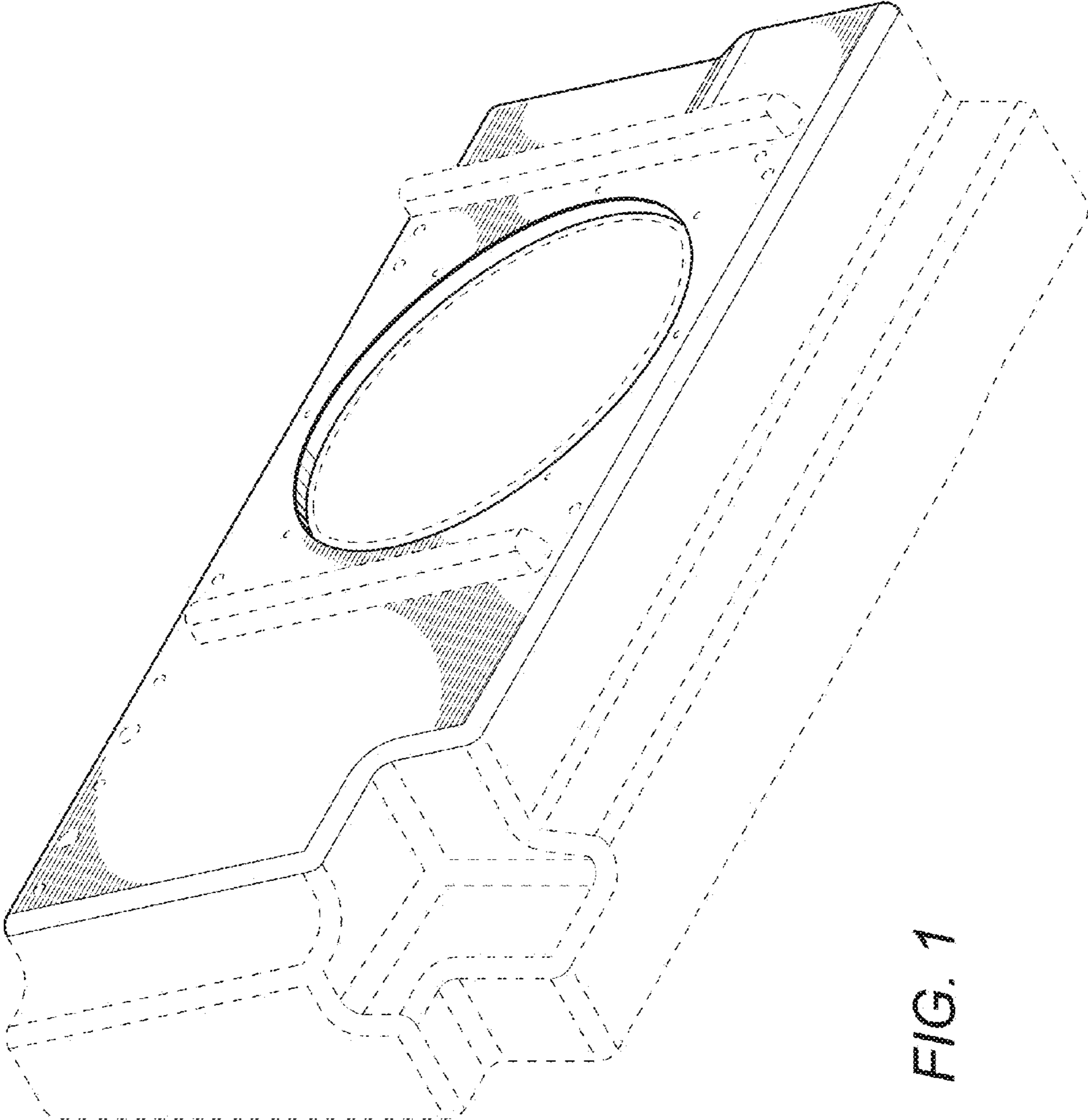


FIG. 1

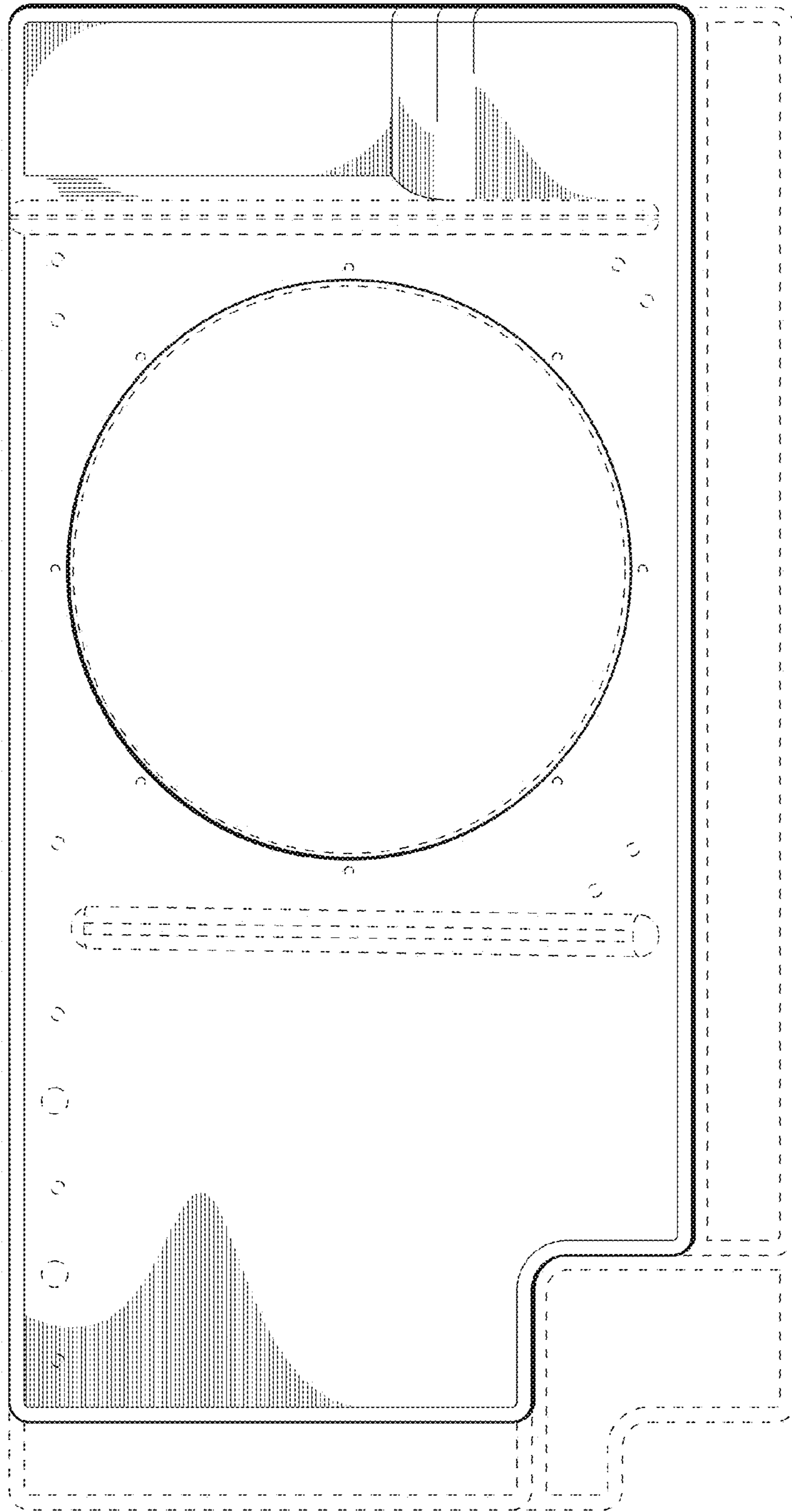


FIG. 2

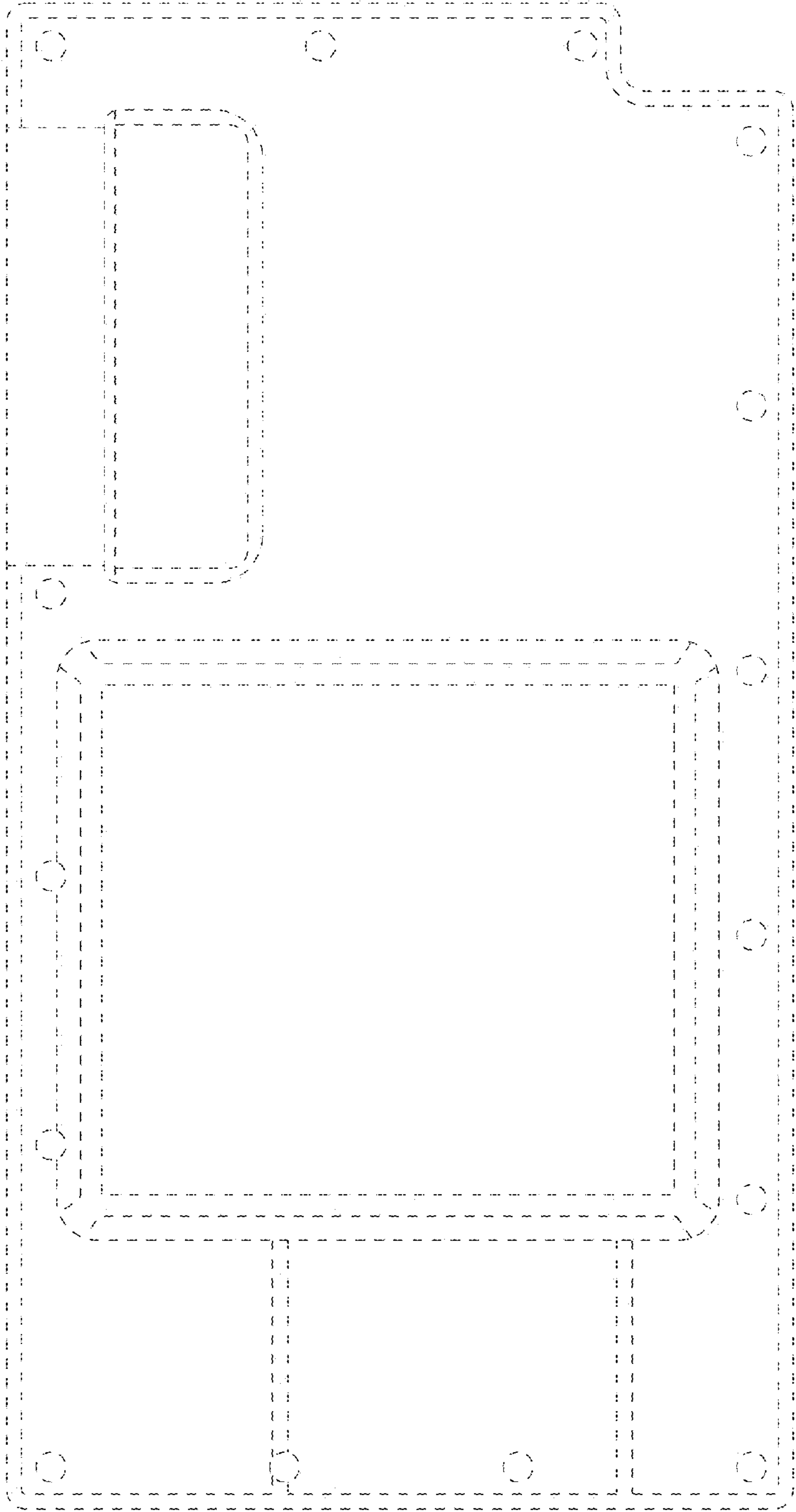


FIG. 3

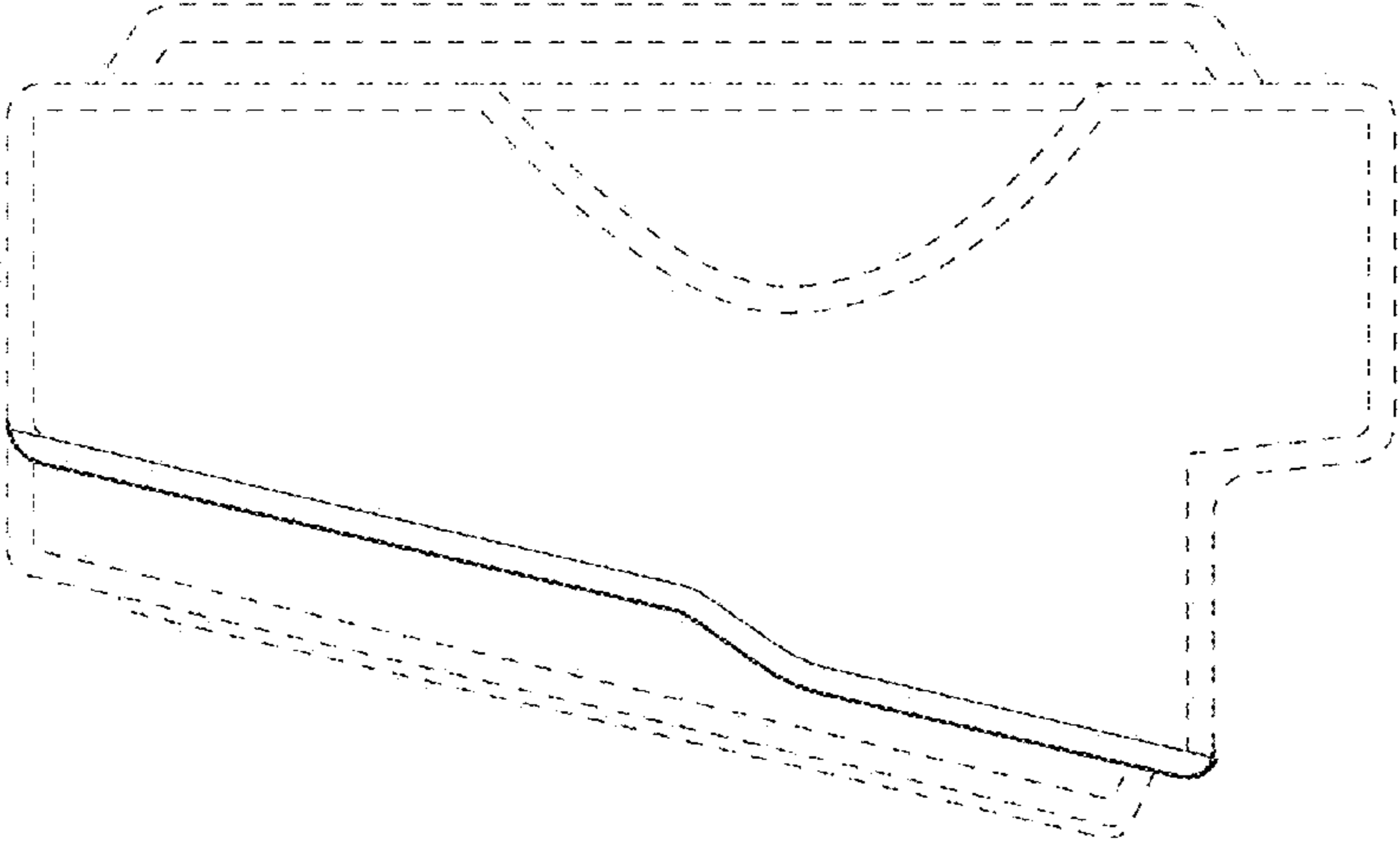


FIG. 5

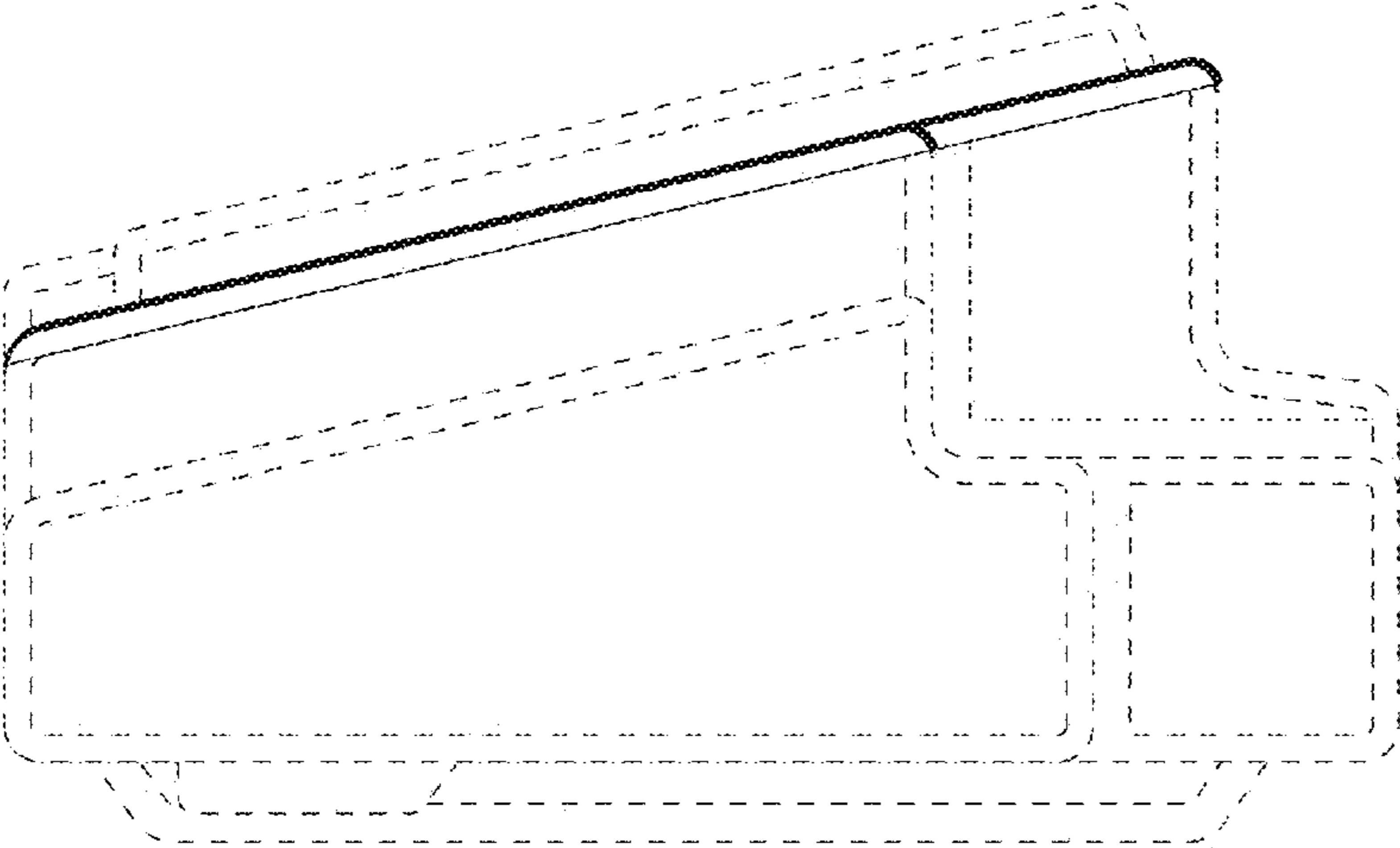


FIG. 4

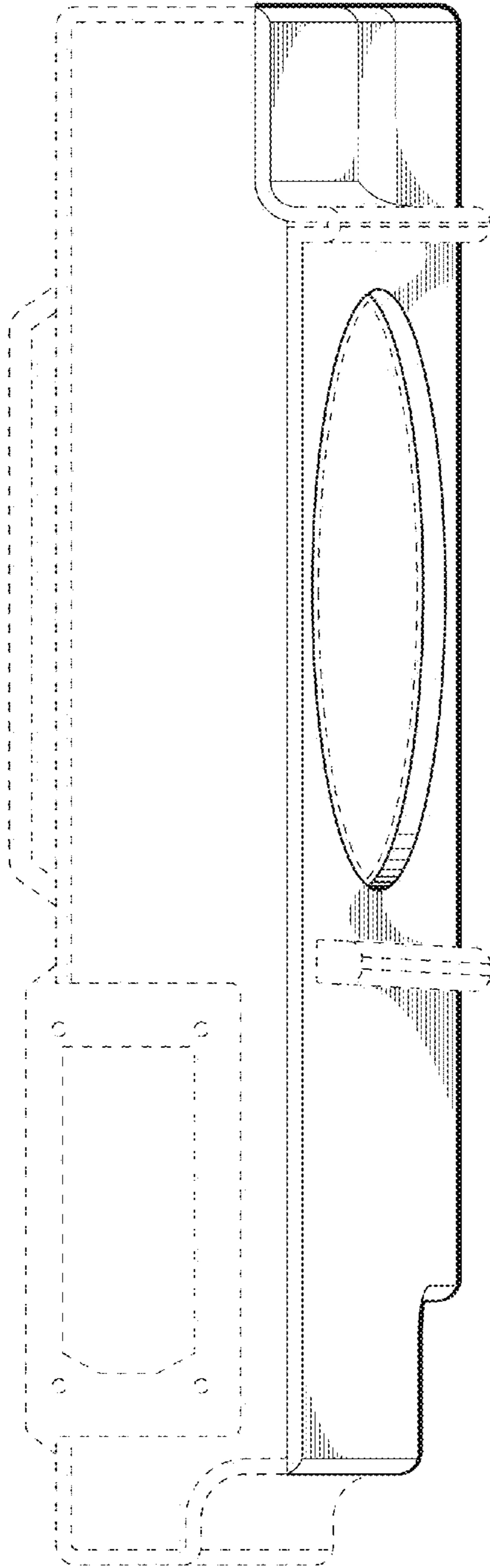


FIG. 6

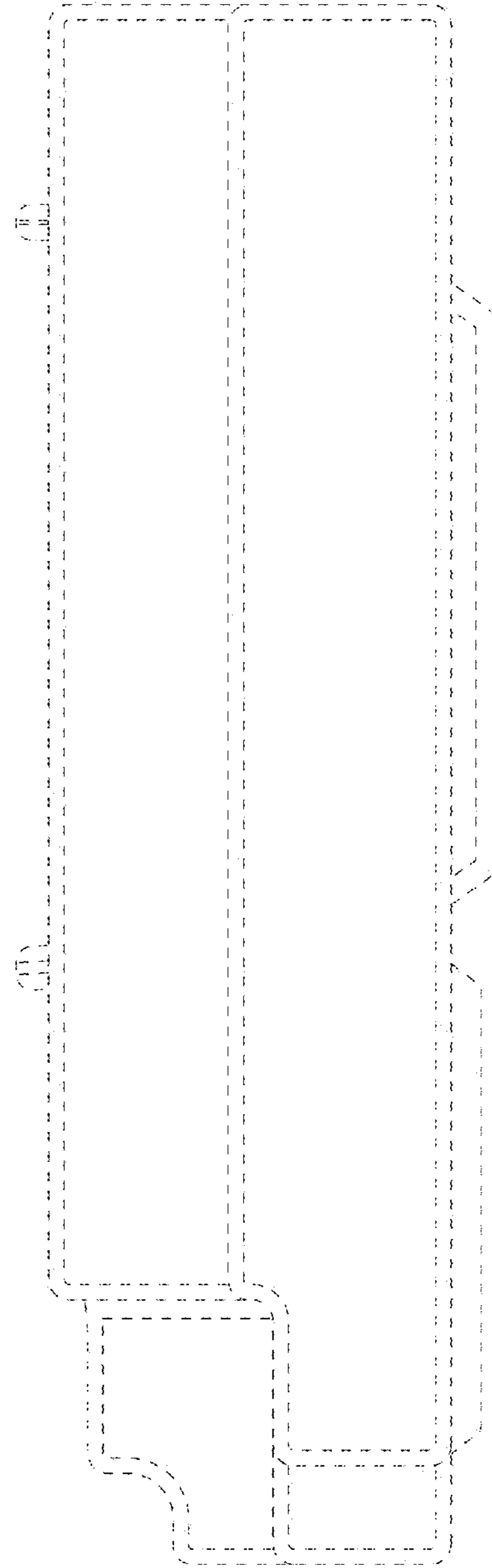


FIG. 7