



US00D760193S

(12) **United States Design Patent**
Vassilkov

(10) **Patent No.:** **US D760,193 S**
(45) **Date of Patent:** **** Jun. 28, 2016**

(54) **LOUDSPEAKERS**

(71) Applicant: **Alfred Vassilkov**, Tallinn (EE)

(72) Inventor: **Alfred Vassilkov**, Tallinn (EE)

(**) Term: **14 Years**

(21) Appl. No.: **29/501,708**

(22) Filed: **Sep. 8, 2014**

(30) **Foreign Application Priority Data**

Mar. 7, 2014 (EM) 002420224-0001

(51) **LOC (10) Cl.** **14-03**

(52) **U.S. Cl.**
USPC **D14/215**; D14/213

(58) **Field of Classification Search**
USPC D14/167, 168, 170–172, 188, 194–196,
D14/204, 207, 209.1, 210–216, 219, 221,
D14/222, 224, 496; 181/143, 144, 147, 148,
181/150, 153, 157, 198, 199; 381/300–303,
381/306, 332, 333, 336, 345, 361–364,
381/386–388; 369/6–12

CPC B60R 11/0217; G06F 1/1688; H04M 1/03;
H04M 1/035; H04R 1/02; H04R 1/06; H04R
1/021; H04R 1/025; H04R 1/026; H04R
1/028; H04R 1/105; H04R 1/323; H04R
1/403; H04R 1/2803; H04R 1/2834; H04R
5/02; H04R 7/20; H04R 9/06; H04R 9/025;
H04R 2201/021; H04R 2400/00; H04R
2400/07; H04R 2499/11; H04R 2499/13;
H04R 2499/15; H04S 3/00; H04S 7/30

See application file for complete search history.

(56) **References Cited**

U.S. PATENT DOCUMENTS

| | | | |
|--------------|---------|-------------------|---------|
| D327,067 S * | 6/1992 | Kohan | D14/215 |
| D329,234 S * | 9/1992 | Winkelbauer | D14/204 |
| D496,651 S * | 9/2004 | Borsboom | D14/216 |
| D518,025 S * | 3/2006 | Omori | D14/211 |
| D580,913 S * | 11/2008 | Omori | D14/215 |
| D593,990 S * | 6/2009 | Xie | D14/168 |
| D595,261 S * | 6/2009 | Xie | D14/168 |
| D659,120 S * | 5/2012 | Kim | D14/211 |
| D712,876 S * | 9/2014 | Ko | D14/211 |
| D712,877 S * | 9/2014 | Ko | D14/211 |
| D736,739 S * | 8/2015 | Son | D14/204 |

* cited by examiner

Primary Examiner — Keli L Hill

(74) *Attorney, Agent, or Firm* — Nath, Goldberg & Meyer;
Jerald L. Meyer

(57) **CLAIM**

The ornamental design for loudspeakers, as shown and described.

DESCRIPTION

FIG. 1 is a perspective view of loudspeakers showing the new design;

FIG. 2 is a second perspective view thereof, with the upper portion shown in an alternate position;

FIG. 3 is a third perspective view thereof, with the upper portion shown in an alternate position;

FIG. 4 is a side view thereof;

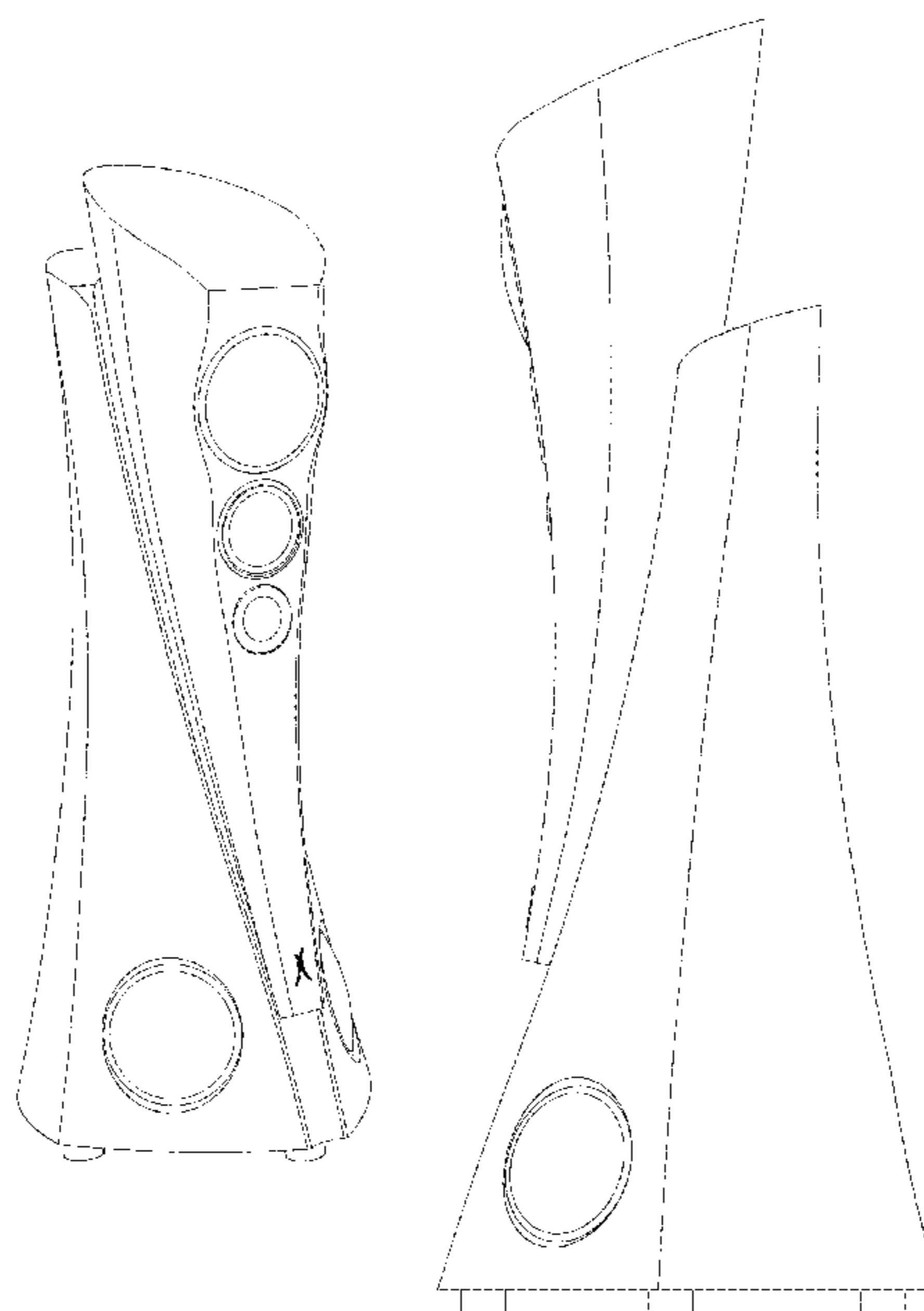
FIG. 5 is a side view thereof;

FIG. 6 is a front view thereof; and,

FIG. 7 is a rear view thereof.

The broken lines shown are included for the purpose of illustrating portions of the loudspeakers that form no part of the claim.

1 Claim, 7 Drawing Sheets



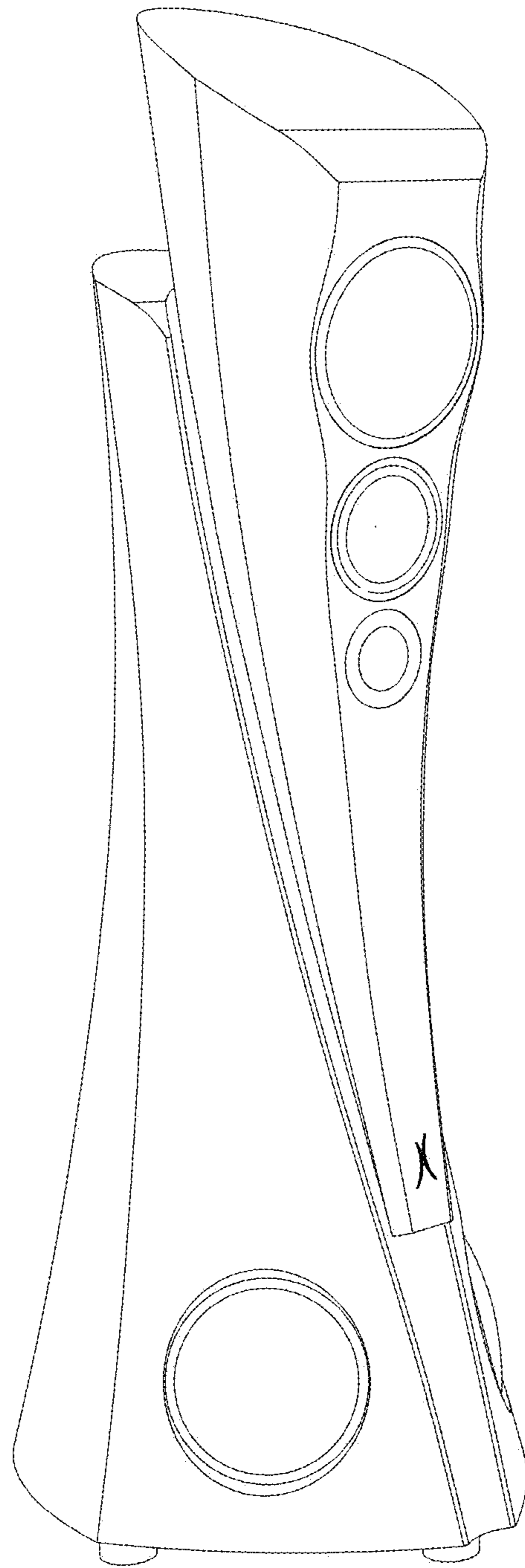


Figure 1

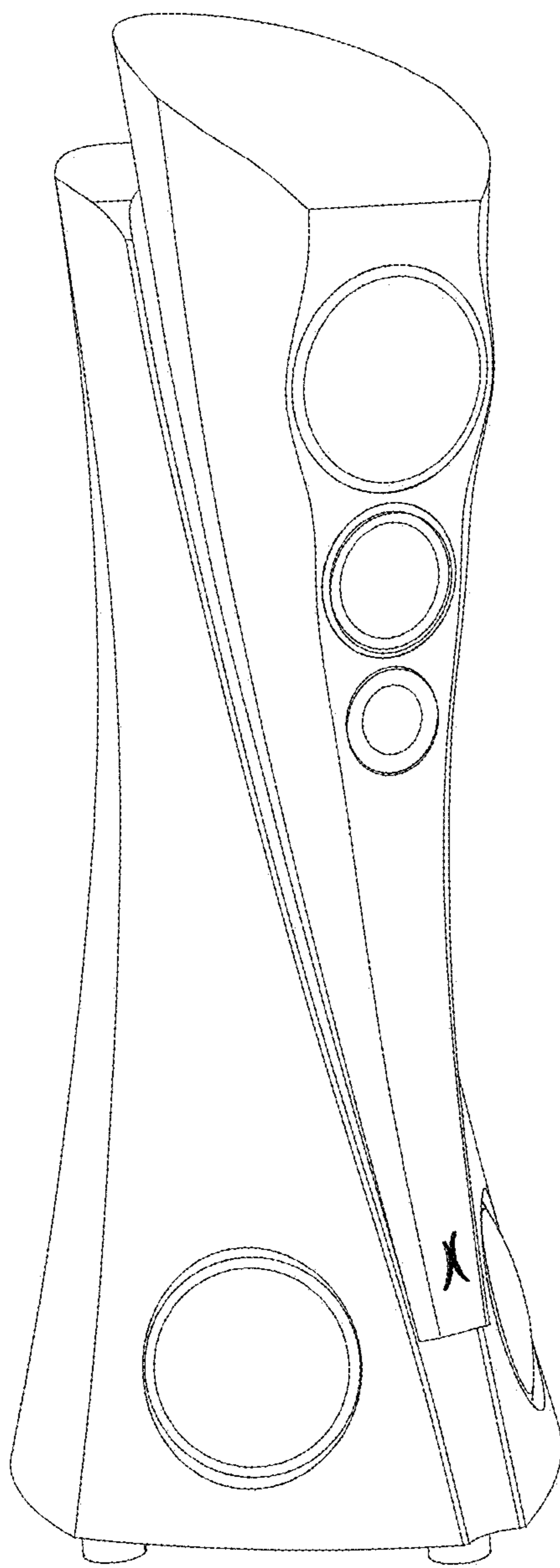


Figure 2

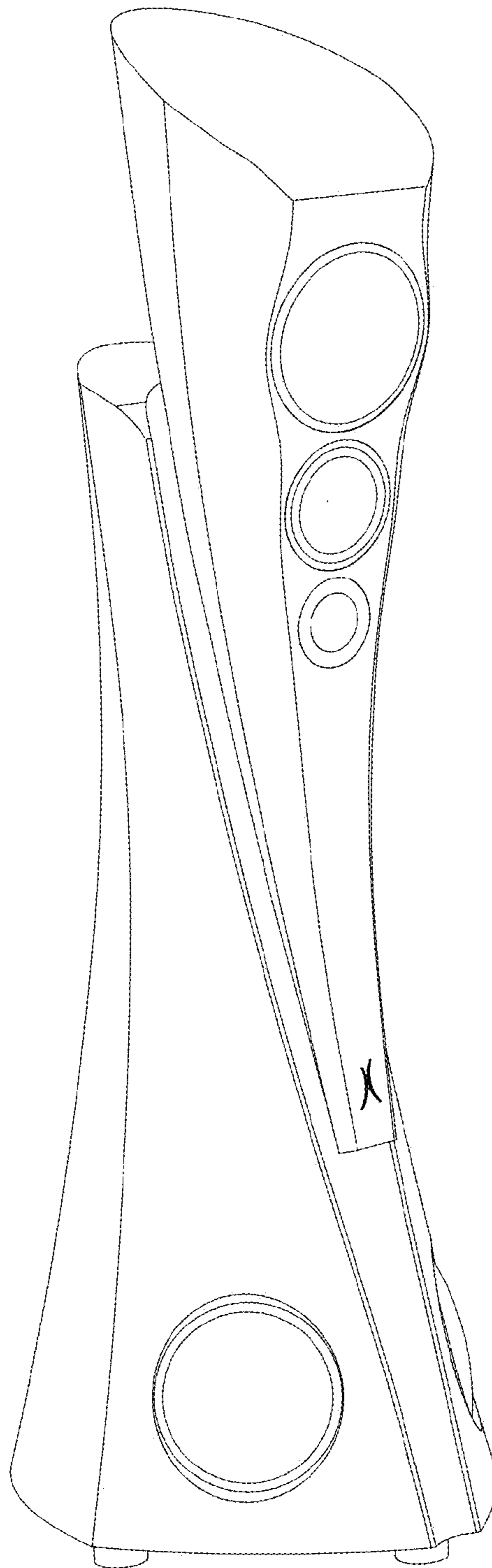


Figure 3

Fig. 4

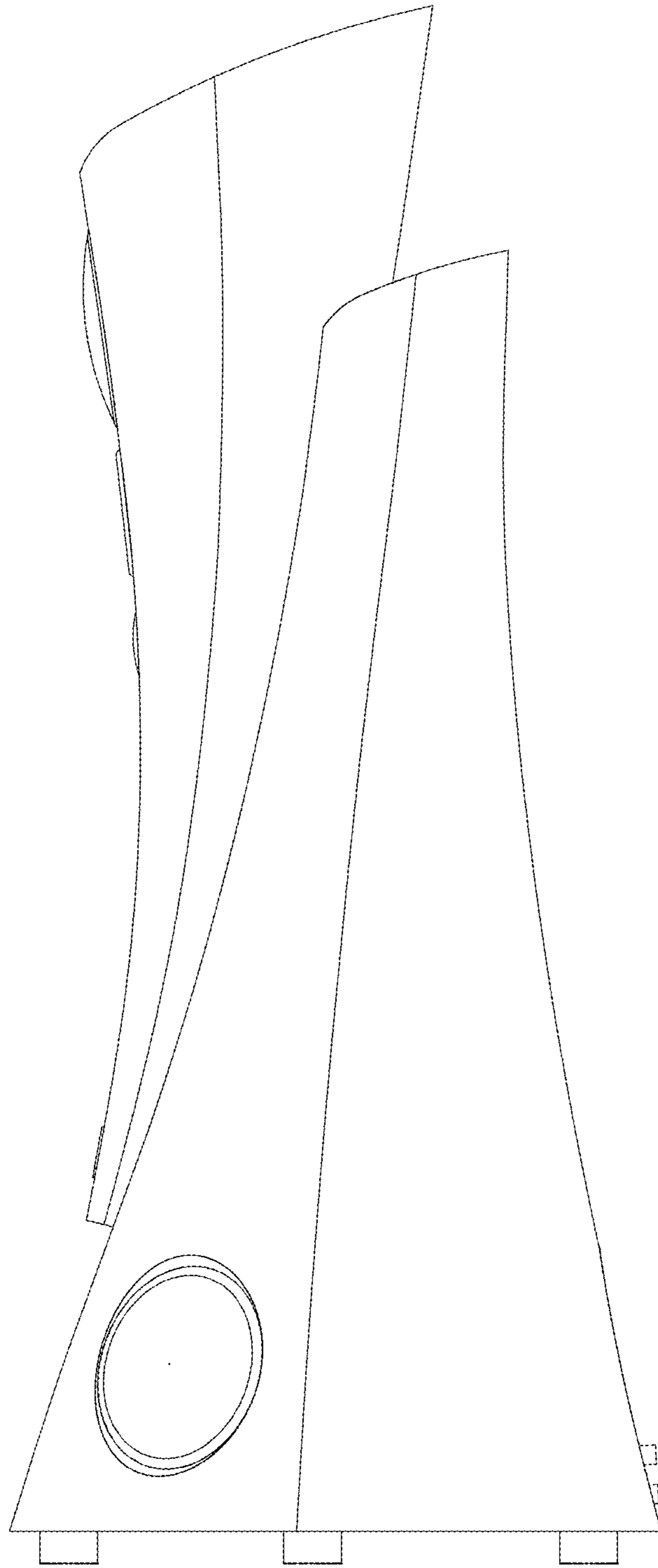
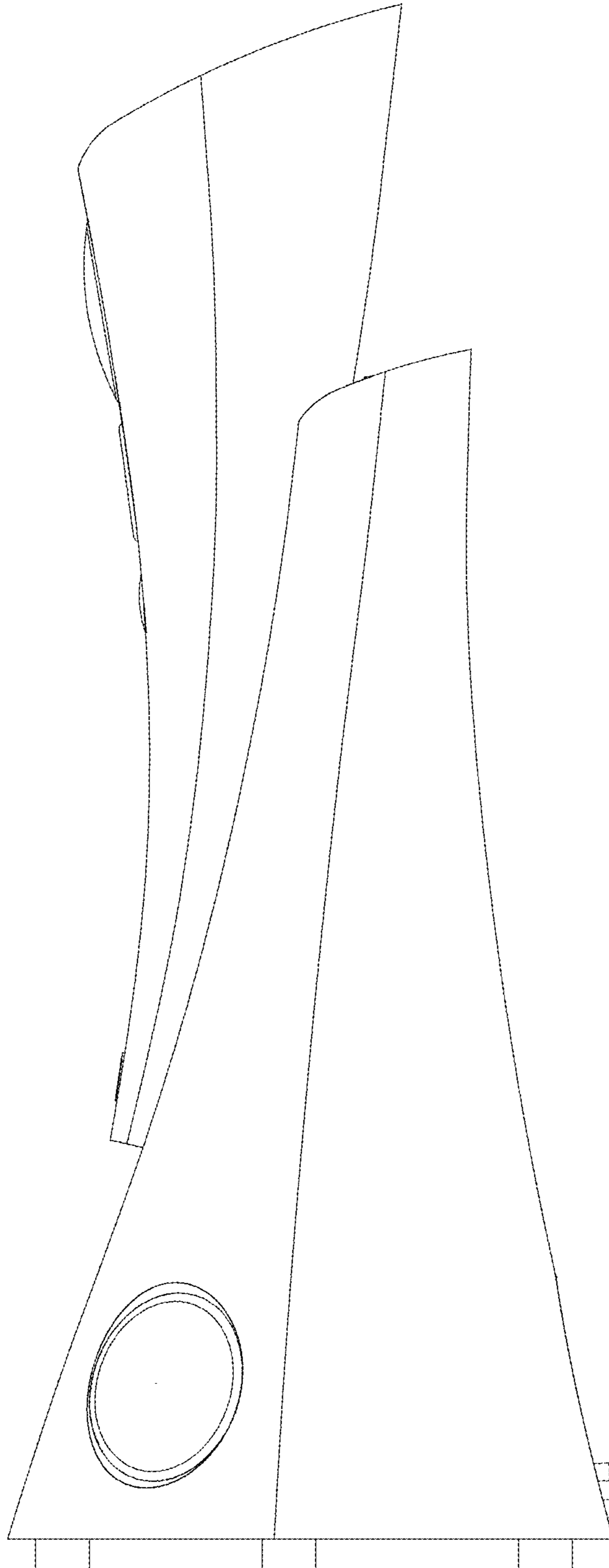


Fig. 5



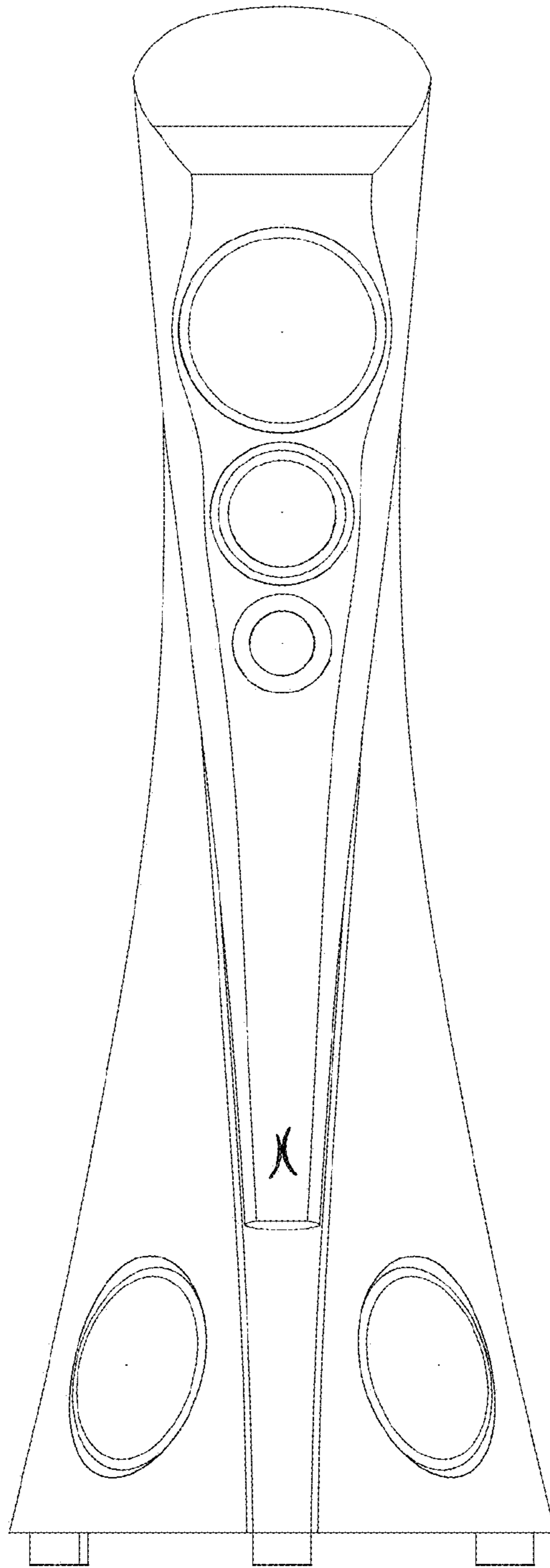


Figure 6

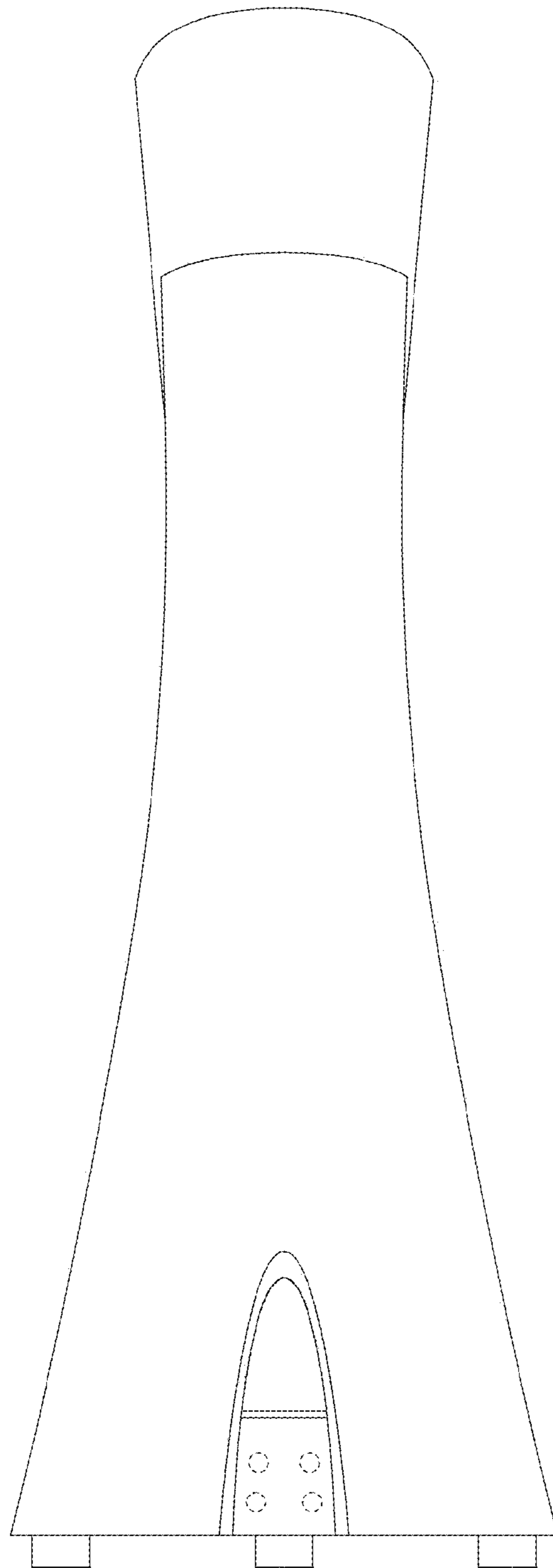


Figure 7