

US00D760192S

(12) **United States Design Patent**
Espinosa et al.

(10) **Patent No.:** **US D760,192 S**
(45) **Date of Patent:** **** Jun. 28, 2016**

- (54) **ARRAYABLE LOUDSPEAKER**
- (71) Applicant: **Meyer Sound Laboratories, Incorporated**, Berkeley, CA (US)
- (72) Inventors: **Pablo Espinosa**, Pleasanton, CA (US); **Jon M Arneson**, Napa, CA (US); **Katrin Rawks**, El Cerrito, CA (US); **Michael Schneider**, Emeryville, CA (US); **Paul Bunning**, Berkeley, CA (US)
- (73) Assignee: **Meyer Sound Laboratories, Incorporated**, Berkeley, CA (US)
- (**) Term: **14 Years**
- (21) Appl. No.: **29/523,873**
- (22) Filed: **Apr. 14, 2015**
- (51) **LOC (10) Cl.** **14-03**
- (52) **U.S. Cl.**
USPC **D14/214; D14/215; D14/222**
- (58) **Field of Classification Search**
USPC D14/167, 168, 170-172, 188, 194-196, D14/204, 207, 209.1, 210-216, 219, 221, D14/222, 224, 239, 496; 181/143, 144, 147, 181/148, 150, 153, 157, 198, 199; 381/300-303, 306, 332, 333, 336, 345, 381/361-364, 386-388; 369/6-12
CPC B60R 11/0217; G06F 1/1688; H04M 1/03; H04M 1/035; H04R 1/02; H04R 1/06; H04R 1/021; H04R 1/025; H04R 1/026; H04R 1/028; H04R 1/105; H04R 1/323; H04R 1/403; H04R 1/2803; H04R 1/2834; H04R 5/02; H04R 7/20; H04R 9/06; H04R 9/025; H04R 2201/021; H04R 2400/00; H04R 2400/07; H04R 2499/11; H04R 2499/13; H04R 2499/15; H04S 3/00; H04S 7/30
See application file for complete search history.

- D405,794 S * 2/1999 Olsen D14/204
- D505,942 S * 6/2005 Meyer et al.
- D549,691 S * 8/2007 Gould D14/214
- D568,868 S * 5/2008 Baird D14/214
- D598,427 S * 8/2009 Moore D14/214
- D618,214 S * 6/2010 Wang D14/209.1

(Continued)

OTHER PUBLICATIONS

MICA: Compact High-Power Curvilinear Array Loudspeaker, Product Data Sheet, 2005, Meyer Sound Laboratories, Inc. U.S.

(Continued)

Primary Examiner — Keli L Hill

(74) *Attorney, Agent, or Firm* — Beeson Skinner Beverly, LLP

(57) **CLAIM**

The ornamental design for an arrayable loudspeaker, as shown and described.

DESCRIPTION

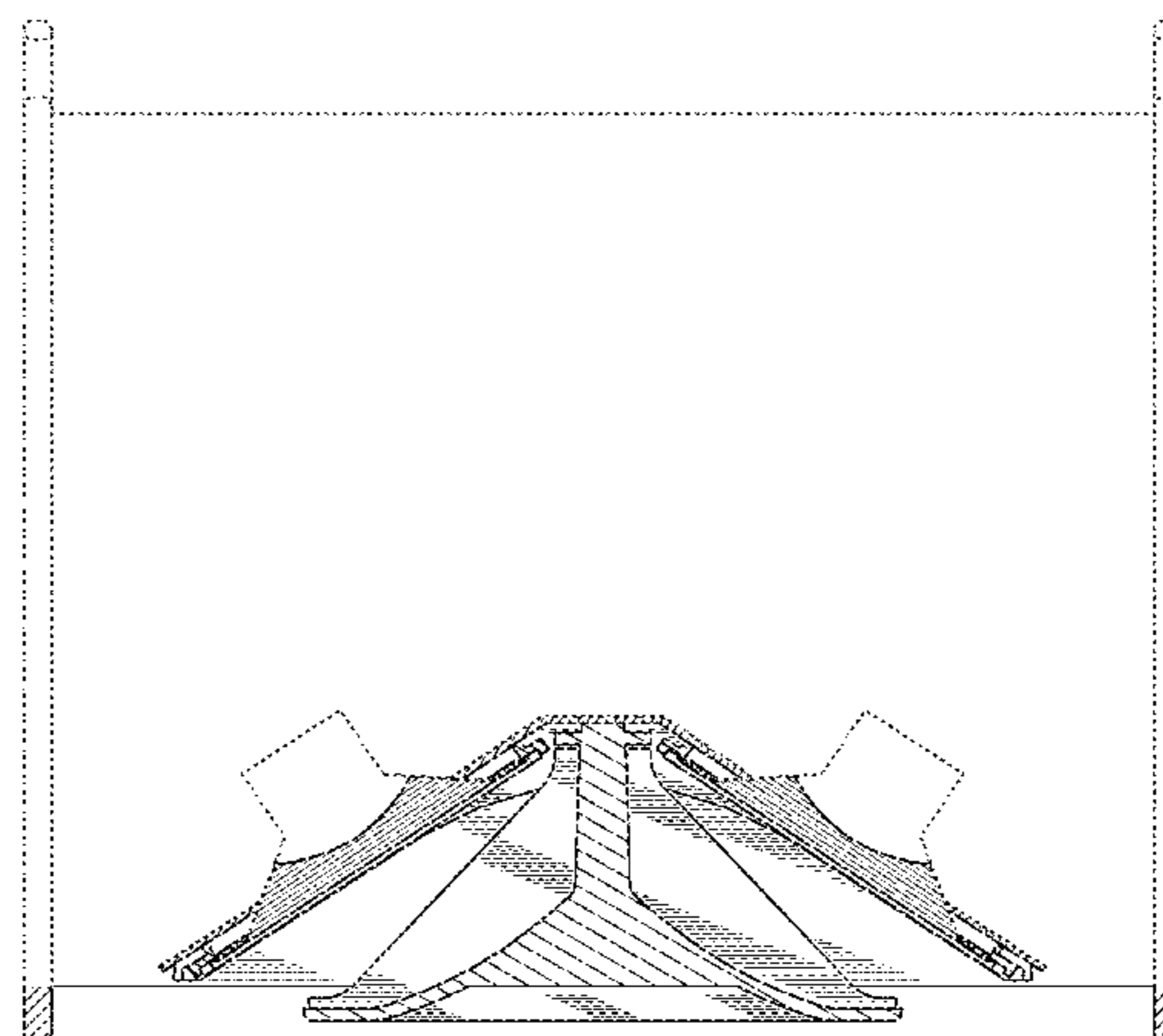
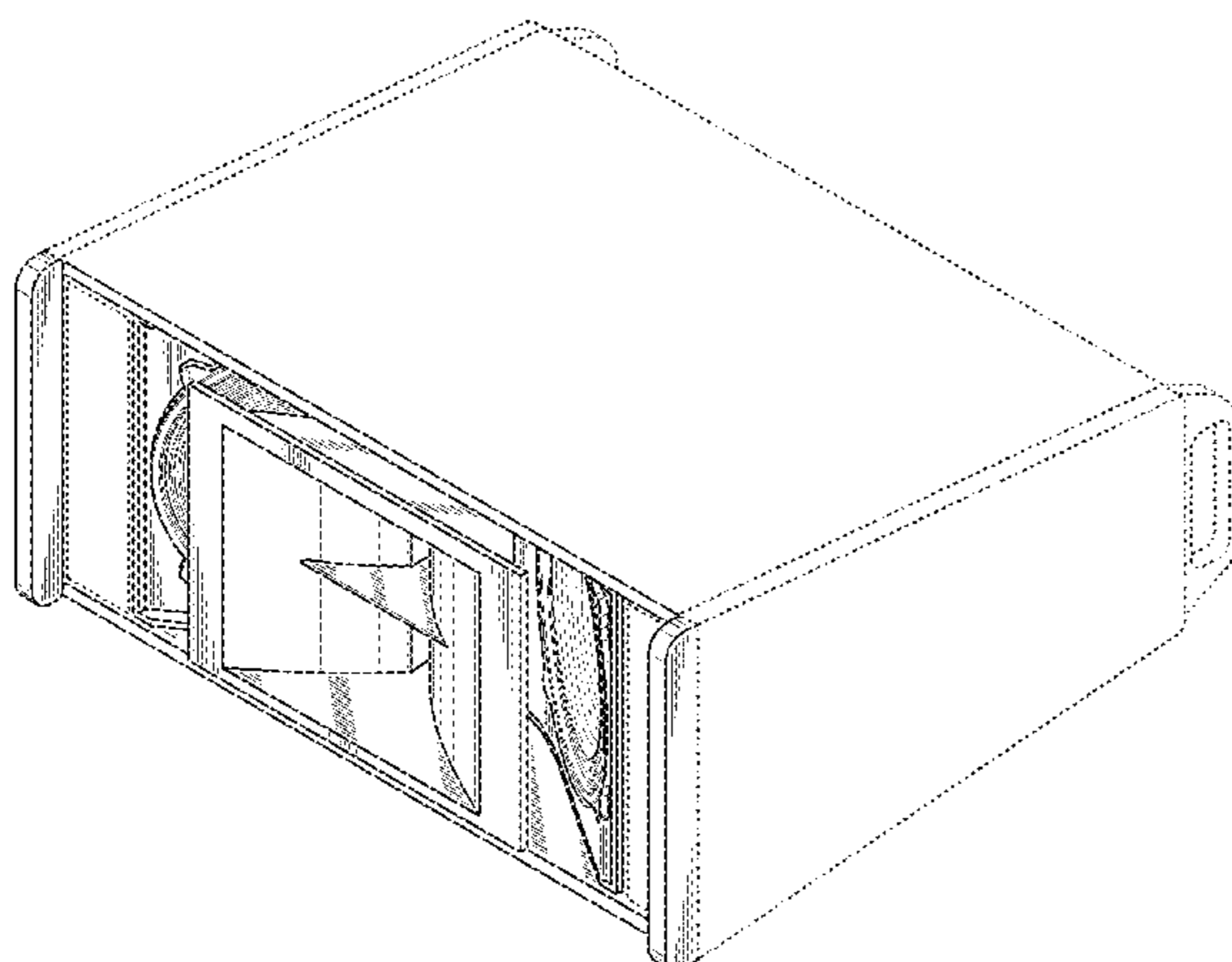
FIG. 1 is a top front perspective view of an arrayable loudspeaker showing our new design;
 FIG. 2 is a front elevational view thereof;
 FIG. 3 is a cross-sectional view thereof taken along section lines 3-3 in FIG. 2; and,
 FIG. 4 is a cross-sectional view thereof taken along section lines 4-4 in FIG. 2.

The broken lines shown in FIGS. 1 and 3-4 represent a cabinet for the arrayable loudspeaker; additional broken lines in FIG. 4 represent the backs of cone drivers of the arrayable loudspeaker. These broken lines form no part of the claimed design. The broken line rectangles at the front of the arrayable loudspeaker shown in FIGS. 1 and 2 represent boundary lines; the areas within the boundary lines contain unclaimed subject matter which forms no part of the claimed design.

1 Claim, 4 Drawing Sheets

(56) **References Cited**
U.S. PATENT DOCUMENTS

- 4,128,738 A 12/1978 Gallery
- D276,518 S * 11/1984 Clemans D14/214



(56)

References Cited

U.S. PATENT DOCUMENTS

7,845,462 B2 * 12/2010 Moore G10K 11/025
181/155
D631,867 S 2/2011 Arneson et al.
D695,715 S * 12/2013 Burlingame D14/214
D712,878 S * 9/2014 Azumi D14/204

OTHER PUBLICATIONS

UPA-2P: Compact Narrow Coverage Loudspeaker, Product Data Sheet, 2005, Meyer Sound Laboratories, Inc. U.S.
UPJ-1P: Compact VariO Loudspeaker, Product Data Sheet, 2005, Meyer Sound Laboratories, Inc. U.S.

UPA-1P: Compact Wide Coverage Loudspeaker, Product Data Sheet, 2005, Meyer Sound Laboratories, Inc. U.S.
M'Elodie: UltraCompact High-Power Curvilinear Array Loudspeaker, Product Data Sheet, 2006, Meyer Sound Laboratories, Inc. U.S.
JM-1P: Arrayable Loudspeaker, Product Data Sheet, 2009, Meyer Sound Laboratories, Inc. U.S.
MINA: Compact Curvilinear Array Loudspeaker, Product Data Sheet, 2010, Meyer Sound Laboratories, Inc. U.S.
UP-4XP: UltraCompact Loudspeaker, Product Data Sheet, 2014, Meyer Sound Laboratories, Inc. U.S.
Leo-M: Advanced Linear Array Loudspeaker, Product Data Sheet, 2014, Meyer Sound Laboratories, Inc. U.S.

* cited by examiner

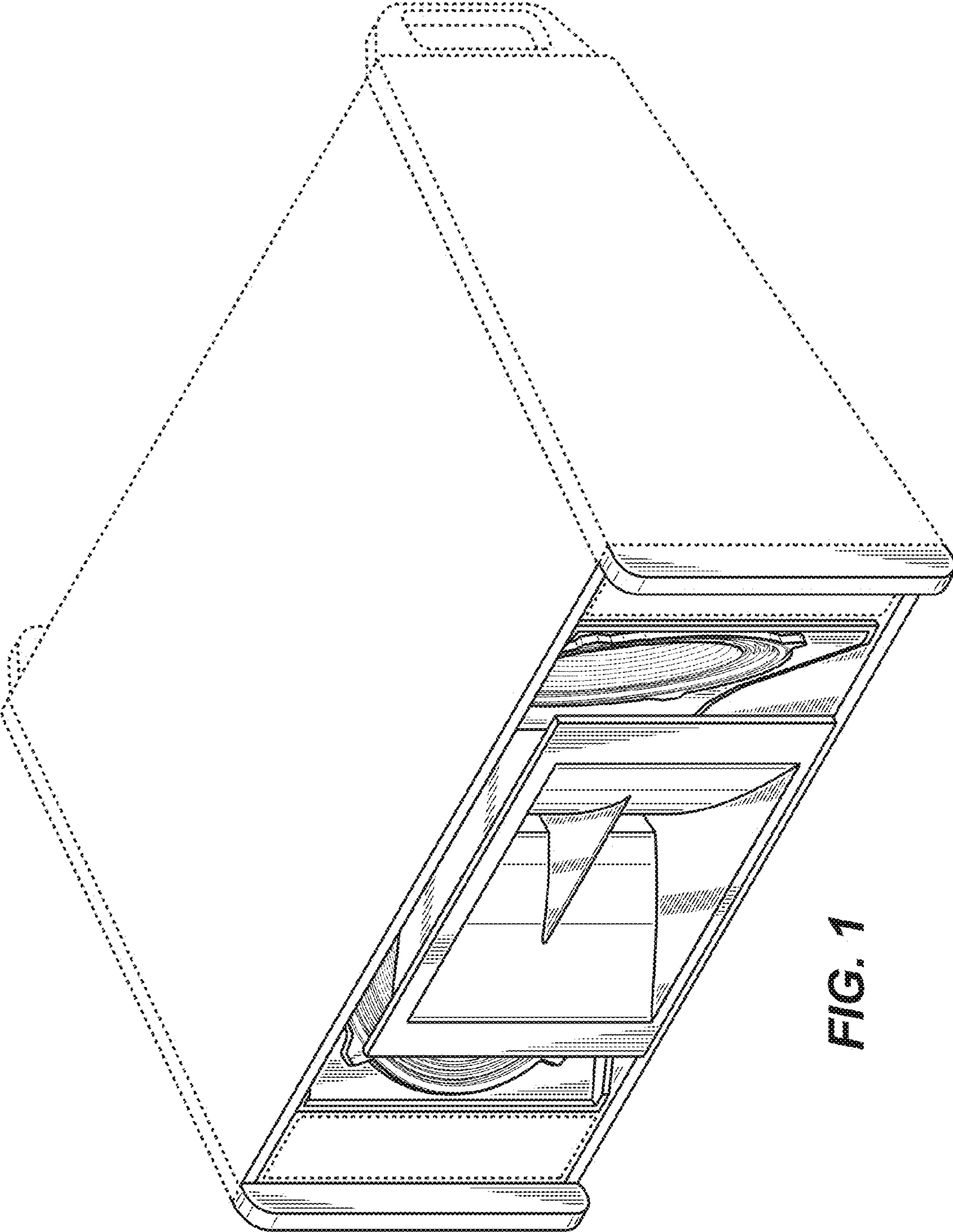


FIG. 1

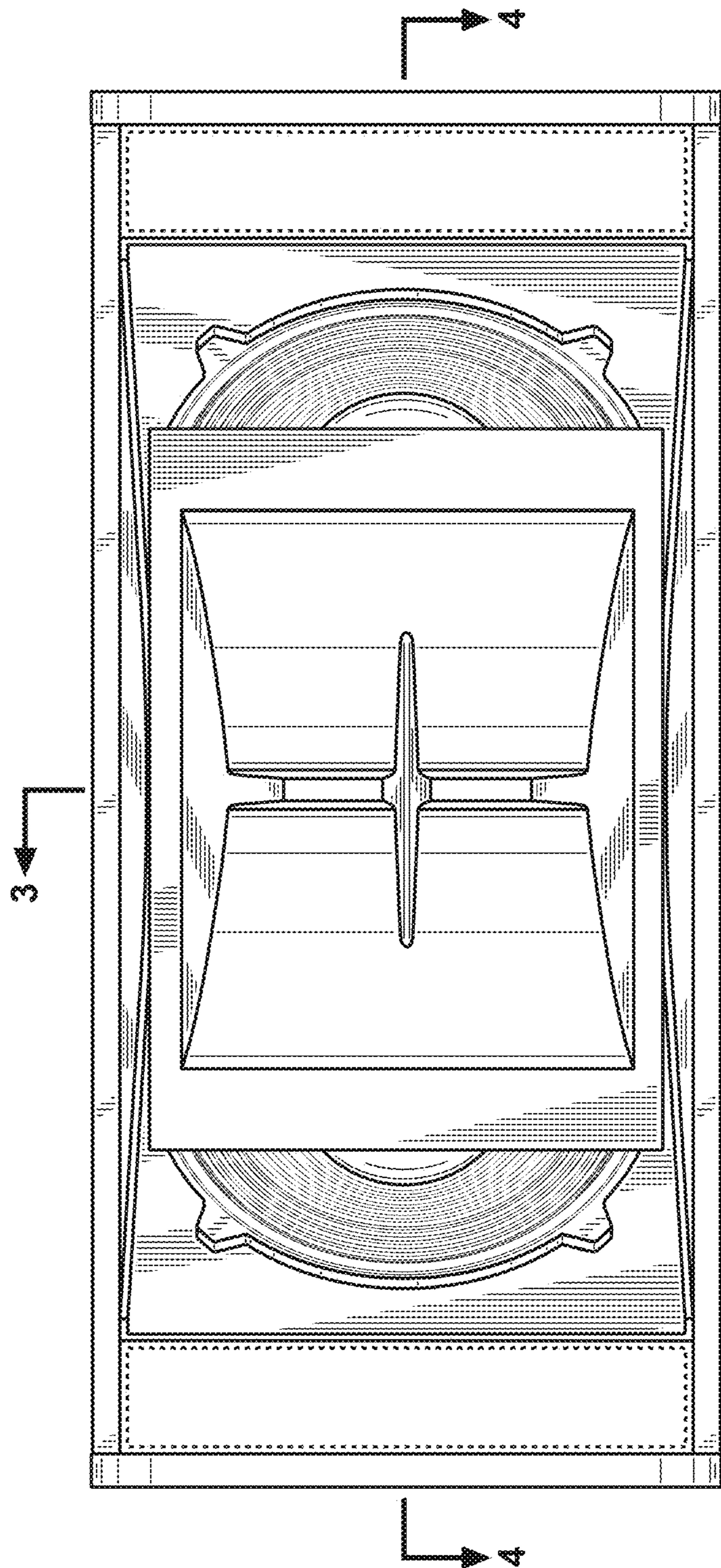


FIG. 2

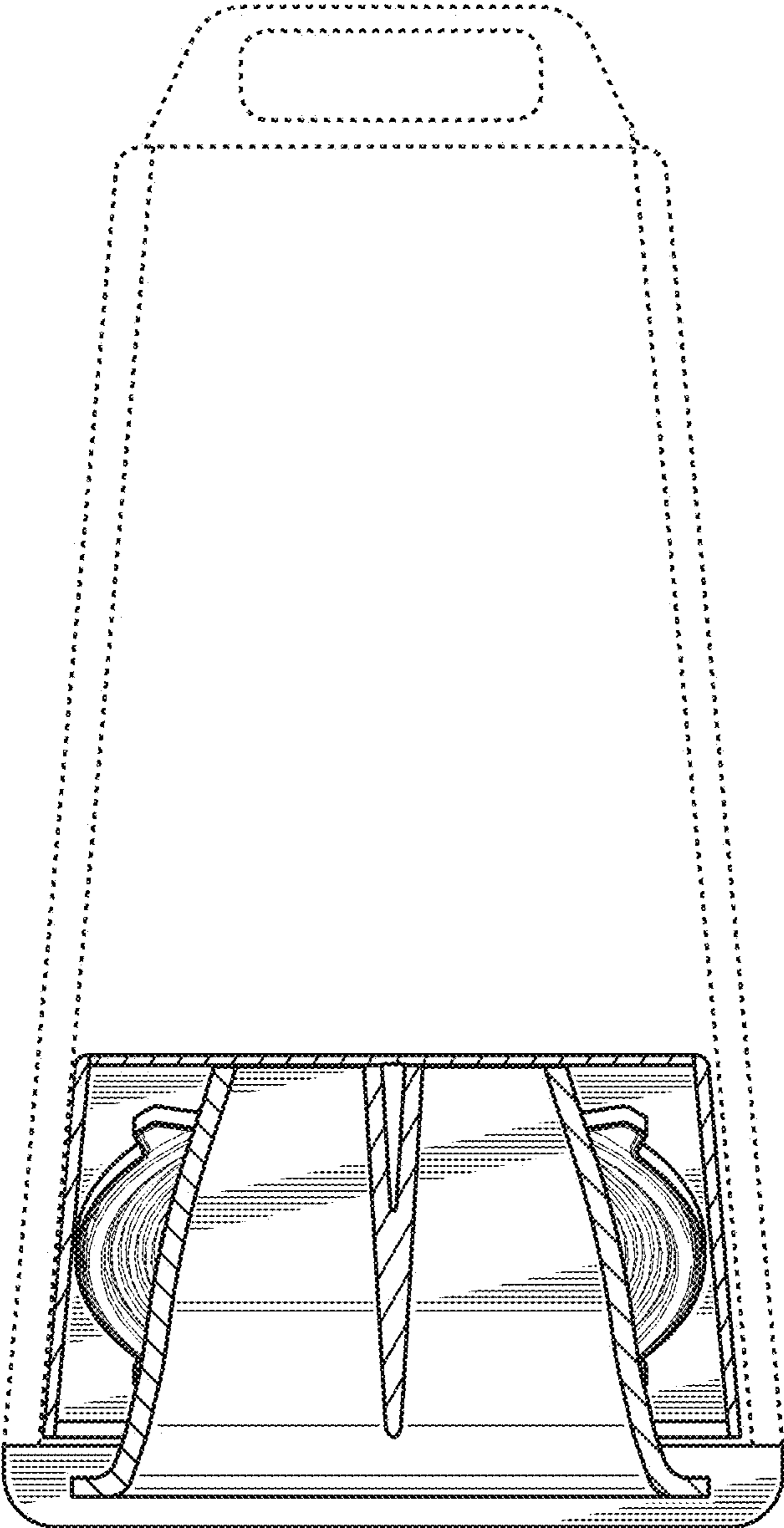


FIG. 3

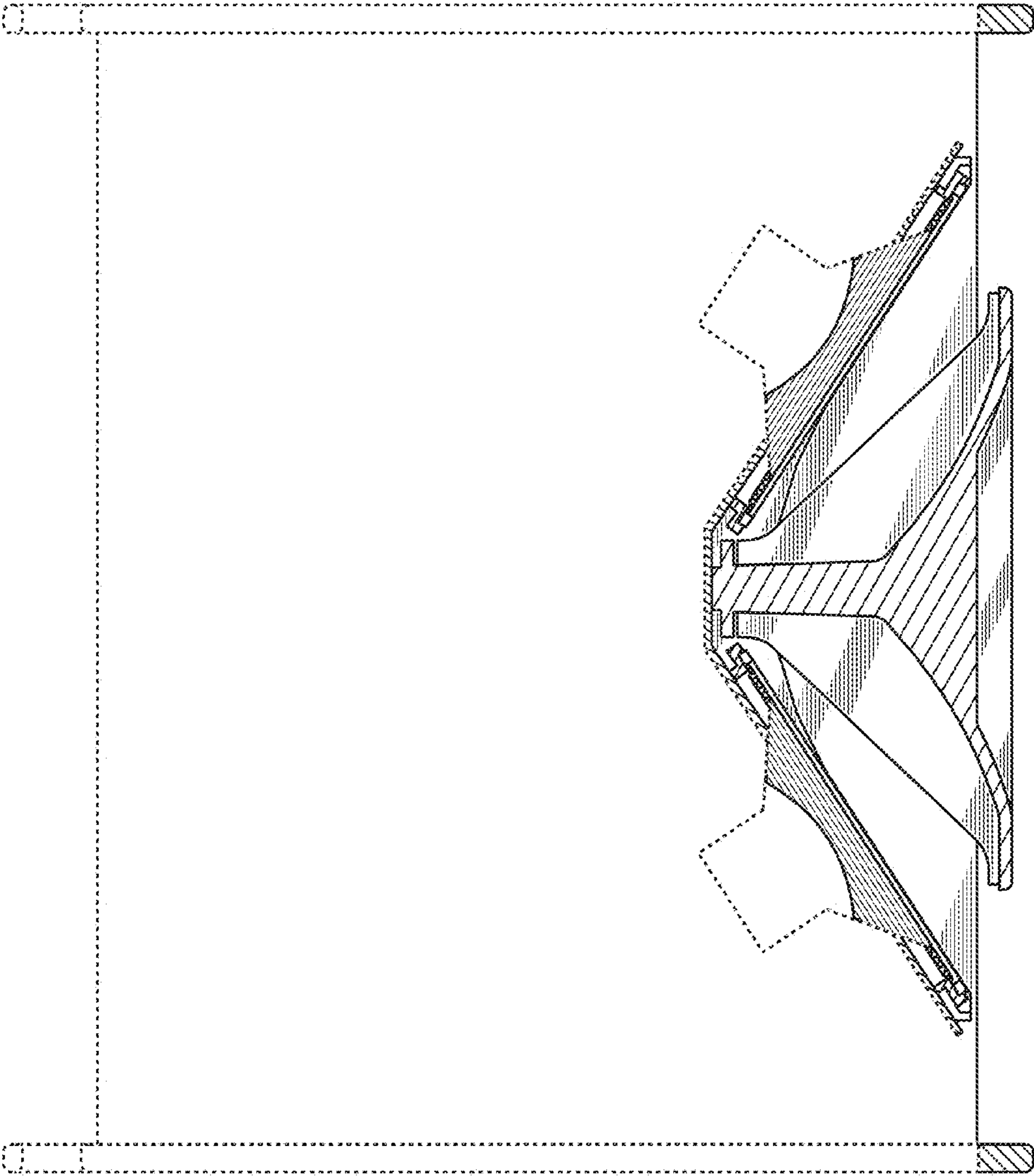


FIG. 4